



US00D962372S

(12) **United States Design Patent**
Nicolette

(10) **Patent No.:** **US D962,372 S**

(45) **Date of Patent:** **** Aug. 30, 2022**

(54) **GOLF CLUB HEAD**

(71) Applicant: **PARSONS XTREME GOLF, LLC**,
Scottsdale, AZ (US)

(72) Inventor: **Michael R. Nicolette**, Scottsdale, AZ
(US)

(73) Assignee: **PARSONS XTREME GOLF, LLC**,
Scottsdale, AZ (US)

(**) Term: **15 Years**

(21) Appl. No.: **29/829,161**

(22) Filed: **Mar. 3, 2022**

(51) **LOC (13) Cl.** **21-02**

(52) **U.S. Cl.**
USPC **D21/747**

(58) **Field of Classification Search**
USPC D21/747-751, 759
CPC A63B 53/00; A63B 53/04; A63B 53/02;
A63B 53/047; A63B 53/0475; A63B
2053/0479; A63B 2053/0483; A63B
2053/0445; A63B 60/00; A63B 60/46
See application file for complete search history.

(56) **References Cited**

U.S. PATENT DOCUMENTS

1,133,129	A	3/1915	Govan
D164,469	S	9/1951	Behrendt
D175,107	S	7/1955	Gordon
3,020,048	A	2/1962	Carroll
D203,936	S	3/1966	Long
D215,101	S	9/1969	Sabat
D234,963	S	4/1975	Hirata
D239,550	S	4/1976	Timbrook
D240,054	S	5/1976	Meissler
D244,792	S	6/1977	Gelinas
D250,136	S	10/1978	Gelinas
D261,167	S	10/1981	Swanson

D294,617	S	3/1988	Perkins	
4,754,977	A	7/1988	Sahm	
D298,643	S	* 11/1988	Mitsui	D21/750
4,824,116	A	4/1989	Nagamoto et al.	
4,988,104	A	1/1991	Shiotani et al.	
5,158,296	A	10/1992	Lee	
5,176,384	A	1/1993	Sata et al.	
5,213,328	A	5/1993	Long et al.	
D336,672	S	6/1993	Gorman	
D346,840	S	* 5/1994	Fenton	D21/751
D353,862	S	12/1994	Saito	

(Continued)

OTHER PUBLICATIONS

Pxg irons google search; google.com; Jun. 30, 2022.*

(Continued)

Primary Examiner — Mitchell I. Siegel

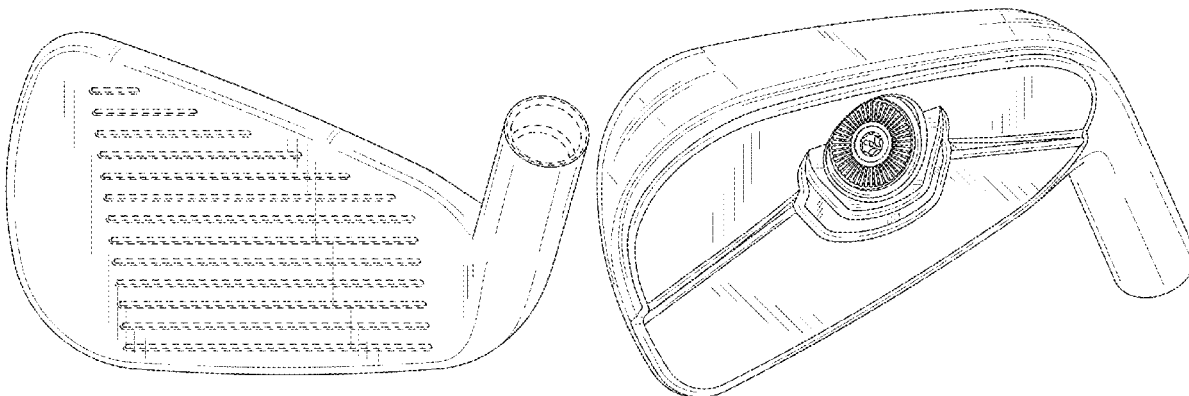
(57) **CLAIM**

The ornamental design for a golf club head, as shown and described.

DESCRIPTION

FIG. 1 is a top perspective view of a golf club head according to a first embodiment;
 FIG. 2 is a bottom perspective view of the golf club head of FIG. 1;
 FIG. 3 is a front elevational view of the golf club head of FIG. 1;
 FIG. 4 is a rear elevational view of the golf club head of FIG. 1;
 FIG. 5 is a top view of the golf club head of FIG. 1;
 FIG. 6 is a bottom view of the golf club head of FIG. 1;
 FIG. 7 is a left side view of the golf club head of FIG. 1; and,
 FIG. 8 is a right side view of the golf club head of FIG. 1.
 The broken lines shown on the drawings form no part of the claimed design.

1 Claim, 4 Drawing Sheets



(56)

References Cited

U.S. PATENT DOCUMENTS

D357,520	S	4/1995	Helmstetter et al.	7,121,956	B2	10/2006	Lo	
5,419,560	A	5/1995	Bamber	7,128,663	B2	10/2006	Bamber	
5,425,535	A	6/1995	Gee	D531,688	S	11/2006	Frame et al.	
D361,358	S	8/1995	Simmons	D532,849	S	11/2006	Nicolette et al.	
5,447,311	A	9/1995	Viollaz et al.	D533,610	S	12/2006	Cleveland	D21/747
5,451,056	A	9/1995	Manning	D534,228	S	12/2006	Nicolette et al.	
D362,884	S	10/1995	Blough et al.	D534,595	S	1/2007	Hasebe	
D362,885	S	10/1995	Blough et al.	D534,597	S	1/2007	Nicolette et al.	
D362,887	S	10/1995	Blough et al.	7,156,751	B2	1/2007	Wahl et al.	
D370,514	S	6/1996	Blough et al.	D536,759	S	2/2007	Schweigert et al.	
5,540,437	A	7/1996	Bamber	D537,494	S	2/2007	Jertson et al.	
D379,106	S	5/1997	Maltby	7,182,698	B2	2/2007	Tseng	
5,637,045	A	6/1997	Igarashi	D538,366	S	3/2007	Nicolette et al.	
5,669,830	A	9/1997	Bamber	D539,864	S	4/2007	Nicolette et al.	
D389,540	S	1/1998	Mendenhall	D540,898	S	4/2007	Solheim et al.	
D389,541	S	1/1998	Huan-Chiang	D541,360	S	4/2007	Schweigert et al.	
D395,476	S	6/1998	Pond	7,207,900	B2	4/2007	Nicolette et al.	
5,766,091	A	6/1998	Humphrey et al.	D543,601	S	5/2007	Kawami	
5,766,092	A	6/1998	Mimeur et al.	D544,056	S	6/2007	Nicolette et al.	
D399,277	S	10/1998	Ezaki	D545,387	S	6/2007	Roberts	D21/747
5,827,132	A	10/1998	Bamber	D547,410	S	7/2007	Nicolette et al.	
D408,485	S	4/1999	Takahashi et al.	D555,219	S	11/2007	Lin	
5,899,821	A	5/1999	Hsu et al.	7,303,486	B2	12/2007	Imamoto	
5,935,016	A	8/1999	Antonious	D559,932	S	1/2008	Belmont	
D414,535	S	9/1999	Mertens	D561,280	S	2/2008	Rollinson	D21/748
D421,080	S	2/2000	Chen	D561,855	S	2/2008	Schweigert et al.	
D426,276	S	6/2000	Besnard et al.	D562,925	S	2/2008	Schweigert et al.	
D426,476	S	6/2000	Goss	7,351,164	B2	4/2008	Schweigert et al.	
6,077,171	A	6/2000	Yoneyama	D570,435	S	6/2008	Sanchez et al.	
D442,659	S	5/2001	Kubica et al.	D570,935	S	6/2008	Nicolette et al.	
D443,008	S	5/2001	Kubica et al.	D570,936	S	6/2008	Schweigert et al.	
D445,862	S	7/2001	Ford	D570,942	S	6/2008	Chen et al.	
6,290,609	B1	9/2001	Takeda	D571,422	S	6/2008	Schweigert et al.	
D449,866	S	10/2001	Miller	D571,425	S	6/2008	Chen et al.	
D457,211	S	5/2002	Bakke	D571,427	S	6/2008	Schweigert et al.	
D458,328	S	6/2002	Solheim et al.	D571,881	S	6/2008	Nicolette et al.	
D468,382	S	1/2003	Wahl	D572,326	S	7/2008	Schweigert et al.	
D469,833	S	2/2003	Roberts et al.	D572,329	S	7/2008	Nicolette et al.	
D470,554	S	2/2003	Truesdale	D573,219	S	7/2008	Schweigert et al.	
D473,605	S	4/2003	Petersen et al.	7,396,299	B2	7/2008	Nicolette et al.	
D476,048	S	6/2003	Cleveland	7,413,518	B2	8/2008	Cole et al.	
D478,949	S	8/2003	DeLaCruz	D577,783	S	9/2008	Schweigert et al.	
D479,568	S	9/2003	Rodgers	D578,590	S	10/2008	Schweigert et al.	
6,638,182	B2	10/2003	Kosmatka	D581,000	S	11/2008	Nicolette et al.	
6,695,714	B1	2/2004	Bliss et al.	D581,004	S	11/2008	Schweigert et al.	
6,702,693	B2	3/2004	Bamber	D584,370	S	1/2009	Cleveland	D21/747
D488,201	S	4/2004	Wahl et al.	D585,103	S	1/2009	Foster et al.	
D492,376	S	6/2004	Nicolette et al.	D586,414	S	2/2009	Foster et al.	
D494,240	S	8/2004	Schweigert	D587,327	S	2/2009	Ines et al.	
D494,648	S	8/2004	Schweigert et al.	D587,769	S	3/2009	Honea	D21/747
6,780,123	B2	8/2004	Hasebe	D594,518	S	6/2009	Schweigert	
D497,963	S	11/2004	Toulon et al.	D596,256	S	7/2009	Schweigert et al.	
6,811,496	B2	11/2004	Wahl et al.	D596,257	S	7/2009	Jertson et al.	
D499,779	S	12/2004	Mahaffey et al.	D596,258	S	7/2009	Jertson et al.	
D500,350	S	12/2004	Schweigert et al.	D596,688	S	7/2009	Schweigert et al.	
D500,351	S	12/2004	Schweigert et al.	D597,158	S	7/2009	Schweigert et al.	
D502,237	S	2/2005	Schweigert et al.	D597,616	S	8/2009	Ines	D21/747
D502,975	S	3/2005	Schweigert et al.	D597,617	S	8/2009	Ines	D21/747
D503,204	S	3/2005	Nicolette et al.	D597,618	S	8/2009	Ines	D21/747
D504,925	S	5/2005	Schweigert et al.	D598,060	S	8/2009	Barez	D21/747
D505,171	S	5/2005	Schweigert et al.	D601,216	S	9/2009	Jertson et al.	
D507,029	S	7/2005	Burrows	7,588,502	B2	9/2009	Nishino	
D507,320	S	7/2005	Roberts et al.	7,601,075	B2	10/2009	Cole et al.	
D507,614	S	7/2005	Schweigert et al.	D604,783	S	11/2009	Nicolette et al.	
D508,099	S	8/2005	Schweigert et al.	7,611,424	B2	11/2009	Nagai et al.	
D508,545	S	8/2005	Roberts et al.	D606,605	S	12/2009	Wada et al.	
6,923,733	B2	8/2005	Chen	D607,070	S	12/2009	Wada et al.	
D514,183	S	1/2006	Schweigert et al.	D607,071	S	12/2009	Wada et al.	
D516,650	S	3/2006	Wolfe et al.	7,658,686	B2	2/2010	Soracco	
D518,863	S	4/2006	Motoyoshi et al.	D612,438	S	3/2010	Carlyle et al.	
D523,501	S	6/2006	Nicolette et al.	D612,439	S	3/2010	Carlyle et al.	
D523,917	S	6/2006	Wolfe et al.	D617,406	S	6/2010	Carlyle et al.	
D524,889	S	7/2006	Yu et al.	D618,293	S	6/2010	Foster et al.	
D530,759	S	10/2006	Nicolette et al.	7,736,243	B2	6/2010	Sanchez et al.	
D530,760	S	10/2006	Schweigert et al.	7,744,484	B1	6/2010	Chao	
				D619,667	S	7/2010	Cleveland	D21/747
				D621,893	S	8/2010	Nicolette et al.	
				D621,894	S	8/2010	Schweigert	
				D621,895	S	8/2010	Schweigert et al.	

(56)

References Cited

U.S. PATENT DOCUMENTS

7,798,917 B2	9/2010	Nguyen et al.	9,533,201 B2	1/2017	Parsons et al.
7,815,521 B2	10/2010	Ban et al.	D788,236 S *	5/2017	Bishop D21/747
D627,409 S	11/2010	Schweigert et al.	9,649,542 B2	5/2017	Nicolette
D627,410 S	11/2010	Nicolette et al.	D802,068 S	11/2017	Parsons et al.
7,846,040 B2	12/2010	Ban	9,814,952 B2	11/2017	Parsons et al.
D633,159 S	2/2011	Holt et al.	D816,787 S *	5/2018	Nicolette D21/747
D633,967 S	3/2011	Carlyle et al.	D825,891 S	8/2018	Parsons et al.
D635,627 S	4/2011	Nicolette	D827,065 S	8/2018	Nicolette
7,938,738 B2	5/2011	Roach	D829,837 S *	10/2018	Wolfe D21/747
D642,642 S	8/2011	Jertson et al.	D835,737 S	12/2018	Parsons et al.
D643,488 S	8/2011	Holt et al.	D846,049 S *	4/2019	Becktor D21/747
D643,490 S	8/2011	Wada et al.	D852,302 S	6/2019	Parsons et al.
D643,491 S	8/2011	Stokke et al.	D856,451 S	8/2019	Parsons et al.
D643,492 S	8/2011	Nicolette et al.	D860,358 S *	9/2019	Stokke D21/747
D643,895 S	8/2011	Wieland	D863,478 S	10/2019	Parsons et al.
D643,896 S	8/2011	Jertson et al.	D866,692 S *	11/2019	Kitching, Jr. D21/747
D647,582 S	10/2011	Nicolette et al.	10,632,349 B2	4/2020	Parsons et al.
D647,984 S *	11/2011	Atwell D21/747	D893,647 S	8/2020	Parsons et al.
D647,985 S *	11/2011	Atwell D21/747	D893,648 S	8/2020	Parsons et al.
D647,987 S *	11/2011	Atwell D21/747	D894,302 S	8/2020	Parsons et al.
D649,211 S	11/2011	Jertson et al.	10,729,948 B2	8/2020	Parsons et al.
8,062,150 B2	11/2011	Gilbert et al.	10,729,949 B2	8/2020	Parsons et al.
D651,268 S	12/2011	Nicolette et al.	D898,143 S	10/2020	Parsons et al.
8,088,025 B2	1/2012	Wahl et al.	D898,144 S	10/2020	Parsons et al.
8,092,319 B1	1/2012	Cackett et al.	D898,145 S	10/2020	Parsons et al.
8,105,180 B1	1/2012	Cackett et al.	D900,259 S *	10/2020	Wolfe D21/747
8,142,307 B2	3/2012	Sanchez et al.	D900,260 S *	10/2020	Wolfe D21/747
D658,248 S	4/2012	Nunez et al.	10,874,919 B2	12/2020	Parsons et al.
8,221,262 B1	7/2012	Cackett et al.	D910,128 S *	2/2021	Kitching, Jr. D21/747
8,246,487 B1	8/2012	Cackett et al.	D915,535 S	4/2021	Parsons et al.
D669,947 S *	10/2012	Kim D21/747	D916,220 S *	4/2021	Parsons D21/747
D670,775 S	11/2012	Jertson et al.	D921,796 S *	6/2021	Parsons D21/759
D672,417 S	12/2012	Jertson et al.	D922,506 S *	6/2021	Parsons D21/747
8,328,662 B2	12/2012	Nakamura et al.	D926,272 S *	7/2021	Cleghorn D21/747
D673,633 S	1/2013	Jertson et al.	D926,900 S *	8/2021	Nicolette D21/747
D673,634 S	1/2013	Jertson et al.	D927,620 S *	8/2021	Nicolette D21/747
8,376,878 B2	2/2013	Bennett et al.	D928,261 S *	8/2021	Clarke D21/747
D680,603 S	4/2013	Nicolette et al.	2002/0107087 A1	8/2002	Fagot
D681,142 S	4/2013	Fossum et al.	2003/0139226 A1	7/2003	Cheng et al.
D681,143 S	4/2013	Nicolette et al.	2003/0176231 A1	9/2003	Hasebe
8,414,422 B2	4/2013	Peralta et al.	2004/0204263 A1	10/2004	Fagot et al.
8,506,420 B2	8/2013	Hocknell et al.	2005/0009632 A1	1/2005	Schweigert et al.
8,545,343 B2	10/2013	Boyd et al.	2005/0014573 A1	1/2005	Lee
8,574,094 B2	11/2013	Nicolette et al.	2005/0096148 A1	5/2005	Noble et al.
8,657,700 B2	2/2014	Nicolette et al.	2005/0119066 A1	6/2005	Stites et al.
8,663,026 B2	3/2014	Blowers et al.	2005/0239569 A1	10/2005	Best et al.
D703,282 S *	4/2014	Breier D21/747	2005/0277485 A1	12/2005	Hou et al.
8,690,710 B2	4/2014	Nicolette et al.	2006/0111200 A1	5/2006	Poynor
D707,316 S	6/2014	Aguayo et al.	2007/0032308 A1	2/2007	Fagot et al.
D707,317 S	6/2014	Aguayo et al.	2007/0225084 A1	9/2007	Schweigert et al.
8,753,230 B2	6/2014	Stokke et al.	2008/0058113 A1	3/2008	Nicolette et al.
D708,688 S	7/2014	Nicolette et al.	2008/0188322 A1	8/2008	Anderson et al.
8,827,832 B2	9/2014	Breier et al.	2008/0300065 A1	12/2008	Schweigert
8,827,833 B2	9/2014	Amano et al.	2009/0029790 A1	1/2009	Nicolette et al.
8,845,455 B2	9/2014	Ban et al.	2010/0130306 A1	5/2010	Schweigert
D716,387 S	10/2014	Aguayo et al.	2010/0178999 A1	7/2010	Nicolette et al.
D716,388 S	10/2014	Aguayo et al.	2011/0111883 A1	5/2011	Cackett
D716,391 S	10/2014	Roche et al.	2011/0165963 A1	7/2011	Cackett et al.
D722,352 S	2/2015	Nicolette et al.	2011/0269567 A1	11/2011	Ban et al.
D723,120 S	2/2015	Nicolette	2011/0294596 A1	12/2011	Ban
8,961,336 B1	2/2015	Parsons et al.	2013/0137532 A1	5/2013	Deshmukh et al.
D726,265 S	4/2015	Nicolette	2013/0225319 A1	8/2013	Kato
9,199,143 B1	12/2015	Parsons et al.	2013/0281226 A1	10/2013	Ban
D746,926 S	1/2016	Parsons et al.	2013/0288823 A1	10/2013	Hebreo
D748,214 S	1/2016	Nicolette et al.	2013/0303303 A1	11/2013	Ban
D748,749 S	2/2016	Nicolette et al.	2013/0310192 A1	11/2013	Wahl et al.
D756,471 S	5/2016	Nicolette et al.	2014/0080621 A1	3/2014	Nicolette et al.
9,346,203 B2	5/2016	Parsons et al.	2014/0128175 A1	5/2014	Jertson et al.
D762,792 S *	8/2016	Oliveiro D21/747	2014/0274441 A1	9/2014	Greer
D764,610 S	8/2016	Parsons et al.	2014/0274451 A1	9/2014	Knight et al.
9,421,437 B2	8/2016	Parsons et al.	2015/0231454 A1	8/2015	Parsons et al.
9,427,634 B2	8/2016	Parsons et al.	2015/0231806 A1	8/2015	Parsons et al.
9,468,821 B2	10/2016	Parsons et al.	2015/0328508 A1	11/2015	Parsons et al.
D773,574 S *	12/2016	Oliveiro D21/747	2017/0368429 A1	12/2017	Parsons et al.
D773,575 S	12/2016	Nicolette	2018/0104551 A1	4/2018	Parsons et al.
			2018/0140910 A1	5/2018	Parsons et al.
			2018/0169488 A1	6/2018	Parsons et al.
			2018/0207494 A1	7/2018	Parsons et al.
			2018/0221727 A1	8/2018	Parsons et al.

(56)

References Cited

U.S. PATENT DOCUMENTS

2018/0236325	A1	8/2018	Parsons et al.
2018/0318673	A1	11/2018	Parsons et al.
2019/0143183	A1	5/2019	Parsons et al.
2019/0201758	A1	7/2019	Parsons et al.
2019/0232124	A1	8/2019	Parsons et al.
2019/0232125	A1	8/2019	Parsons et al.
2019/0232126	A1	8/2019	Nicolette
2019/0240549	A1	8/2019	Parsons et al.
2019/0247726	A1	8/2019	Parsons et al.
2019/0247727	A1	8/2019	Parsons et al.
2020/0047038	A1	2/2020	Parsons et al.
2020/0070018	A1	3/2020	Parsons et al.
2020/0346082	A1	11/2020	Parsons et al.
2020/0353326	A1	11/2020	Parsons et al.
2020/0376353	A1	12/2020	Parsons et al.
2021/0008420	A1	1/2021	Parsons et al.
2021/0016141	A1	1/2021	Parsons et al.

OTHER PUBLICATIONS

pxg.com; Jun. 30, 2022.*

Kozuchowski, Zak, "Callaway Mack Daddy 2 PM Grind Wedges" (<http://www.golfwrx.com/276203/callaway-mack-daddy-2-pm-grind-wedges/>), www.golfwrx.com, GolfWRX Holdings, LLC, published Jan. 21, 2015.

Wall, Jonathan, "Details: Phil's Prototype Mack Daddy PM-GRIND Wedge," (<http://www.pgatour.com/equipmentreport/2015/01/21/callaway-wedge.html>), www.pgatour.com, PGA Tour, Inc., Published Jan. 21, 2015.

* cited by examiner

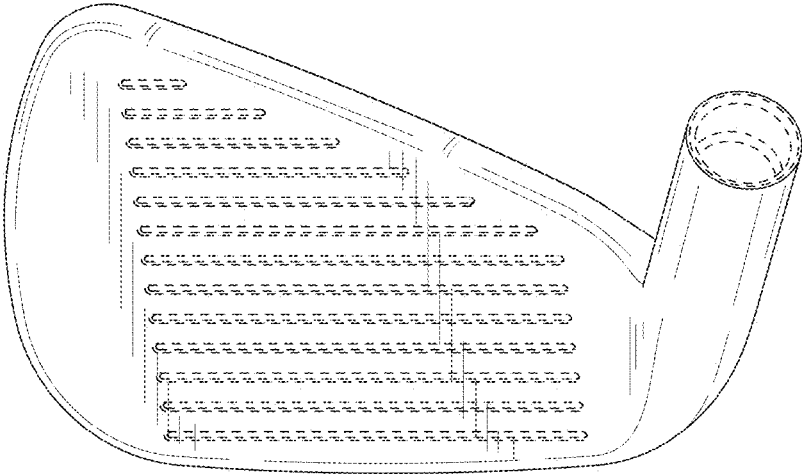


FIG. 1

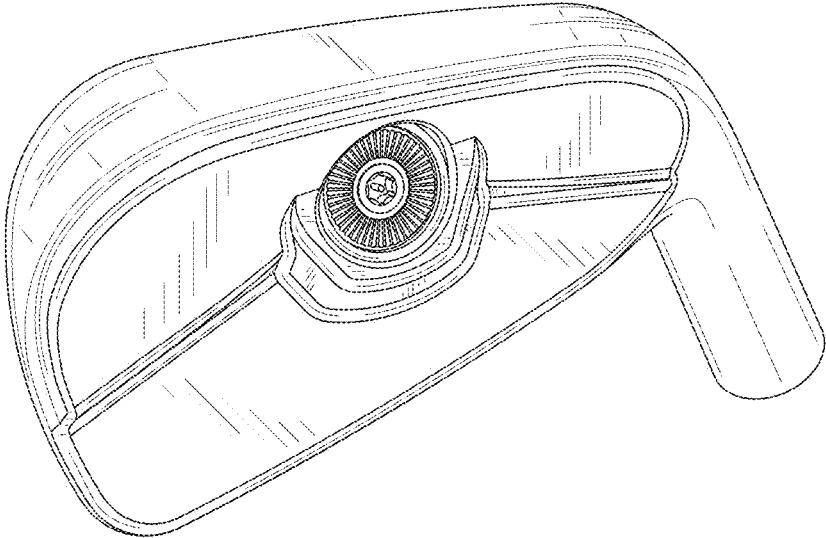


FIG. 2

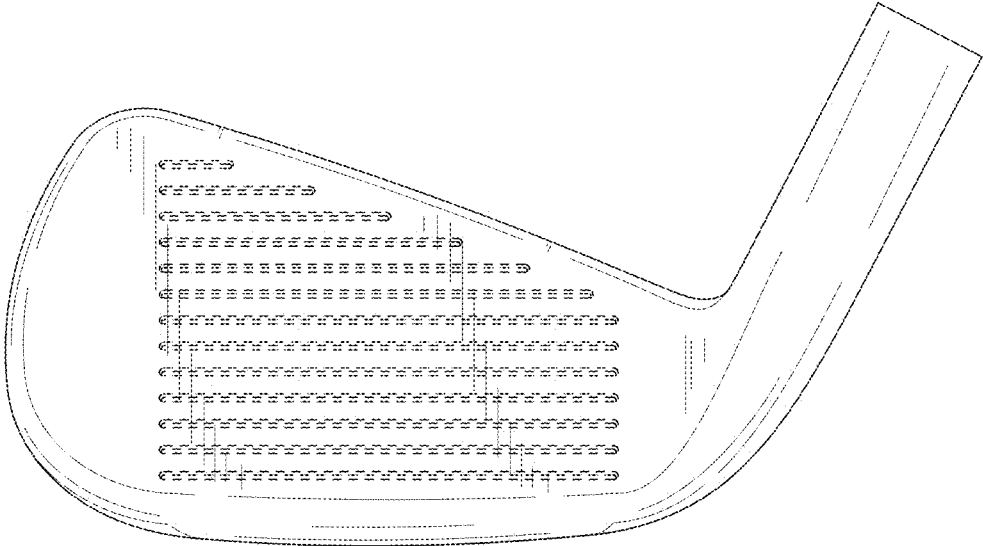


FIG. 3

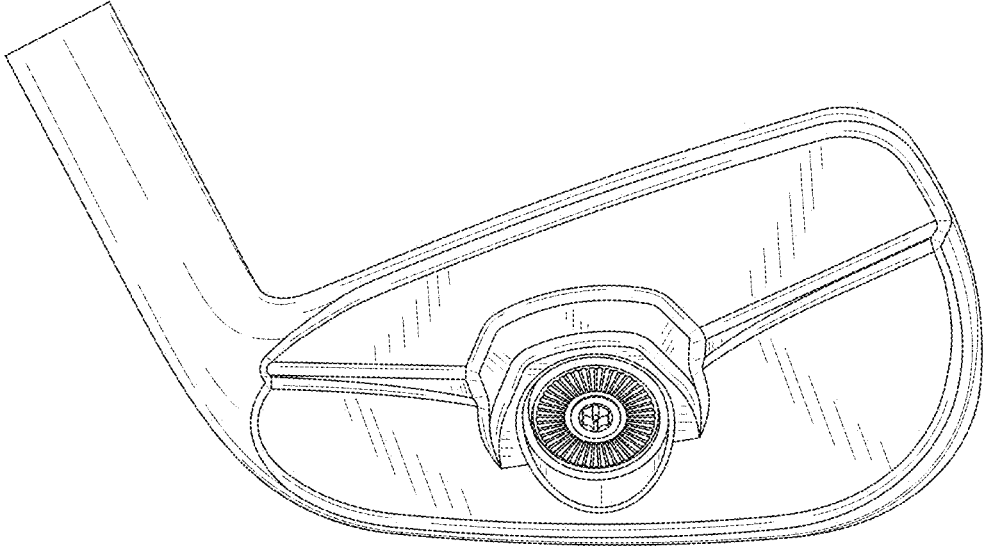


FIG. 4

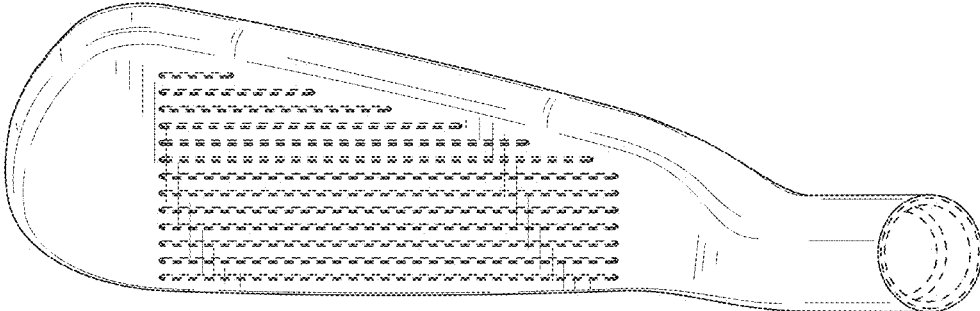


FIG. 5

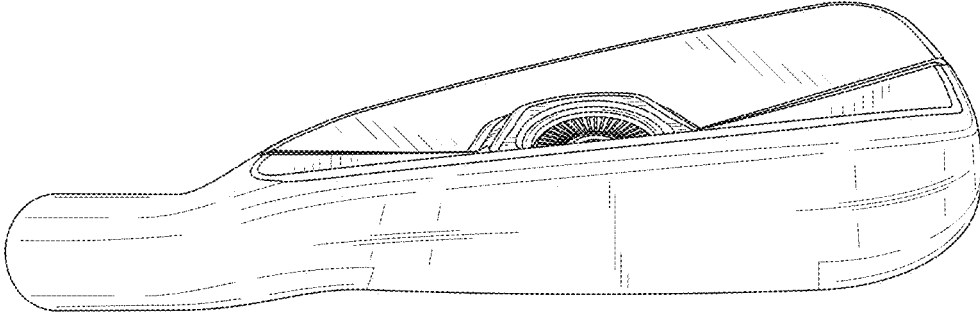


FIG. 6

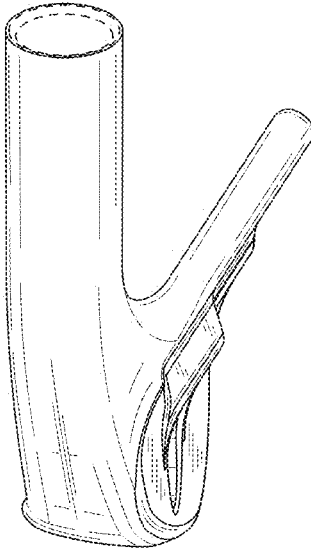


FIG. 7

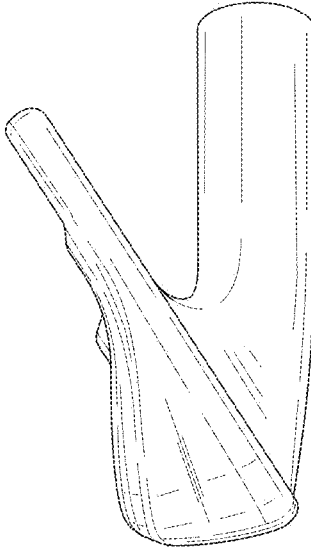


FIG. 8