



US00D767318S

(12) **United States Design Patent**
Kubryk

(10) **Patent No.:** **US D767,318 S**

(45) **Date of Patent:** **** Sep. 27, 2016**

(54) **TASK CHAIR**

D730,669 S * 6/2015 Kubryk D6/716
D730,670 S * 6/2015 Kubryk D6/716

(71) Applicant: **Isaac Kubryk**, Lockeford, CA (US)

* cited by examiner

(72) Inventor: **Isaac Kubryk**, Lockeford, CA (US)

Primary Examiner — Mimosa De

(73) Assignee: **Global Allies, LLC**, Lockeford, CA (US)

(74) *Attorney, Agent, or Firm* — Audrey A. Millemann; Weintraub Tobin

(**) Term: **14 Years**

(57) **CLAIM**

(21) Appl. No.: **29/520,774**

The ornamental design for a task chair, as shown and described.

(22) Filed: **Mar. 17, 2015**

(51) **LOC (10) Cl.** **06-01**

(52) **U.S. Cl.**

USPC **D6/716**

(58) **Field of Classification Search**

USPC D6/334–336, 364, 365, 366, 371–375,
D6/379, 380, 716, 716.1, 716.2, 716.4
CPC A47C 4/02; A47C 4/03; A47C 7/18;
A47C 3/12; A47C 5/12; A47C 7/54
See application file for complete search history.

DESCRIPTION

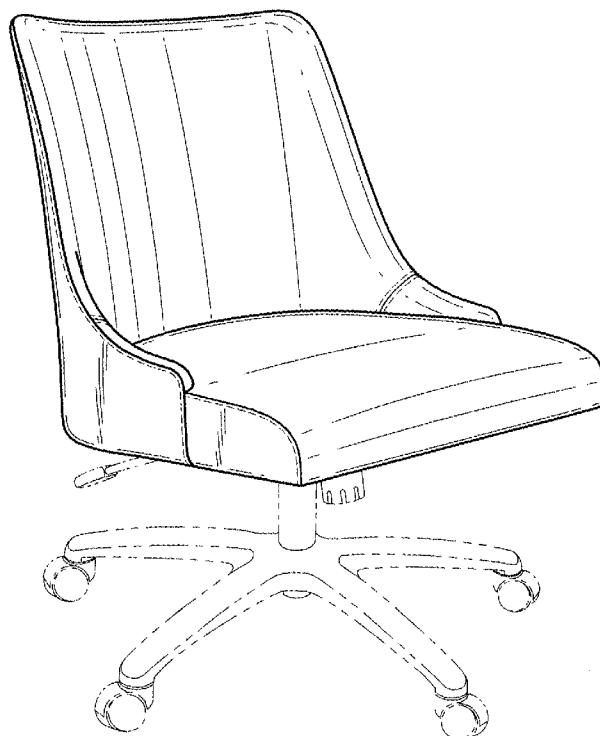
FIG. 1 is a perspective view of a task chair, looking toward the right front corner, showing my new design; FIG. 2 is a front view thereof; FIG. 3 is a back view thereof; FIG. 4 is a right side view thereof; FIG. 5 is a top view thereof; and, FIG. 6 is a bottom view thereof. The broken lines shown in the drawing are for illustrative purposes only and form no part of the claimed design. The short even dashed lines shown on the seat and backrest in FIGS. 1, 2, and 4 are understood to represent stitching.

(56) **References Cited**

U.S. PATENT DOCUMENTS

D654,732 S * 2/2012 Kubryk D6/366
D730,099 S * 5/2015 Kubryk D6/716

1 Claim, 5 Drawing Sheets



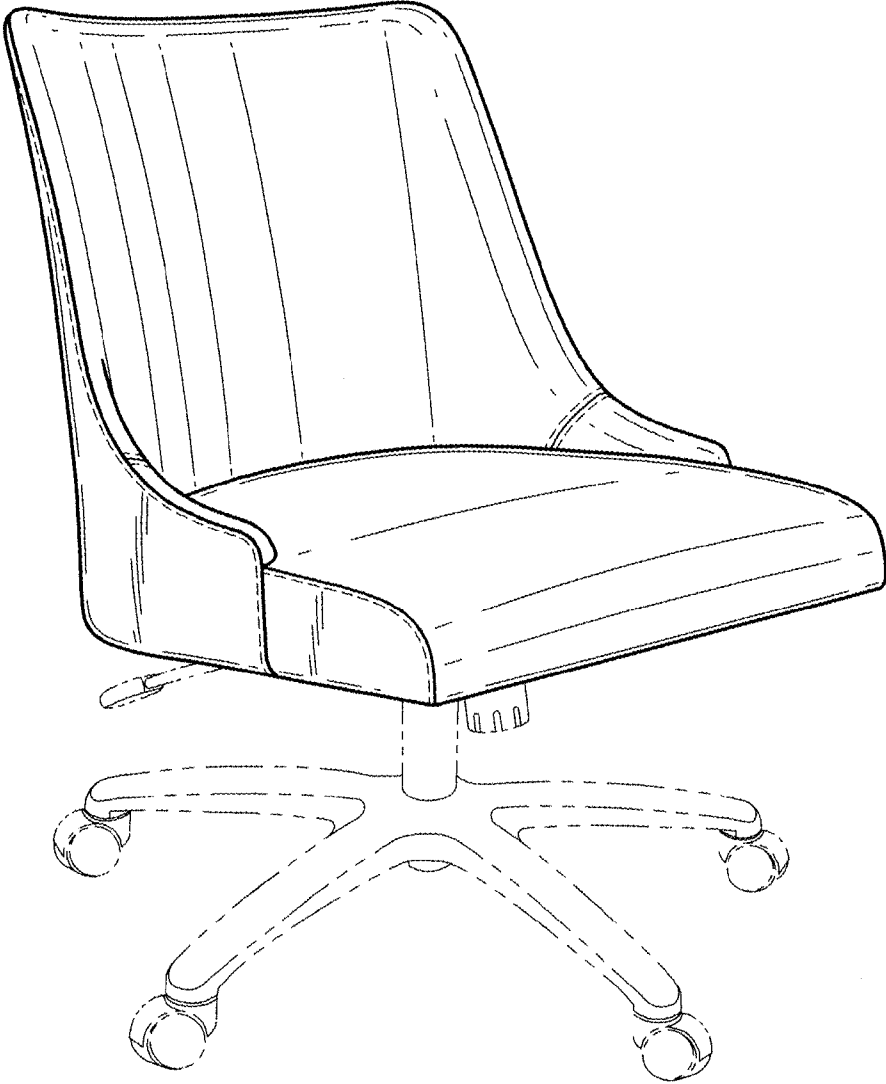


FIG. 1

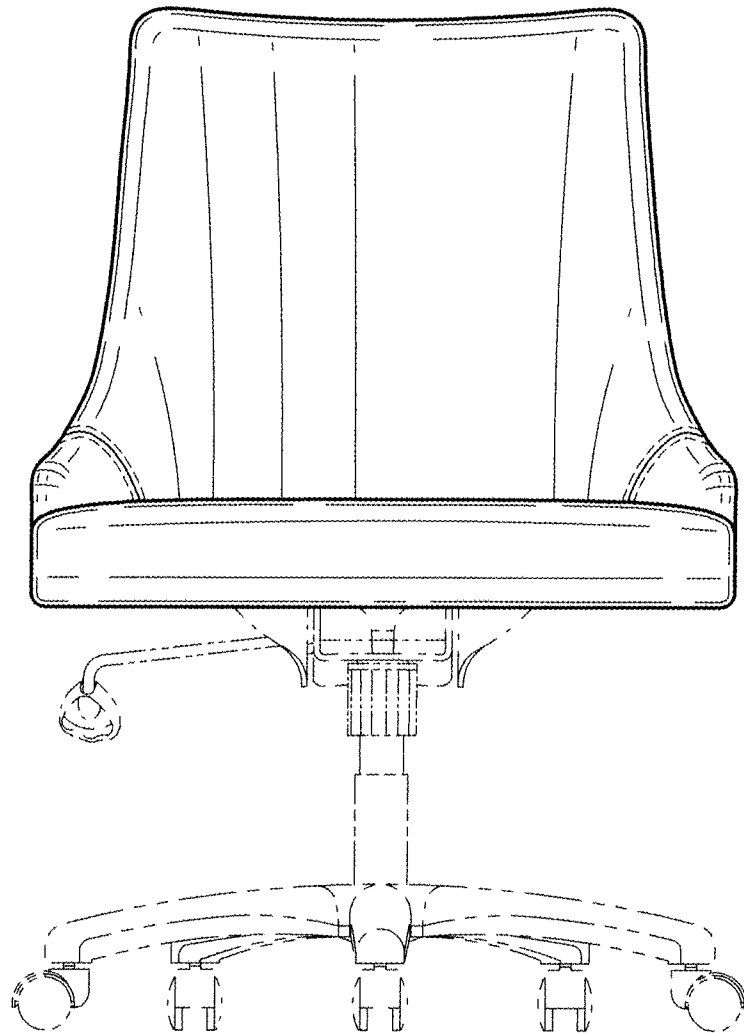


FIG. 2

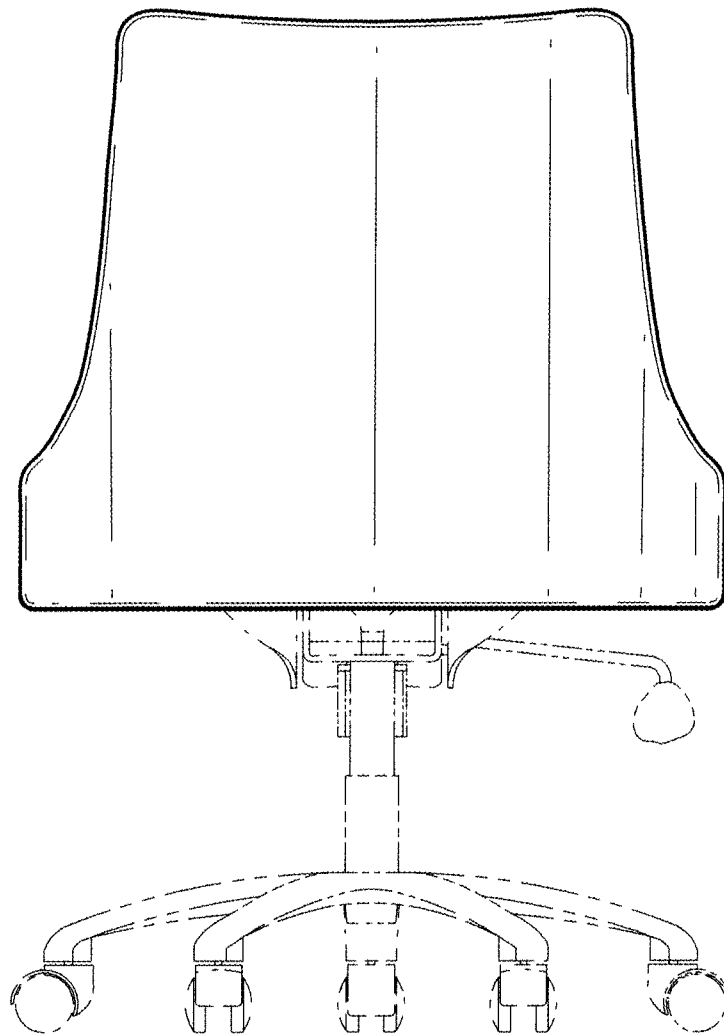


FIG. 3

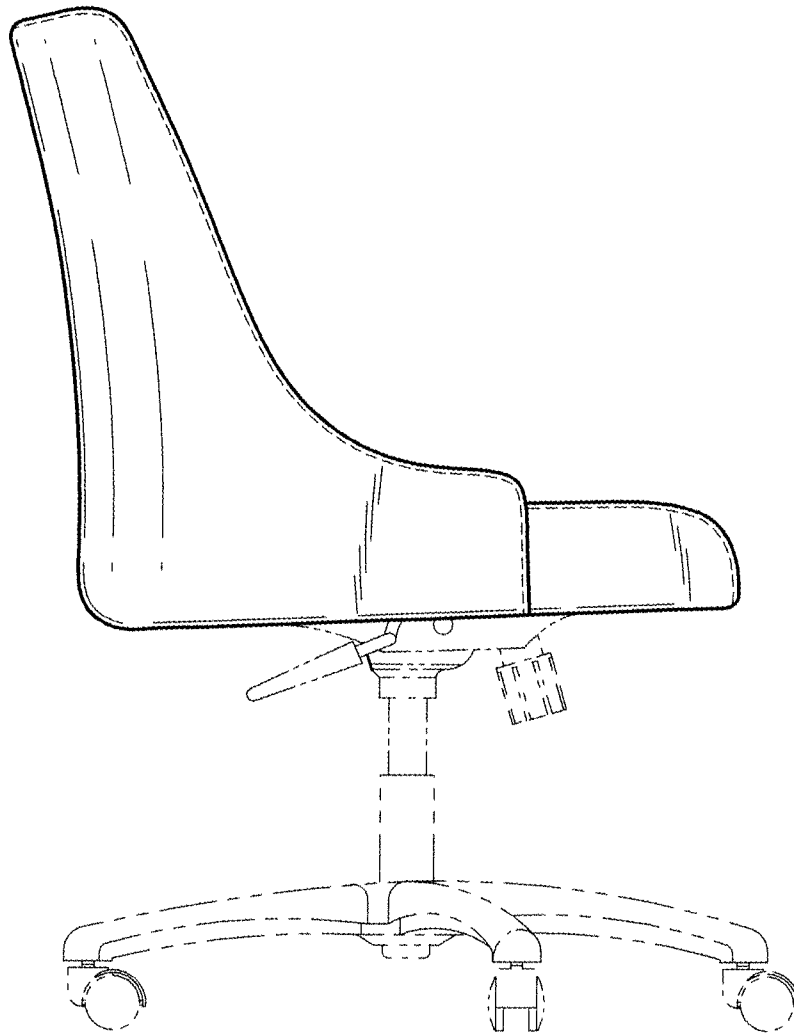


FIG. 4

FIG. 5

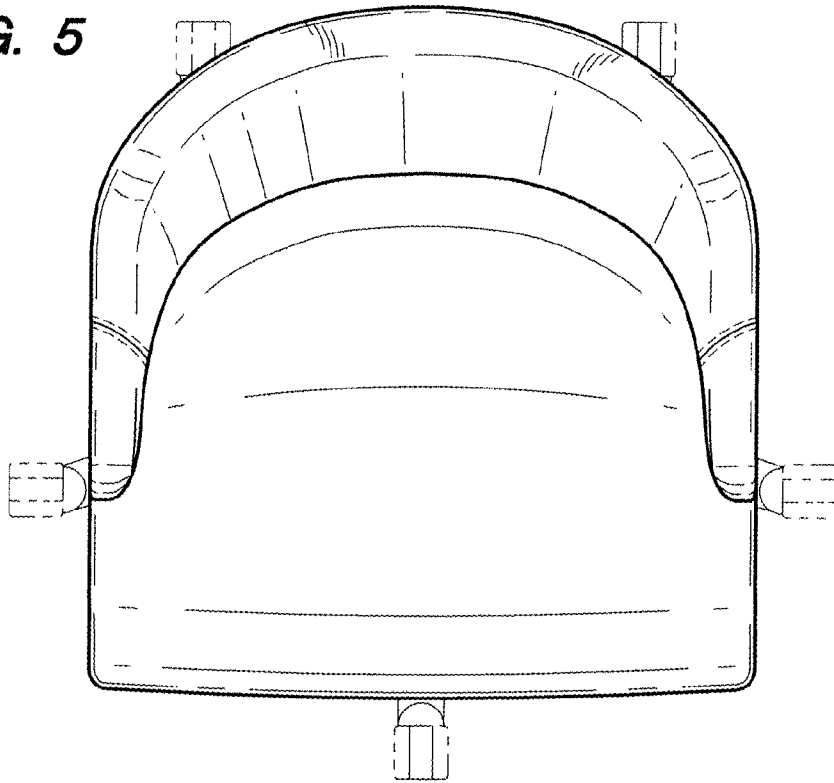


FIG. 6

