



US00D578323S

(12) **United States Design Patent**
Muller

(10) **Patent No.:** **US D578,323 S**

(45) **Date of Patent:** **** Oct. 14, 2008**

(54) **END TABLE**

(75) Inventor: **Carl Muller**, Huntington Beach, CA
(US)

(73) Assignee: **Elite Mfg. Corp.**, Santa Fe Springs, CA
(US)

(**) Term: **14 Years**

(21) Appl. No.: **29/248,737**

(22) Filed: **Aug. 30, 2006**

(51) **LOC (8) Cl.** **06-03**

(52) **U.S. Cl.** **D6/495; D6/482**

(58) **Field of Classification Search** D6/480-489,
D6/495-499, 511, 477; 108/150, 151, 153.1,
108/155, 156, 157.1, 161; 248/188, 188.1,
248/188.7, 188.8

See application file for complete search history.

(56) **References Cited**

U.S. PATENT DOCUMENTS

D135,508 S * 4/1943 Mildwoff D6/480
D359,637 S * 6/1995 Hammie D6/482
D432,822 S * 10/2000 Chen D6/498
D470,350 S * 2/2003 Muggleton D6/495

D509,385 S * 9/2005 Muller D6/480
D541,560 S * 5/2007 Muller D6/495
D543,733 S * 6/2007 Muller D6/495
D545,087 S * 6/2007 Muller D6/495

* cited by examiner

Primary Examiner—Janice E Seeger

(57) **CLAIM**

The ornamental design for an end table, as shown and described.

DESCRIPTION

FIG. 1 is a perspective elevational view of an end table showing my new design.

FIG. 2 is a front elevational view.

FIG. 3 is a left side elevational view.

FIG. 4 is a rear elevational view.

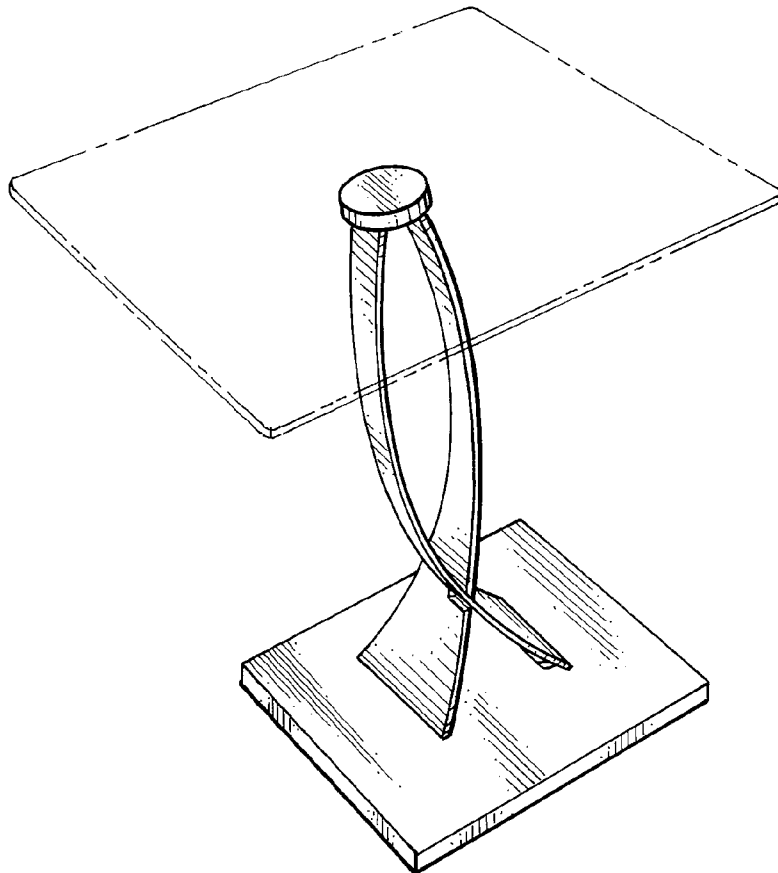
FIG. 5 is a right side elevational view.

FIG. 6 is a top plan view; and,

FIG. 7 is a bottom plan view.

The broken lines are for environmental purposes only and form no part of the claimed design.

1 Claim, 2 Drawing Sheets



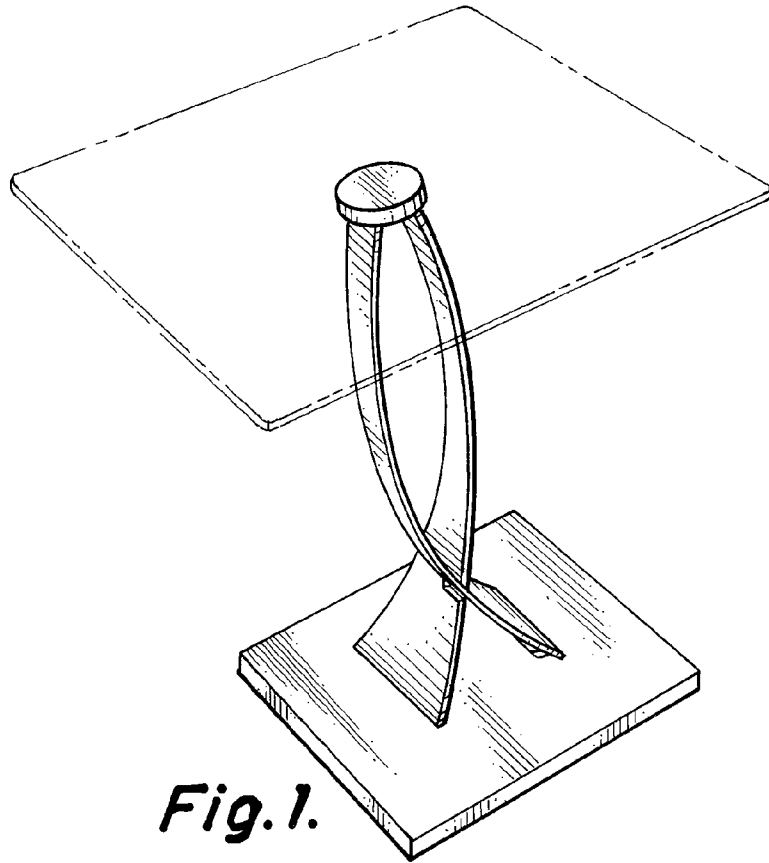


Fig. 1.

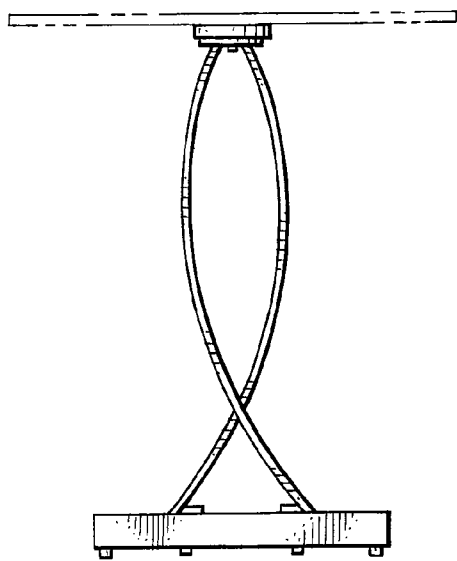


Fig. 2.

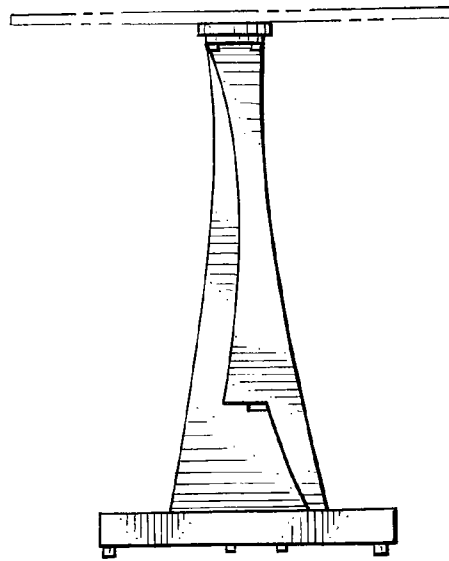


Fig. 3.

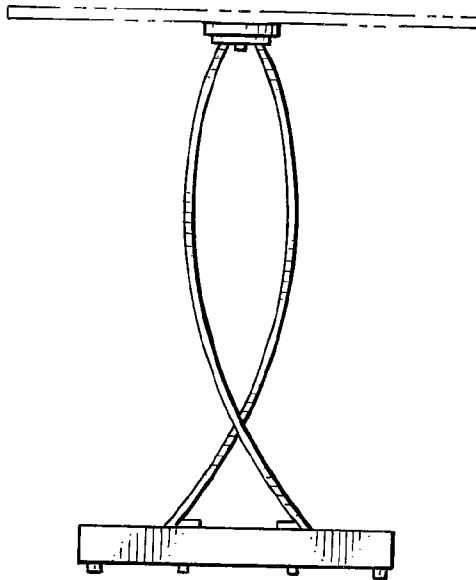


Fig. 4.

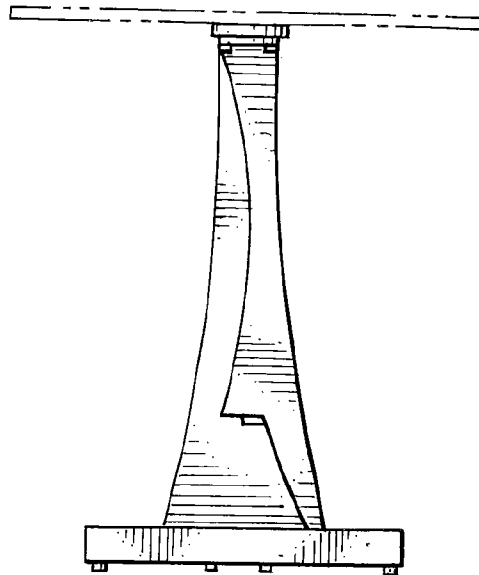


Fig. 5.

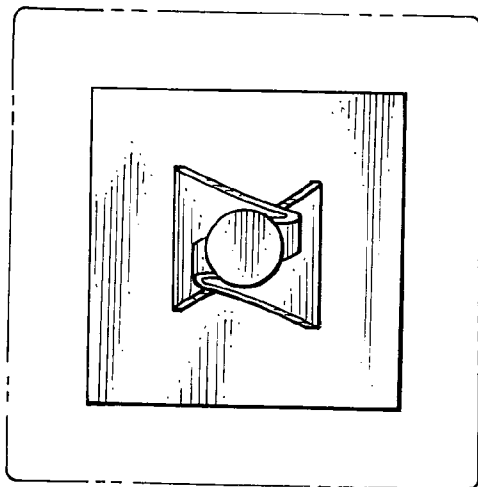


Fig. 6.

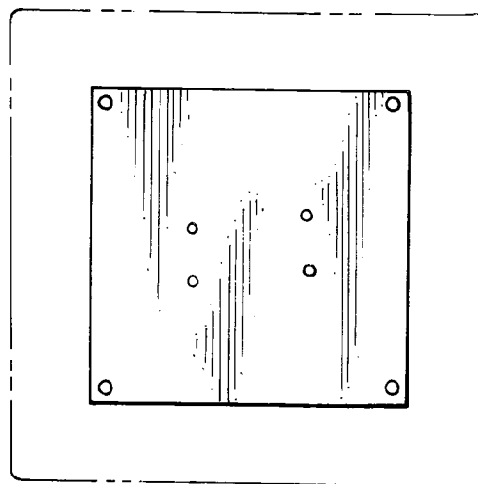


Fig. 7.