

(19) World Intellectual Property Organization  
International Bureau



(43) International Publication Date  
4 October 2007 (04.10.2007)

PCT

(10) International Publication Number  
WO 2007/110771 A3

- (51) International Patent Classification:  
*H04M 1/02* (2006.01)
- (21) International Application Number:  
PCT/IB2007/000833
- (22) International Filing Date: 29 March 2007 (29.03.2007)
- (25) Filing Language: English
- (26) Publication Language: English
- (30) Priority Data:  
11/393,510 29 March 2006 (29.03.2006) US
- (71) Applicant (for all designated States except LC, US):  
**NOKIA CORPORATION** [FI/FI]; Keilalahdentie 4,  
FIN-02150 ESPOO (FI).
- (71) Applicant (for LC only): **NOKIA, INC.** [US/US]; 6000  
Connection Drive, Irving, TX 75039 (US).
- (72) Inventor; and
- (75) Inventor/Applicant (for US only): **JORGENSEN, Claus,  
H.** [DK/DK]; Kong Georgsvej 58, 1.tv, DK-4000 Fred-  
eriksberg (DK).
- (74) Agent: **HARRINGTON, Mark, F.**; Harrington & Smith,  
PC, 4 Research Drive, Shelton, CT 06484-6212 (US).
- (81) Designated States (unless otherwise indicated, for every  
kind of national protection available): AE, AG, AL, AM,

AT, AU, AZ, BA, BB, BG, BH, BR, BW, BY, BZ, CA, CH,  
CN, CO, CR, CU, CZ, DE, DK, DM, DZ, EC, EE, EG, ES,  
FI, GB, GD, GE, GH, GM, GT, HN, HR, HU, ID, IL, IN,  
IS, JP, KE, KG, KM, KN, KP, KR, KZ, LA, LC, LK, LR,  
LS, LT, LU, LY, MA, MD, MG, MK, MN, MW, MX, MY,  
MZ, NA, NG, NI, NO, NZ, OM, PG, PH, PL, PT, RO, RS,  
RU, SC, SD, SE, SG, SK, SL, SM, SV, SY, TJ, TM, TN,  
TR, TT, TZ, UA, UG, US, UZ, VC, VN, ZA, ZM, ZW.

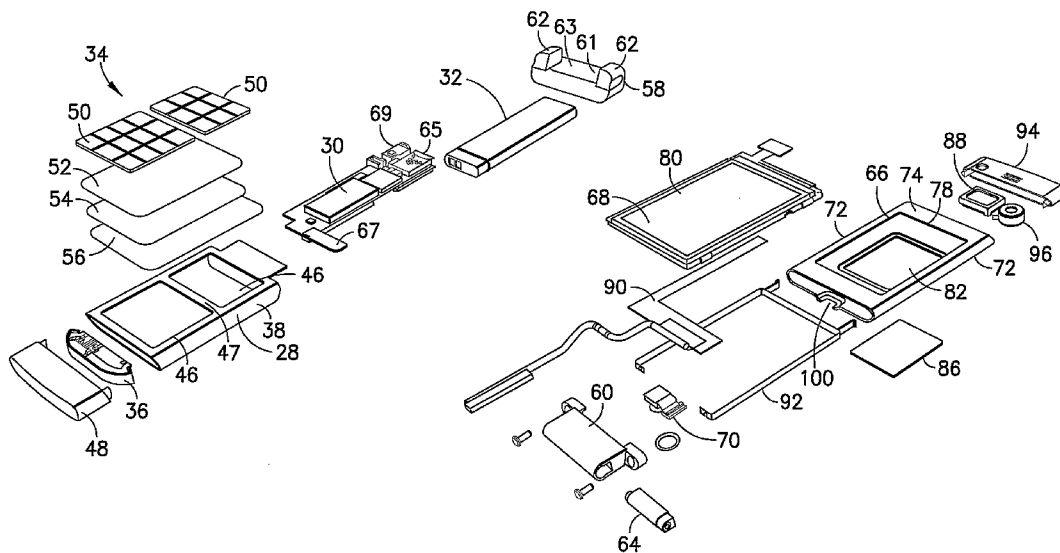
(84) Designated States (unless otherwise indicated, for every  
kind of regional protection available): ARIPO (BW, GH,  
GM, KE, LS, MW, MZ, NA, SD, SL, SZ, TZ, UG, ZM,  
ZW), Eurasian (AM, AZ, BY, KG, KZ, MD, RU, TJ, TM),  
European (AT, BE, BG, CH, CY, CZ, DE, DK, EE, ES, FI,  
FR, GB, GR, HU, IE, IS, IT, LT, LU, LV, MC, MT, NL, PL,  
PT, RO, SE, SI, SK, TR), OAPI (BF, BJ, CF, CG, CI, CM,  
GA, GN, GQ, GW, ML, MR, NE, SN, TD, TG).

**Published:**  
— with international search report  
— before the expiration of the time limit for amending the  
claims and to be republished in the event of receipt of  
amendments

(88) Date of publication of the international search report:  
21 December 2007

For two-letter codes and other abbreviations, refer to the "Guid-  
ance Notes on Codes and Abbreviations" appearing at the begin-  
ning of each regular issue of the PCT Gazette.

(54) Title: PORTABLE ELECTRONIC DEVICE



(57) Abstract: A portable electronic device including a first section, a second section and a connecting section. The first section has a user input section and a first tubular housing member. The first tubular housing member forms a majority of opposite exterior lateral sides of the first section. The second section has a display and a second tubular housing member. The second tubular housing member forms a majority of opposite exterior lateral sides of the second section. The connecting section movably connects the second section with the first section. The first tubular housing member at least partially houses the user input section. The second tubular housing member at least partially houses the display.

WO 2007/110771 A3

## INTERNATIONAL SEARCH REPORT

International application No.

PCT/IB2007/000833

<b>A. CLASSIFICATION OF SUBJECT MATTER</b>		
<b>IPC: see extra sheet</b> According to International Patent Classification (IPC) or to both national classification and IPC		
<b>B. FIELDS SEARCHED</b>		
Minimum documentation searched (classification system followed by classification symbols)		
<b>IPC: H04M</b>		
Documentation searched other than minimum documentation to the extent that such documents are included in the fields searched		
<b>SE,DK,FI,NO classes as above</b>		
Electronic data base consulted during the international search (name of data base and, where practicable, search terms used)		
<b>EPO-INTERNAL, WPI DATA, PAJ, COMPD, INSPEC</b>		
<b>C. DOCUMENTS CONSIDERED TO BE RELEVANT</b>		
Category*	Citation of document, with indication, where appropriate, of the relevant passages	Relevant to claim No.
X	EP 1496672 A1 (MATSUSHITA ELECTRIC INDUSTRIAL CO., LTD.), 12 January 2005 (12.01.2005), paragraphs 47-49, figures 1,4,7 --	1-6
X	EP 1209880 A2 (NOKIA CORPORATION), 29 May 2002 (29.05.2002), paragraphs 5,22-24,27, figure 1 --	7-14
X	US 20050282593 A1 (SPENCE, M F ET AL), 22 December 2005 (22.12.2005), paragraphs 16,20-21, 25,28, figures 3,4,6,7, claims 1,9,12,14, abstract --	15-20
X	JP 2005318064 A, TOSHIBA CORP, 2005-11-10: (abstract) Retrieved from: PAJ Database --	21-24
<input checked="" type="checkbox"/> Further documents are listed in the continuation of Box C. <input checked="" type="checkbox"/> See patent family annex.		
* Special categories of cited documents: "A" document defining the general state of the art which is not considered to be of particular relevance "E" earlier application or patent but published on or after the international filing date "L" document which may throw doubts on priority claim(s) or which is cited to establish the publication date of another citation or other special reason (as specified) "O" document referring to an oral disclosure, use, exhibition or other means "P" document published prior to the international filing date but later than the priority date claimed "T" later document published after the international filing date or priority date and not in conflict with the application but cited to understand the principle or theory underlying the invention "X" document of particular relevance: the claimed invention cannot be considered novel or cannot be considered to involve an inventive step when the document is taken alone "Y" document of particular relevance: the claimed invention cannot be considered to involve an inventive step when the document is combined with one or more other such documents, such combination being obvious to a person skilled in the art "&" document member of the same patent family		
Date of the actual completion of the international search		Date of mailing of the international search report
11 October 2007		16-10-2007
Name and mailing address of the ISA/ Swedish Patent Office Box 5055, S-102 42 STOCKHOLM Facsimile No. +46 8 666 02 86		Authorized officer  Alexander Lakic/ABW Telephone No. +46 8 782 25 00

## INTERNATIONAL SEARCH REPORT

International application No.

PCT/IB2007/000833

## C (Continuation). DOCUMENTS CONSIDERED TO BE RELEVANT

Category*	Citation of document, with indication, where appropriate, of the relevant passages	Relevant to claim No.
X	GB 2391740 A (MATSUSHITA ELECTRICAL INDUSTRIAL CO LTD), 11 February 2004 (11.02.2004), figures 3,5, claims 1-2, abstract --	15-16
A	US 6219257 B1 (ARNOLD T A), 17 April 2001 (17.04.2001), figure 1, abstract --	1-6
A	US 20040253508 A1 (KOHRI K ET AL), 16 December 2004 (16.12.2004), paragraphs 41-42, figures 1,5,6, claims 1-4, abstract --	1-6,15-20
A	US 20030199290 A1 (VIERTOLA K), 23 October 2003 (23.10.2003), figure 4, claim 1, abstract --	7-14,21-24
A	EP 1533983 A1 (LG ELECTRONICS INC.), 25 May 2005 (25.05.2005), figures 2,3, abstract -- -----	21-24

## INTERNATIONAL SEARCH REPORT

International application No.  
PCT/IB2007/000833**Box No. II Observations where certain claims were found unsearchable (Continuation of item 2 of first sheet)**

This international search report has not been established in respect of certain claims under Article 17(2)(a) for the following reasons:

1.  Claims Nos.:  
because they relate to subject matter not required to be searched by this Authority, namely:
  
2.  Claims Nos.:  
because they relate to parts of the international application that do not comply with the prescribed requirements to such an extent that no meaningful international search can be carried out, specifically:
  
3.  Claims Nos.:  
because they are dependent claims and are not drafted in accordance with the second and third sentences of Rule 6.4(a).

**Box No. III Observations where unity of invention is lacking (Continuation of item 3 of first sheet)**

This International Searching Authority found multiple inventions in this international application, as follows:

See extra sheet

1.  As all required additional search fees were timely paid by the applicant, this international search report covers all searchable claims.
2.  As all searchable claims could be searched without effort justifying an additional fee, this Authority did not invite payment of any additional fee.
3.  As only some of the required additional search fees were timely paid by the applicant, this international search report covers only those claims for which fees were paid, specifically claims Nos.:
  
4.  No required additional search fees were timely paid by the applicant. Consequently, this international search report is restricted to the invention first mentioned in the claims; it is covered by claims Nos.:

**Remark on Protest**

- The additional search fees were accompanied by the applicant's protest and, where applicable, the payment of a protest fee.
- The additional search fees were accompanied by the applicant's protest but the applicable protest fee was not paid within the time limit specified in the invitation.
- No protest accompanied the payment of additional search fees.

INTERNATIONAL SEARCH REPORT

International application No.  
PCT/IB2007/000833

Box III

- 1) Claims 1-6 concerning a portable electronic apparatus comprising two sections connected by a hinge section. An access entry is provided in the hinge section to allow insertion of an electrical device.
- 2) Claims 7-14 directed to a portable electronic device with two connected sections, each section having a tubular one-piece housing.
- 3) Claims 15-20 describing a mobile telephone where a keypad is located directly above the battery without a portion of the phones engine section in between.
- 4) Claims 21-24 regarding a portable electronic device with two connected sections and a camera placed at an exterior side of the device.

**International patent classification (IPC)**  
**H04M 1/02 (2006.01)**

**Download your patent documents at [www.prv.se](http://www.prv.se)**

The cited patent documents can be downloaded at [www.prv.se](http://www.prv.se) by following the links:

- In English/Searches and advisory services/Cited documents (service in English) or
- e-tjänster/anförda dokument (service in Swedish).

Use the application number as username.

The password is **ZHRPRENCK**.

Paper copies can be ordered at a cost of 50 SEK per copy from PRV InterPat (telephone number 08-782 28 85).

Cited literature, if any, will be enclosed in paper form.

## INTERNATIONAL SEARCH REPORT

Information on patent family members

International application No.

01/09/2007

PCT/IB2007/000833

EP	1496672	A1	12/01/2005	AU	2003235164	A	00/00/0000
				US	20050158617	A	21/07/2005
				CN	1647493	A	27/07/2005
				JP	2003309633	A	31/10/2003
				WO	03088631	A	23/10/2003
-----							
EP	1209880	A2	29/05/2002	GB	0028464	D	00/00/0000
				GB	2369519	A,B	29/05/2002
				US	20020061736	A	23/05/2002
-----							
US	20050282593	A1	22/12/2005	BR	0502421	A	31/01/2006
				BR	PI0502421	A	31/01/2006
				CN	1973523	A	30/05/2007
				EP	1762085	A	14/03/2007
				WO	2006007222	A	19/01/2006
-----							
GB	2391740	A	11/02/2004	AU	2003244377	A	02/09/2003
				GB	0324057	D	00/00/0000
				US	20040132511	A	08/07/2004
				CN	1507735	A	23/06/2004
				JP	2003229938	A	15/08/2003
				WO	03067857	A	14/08/2003
-----							
US	6219257	B1	17/04/2001	NONE			
-----							
US	20040253508	A1	16/12/2004	JP	2005005199	A	06/01/2005
-----							
US	20030199290	A1	23/10/2003	AU	2003226846	A	27/10/2003
				CN	1647492	A	27/07/2005
				EP	1495624	A	12/01/2005
				FI	113130	B	27/02/2004
				FI	20020737	A	18/10/2003
				JP	2005523607	T	04/08/2005
				WO	03088629	A	23/10/2003
-----							
EP	1533983	A1	25/05/2005	CN	1638404	A	13/07/2005
				CN	1953466	A	25/04/2007
				JP	2005160081	A	16/06/2005
				KR	20050049232	A	25/05/2005
				US	20050110887	A	26/05/2005
-----							