



US00D467987S

(12) **United States Design Patent**
Lin et al.

(10) **Patent No.:** **US D467,987 S**

(45) **Date of Patent:** **** Dec. 31, 2002**

(54) **MOSQUITO-DESTROYING APPARATUS**

5,020,270 A * 6/1991 Lo 43/112

5,515,643 A * 5/1996 Lin 43/112

5,595,018 A * 1/1997 Wilbanks 43/112

(75) Inventors: **Hao-Jan Lin**, Taipei (TW); **Kuo-Tung Huang**, Taipei (TW)

* cited by examiner

(73) Assignee: **Bioware Technology Co., Ltd.**, Taipei Hsien (TW)

Primary Examiner—Catherine R. Oliver

(74) *Attorney, Agent, or Firm*—J.C. Patents

(**) Term: **14 Years**

(57) **CLAIM**

(21) Appl. No.: **29/161,340**

The ornamental design for the mosquito-destroying apparatus, as shown.

(22) Filed: **May 24, 2002**

DESCRIPTION

(51) **LOC (7) Cl.** **22-06**

FIG. 1 is a perspective view of a mosquito-destroying apparatus according to the present invention;

(52) **U.S. Cl.** **D22/122**

FIG. 2 is a top plan view thereof;

(58) **Field of Search** D22/119-125;

FIG. 3 is a front view thereof;

43/107, 112, 113, 122, 124, 132.1, 133,

FIG. 4 is a rear view thereof;

139; D26/39

FIG. 5 is a bottom plan view thereof;

(56) **References Cited**

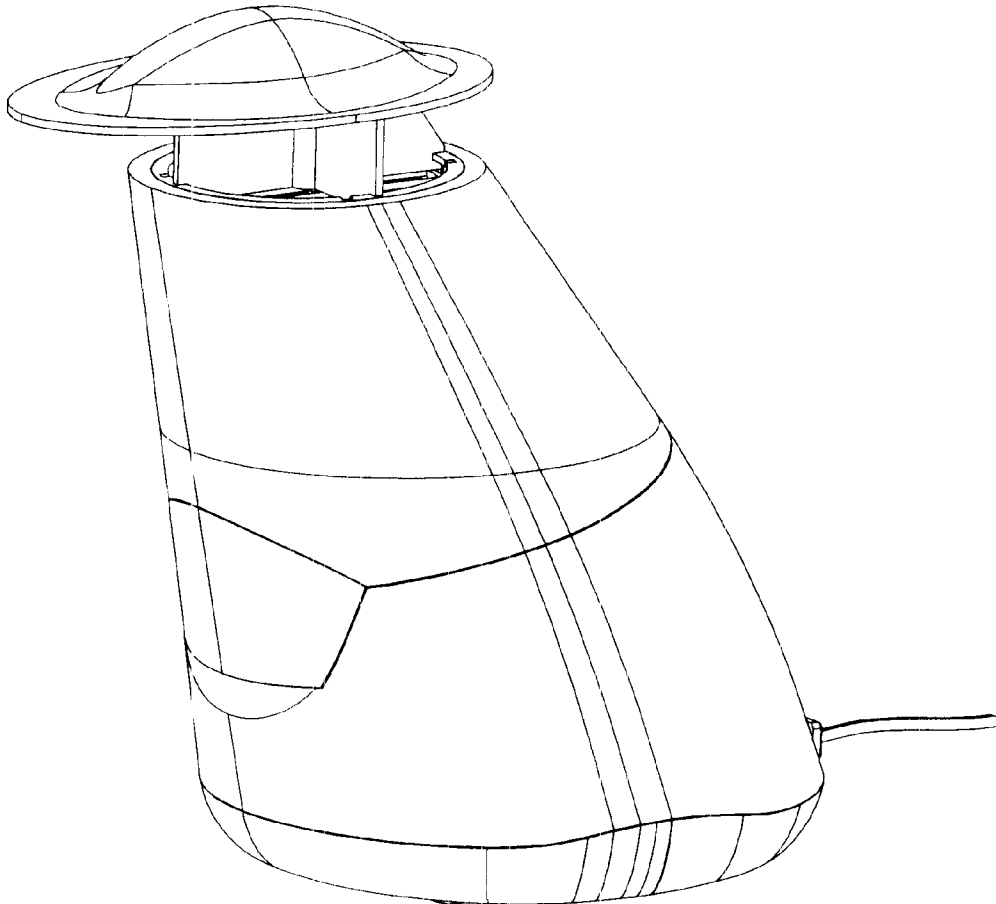
FIG. 6 is a right side view thereof; and,

U.S. PATENT DOCUMENTS

FIG. 7 is a left side view thereof.

D302,578 S * 8/1989 Lee D22/123

1 Claim, 7 Drawing Sheets



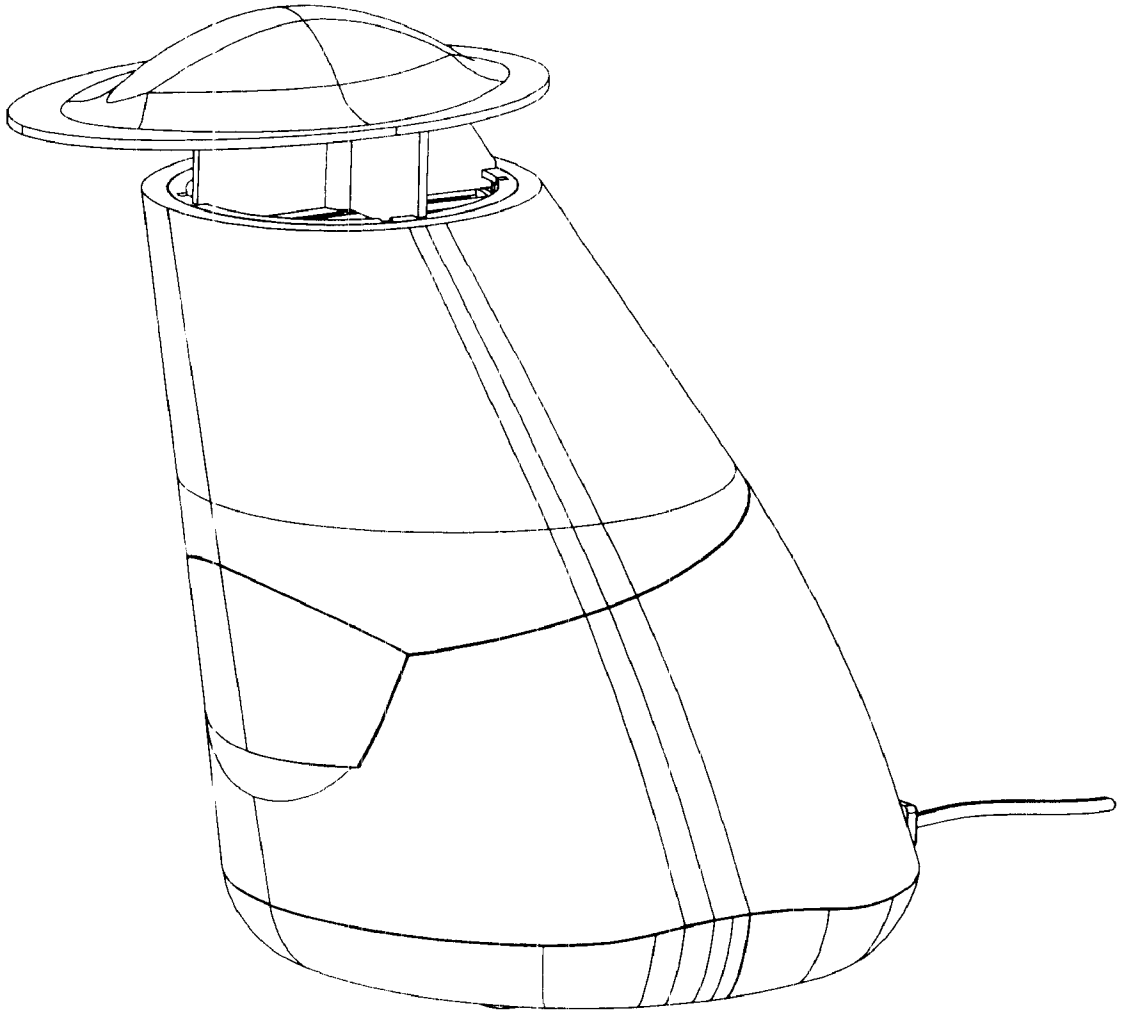


FIG. 1

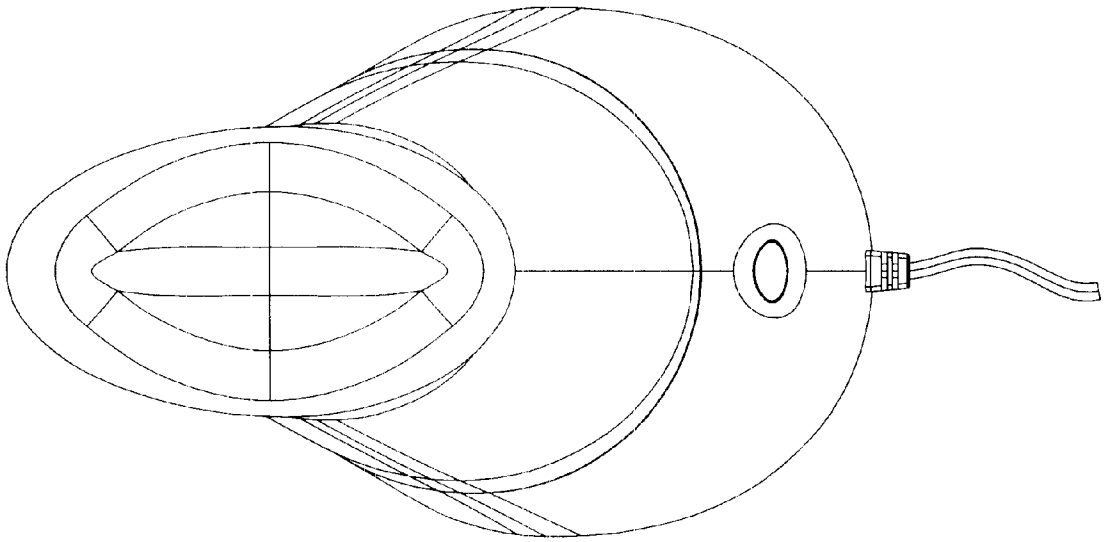


FIG. 2

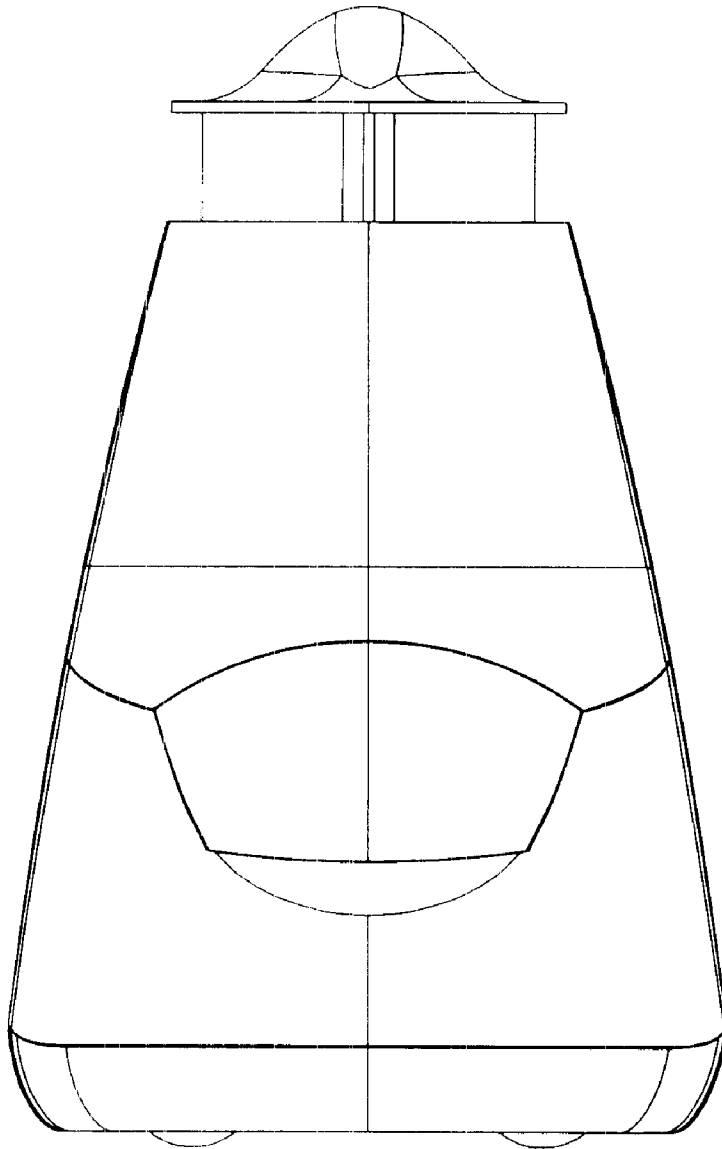


FIG. 3

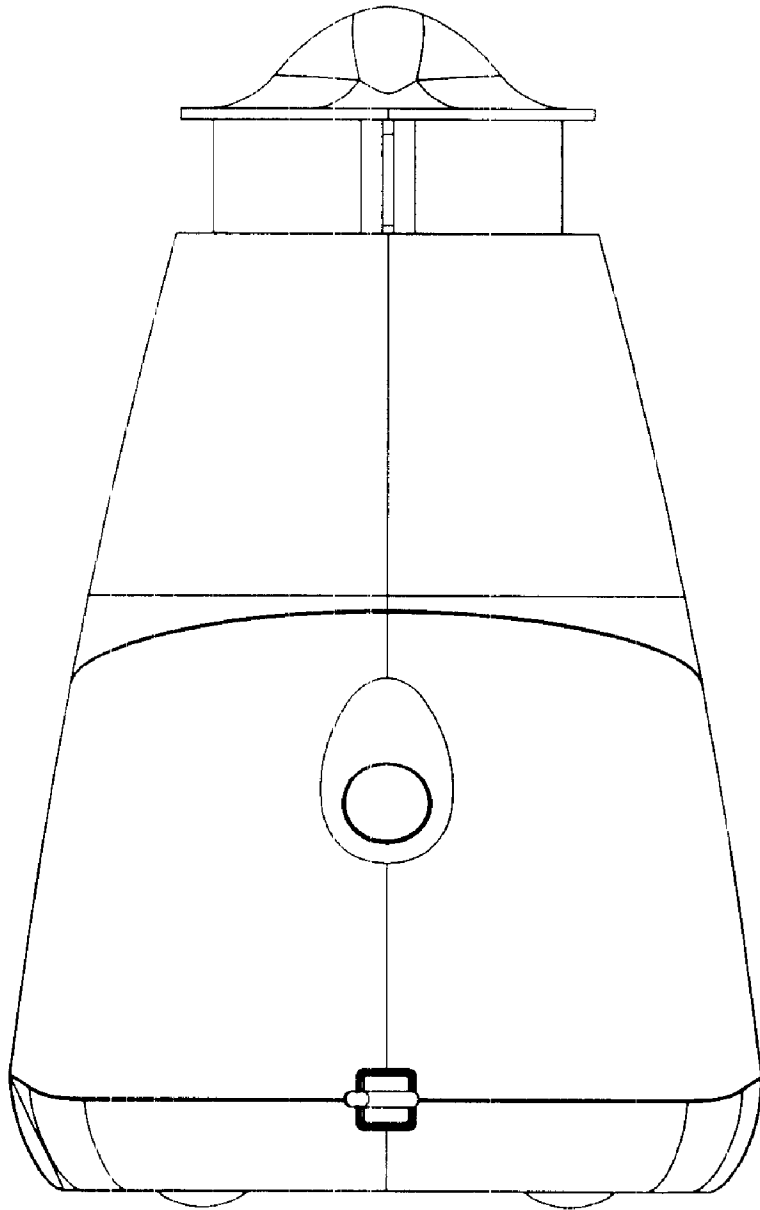


FIG. 4

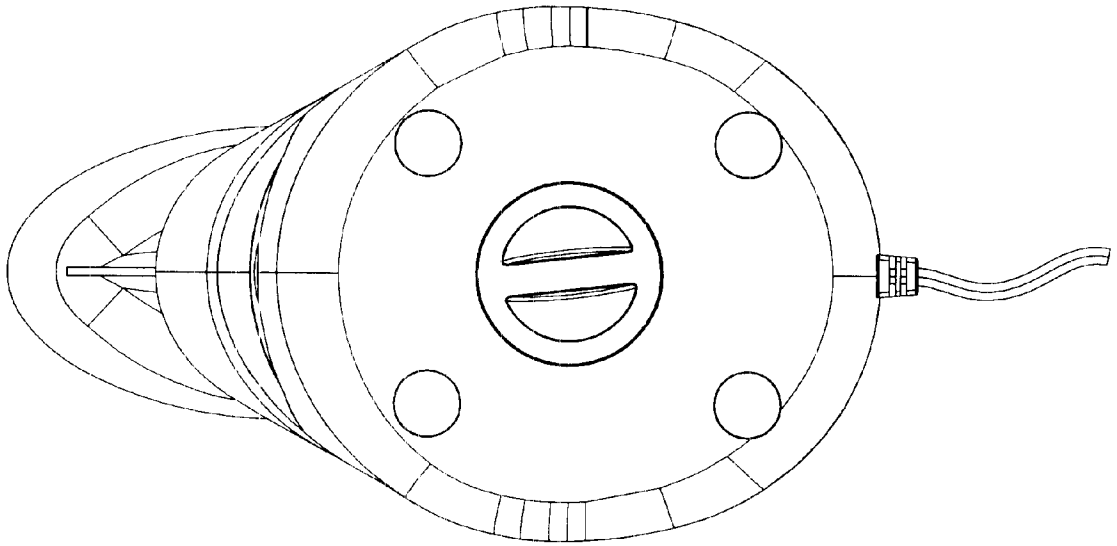


FIG. 5

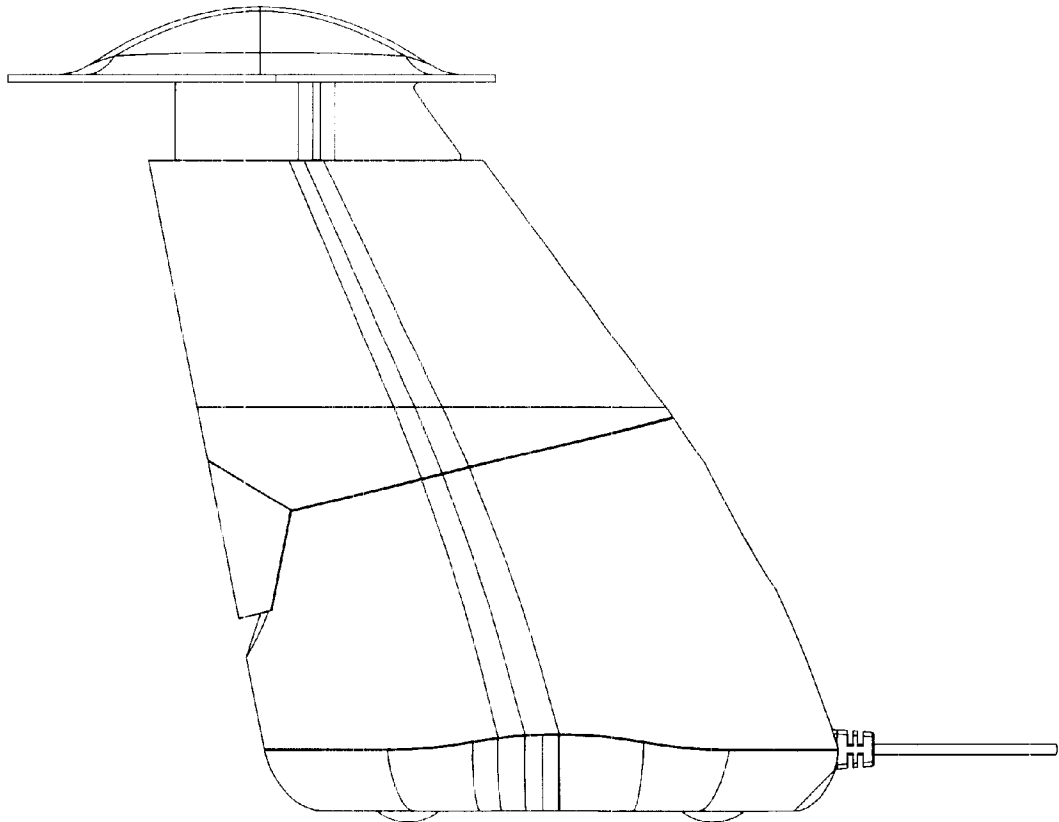


FIG. 6

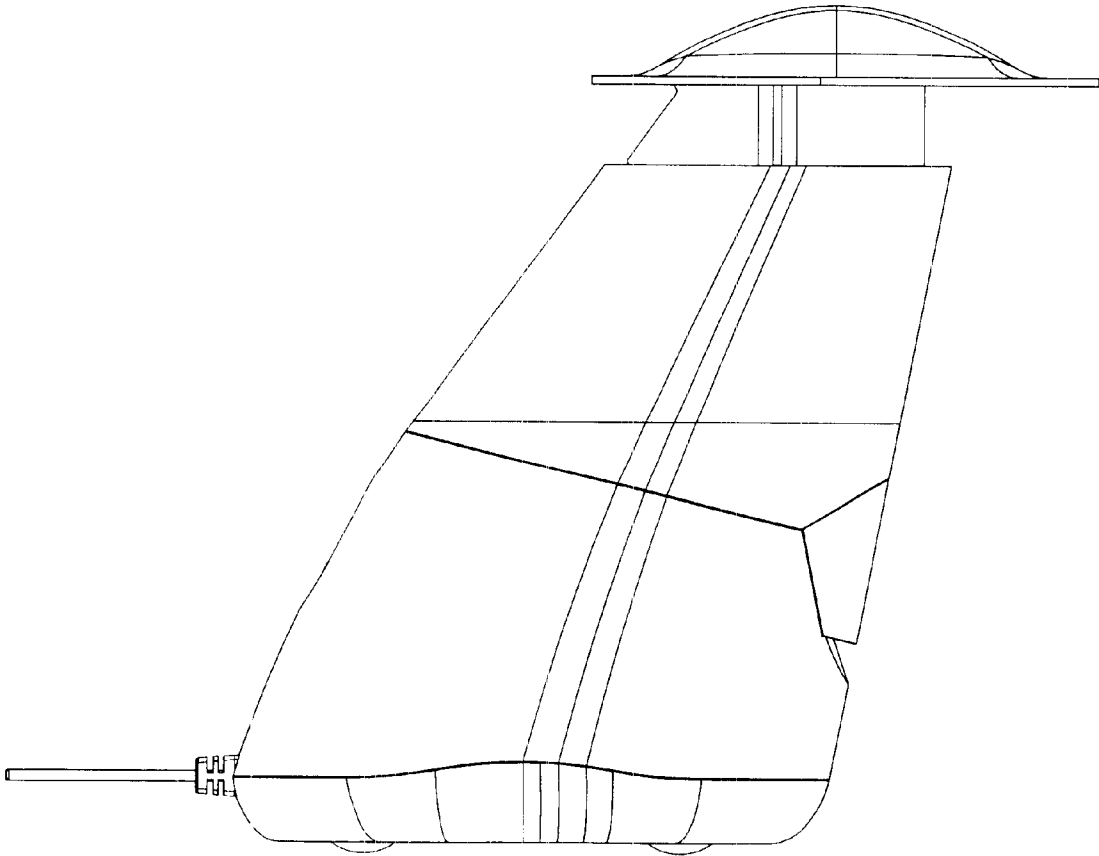


FIG. 7