



US00D563938S

(12) **United States Design Patent**
Kim et al.

(10) **Patent No.:** **US D563,938 S**

(45) **Date of Patent:** **** Mar. 11, 2008**

(54) **MOBILE PHONE**

(75) Inventors: **Bo-Ra Kim**, Seoul (KR); **Beom-Ku Han**, Seoul (KR); **Chang-Soo Lee**, Incheon (KR)

(73) Assignee: **Samsung Electronics Co., Ltd.**, Suwon-Si (KR)

(**) Term: **14 Years**

(21) Appl. No.: **29/274,853**

(22) Filed: **May 31, 2007**

(30) **Foreign Application Priority Data**

Apr. 11, 2007 (KR) 30-2007-0015831

(51) **LOC (8) Cl.** **14-03**

(52) **U.S. Cl.** **D14/138**

(58) **Field of Classification Search** D14/137, D14/138, 147, 148, 150, 168, 191, 218, 247-248, D14/341-347, 496; D10/65; D13/168; D18/7; 455/90.3, 556.1, 556.2, 575.1, 575.3, 575.4; 379/433.01-433.13; 361/814; 348/14.02
See application file for complete search history.

(56) **References Cited**

U.S. PATENT DOCUMENTS

D496,645 S * 9/2004 Yoo et al. D14/138
D511,342 S * 11/2005 Chien D14/346
D525,609 S * 7/2006 Kim et al. D14/138

(Continued)

OTHER PUBLICATIONS

Eten gfish X500, announced Oct. 2006, [online], [retrieved on Feb. 20, 2007]. Retrieved from Internet ,<URL: http://www.gsmarena.com>.*

Toshiba G900, announced Feb. 2007, [online], [retrieved on Feb. 20, 2007]. Retrieved from Internet ,<URL: http://www.gsmarena.com>.*

NEC N940, announced 4th quarter 2004, [online], [retrieved on Feb. 20, 2007]. Retrieved from Internet ,<URL: http://www.gsmarena.com>.*

LG KE850 Prada, announced Jan. 2007, [online], [retrieved on Feb. 20, 2007]. Retrieved from Internet ,<URL: http://www.gsmarena.com>.*

Asus P535, announced Nov. 2006, [online], [retrieved on Feb. 20, 2007]. Retrieved from Internet ,<URL: http://www.gsmarena.com>.*

Samsung F700, announced Feb. 2007, [online], [retrieved on Feb. 8, 2007]. Retrieved from Internet ,<URL: http://www.gsmarena.com>.*

Primary Examiner—Jeffrey Asch

Assistant Examiner—Bridget L Eland

(74) *Attorney, Agent, or Firm*—Staas & Halsey LLP

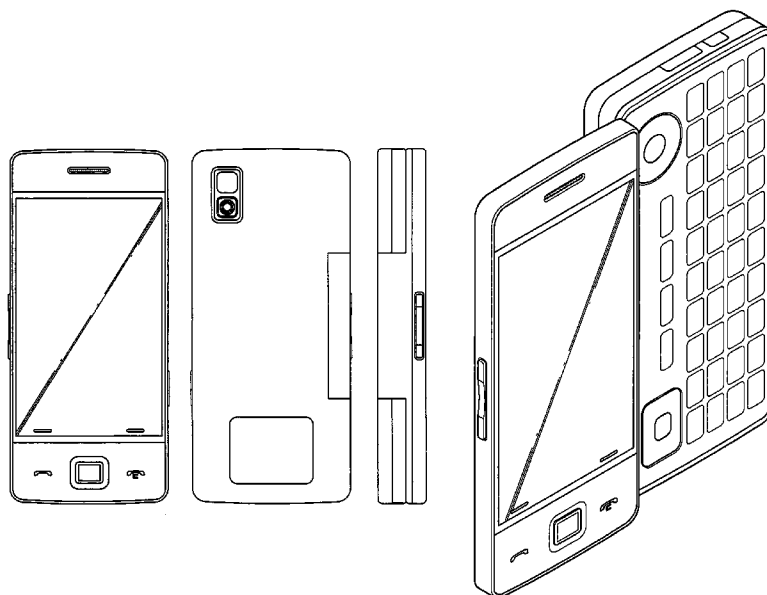
(57) **CLAIM**

The ornamental design for a mobile phone, as shown and described.

DESCRIPTION

FIG. 1 is a perspective view of a mobile phone;
FIG. 2 is a front view of the mobile phone of FIG. 1;
FIG. 3 is a rear view of the mobile phone of FIG. 1;
FIG. 4 is a left-side view of the mobile phone of FIG. 1;
FIG. 5 is a right-side view of the mobile phone of FIG. 1;
FIG. 6 is a top plan view of the mobile phone of FIG. 1;
FIG. 7 is a bottom plan view of the mobile phone of FIG. 1;
and,
FIG. 8 is an open perspective view of the mobile phone of FIG. 1 where slid along the horizontal axis.

1 Claim, 3 Drawing Sheets



US D563,938 S

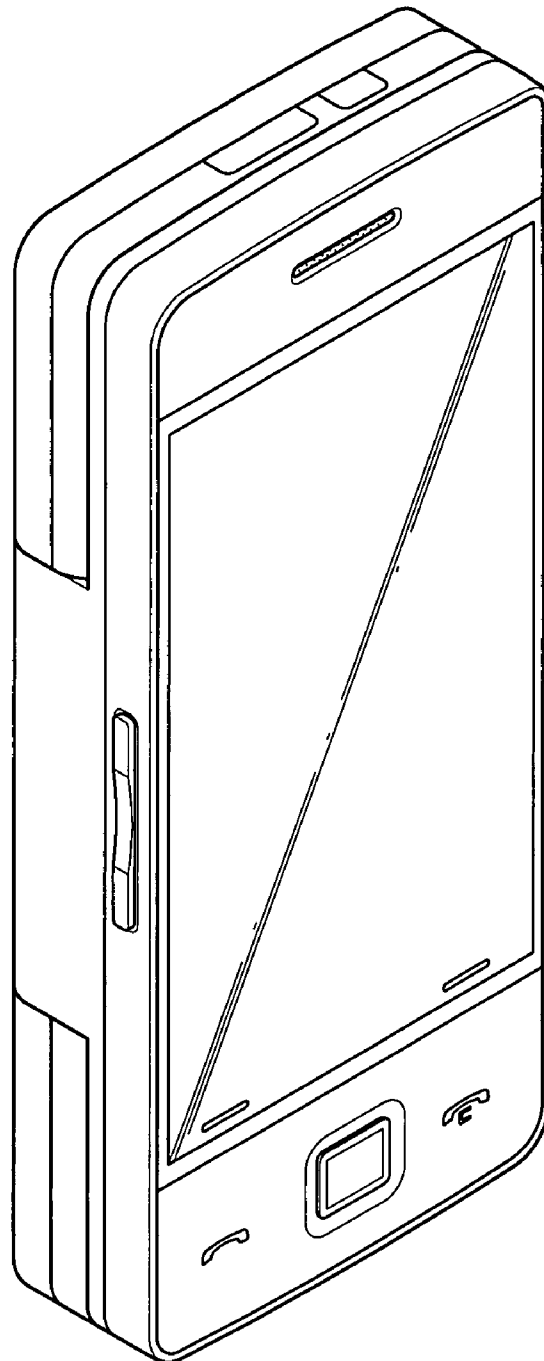
Page 2

U.S. PATENT DOCUMENTS

D526,301 S *	8/2006	Shin	D14/138	D551,646 S *	9/2007	Kim et al.	D14/138
D528,532 S *	9/2006	Dimitriadis et al.	D14/138	D551,647 S *	9/2007	Kim et al.	D14/138
7,107,018 B2 *	9/2006	Jellicoe	455/90.3	2005/0124381 A1 *	6/2005	Kim et al.	455/556.1
D531,611 S *	11/2006	Kim et al.	D14/138	2005/0250532 A1 *	11/2005	Hwang et al.	455/550.1
D531,977 S *	11/2006	Kim et al.	D14/138	2005/0250563 A1 *	11/2005	Nan	455/575.4
D534,891 S *	1/2007	Park et al.	D14/138	2005/0266897 A1 *	12/2005	Ahn et al.	455/575.1
7,181,256 B2 *	2/2007	Hyun et al.	455/575.3	2006/0046796 A1 *	3/2006	Park et al.	455/575.4
D544,460 S *	6/2007	Yau	D14/138	2006/0063569 A1 *	3/2006	Jacobs et al.	455/575.1
D548,214 S *	8/2007	Kim et al.	D14/138	2006/0205450 A1 *	9/2006	Amano et al.	455/575.4
D548,713 S *	8/2007	Lee et al.	D14/138	2007/0123322 A1 *	5/2007	Mizushina	455/575.1
D549,204 S *	8/2007	Cho	D14/138	2007/0142101 A1 *	6/2007	Seshagiri et al.	455/575.4
D551,201 S *	9/2007	Kim et al.	D14/138				

* cited by examiner

FIG. 1



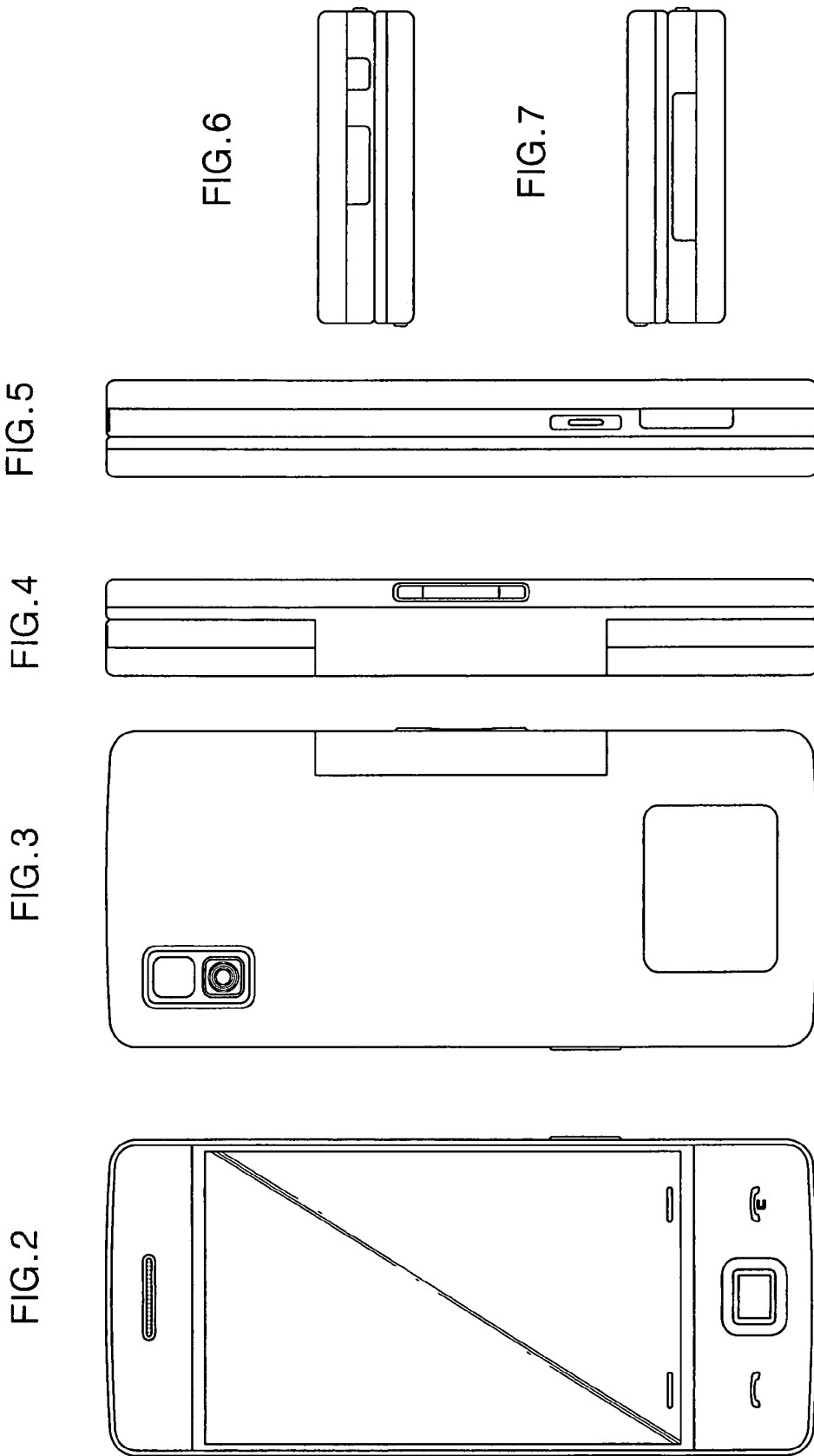


FIG. 8

