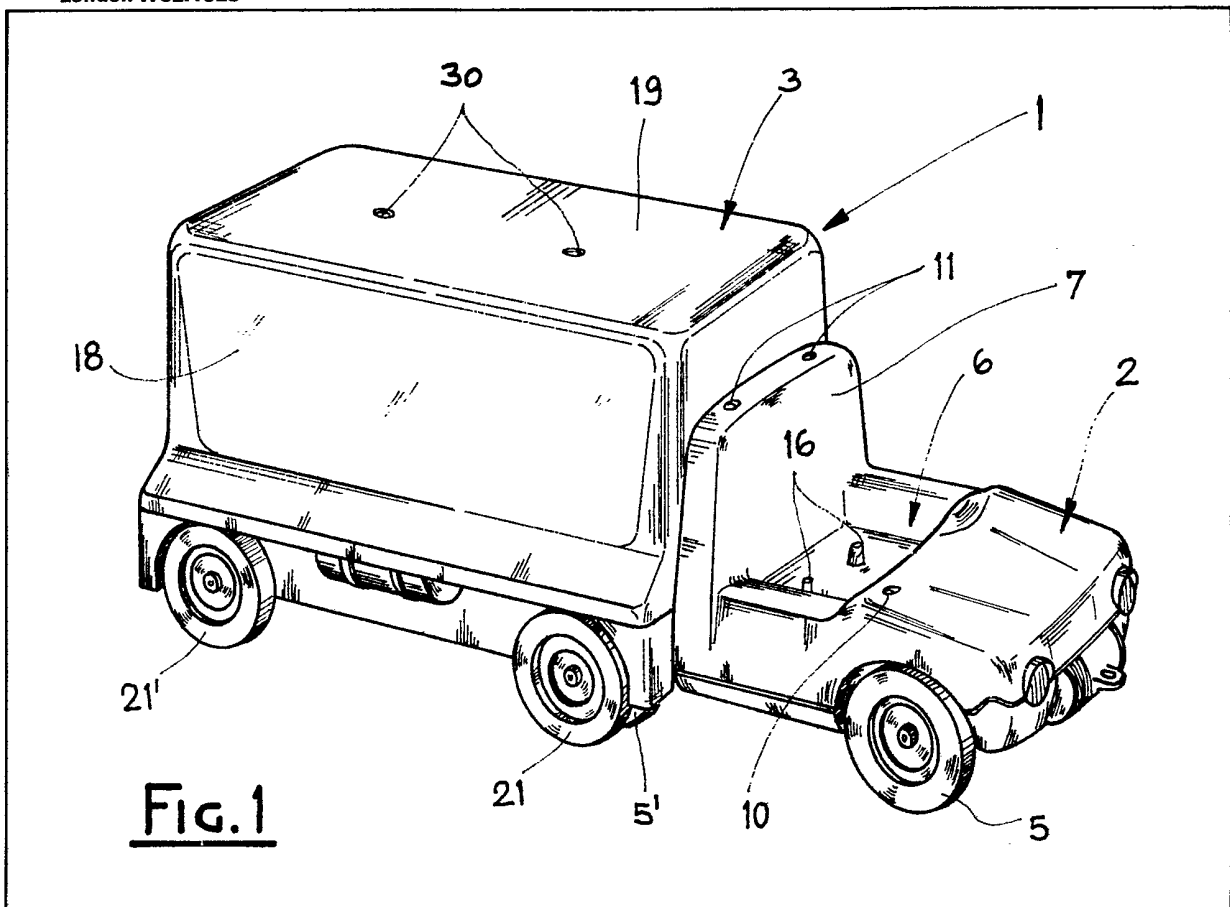


- (21) Application No 8100409
- (22) Date of filing 8 Jan 1981
- (30) Priority data
- (31) 20489U
- (32) 14 Jan 1980
- (33) Italy (IT)
- (43) Application published
19 Aug 1981
- (51) INT CL³
A63H 17/00
- (52) Domestic classification
A6S 19A1A 19D4
- (56) Documents cited
GB 1442585
GB 477371
US 4170840 A
- (58) Field of search
A6S
- (71) Applicants
Eurostil s.r.l.,
Strada Provinciale
Vittuone, Santo Stefano
Ticino, 20010 Arluno,
Milano, Italy
- (72) Inventor
Mario Colnaghi
- (74) Agents
Marks & Clerk,
57-60 Lincolns Inn Fields,
London WC2A 3LS

(54) A toy vehicle

(57) A toy vehicle consists of a car (2) and trailer (1) having at its front end an opening capable of receiving the rear end of the car. Thus the car and trailer may be selectively assembled in each of two configurations viz. with the car articulated to the trailer and with the rear of the car within the front end of the trailer, (as shown) to form a vehicle resembling a light truck.



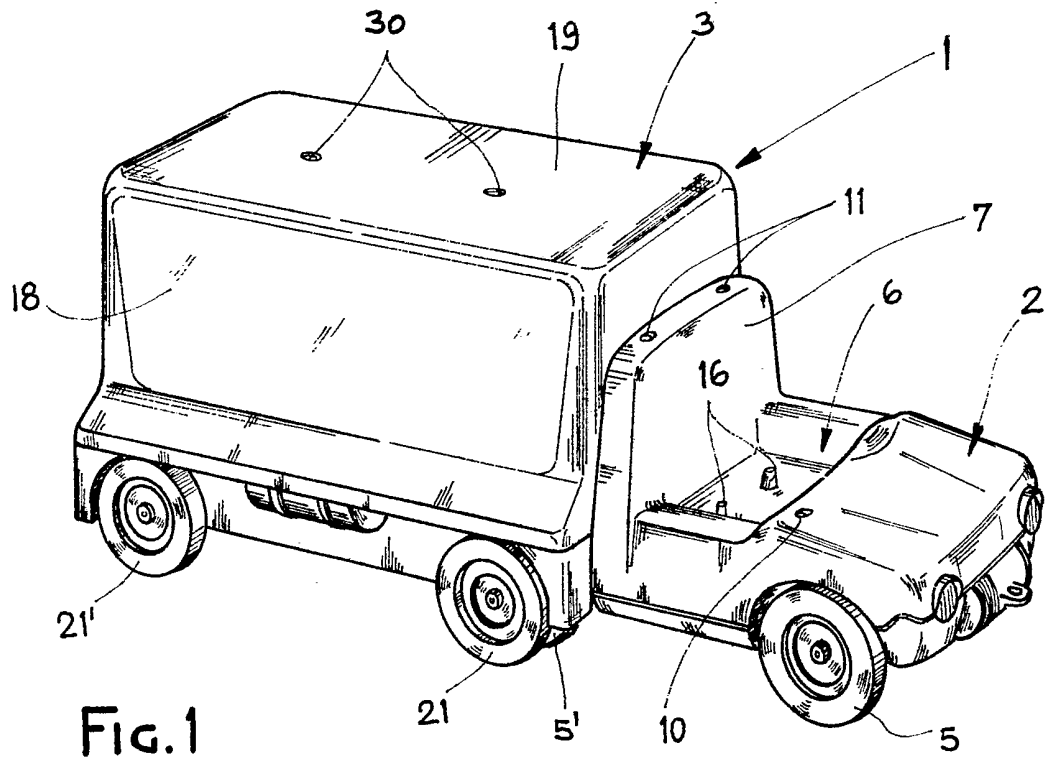


FIG. 1

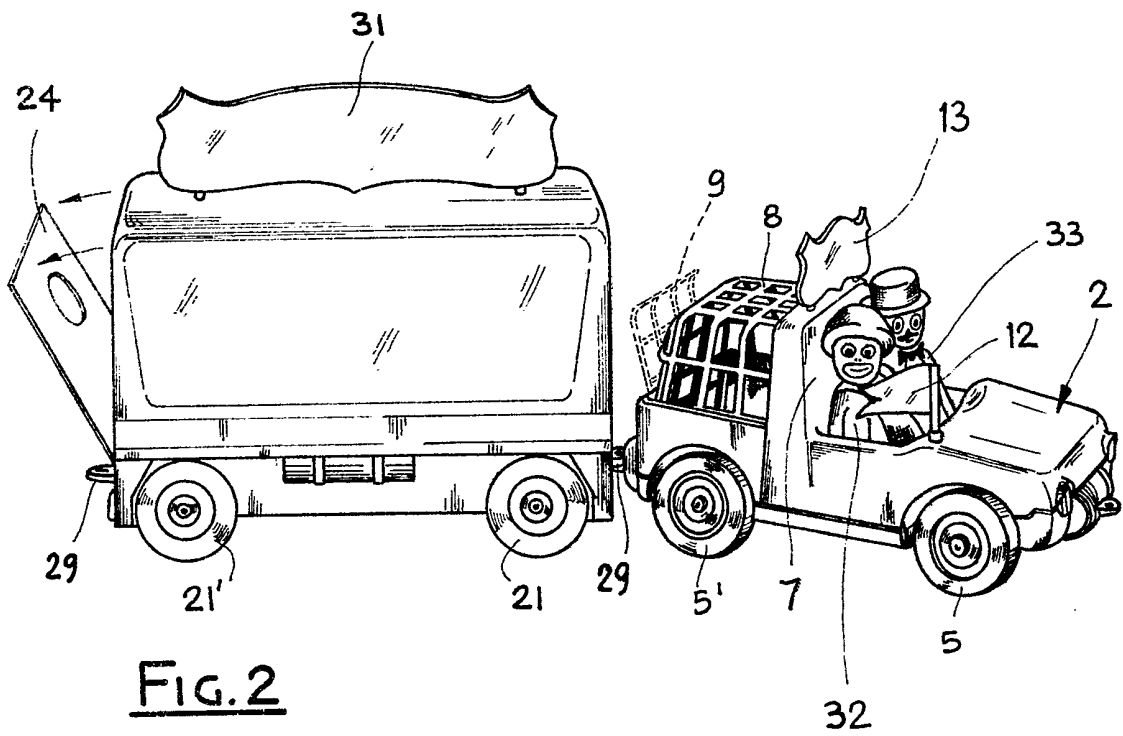


FIG. 2

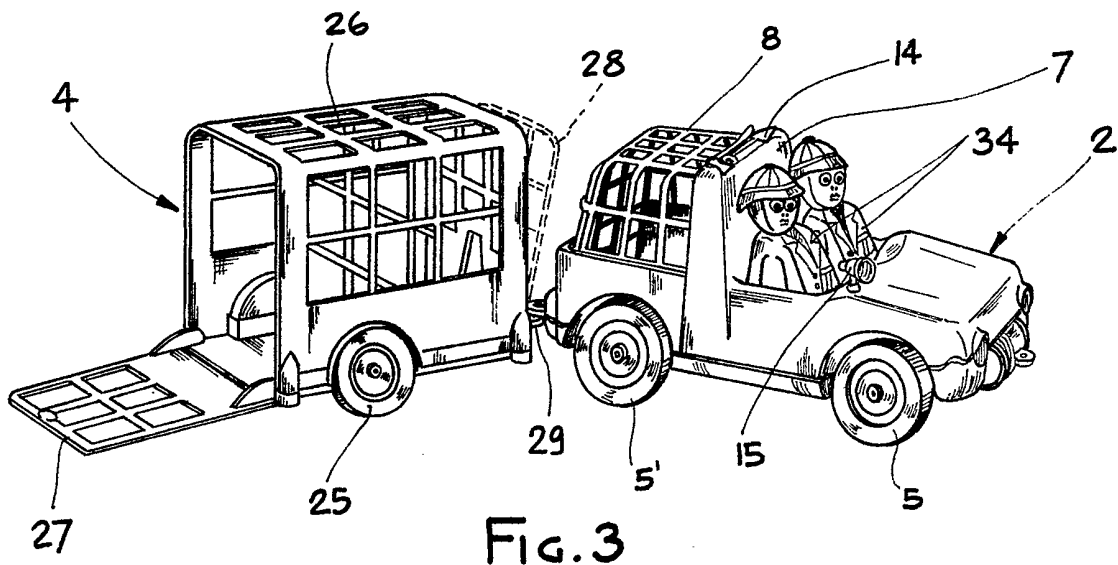


FIG. 3

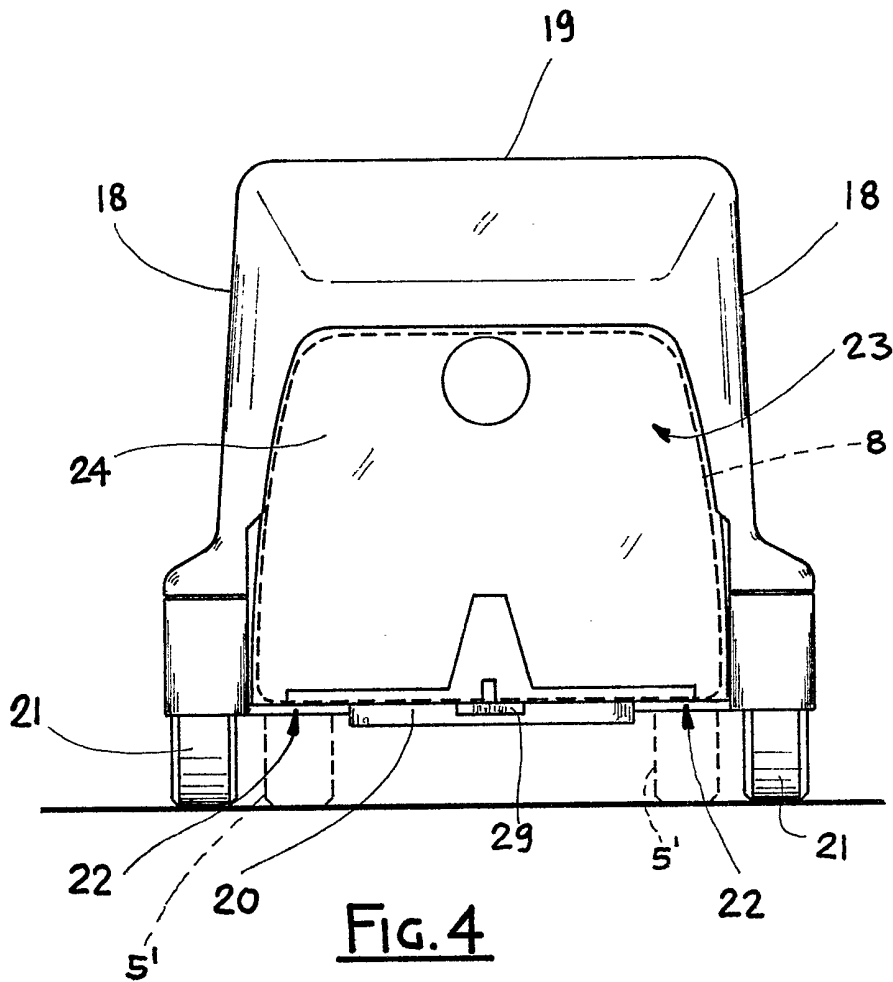


FIG. 4

SPECIFICATION

A toy-vehicle

5 The present invention relates to a toy-vehicle
 comprised of a set of at least two integrated compo-
 nents, each having an independent function if sepa-
 rated and an integrated function if connected, and
 provided with simulated or real motorisation by
 10 means of any actuating device, the toy being compr-
 ised of a first movable component equipped as a
 closed or open body, capable to partly receive and to
 be associated to a second component acting as a
 tractor, sufficient per se to be preferably defined as a
 15 light truck.

Particularly, this toy looks as a truck, disassembl-
 able into independent components comprised of at
 least a light truck and a trailer-shaped body, and in
 case of a trolley, capable to be separately used or
 20 connected to each other in different ways.

The light truck is provided with four wheels and
 with a back cage having a drawbridge door; the
 trailer is four-wheeled with closed walls, and is pro-
 vided with a fore wing door that may be inwards
 25 opened, and with a back drawbridge door, whereas
 the trolley supports a cage formed of two parts and
 provided with fore and back drawbridge doors.

The trailer is further so arranged as to receive by
 insertion, into its fore portion, the caged back por-
 tion of the light truck, thereby changing itself into a
 truck on which, through the back drawbridge door,
 30 said cage holding/trolley is loaded.

In order to better understand the present inven-
 tion, a detailed description thereof will be made, in
 35 connection with the accompanying drawings, in
 which:

figure 1 is a perspective view of the toy, in which
 the several connected components form a single
 truck;

40 figure 2 shows the light truck removed of the
 trailer but towing it;

figure 3 shows the same light truck towing the
 caged trolley; and

45 figure 4 is a front view of the trailer with the open-
 ing into which the back portion of the light truck is
 inserted, and further provided with a wing door that
 may be inwards opened.

With reference to these figures, it can be seen that
 the truck-shaped toy 1 can be disassembled into a
 50 light truck 2, a trailer 3 and a trolley 4.

The light truck 2 is provided with fore and back
 wheels 5 and 5', respectively, and with a passenger
 compartment 6 separated from the body by a seat
 back 7. A cage 8 provided with a shutter 9 is located
 55 in the body. On the bonnet and on the seat back
 holes 10 and 11 are provided into which the ends of
 the flag 12, of the festoon 13, of the tools 14 and of
 the headlight 15 can be inserted.

In the passenger compartment 6 two pins 16 are
 60 provided, adapted to secure as many sitting puppets
 representing the crew of the vehicle.

The trailer 3 is provided with closed side-walls 18
 and a roof 19, while its lower portion consists of a
 platform 20 supporting the fore and back wheels 21
 65 and 21', respectively. The axle base of these wheels

is greater than that of the wheels 5 and 5' of the light
 truck 2. The platform 20 is further provided, on its
 front portion, with two grooves 22 into which the
 back wheels 5' of the light truck are located when the
 70 latter is inserted into the trailer 3 to form the truck 1.

The fore portion of the trailer 3 has a so shaped
 opening 23 as to allow the passage of the cage 8 of
 the light truck up to the seat back 7. However, when
 the trailer 3 is separated from the light truck 2, said
 75 opening 23 may be closed by a wing door, not
 shown in the drawings.

Also the back portion of the trailer 3 is provided
 with an opening, that may be closed by a drawbridge
 door pivotally mounted on the platform 20.

80 The door 24, when lowered, forms a load chute
 through which some articles may be inserted in or
 taken out from the trailer 3.

Particularly, within the trailer 3 a cage-holding trol-
 ley 4 can be located.

85 This trolley 4 is comprised of a base body provided
 with two wheels 25 and of an upper cage 26 formed
 of two parts, each of which is accessible through the
 drawbridge doors 27 and 28, respectively.

Each component 2, 3 and 4 is provided with hook
 90 means 29 to allow them to be mutually towed so that
 the toy, in addition to be used as a truck when said
 components are fitted into each other, allows the use
 of the light truck 2 alone, or of the towing of the trailer
 3, or of the trolley 4 only, or of both the trailer 3 and
 95 the trolley 4, and vice versa.

The roof of the trailer 3 is further provided with
 holes 30 into which the supporting pivots of the fes-
 toon 31 can be inserted.

As can be seen, by means of the fittings 12, 13 and
 100 31 or the fittings 14 and 15, the components 2, 3 and
 4 can be freely changed into means representing cir-
 cus or safari vehicles.

In order to better depict the chosen environment
 of the toy, the puppets located in the driving com-
 105 partment of the light truck are manufactured dressed
 up as a clown 32, or with top-hat and tail-coat 33, or
 with sun-helmet and colonial uniform 34.

On the festoons 13 and 31 and on the closed walls
 decals and self-adhesive labels corresponding to the
 110 environment of the circus, a safari or the like may be
 further applied.

The door 9 of the cage 8 located on the light truck
 2, the door of the fore opening 23 and the back door
 24 of the trailer 3, as well as the doors 27 and 28 of
 the cage 26 of the trolley 4 allow puppets or animals
 115 to be inserted in or extracted from the various com-
 ponents offering free play to children's fancy.

CLAIMS

1. Disassemblable toy-vehicle comprised of a set
 120 of at least two integrated components, each having
 an independent function if separated and an inte-
 grated function if connected and provided with simu-
 lated or real motorisation by means of any actuating
 device, the toy being comprised of a first movable
 component equipped as a closed or open body, cap-
 125 able to partly receive and to be associated to a sec-
 ond component acting as a tractor, sufficient per se
 to be preferably defined as a light truck.

2. Disassemblable toy-vehicle as claimed in
 130 claim 1, wherein said first component is capable to

support or tow further conveyance-simulating toys, preferably a component shaped as a cage for animals.

3. Disassemblable toy-vehicle as claimed in claim 1, wherein minor toys, such as crew and/or animals, are provided as integrating and functional elements.
- 5 4. Disassemblable toy-vehicle as claimed in claim 1, wherein said body is so shaped as a closed-walls trailer provided with a fore wing door that can be inwards opened and a back drawbridge door, or with a two-wheeled trolley supporting a cage formed of two portions, each provided with a door.
- 10 5. Disassemblable toy-vehicle as claimed in claim 1, wherein the fore portion of the trailer is provided with an opening adapted to receive the back portion of said light truck, and the platform is provided with grooves into which the back wheels of said light truck are inserted when it is inserted into said trailer, the axles of the back and fore wheels of the respective bodies being, or not, coincident.
- 20 6. Disassemblable toy-vehicle as claimed in claim 1, wherein the light truck, the trailer and the trolley are all provided with hooking means.
- 25 7. Disassemblable toy-vehicle as claimed in claim 1, wherein the light truck is provided with hooking holes on the seat back and on the bonnet.
- 30 8. Disassemblable toy-vehicle as claimed in claim 1, wherein the trailer is provided with hooking holes on the roof.
9. Disassemblable toy-vehicle as claimed in claim 1, wherein fittings such as festoons, flag and puppets dressed up as clowns having top-hat and tail-coat are provided, forming the equipment to convert the toy in a circus set.
- 35 10. Disassemblable toy-vehicle as claimed in claim 1, wherein fittings such as tools, headlight and puppets dressed up with sun-helmet and colonial uniform are provided, forming the equipment to convert the toy in a safari set.
- 40 11. Disassemblable toy-vehicle as claimed in claim 1, wherein the side and upper walls of the trailer are adapted to receive decals and self-adhesive labels.
- 45 12. A toy vehicle comprising a car and a trailer having at its front end an opening capable of receiving the rear end of the car, whereby the car and trailer may be selectively assembled in each of two configurations, namely, with the car articulated to the trailer and with the rear of the car contained within the front end of the trailer to form a vehicle resembling a light truck.
- 50 13. A toy vehicle constructed and arranged substantially as herein described with reference to and as illustrated in the accompanying drawings.
- 55