



US00D550862S

(12) **United States Design Patent**
Brabeck et al.

(10) **Patent No.:** **US D550,862 S**

(45) **Date of Patent:** **** Sep. 11, 2007**

(54) **SECTION**

(75) Inventors: **Steve John Brabeck**, Ormeau (AU);
Peter Alexander Bouma, Ormeau (NZ)

(73) Assignee: **IPH International Pty Ltd**, Ormeau,
Queensland (AU)

(**) Term: **14 Years**

(21) Appl. No.: **29/247,447**

(22) Filed: **Jun. 19, 2006**

(30) **Foreign Application Priority Data**

Dec. 19, 2005 (AU) 200515624

(51) **LOC (8) Cl.** **25-01**

(52) **U.S. Cl.** **D25/124**

(58) **Field of Classification Search** D25/38,
D25/45, 39, 121, 125, 124; 256/59, 65.01,
256/68, 65.02, 65.03, 65.04, 65.05, 65.06,
256/65.07, 65.08, 5, 65.09, 19, 65.12, 45,
256/47, 24; 248/218.4, 219.1, 218
See application file for complete search history.

(56) **References Cited**

U.S. PATENT DOCUMENTS

3,879,017 A * 4/1975 Maxcy et al. 256/65.08

D237,271 S * 10/1975 Edwards D25/122
4,390,165 A * 6/1983 Murdock 256/24
D324,576 S * 3/1992 Bell D25/122
5,704,690 A * 1/1998 Schwartz 297/451.9
5,938,184 A * 8/1999 DeSouza 256/19
D432,672 S * 10/2000 Grosfillex D25/124

* cited by examiner

Primary Examiner—Doris Clark

(74) *Attorney, Agent, or Firm*—Workman Nydegger

(57) **CLAIM**

The ornamental design for a section, as shown and described.

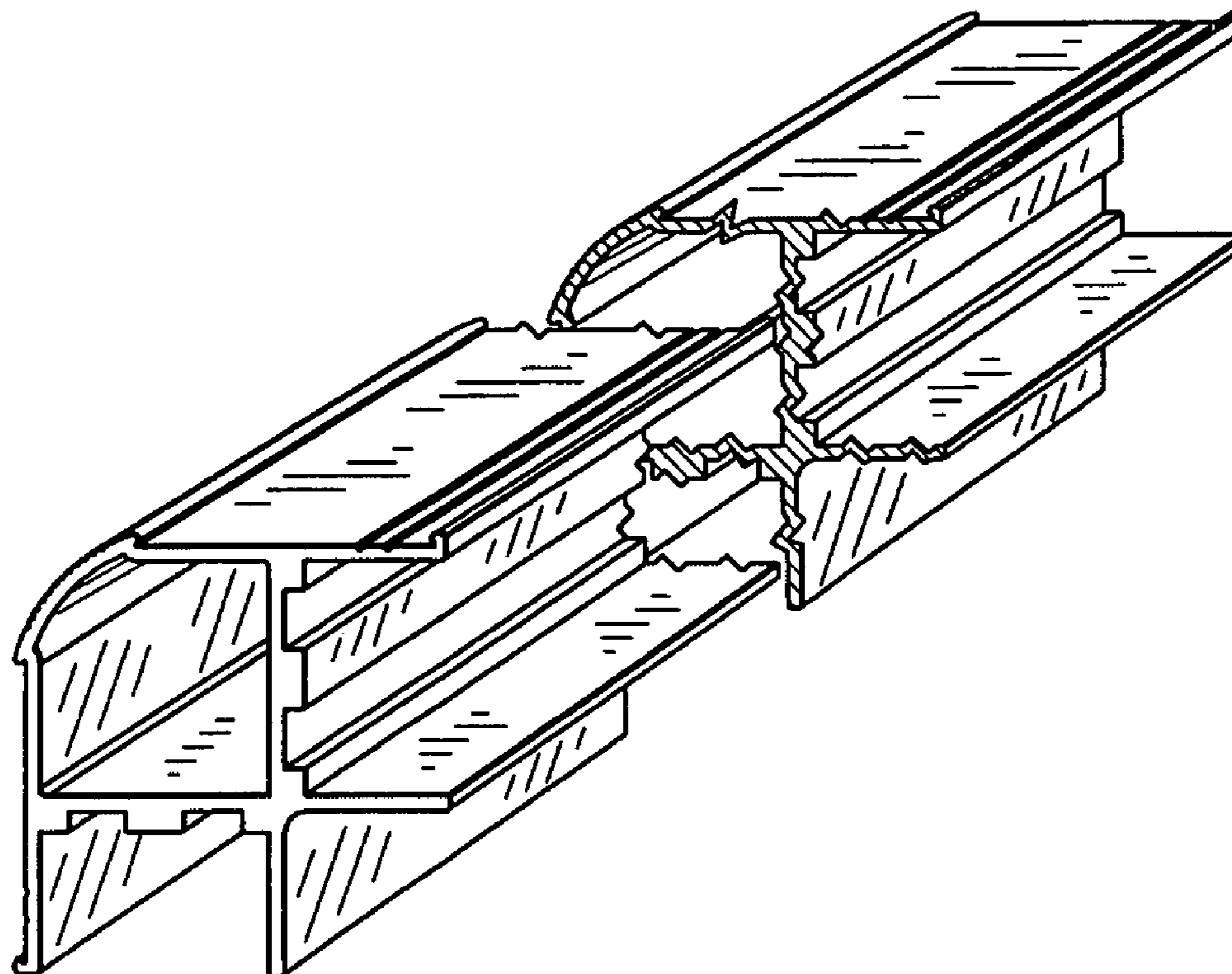
DESCRIPTION

FIG. 1 is an end view of a section showing our new design; FIG. 2 is a perspective view of the section shown in FIG. 1 showing the right side view and the top view; and,

FIG. 3 is an inverted perspective view of the section shown in FIG. 1 showing the left side view and the bottom view.

The end view not shown is a mirror image of the end shown in FIG. 1 and the section is of indefinite length.

1 Claim, 1 Drawing Sheet



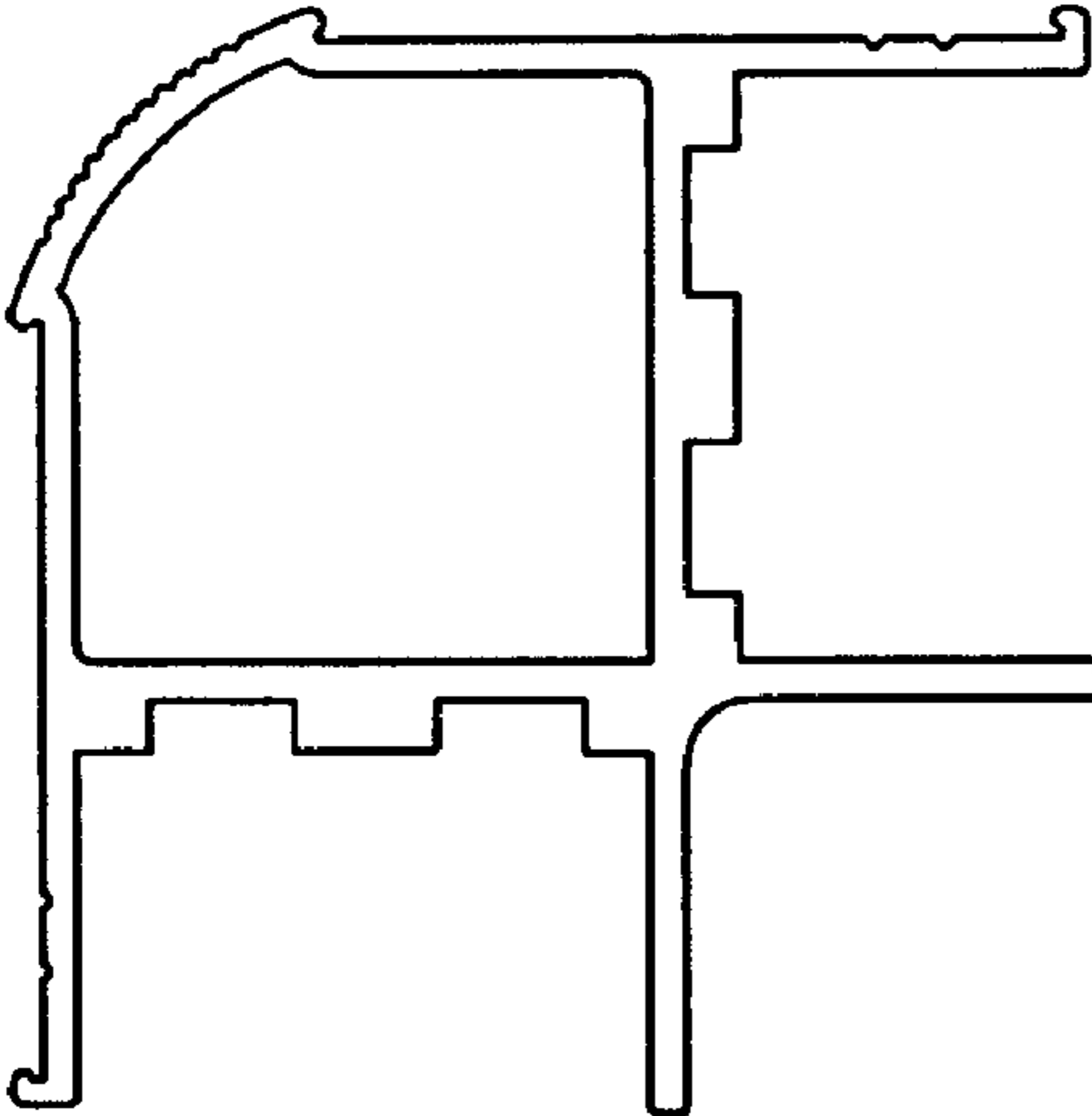


Fig. 1

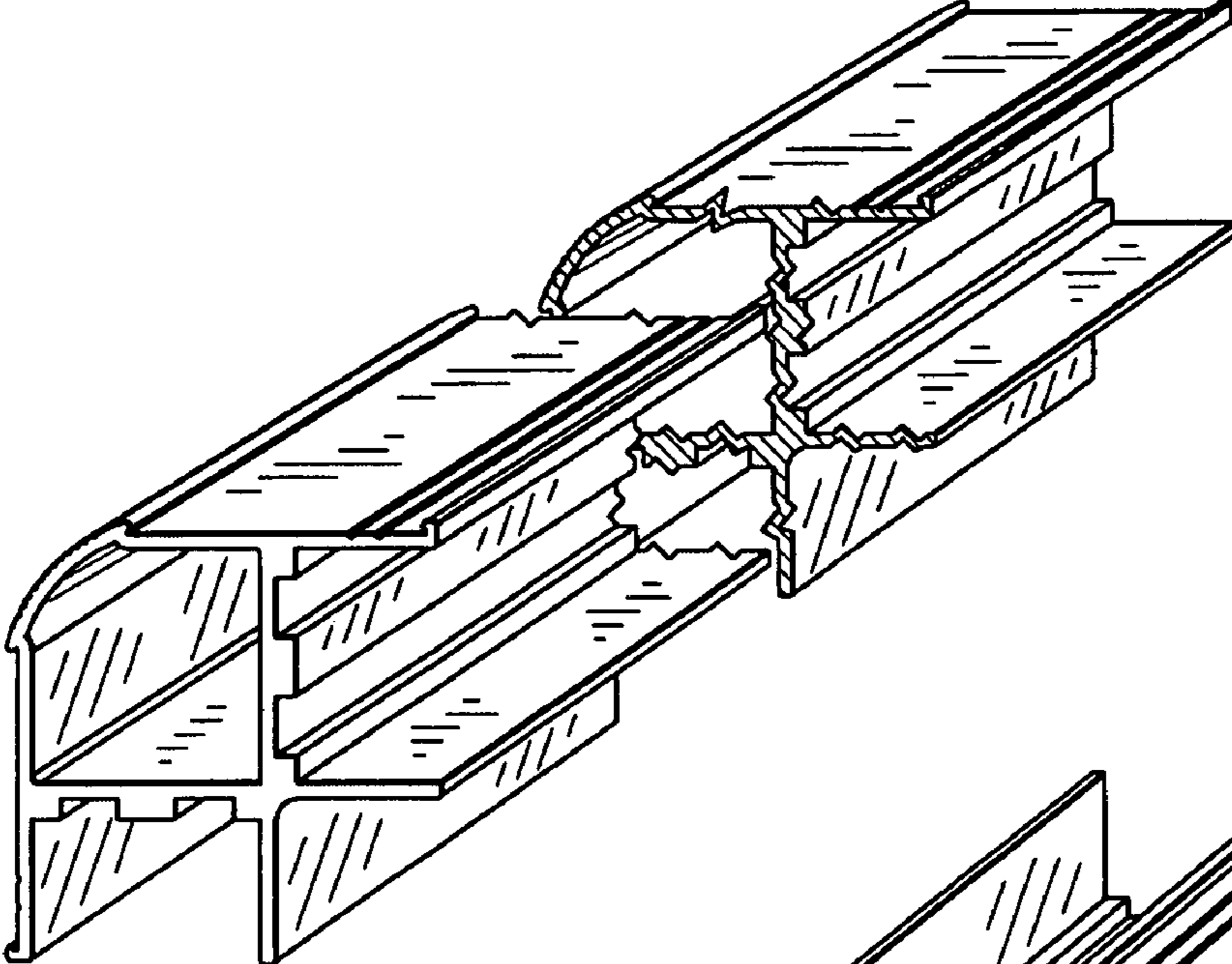


Fig. 2

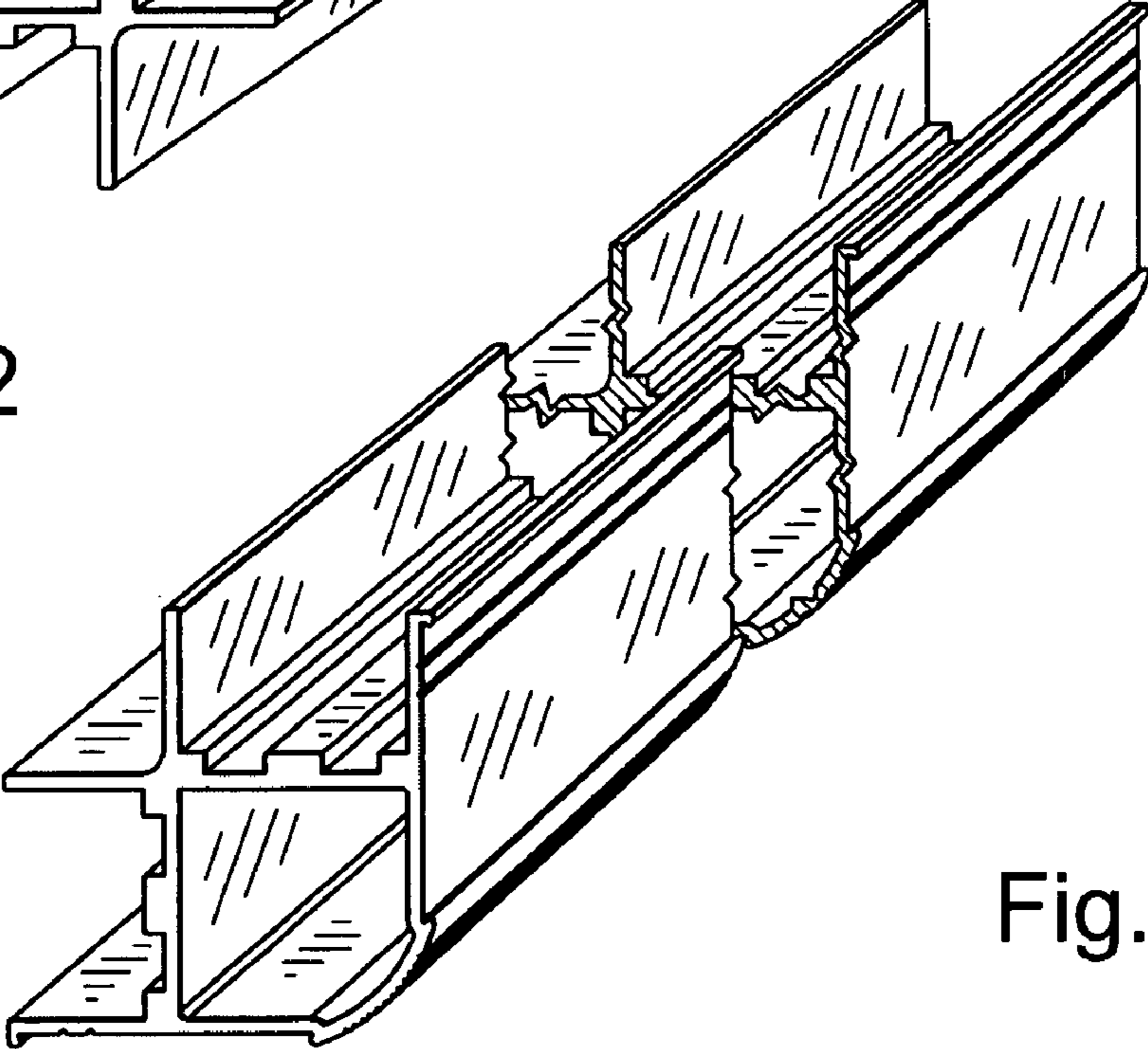


Fig. 3