



US00D575429S

(12) **United States Design Patent**
Shiu

(10) **Patent No.:** **US D575,429 S**

(45) **Date of Patent:** **** Aug. 19, 2008**

(54) **LANTERN**

D537,968 S * 3/2007 Shiu D26/40

D564,112 S * 3/2008 Jen D26/40

(75) Inventor: **Stephanie Wai Man Shiu**, Kowloon
(HK)

(73) Assignee: **Gold Coral International Limited**, San
Po Kong, Kowloon (HK)

* cited by examiner

Primary Examiner—Marcus A. Jackson

(74) *Attorney, Agent, or Firm*—Joseph G. Swan, PC

(**) Term: **14 Years**

(21) Appl. No.: **29/302,604**

(57) **CLAIM**

(22) Filed: **Jan. 20, 2008**

The ornamental design for a lantern, as shown and described.

(30) **Foreign Application Priority Data**

DESCRIPTION

Jul. 24, 2007 (HK) 0701917.3M004

(51) **LOC (8) Cl.** **26-02**

FIG. 1 is front elevational view of a lantern according to the present invention.

(52) **U.S. Cl.** **D26/40**

FIG. 2 is a rear elevational view of the lantern.

(58) **Field of Classification Search** D26/37-50;
362/157, 158, 171-174, 183-208

FIG. 3 is a right side elevational view of the lantern.

See application file for complete search history.

FIG. 4 is a left side elevational view of the lantern.

(56) **References Cited**

FIG. 5 is a top plan view of the lantern; and,

FIG. 6 is a bottom plan view of the lantern.

U.S. PATENT DOCUMENTS

D440,677 S * 4/2001 Long et al. D26/40

1 Claim, 3 Drawing Sheets

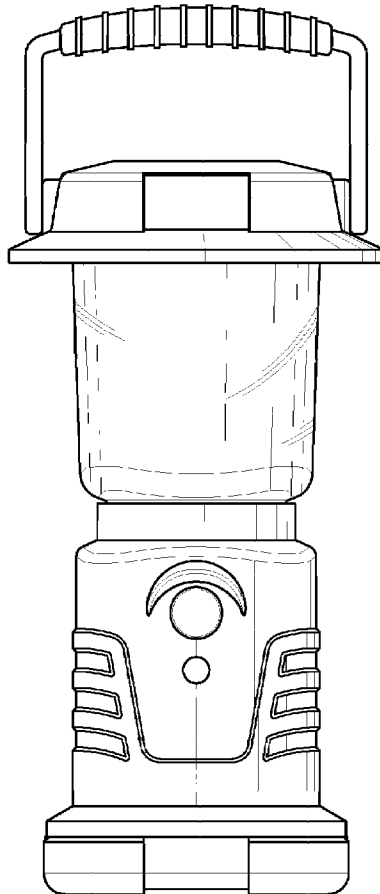


FIG. 2

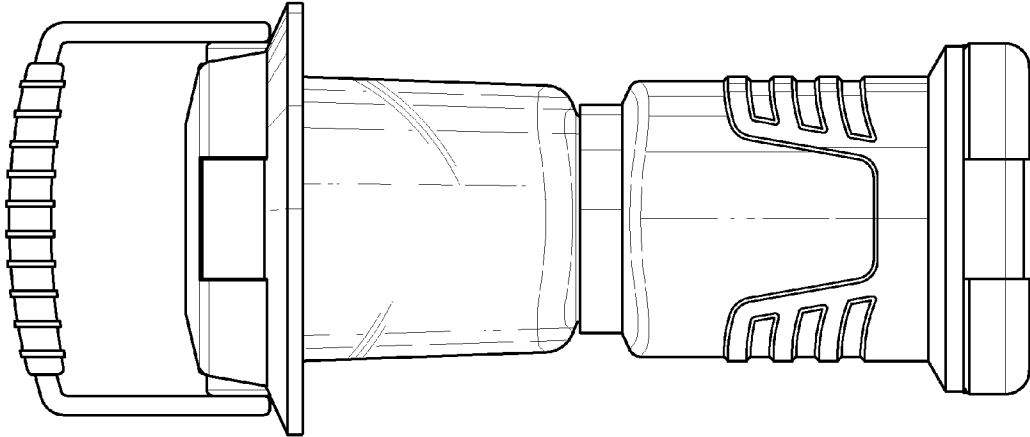


FIG. 1

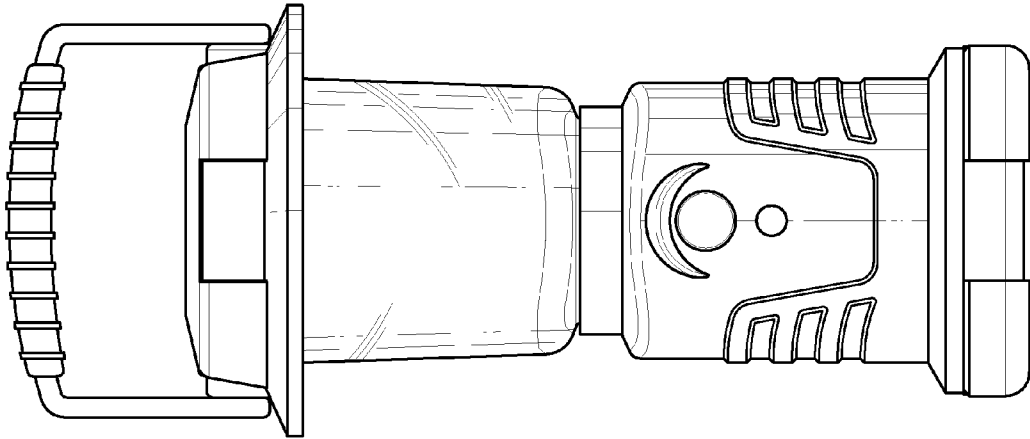


FIG. 4

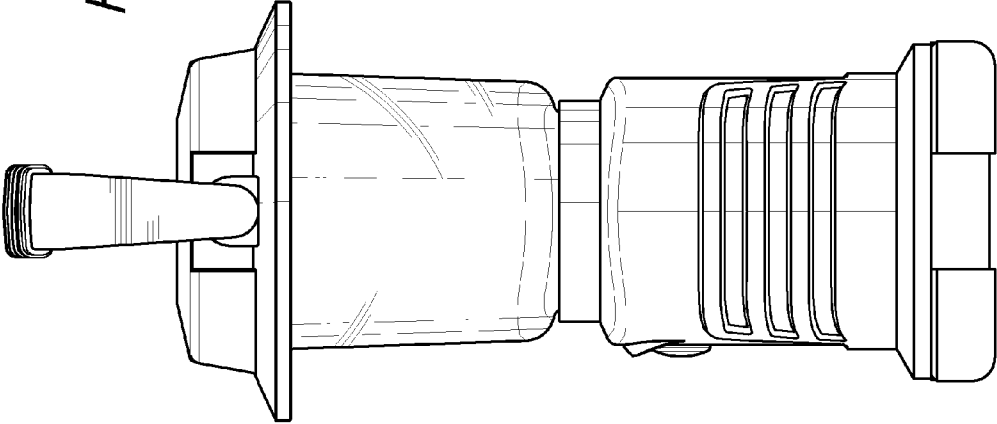
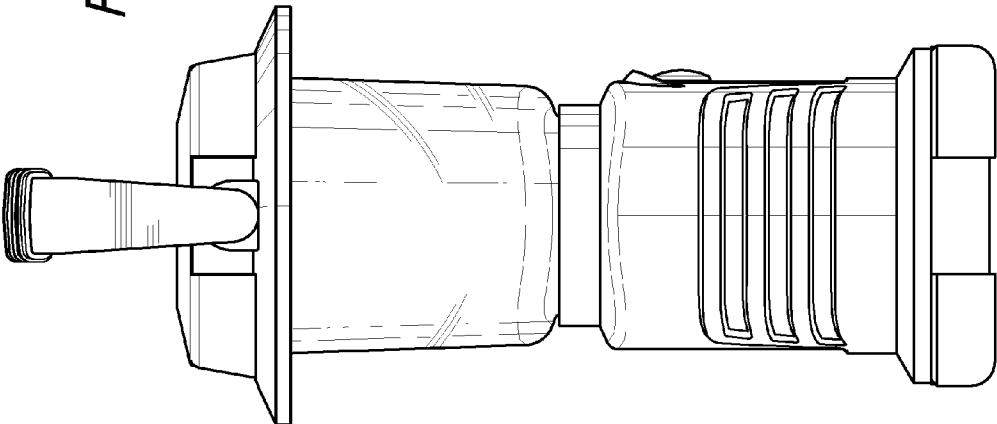


FIG. 3



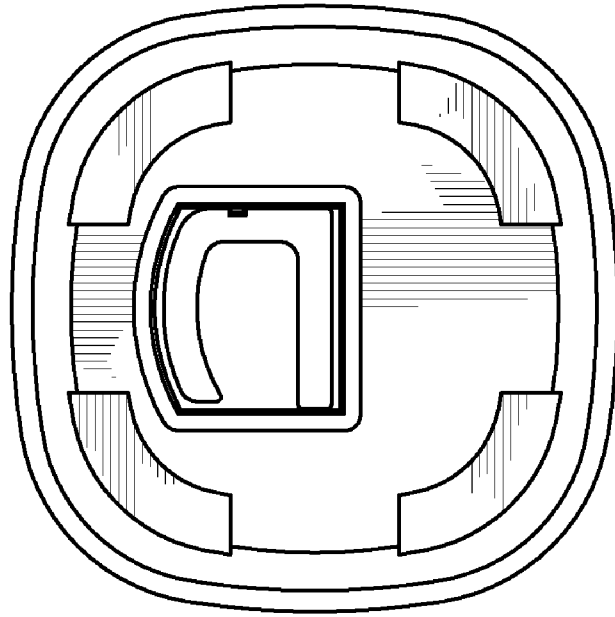


FIG. 6

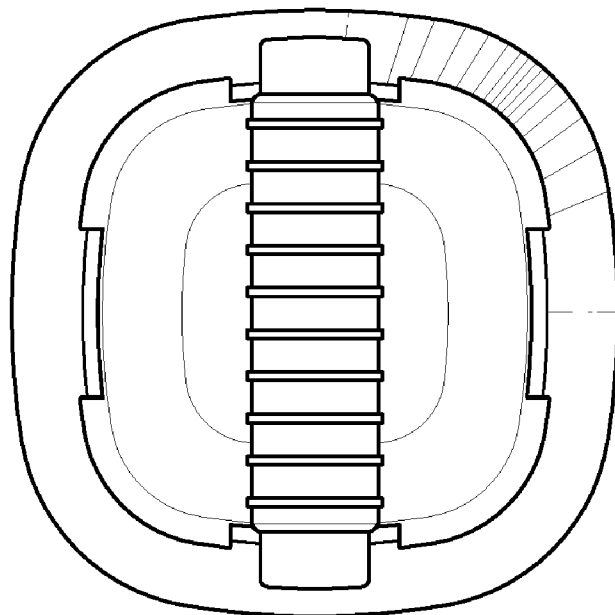


FIG. 5