



(86) Date de dépôt PCT/PCT Filing Date: 2013/09/26
 (87) Date publication PCT/PCT Publication Date: 2014/04/03
 (85) Entrée phase nationale/National Entry: 2015/03/17
 (86) N° demande PCT/PCT Application No.: CA 2013/000830
 (87) N° publication PCT/PCT Publication No.: 2014/047728
 (30) Priorités/Priorities: 2012/09/26 (US61/705,898);
 2012/10/15 (US61/713,795); 2012/11/15 (US61/726,971);
 2013/06/21 (US61/837,715)

(51) Cl.Int./Int.Cl. C22B 3/10 (2006.01),
 C01B 11/00 (2006.01), C01F 5/00 (2006.01),
 C01F 5/10 (2006.01), C01F 7/00 (2006.01),
 C01F 7/22 (2006.01), C22B 3/22 (2006.01),
 C22B 3/44 (2006.01), C22B 21/00 (2006.01),
 C22B 26/22 (2006.01)

(71) Demandeur/Applicant:
 ORBITE ALUMINAE INC., CA

(72) Inventeurs/Inventors:
 BOUDREAU, RICHARD, CA;
 PRIMEAU, DENIS, CA;
 LABRECQUE-GILBERT, MARIE-MAXIME, CA;
 DUMONT, HUBERT, CA

(74) Agent: BERESKIN & PARR LLP/S.E.N.C.R.L., S.R.L.

(54) Titre : PROCEDES POUR LA PREPARATION D'ALUMINE ET DE CHLORURE DE MAGNESIUM PAR LIXIVIATION
 PAR HCL DE DIVERS MATERIAUX
 (54) Title: PROCESSES FOR PREPARING ALUMINA AND MAGNESIUM CHLORIDE BY HCl LEACHING OF VARIOUS
 MATERIALS

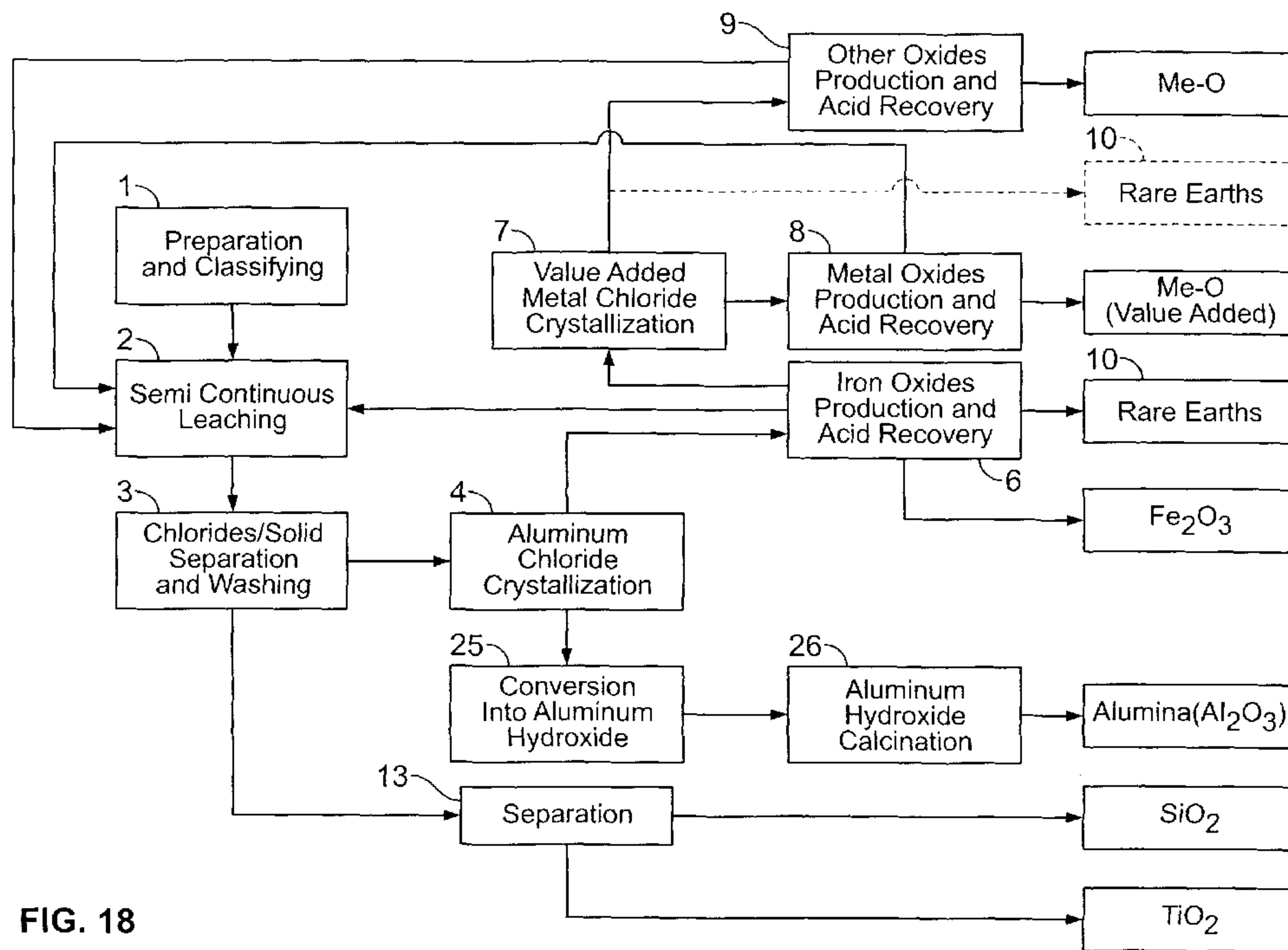


FIG. 18

(57) Abrégé/Abstract:

A process for preparing alumina, said process comprising leaching an aluminum-containing material with HCl so as to obtain a leachate comprising aluminum ions, magnesium ions and a solid, and separating said solid from said leachate; substantially selectively precipitating MgCl₂ from said leachate and removing said MgCl₂ from said leachate; reacting said leachate with HCl so as to obtain a liquid and a precipitate comprising said aluminum ions in the form of AlCl₃, and separating said precipitate from said liquid; heating said precipitate under conditions effective for converting AlCl₃ into Al₂O₃; and heating said MgCl₂ under conditions effective for converting it into MgO; and optionally recovering gaseous HCl so-produced from heating.

(12) INTERNATIONAL APPLICATION PUBLISHED UNDER THE PATENT COOPERATION TREATY (PCT)

(19) World Intellectual Property
Organization
International Bureau(43) International Publication Date
3 April 2014 (03.04.2014)(10) International Publication Number
WO 2014/047728 A1

(51) International Patent Classification:

C22B 3/10 (2006.01) C01F 7/22 (2006.01)
C01B 11/00 (2006.01) C22B 3/22 (2006.01)
C01F 5/00 (2006.01) C22B 3/44 (2006.01)
C01F 5/10 (2006.01) C22B 21/00 (2006.01)
C01F 7/00 (2006.01) C22B 26/22 (2006.01)

(21) International Application Number:

PCT/CA2013/000830

(22) International Filing Date:

26 September 2013 (26.09.2013)

(25) Filing Language:

English

(26) Publication Language:

English

(30) Priority Data:

61/705,898 26 September 2012 (26.09.2012) US
61/713,795 15 October 2012 (15.10.2012) US
61/726,971 15 November 2012 (15.11.2012) US
61/837,715 21 June 2013 (21.06.2013) US

(71) Applicant: **ORBITE ALUMINAE INC.** [CA/CA]; 6505 route Transcanadienne, Bureau 610, St-Laurent, Québec H4T 1S3 (CA).(72) Inventors: **BOUDREAULT, Richard**; 2723 Luce-Guilbeault, St-Laurent, Québec H4R 2T3 (CA). **PRIMEAU, Denis**; 2166 Place de l'Église, Ste-Julie, Québec J3E 2G5 (CA). **LABRECQUE-GILBERT, Marie-Maxime**; 4599 Beausnesne, Laval, Québec H7T 2T6 (CA). **DUMONT, Hubert**; 500 Cartier Ouest, Laval, Québec H7B 5B7 (CA).(74) Agent: **BERESKIN & PARR LLP/S.E.N.C.R.L., S.R.L.**;
40th Floor, 40 King Street West, Toronto, Ontario M5H 3Y2 (CA).

(81) Designated States (unless otherwise indicated, for every kind of national protection available): AE, AG, AL, AM, AO, AT, AU, AZ, BA, BB, BG, BH, BN, BR, BW, BY, BZ, CA, CH, CL, CN, CO, CR, CU, CZ, DE, DK, DM, DO, DZ, EC, EE, EG, ES, FI, GB, GD, GE, GH, GM, GT, HN, HR, HU, ID, IL, IN, IS, JP, KE, KG, KN, KP, KR, KZ, LA, LC, LK, LR, LS, LT, LU, LY, MA, MD, ME, MG, MK, MN, MW, MX, MY, MZ, NA, NG, NI, NO, NZ, OM, PA, PE, PG, PH, PL, PT, QA, RO, RS, RU, RW, SA, SC, SD, SE, SG, SK, SL, SM, ST, SV, SY, TH, TJ, TM, TN, TR, TT, TZ, UA, UG, US, UZ, VC, VN, ZA, ZM, ZW.

(84) Designated States (unless otherwise indicated, for every kind of regional protection available): ARIPO (BW, GH, GM, KE, LR, LS, MW, MZ, NA, RW, SD, SL, SZ, TZ, UG, ZM, ZW), Eurasian (AM, AZ, BY, KG, KZ, RU, TJ, TM), European (AL, AT, BE, BG, CH, CY, CZ, DE, DK, EE, ES, FI, FR, GB, GR, HR, HU, IE, IS, IT, LT, LU, LV, MC, MK, MT, NL, NO, PL, PT, RO, RS, SE, SI, SK, SM, TR), OAPI (BF, BJ, CF, CG, CI, CM, GA, GN, GQ, GW, KM, ML, MR, NE, SN, TD, TG).

Published:

— with international search report (Art. 21(3))

(54) Title: PROCESSES FOR PREPARING ALUMINA AND MAGNESIUM CHLORIDE BY HCl LEACHING OF VARIOUS MATERIALS

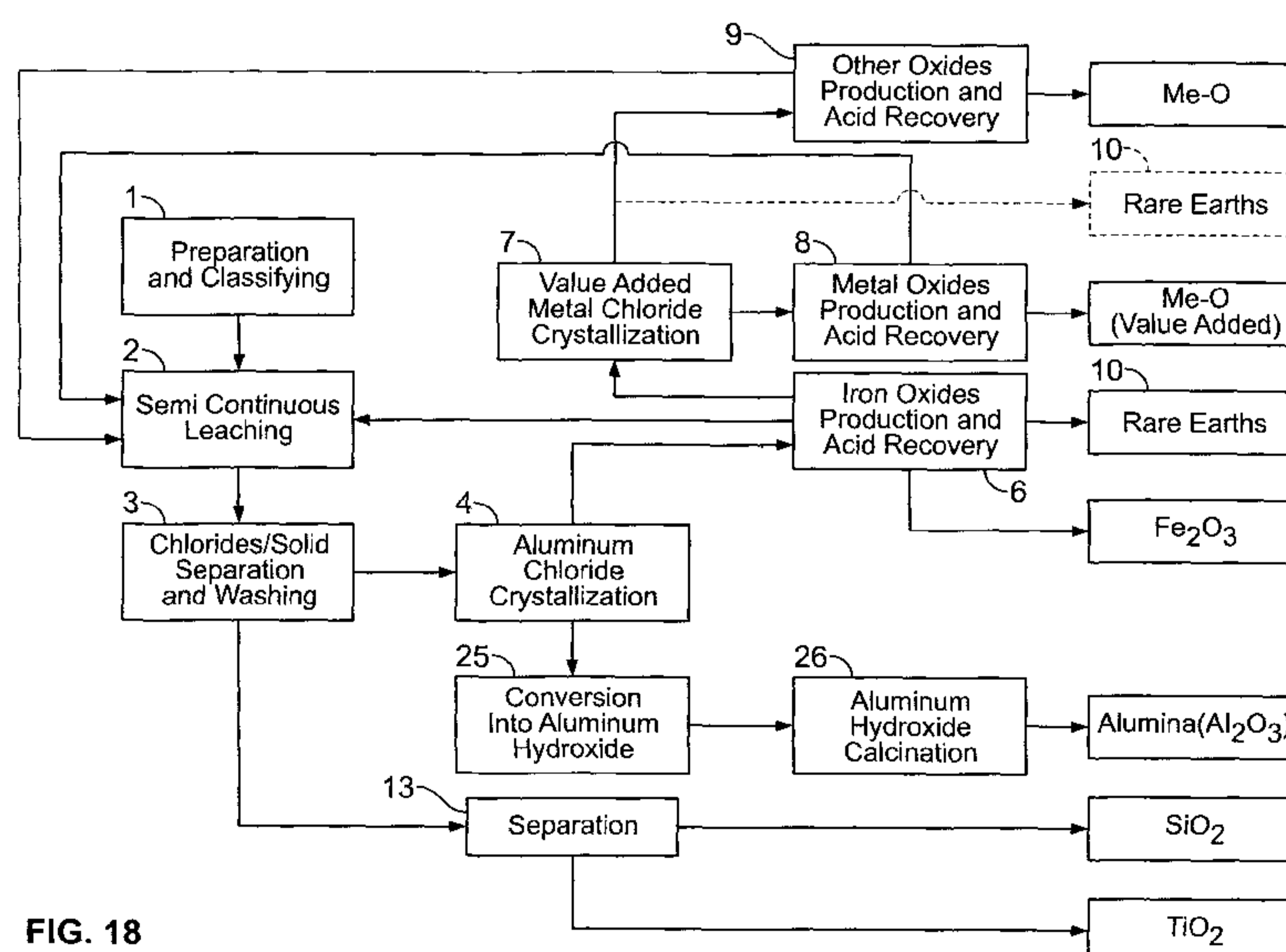


FIG. 18

(57) Abstract: A process for preparing alumina, said process comprising leaching an aluminum-containing material with HCl so as to obtain a leachate comprising aluminum ions, magnesium ions and a solid, and separating said solid from said leachate; substantially selectively precipitating MgCl₂ from said leachate and removing said MgCl₂ from said leachate; reacting said leachate with HCl so as to obtain a liquid and a precipitate comprising said aluminum ions in the form of AlCl₃, and separating said precipitate from said liquid; heating said precipitate under conditions effective for converting AlCl₃ into Al₂O₃; and heating said MgCl₂ under conditions effective for converting it into MgO; and optionally recovering gaseous HCl so-produced from heating.

WO 2014/047728 A1

PROCESSES FOR PREPARING ALUMINA AND MAGNESIUM CHLORIDE BY HCl LEACHING OF VARIOUS MATERIALS

CROSS-REFERENCE TO RELATED APPLICATIONS

[0001] The present application claims priority on US 61/705,898 filed on September 26, 2012, on US 61/713,795 filed on October 15, 2012; on US 61/726,971 filed on November 15, 2012; US 61/837,715 filed on June 21, 2013. These documents are hereby incorporated by reference in their entirety.

TECHNICAL FIELD

[0002] The present disclosure relates to improvements in the field of chemistry applied to the treatment of various ores. For example, it relates to processes for treating materials comprising at least one metal chosen from aluminum, iron, zinc, copper, gold, silver, molybdenum, cobalt, magnesium, lithium, manganese, nickel, palladium, platinum, thorium, phosphorus, uranium and titanium, and/or at least one rare earth element and/or at least one rare metal.

BACKGROUND OF THE DISCLOSURE

[0003] There have been several known processes for the production of alumina, titanium oxide, magnesium oxide, hematite, nickel, cobalt rare earth elements, rare metals etc. Many of them have the disadvantage of being inefficient to segregate and extract value added secondary products, thus leaving an important environmental impact.

SUMMARY OF THE DISCLOSURE

[0004] According to one aspect, there is provided a process for preparing alumina and optionally other products, the process comprising :

leaching an aluminum-containing material with HCl so as to obtain a leachate comprising aluminum ions and a solid, and separating the solid from the leachate;

reacting the leachate with HCl so as to obtain a liquid and a precipitate comprising the aluminum ions in the form of $AlCl_3$, and separating the precipitate from the liquid;

heating the precipitate under conditions effective for converting AlCl_3 into Al_2O_3 and recovering gaseous HCl so-produced; and

recycling the gaseous HCl so-produced by contacting it with water so as to obtain a composition having a concentration higher than HCl azeotrope concentration (20.2 weight %) and reacting the composition with a further quantity of aluminum-containing material so as to leaching it.

[0005] According to another aspect, there is provided a process for preparing alumina and optionally other products, the process comprising :

leaching an aluminum-containing material with HCl so as to obtain a leachate comprising aluminum ions and a solid, and separating the solid from the leachate;

reacting the leachate with HCl so as to obtain a liquid and a precipitate comprising the aluminum ions in the form of AlCl_3 , and separating the precipitate from the liquid; and

optionally reacting the precipitate with a base; and

heating the precipitate under conditions effective for converting it into Al_2O_3 .

[0006] According to another aspect, there is provided a process for preparing alumina and optionally other products, the process comprising :

leaching an aluminum-containing material with HCl so as to obtain a leachate comprising aluminum ions and a solid, and separating the solid from the leachate;

reacting the leachate with HCl so as to obtain a liquid and a precipitate comprising the aluminum ions in the form of AlCl_3 , and separating the precipitate from the liquid; and

optionally reacting the precipitate with a base; and

heating the precipitate under conditions effective for converting it into Al_2O_3 .

[0007] According to another aspect, there is provided a process for preparing alumina and optionally other products, the process comprising :

leaching an aluminum-containing material with HCl so as to obtain a leachate comprising aluminum ions and a solid, and separating the solid from the leachate;

reacting the leachate with HCl so as to obtain a liquid and a precipitate comprising the aluminum ions in the form of AlCl_3 , and separating the precipitate from the liquid;

heating the precipitate under conditions effective for converting AlCl_3 into Al_2O_3 and recovering gaseous HCl so-produced; and

recycling the gaseous HCl so-produced by contacting it with water so as to obtain a composition having a concentration of about 18 to about 45 weight % or about 25 to about 45 weight % and reacting the composition with a further quantity of aluminum-containing material so as to leaching it.

[0008] According to another aspect, there is provided a process for preparing alumina and optionally other products, the process comprising :

leaching an aluminum-containing material with HCl so as to obtain a leachate comprising aluminum ions and a solid, and separating the solid from the leachate;

reacting the leachate with HCl so as to obtain a liquid and a precipitate comprising the aluminum ions in the form of AlCl_3 , and separating the precipitate from the liquid;

heating the precipitate under conditions effective for converting AlCl_3 into Al_2O_3 and recovering gaseous HCl so-produced; and

recycling the gaseous HCl so-produced by contacting it with water so as to obtain a composition having a concentration of about 18 to about 45 weight % or about 25

to about 45 weight % and using the composition for leaching the aluminum-containing material.

[0009] According to another aspect, there is provided a process for preparing alumina and optionally other products, the process comprising :

leaching an aluminum-containing material with HCl so as to obtain a leachate comprising aluminum ions and a solid, and separating the solid from the leachate;

reacting the leachate with HCl so as to obtain a liquid and a precipitate comprising the aluminum ions in the form of AlCl_3 , and separating the precipitate from the liquid;

heating the precipitate under conditions effective for converting AlCl_3 into Al_2O_3 and recovering gaseous HCl so-produced; and

recycling the gaseous HCl so-produced by contacting it with the leachate so as to precipitate the aluminum ions in the form of $\text{AlCl}_3 \cdot 6\text{H}_2\text{O}$.

[0010] According to another aspect, there is provided a process for preparing alumina and optionally other products, the process comprising :

leaching an aluminum-containing material with HCl so as to obtain a leachate comprising aluminum ions and a solid, and separating the solid from the leachate;

reacting the leachate with HCl so as to obtain a liquid and a precipitate comprising the aluminum ions in the form of AlCl_3 , and separating the precipitate from the liquid; and

heating the precipitate under conditions effective for converting AlCl_3 into Al_2O_3 .

[0011] According to another aspect, there is provided a process for preparing alumina and optionally other products, the process comprising :

leaching an aluminum-containing material with HCl so as to obtain a leachate comprising aluminum ions and a solid, and separating the solid from the leachate;

reacting the leachate with HCl so as to obtain a liquid and a precipitate comprising the aluminum ions in the form of AlCl_3 , and separating the precipitate from the liquid; and

heating the precipitate under conditions effective for converting AlCl_3 into Al_2O_3 and optionally recovering gaseous HCl so-produced.

[0012] According to one aspect, there is provided a process for preparing aluminum and optionally other products, the process comprising :

leaching an aluminum-containing material with HCl so as to obtain a leachate comprising aluminum ions and a solid, and separating the solid from the leachate;

reacting the leachate with HCl so as to obtain a liquid and a precipitate comprising the aluminum ions in the form of AlCl_3 , and separating the precipitate from the liquid;

heating the precipitate under conditions effective for converting AlCl_3 into Al_2O_3 ; and

converting Al_2O_3 into aluminum.

[0013] According to another aspect, there is provided a process for preparing aluminum and optionally other products, the process comprising :

leaching an aluminum-containing material with HCl so as to obtain a leachate comprising aluminum ions and a solid, and separating the solid from the leachate;

reacting the leachate with HCl so as to obtain a liquid and a precipitate comprising the aluminum ions in the form of AlCl_3 , and separating the precipitate from the liquid;

heating the precipitate under conditions effective for converting AlCl_3 into Al_2O_3 and optionally recovering gaseous HCl so-produced; and

converting Al_2O_3 into aluminum.

[0014] According to another aspect, there is provided a process for preparing various products, the process comprising :

leaching a material comprising a first metal with HCl so as to obtain a leachate comprising ions of the first metal and a solid, and separating the solid from the leachate;

reacting the leachate with HCl so as to obtain a liquid and a precipitate comprising a chloride of the first metal, and separating the precipitate from the liquid; and

heating the precipitate under conditions effective for converting the chloride of the first metal into an oxide of the first metal.

[0015] According to another aspect, there is provided a process for treating serpentine, the process comprising :

leaching serpentine with HCl so as to obtain a leachate comprising magnesium ions and a solid, and separating the solid from the leachate;

reacting the leachate with HCl so as to obtain a liquid and a precipitate comprising MgCl_2 , and separating the precipitate from the liquid; and

heating the precipitate under conditions effective for converting MgCl_2 into MgO and optionally recovering gaseous HCl so-produced.

[0016] According to another aspect, there is provided a process for treating serpentine, the process comprising :

leaching serpentine with HCl so as to obtain a leachate comprising magnesium ions and a solid, and separating the solid from the leachate;

reacting the leachate with HCl so as to obtain a liquid and a precipitate comprising MgCl_2 , and separating the precipitate from the liquid; and

heating the precipitate under conditions effective for converting MgCl_2 into MgO.

[0017] According to another aspect, there is provided process for treating a magnesium-containing material, the process comprising :

leaching the magnesium-containing material with HCl so as to obtain a leachate comprising magnesium ions and a solid, and separating the solid from the leachate;

reacting the leachate with HCl so as to obtain a liquid and a precipitate comprising MgCl_2 , and separating the precipitate from the liquid; and

heating the precipitate under conditions effective for converting MgCl_2 into MgO and optionally recovering gaseous HCl so-produced.

[0018] According to another aspect, there is provided a process for treating a magnesium-containing material, the process comprising :

leaching the magnesium-containing material with HCl so as to obtain a leachate comprising magnesium ions and ions from at least one metal and a solid, and separating the solid from the leachate; and

precipitating the at least one metal by reacting the leachate with a precipitating agent so as to obtain a liquid comprising the magnesium ions and a precipitate comprising the precipitated at least one metal, and separating the precipitate from the liquid.

[0019] According to another aspect, there is provided a process for treating a material comprising magnesium and at least one other metal, the process comprising :

leaching the material with HCl so as to obtain a leachate comprising magnesium ions and ions from the at least one other metal and a solid, and separating the solid from the leachate; and

precipitating the at least one other metal by reacting the leachate with a precipitating agent so as to obtain a liquid comprising the magnesium ions and a precipitate comprising the precipitated at least one metal, and separating the precipitate from the liquid;

treating the liquid so as to cause precipitation of $Mg(OH)_2$; and

treating the precipitate so as to substantially selectively isolate the at least one metal therefrom.

[0020] According to another aspect, there is provided a process for preparing alumina, the process comprising :

leaching an aluminum-containing material with HCl so as to obtain a leachate comprising aluminum ions, magnesium ions and a solid, and separating the solid from the leachate;

substantially selectively precipitating $MgCl_2$ from the leachate and removing the $MgCl_2$ from the leachate;

reacting the leachate with HCl so as to obtain a liquid and a precipitate comprising the aluminum ions in the form of $AlCl_3$, and separating the precipitate from the liquid;

heating the precipitate under conditions effective for converting $AlCl_3$ into Al_2O_3 and optionally recovering gaseous HCl so-produced; and

heating the $MgCl_2$ under conditions effective for converting it into MgO and optionally recovering gaseous HCl so-produced.

[0021] According to another aspect, there is provided a process for preparing aluminum, the process comprising :

leaching an aluminum-containing material with HCl so as to obtain a leachate comprising aluminum ions, magnesium ions and a solid, and separating the solid from the leachate;

substantially selectively precipitating $MgCl_2$ from the leachate and removing the $MgCl_2$ from the leachate;

reacting the leachate with HCl so as to obtain a liquid and a precipitate comprising the aluminum ions in the form of $AlCl_3$, and separating the precipitate from the liquid;

heating the $MgCl_2$ under conditions effective for converting it into MgO and optionally recovering gaseous HCl so-produced;

heating the precipitate under conditions effective for converting $AlCl_3$ into Al_2O_3 and optionally recovering gaseous HCl so-produced; and

converting the Al_2O_3 into alumina.

[0022] According to another aspect, there is provided a process for preparing alumina, the process comprising :

leaching an aluminum-containing material with HCl so as to obtain a leachate comprising aluminum ions, magnesium ions and a solid, and separating the solid from the leachate;

substantially selectively precipitating $MgCl_2$ from the leachate and removing the $MgCl_2$ from the leachate;

reacting the leachate with HCl so as to obtain a liquid and a precipitate comprising the aluminum ions in the form of $AlCl_3$, and separating the precipitate from the liquid;

optionally treating the precipitate with a base;

heating the precipitate under conditions effective for converting the precipitate into Al_2O_3 and optionally recovering gaseous HCl so-produced; and

heating the MgCl_2 under conditions effective for converting it into MgO and optionally recovering gaseous HCl so-produced.

[0023] According to another aspect, there is provided a process for preparing aluminum, the process comprising :

leaching an aluminum-containing material with HCl so as to obtain a leachate comprising aluminum ions, magnesium ions and a solid, and separating the solid from the leachate;

substantially selectively precipitating MgCl_2 from the leachate and removing the MgCl_2 from the leachate;

reacting the leachate with HCl so as to obtain a liquid and a precipitate comprising the aluminum ions in the form of AlCl_3 , and separating the precipitate from the liquid;

optionally treating the precipitate with a base;

heating the MgCl_2 under conditions effective for converting it into MgO and optionally recovering gaseous HCl so-produced;

heating the precipitate under conditions effective for converting the precipitate into Al_2O_3 and optionally recovering gaseous HCl so-produced; and

converting the Al_2O_3 into alumina.

[0024] According to another aspect, there is provided a process for treating serpentine, the process comprising :

leaching serpentine with HCl so as to obtain a leachate comprising magnesium ions and a solid, and separating the solid from the leachate;

controlling the temperature of the leachate so as to substantially selectively precipitate the magnesium ions in the form of magnesium chloride, and removing the precipitate from the leachate, thereby obtaining a liquid; and

heating the $MgCl_2$ under conditions effective for converting $MgCl_2$ into MgO and optionally recovering gaseous HCl so-produced.

[0025] According to another aspect, there is provided a process for treating a magnesium-containing material, the process comprising :

leaching the magnesium-containing material with HCl so as to obtain a leachate comprising magnesium ions, and a solid, and separating the solid from the leachate;

controlling the temperature of the leachate so as to substantially selectively precipitate the magnesium ions in the form of magnesium chloride, and removing the precipitate from the leachate, thereby obtaining a liquid; and

heating the $MgCl_2$ under conditions effective for converting $MgCl_2$ into MgO and optionally recovering gaseous HCl so-produced.

[0026] According to another aspect, there is provided a process for preparing various products, the process comprising :

leaching a material comprising a first metal with HCl so as to obtain a leachate comprising ions of the first metal and a solid, and separating the solid from the leachate;

controlling the temperature of the leachate so as to precipitate the the first metal in the form of a chloride, and removing the precipitate from the leachate,

reacting the leachate with HCl so as to obtain a liquid and a precipitate comprising a chloride of the second metal, and separating the precipitate from the liquid;

optionally heating the chloride of the first metal under conditions effective for converting it into an oxide of the first metal, and optionally recovering the so-produced HCl; and

optionally heating the chloride of the second metal under conditions effective for converting it into an oxide of the second metal, and optionally recovering the so-produced HCl.

[0027] According to another aspect, there is provided a process for preparing various products, the process comprising :

leaching a material comprising a first metal with HCl so as to obtain a leachate comprising ions of the first metal and a solid, and separating the solid from the leachate;

controlling the temperature of the leachate so as to precipitate the the first metal in the form of a chloride, and removing the precipitate from the leachate;

controlling the temperature of the leachate so as to precipitate the the second metal in the form of a chloride, and removing the precipitate from the leachate;

optionally heating the chloride of the first metal under conditions effective for converting it into an oxide of the first metal, and optionally recovering the so-produced HCl; and

optionally heating the chloride of the second metal under conditions effective for converting it into an oxide of the second metal, and optionally recovering the so-produced HCl.

[0028] According to another aspect, there is provided a process for preparing various products, the process comprising :

leaching a material comprising a first metal with HCl so as to obtain a leachate comprising ions of the first metal and a solid, and separating the solid from the leachate;

reacting the leachate with HCl so as to obtain a precipitate comprising the first metal in the form of a chloride, and removing the precipitate from the leachate;

reacting the leachate with HCl so as to obtain a precipitate comprising a second metal in the form of a chloride, and removing the precipitate from the leachate;

optionally heating the chloride of the first metal under conditions effective for converting it into an oxide of the first metal, and optionally recovering the so-produced HCl; and

optionally heating the chloride of the second metal under conditions effective for converting it into an oxide of the second metal, and optionally recovering the so-produced HCl.

[0029] According to another aspect, there is provided a process for preparing various products, the process comprising :

leaching a material comprising a first metal with HCl so as to obtain a leachate comprising ions of the first metal and a solid, and separating the solid from the leachate;

controlling the concentration of HCl in the leachate and/or the temperature of the leachate so as to precipitate the first metal in the form of a chloride, and removing the precipitate from the leachate;

controlling the concentration of HCl in the leachate and/or the temperature of the leachate so as to precipitate a second metal in the form of a chloride, and removing the precipitate from the leachate;

optionally heating the chloride of the first metal under conditions effective for converting it into an oxide of the first metal, and optionally recovering the so-produced HCl; and

optionally heating the chloride of the second metal under conditions effective for converting it into an oxide of the second metal, and optionally recovering the so-produced HCl.

[0030] According to another aspect, there is provided a process for preparing various products, the process comprising :

leaching a material comprising a first metal with HCl so as to obtain a leachate comprising ions of the first metal and a solid, and separating the solid from the leachate;

controlling the concentration of HCl in the leachate and/or the temperature of the leachate so as to precipitate the first metal in the form of a chloride, and removing the precipitate from the leachate;

reacting the leachate with HCl so as to obtain a precipitate comprising a second metal in the form of a chloride, and removing the precipitate from the leachate,

optionally heating the chloride of the first metal under conditions effective for converting it into an oxide of the first metal, and optionally recovering the so-produced HCl; and

optionally heating the chloride of the second metal under conditions effective for converting it into an oxide of the second metal, and optionally recovering the so-produced HCl.

[0031] According to another aspect, there is provided a process for preparing various products, the process comprising :

leaching a material comprising a first metal with HCl so as to obtain a leachate comprising ions of the first metal and a solid, and separating the solid from the leachate;

reacting the leachate with HCl so as to obtain a precipitate comprising the first metal in the form of a chloride, and removing the precipitate from the leachate;

controlling the concentration of HCl in the leachate and/or the temperature of the leachate so as to precipitate a second metal in the form of a chloride, and removing the precipitate from the leachate;

optionally heating the chloride of the first metal under conditions effective for converting it into an oxide of the first metal, and optionally recovering the so-produced HCl; and

optionally heating the chloride of the second metal under conditions effective for converting it into an oxide of the second metal, and optionally recovering the so-produced HCl.

[0032] According to another aspect, there is provided a process for preparing various products, the process comprising :

leaching a material comprising magnesium and iron with HCl so as to obtain a leachate comprising magnesium ions and iron ions and a solid, and separating the solid from the leachate;

reacting the leachate with HCl so as to obtain a precipitate comprising magnesium chloride, and removing the precipitate from the leachate so as to obtain a liquid comprising iron chloride;

treating the liquid under conditions effective for converting the iron chloride into iron oxide and optionally recovering HCl; and

optionally heating the magnesium chloride under conditions effective for converting it into magnesium oxide, and optionally recovering the so-produced HCl.

[0033] According to another aspect, there is provided a process for preparing various products, the process comprising :

leaching a material comprising magnesium and iron with HCl so as to obtain a leachate comprising magnesium ions and iron ions and a solid, and separating the solid from the leachate;

controlling the concentration of HCl in the leachate and/or the temperature of the leachate so as to precipitate magnesium chloride, and removing the precipitate from the leachate, thereby obtaining a liquid;

treating the liquid under conditions effective for converting the iron chloride into iron oxide and optionally recovering HCl; and

optionally heating the magnesium chloride under conditions effective for converting it into magnesium oxide, and optionally recovering HCl.

[0034] According to another aspect, there is provided a process for preparing various products, the process comprising :

leaching a material comprising magnesium, aluminum and iron with HCl so as to obtain a leachate comprising magnesium ions, aluminum ions and iron ions and a solid, and separating the solid from the leachate;

controlling the concentration of HCl in the leachate and/or the temperature of the leachate so as to precipitate magnesium chloride, and removing the precipitate from the leachate,

reacting the leachate with HCl so as to obtain a precipitate comprising aluminum chloride, and removing the precipitate from the leachate so as to obtain a liquid comprising iron chloride;

optionally treating the liquid under conditions effective for converting the iron chloride into iron oxide and optionally recovering HCl;

optionally heating the precipitate under conditions effective for converting aluminum chloride into alumina and optionally recovering gaseous HCl so-produced; and

optionally heating the magnesium chloride under conditions effective for converting it into magnesium oxide, and optionally recovering HCl.

[0035] According to another aspect, there is provided a process for preparing various products, the process comprising :

leaching a material comprising magnesium, aluminum and iron with HCl so as to obtain a leachate comprising magnesium ions, aluminum ions and iron ions and a solid, and separating the solid from the leachate;

reacting the leachate with HCl so as to obtain a precipitate comprising aluminum chloride, and removing the precipitate from the leachate;

controlling the concentration of HCl in the leachate and/or the temperature of the leachate so as to precipitate magnesium chloride, and removing the precipitate from the leachate so as to obtain a liquid comprising iron chloride

optionally treating the liquid under conditions effective for converting the iron chloride into iron oxide and optionally recovering HCl;

optionally heating the precipitate under conditions effective for converting aluminum chloride into alumina and optionally recovering gaseous HCl so-produced; and

optionally heating the magnesium chloride under conditions effective for converting it into magnesium oxide, and optionally recovering HCl.

BRIEF DESCRIPTION OF DRAWINGS

[0036] In the following drawings, which represent by way of example only, various embodiments of the disclosure :

[0037] Fig. 1 shows a bloc diagram of an example of process for preparing alumina and various other products according to the present disclosure;

[0038] Fig. 2 is an extraction curve for Al and Fe in which the extraction percentage is expressed as a function of a leaching time in a process according to an example of the present application;

[0039] Fig. 3 shows a bloc diagram of another example of process for preparing alumina and various other products according to the present disclosure;

[0040] Fig. 4 is a schematic representation of an example of a process for purifying/concentrating HCl according to the present disclosure;

[0041] Fig. 5 is a schematic representation of an example of a process for purifying/concentrating HCl according to the present disclosure;

[0042] Fig. 6 shows another bloc diagram of an example of process for preparing alumina and various other products according to the present disclosure;

[0043] Fig. 7 shows another bloc diagram of an example of process for preparing alumina and various other products according to the present disclosure;

[0044] Fig. 8 shows another bloc diagram of an example of process for preparing various products

[0045] Fig. 9 shows another bloc diagram of an example of process according to the present disclosure;

[0046] Figs. 10A and 10B show further bloc diagrams of examples of processes according to the present disclosure;

[0047] Figs. 11A and 11B show a further bloc diagrams of examples of processes according to the present disclosure; Figs. 12A and 12B show further bloc diagrams of examples of processes according to the present disclosure;

[0048] Fig. 13 shows another bloc diagram of an example of process for preparing alumina and various other products according to the present disclosure;

[0049] Fig. 14 shows another bloc diagram of an example of process for preparing alumina and various other products according to the present disclosure;

[0050] Fig. 15 shows solubilisation curves of various metal chlorides as a function of HCl concentration;

[0051] Fig. 16 shows solubilisation curves of $MgCl_2$ at various temperatures;

[0052] Fig. 17 shows solubilisation curves of various metal chlorides as a function of HCl concentration; and

[0053] Fig. 18 shows a bloc diagram of an example of process for preparing alumina and various other products according to the present disclosure.

DETAILED DESCRIPTION OF VARIOUS EMBODIMENTS

[0054] The following non-limiting examples further illustrate the technology described in the present disclosure.

[0055] The aluminum-containing material can be for example chosen from aluminum-containing ores (such as aluminosilicate minerals, clays, argillite, nepheline, mudstone, beryl, cryolite, garnet, spinel, bauxite, carbonatite, kyanite, kaolin, serpentine or mixtures thereof can be used). The aluminum-containing material can also be a recycled industrial aluminum-containing material such as slag, red mud or fly ashes.

[0056] The expression "red mud" as used herein refers, for example, to an industrial waste product generated during the production of alumina. For example, such a waste product can comprise silica, aluminum, iron, calcium, and optionally titanium. It can also comprise an array of minor constituents such as Na, K, Cr, V, Ni, Ba, Cu, Mn, Pb, and/or Zn etc. For example, red mud can comprises about 15 to about 80 % by weight of Fe_2O_3 , about 1 to about 35 % by weight Al_2O_3 , about 1 to about 65 % by weight of SiO_2 , about 1 to about 20 % by weight of Na_2O , about 1 to about 20 % by weight of CaO , and from 0 to about 35 % by weight of TiO_2 . According to another example, red mud can comprise about 30 to about 65 % by weight of Fe_2O_3 , about 10 to about 20 % by weight Al_2O_3 , about 3 to about 50 % by weight of SiO_2 , about 2 to about 10 % by weight of Na_2O , about 2 to about 8 % by weight of CaO , and from 0 to about 25 % by weight of TiO_2 .

[0057] The expression “fly ashes” as used herein refers, for example, to an industrial waste product generated in combustion. For example, such a waste product can contain various elements such as silica, oxygen, aluminum, iron, calcium. For example, fly ashes can comprise silicon dioxide (SiO_2) and aluminium oxide (Al_2O_3). For example, fly ashes can further comprises calcium oxide (CaO) and/or iron oxide (Fe_2O_3). For example fly ashes can comprise fine particles that rise with flue gases. For example, fly ashes can be produced during combustion of coal. For example, fly ashes can also comprise at least one element chosen from arsenic, beryllium, boron, cadmium, chromium, chromium VI, cobalt, lead, manganese, mercury, molybdenum, selenium, strontium, thallium, and/or vanadium. For example, fly ashes can also comprise rare earth elements and rare metals. For example, fly ashes can be considered as an aluminum-containing material.

[0058] The expression “slag” as used herein refers, for example, to an industrial waste product comprising aluminum oxide and optionally other oxides such as oxides of calcium, magnesium, iron, and/or silicon.

[0059] The expression “rare earth element” (also described as “REE”) as used herein refers, for example, to a rare element chosen from scandium, yttrium, lanthanum, cerium, praseodymium, neodymium, promethium, samarium, europium, gadolinium, terbium, dysprosium, holmium, erbium, thulium, ytterbium, and lutetium. The expression “rare metals” as used herein refers, for example, to rare metals chosen from indium, zirconium, lithium, and gallium. These rare earth elements and rare metals can be in various form such as the elemental form (or metallic form), under the form of chlorides, oxides, hydroxides etc. The expression “rare earths” as used in the present disclosure as a synonym of “rare earth elements and rare metals” that is described above.

[0060] The expression “at least one iron chloride” as used herein refers to FeCl_2 , FeCl_3 or a mixture thereof.

[0061] The term “hematite” as used herein refers, for example, to a compound comprising $\alpha\text{-Fe}_2\text{O}_3$, $\gamma\text{-Fe}_2\text{O}_3$, $\beta\text{-FeO.OH}$ or mixtures thereof.

[0062] The term “serpentine” as used herein refers, for example, to an ore that comprises Mg and optionally iron. For example, the ore can also comprise nickel, aluminum and/or cobalt. For example, the serpentine can be chosen from antigorite, chrysotile and lizardite.

[0063] The expression “iron ions” as used herein refers, for example to ions comprising to at least one type of iron ion chosen from all possible forms of Fe ions. For example, the at least one type of iron ion can be Fe^{2+} , Fe^{3+} , or a mixture thereof.

[0064] The expression “aluminum ions” as used herein refers, for example to ions comprising to at least one type of aluminum ion chosen from all possible forms of Al ions. For example, the at least one type of aluminum ion can be Al^{3+} .

[0065] The expression “at least one aluminum ion”, as used herein refers, for example, to at least one type of aluminum ion chosen from all possible forms of Al ions. For example, the at least one aluminum ion can be Al^{3+} .

[0066] The expression “at least one iron ion”, as used herein refers, for example, to at least one type of iron ion chosen from all possible forms of Fe ions. For example, the at least one iron ion can be Fe^{2+} , Fe^{3+} , or a mixture thereof.

[0067] The expression “at least one precipitated iron ion”, as used herein refers, for example, to at least one type of iron ion chosen from all possible forms of Fe ions that was precipitated in a solid form. For example, the at least one iron ion present in such a precipitate can be Fe^{2+} , Fe^{3+} , or a mixture thereof.

[0068] Terms of degree such as “about” and “approximately” as used herein mean a reasonable amount of deviation of the modified term such that the end result is not significantly changed. These terms of degree should be construed as including a deviation of at least $\pm 5\%$ or at least $\pm 10\%$ of the modified term if this deviation would not negate the meaning of the word it modifies.

[0069] The expression “substantially selectively isolate” as used herein when referring to isolating a compound refers, for example, to isolating such a compound together with less than 30, 25, 20, 15, 10, 5, 3, 2 or 1 % of impurities. Such impurities can be other compounds such as other metals.

[0070] The expressions “substantially selectively precipitating”, “substantially selectively precipitate” and their equivalents as used herein when referring to precipitating a compound refers, for example, to precipitating such a compound together with less than 30, 25, 20, 15, 10, 5, 3, 2 or 1 % of impurities. Such impurities can be other compounds such as other metals.

[0071] For example, the material can be leached with HCl having a concentration of about 10 to about 50 weight %, about 15 to about 45 weight %, of about 18 to about 45 weight % of about 18 to about 32 weight %, of about 20 to about 45 weight %, of about 25 to about 45 weight %, of about 26 to about 42 weight %, of about 28 to about 40 weight %, of about 30 to about 38 weight %, or between 25 and 36 weight %. For example, HCl at about 18 wt % or about 32 wt % can be used.

[0072] Leaching can also be carried out by adding dry highly concentrated acid (for example, 85 %, 90 % or 95 %) in gas phase into the aqueous solution. Alternatively, leaching can also be carried out by using a weak acid solution (for example < 3 wt %).

[0073] For example, leaching can be carried out by using HCl having a concentration of about 18 to about 32 wt % in a first reactor and then, by using HCl having concentration of about 90 to about 95 %, or about 95 to about 100 % (gaseous) in a second reactor.

[0074] For example, leaching can be carried out by using HCl having a concentration of about 18 to about 32 wt % in a first reactor then, by using HCl having concentration of about 90 to about 95 % (gaseous) in a second reactor; and by using HCl having concentration of about 90 to about 95 % (gaseous) in a third reactor.

[0075] For example, leaching can be carried out under an inert gas atmosphere (for example argon or nitrogen).

[0076] For example, leaching can be carried out under an atmosphere of NH₃.

[0077] For example, the material can be leached at a temperature of about 125 to about 225 °C, about 150 to about 200 °C, about 160 to about 190 °C, about 185 to about 190 °C, about 160 to about 180 °C, about 160 to about 175 °C, or about 165 to about 170 °C.

[0078] For example, the material can be leached at a pressure of about 4 to about 10 barg, about 4 to about 8 barg, or about 5 to about 6 barg.

[0079] For example a first leaching can be carried out at atmospheric pressure and then, at least one further leaching (for example 1, 2 or 3 subsequent leaching steps) can be carried out under pressure.

[0080] For example, leaching can be a continuous leaching or semi-continuous.

[0081] For example, the material can be an aluminum-containing material.

- [0082] For example, the material can be an iron-containing material.
- [0083] For example, the material can be a zinc-containing material.
- [0084] For example, the material can be a copper-containing material.
- [0085] For example, the material can be a gold-containing material.
- [0086] For example, the material can be a silver-containing material.
- [0087] For example, the material can be a molybdenum-containing material.
- [0088] For example, the material can be a cobalt-containing material.
- [0089] For example, the material can be a magnesium-containing material.
- [0090] For example, the material can be a lithium-containing material.
- [0091] For example, the material can be a manganese-containing material.
- [0092] For example, the material can be a nickel-containing material.
- [0093] For example, the material can be a palladium-containing material.
- [0094] For example, the material can be a platinum-containing material.
- [0095] For example, the material can be a magnesium-containing material.
- [0096] For example, the material can be a lithium-containing material.
- [0097] For example, the material can be a thorium-containing material.
- [0098] For example, the material can be a phosphorus-containing material.
- [0099] For example, the material can be a uranium-containing material.
- [00100] For example, the material can be a titanium-containing material.
- [00101] For example, the material can be a rare earth elements-containing material.
- [00102] For example, the material can be a rare metal-containing material.
- [00103] The processes of the present disclosure can be effective for treating various materials. The at least one material can be an aluminum-containing material, The aluminum-containing material can be an aluminum-containing ore. For example, clays, argillite, mudstone, beryl, cryolite, garnet, spinel, bauxite, serpentine or mixtures thereof can be used as starting material. The aluminum-containing material can also be a recycled

industrial aluminum-containing material such as slag. The aluminum-containing material can also be red mud.

[00104] The at least one material can be a nickel-containing material. The nickel-containing material can be a nickel-containing ore.

[00105] The at least one material can be a zinc-containing material. The zinc-containing material can be a zinc-containing ore.

[00106] The at least one material can be a copper-containing material. The copper-containing material can be a copper-containing ore.

[00107] The at least one material can be a titanium-containing material. The titanium-containing material can be a titanium-containing ore.

[00108] The at least one material can be a magnesium-containing material. The magnesium-containing material can be a magnesium-containing ore.

[00109] The processes of the present disclosure can be effective for treating various nickel-containing ores. For example, niccolite, kamacite, taenite, limonite, garnierite, laterite, pentlandite, serpentine, or mixtures thereof can be used.

[00110] The processes of the present disclosure can be effective for treating various zinc-containing ores. For example, smithsonite, warikahnite, sphalerite, serpentine or mixtures thereof can be used.

[00111] The processes of the present disclosure can be effective for treating various copper-containing ores. For example, copper-containing oxide ores, can be used. For example, chalcopyrite, chalcocite, covellite, bornite, tetrahedrite, malachite, azurite, cuprite, chrysocolla, or mixtures thereof can also be used.

[00112] The processes of the present disclosure can be effective for treating various titanium-containing ores. For example, ecandrewsite, geikielite, pyrophanite, ilmenite, or mixtures thereof can be used.

[00113] The processes of the present disclosure can be effective for treating various magnesium-containing ores. For example, the magnesium-containing ore can be chosen from serpentine, asbestos, antigorite, chrysotile, lizardite, brucite, magnesite, dolomite, kieserite, bischofite, langbeinite, epsomite, kainite, carnallite, astrakanite, laterite, geikielite and polyhalite.

[00114] For example, in the processes, the leachate can be treated with HCl that is in gaseous form.

[00115] For example, the processes can comprise reacting the leachate with gaseous HCl so as to obtain the liquid and the precipitate comprising the first metal under the form of a chloride.

[00116] For example, the processes can comprise reacting the leachate with dry gaseous HCl so as to obtain the liquid and the precipitate comprising the first metal under the form of a chloride.

[00117] For example, precipitating AlCl_3 can comprise crystallizing $\text{AlCl}_3 \cdot 6\text{H}_2\text{O}$.

[00118] For example, the processes can comprise reacting the leachate with acid of at least 30% wt. that was recovered, regenerated and/or purified as indicated in the present disclosure so as to obtain the liquid and the precipitate comprising the aluminum ions in the form of $\text{AlCl}_3 \cdot 6\text{H}_2\text{O}$.

[00119] For example, the processes can further comprise recycling the gaseous HCl so-produced by contacting it with water so as to obtain a composition having a concentration of about 18 to about 45 weight % or 25 to about 45 weight %.

[00120] For example, the processes can further comprise recycling the gaseous HCl so-produced by contacting it with water so as to obtain a composition having a concentration of about 18 to about 45 weight % or about 25 to about 45 weight % and using the composition for leaching the material.

[00121] For example, the liquid can comprise iron chloride. Iron chloride can comprise at least one of FeCl_2 , FeCl_3 , and a mixture thereof.

[00122] For example, the liquid can have an iron chloride concentration of at least 30% by weight; and can then be hydrolyzed at a temperature of about 155 to about 350 °C.

[00123] For example, the liquid can be concentrated to a concentrated liquid having an iron chloride concentration of at least 30% by weight; and then the iron chloride can be hydrolyzed at a temperature of about 155 to about 350 °C while maintaining a ferric chloride concentration at a level of at least 65% by weight, to generate a composition comprising a liquid and precipitated hematite, and recovering the hematite.

[00124] For example, non-hydrolysable elements with hematite can be concentrated back to a concentration of about 0.125 to about 52 % wt. in circulation loop in view of selective extraction.

[00125] For example, the liquid can be concentrated to a concentrated liquid having a concentration of the at least one iron chloride of at least 30% by weight; and then hydrolyzed at a temperature of about 155 to about 350 °C.

[00126] For example, the liquid can be concentrated to a concentrated liquid having a concentration of the at least one iron chloride of at least 30% by weight; and then the at least one iron chloride is hydrolyzed at a temperature of about 155 to about 350 °C while maintaining a ferric chloride concentration at a level of at least 65% by weight, to generate a composition comprising a liquid and precipitated hematite, and recovering the hematite.

[00127] For example, the liquid can be concentrated to a concentrated liquid having a concentration of the at least one iron chloride of at least 30% by weight; and then the at least one iron chloride is hydrolyzed at a temperature of about 155 to about 350 °C while maintaining a ferric chloride concentration at a level of at least 65% by weight, to generate a composition comprising a liquid and precipitated hematite; recovering the hematite; and recovering rare earth elements and/or rare metals from the liquid.

[00128] For example, the at least one iron chloride can be hydrolyzed at a temperature of about, 150 to about 175, 160 to about 175, 155 to about 170, 160 to about 170 or 165 to about 170 °C.

[00129] For example, the liquid can be concentrated to a concentrated liquid having an iron chloride concentration of at least 30% by weight; and then the iron chloride can be hydrolyzed at a temperature of about 155 to about 350 °C while maintaining a ferric chloride concentration at a level of at least 65% by weight, to generate a composition comprising a liquid and precipitated hematite; recovering the hematite; and recovering rare earth elements and/or rare metals from the liquid.

[00130] For example, the processes can further comprise, after recovery of the rare earth elements and/or rare metals, reacting the liquid with HCl so as to cause precipitation of $MgCl_2$, and recovering same.

[00131] For example, the processes can further comprise calcining $MgCl_2$ into MgO .

[00132] For example, the processes can further comprises, after recovery of the rare earth elements and/or rare metals, reacting the liquid with HCl, and substantially selectively precipitating Na_2SO_4 . For example, Na_2SO_4 can be precipitated by reacting the liquid with H_2SO_4 .

[00133] For example, the processes can further comprises, after recovery of the rare earth elements and/or rare metals, reacting the liquid with HCl, and substantially selectively precipitating K_2SO_4 . For example, K_2SO_4 can be precipitated by adding H_2SO_4 .

[00134] For example, the liquid can be concentrated to a concentrated liquid having an iron chloride concentration of at least 30% by weight; and then the iron chloride can be hydrolyzed at a temperature of about 155 to about 350 °C while maintaining a ferric chloride concentration at a level of at least 65% by weight, to generate a composition comprising a liquid and precipitated hematite; recovering the hematite; and reacting the liquid with HCl. For example, such processes can further comprises reacting the liquid with H_2SO_4 so as to substantially selectively precipitate Na_2SO_4 . The processes can also comprise further reacting the liquid with H_2SO_4 so as to substantially selectively precipitating K_2SO_4 .

[00135] For example, the processes can comprise reacting dry individual salts (for example Na or K salts) obtained during the processes with H_2SO_4 and recovering HCl while producing marketable K_2SO_4 and Na_2SO_4 and recovering hydrochloric acid of about 15 to about 90 % wt.

[00136] For example, sodium chloride produced in the processes can undergo a chemical reaction with sulfuric acid so as to obtain sodium sulfate and regenerate hydrochloric acid. Potassium chloride can undergo a chemical reaction with sulfuric acid so as to obtain potassium sulfate and regenerate hydrochloric acid. Sodium and potassium chloride brine solution can alternatively be the feed material to adapted small chlor-alkali electrolysis cells. In this latter case, common bases (NaOH and KOH) and bleach (NaOCl and KOCl) are produced.

[00137] For example, the processes can further comprise, after recovery of the rare earth elements and/or rare metals, recovering NaCl from the liquid, reacting the NaCl with H_2SO_4 , and substantially selectively precipitating Na_2SO_4 .

[00138] For example, the processes can further comprise, downstream of recovery of the rare earth elements and/or rare metals, recovering KCl from the liquid, reacting the KCl with H_2SO_4 , and substantially selectively precipitating K_2SO_4 .

[00139] For example, the processes can further comprise, downstream of recovery of the rare earth elements and/or rare metals, recovering NaCl from the liquid, carrying out an electrolysis to generate NaOH and NaOCl.

[00140] For example, the processes can further comprise, downstream of recovery of the rare earth elements and/or rare metals, recovering KCl from the liquid, reacting the KCl, carrying out an electrolysis to generate KOH and KOCl.

[00141] For example, the liquid can be concentrated to a concentrated liquid having a concentration of the at least one iron chloride of at least 30% by weight; and then the at least one iron chloride is hydrolyzed at a temperature of about 155 to about 350 °C while maintaining a ferric chloride concentration at a level of at least 65% by weight, to generate a composition comprising a liquid and precipitated hematite; recovering the hematite; and extracting NaCl and/or KCl from the liquid.

[00142] For example, the processes can further comprise reacting the NaCl with H_2SO_4 so as to substantially selectively precipitate Na_2SO_4 .

[00143] For example, the processes can further comprise reacting the KCl with H_2SO_4 so as to substantially selectively precipitate K_2SO_4 .

[00144] For example, the processes can further comprise carrying out an electrolysis of the NaCl to generate NaOH and NaOCl.

[00145] For example, the processes can further comprise carrying out an electrolysis of the KCl to generate KOH and KOCl.

[00146] For example, the processes can comprise separating the solid from the leachate and washing the solid so as to obtain silica having a purity of at least 95 %, at least 96%, at least 97%, at least 98%, at least 99%, at least 99.5 % or at least 99.9%.

[00147] For example, the processes can comprise reacting the leachate with gaseous HCl so as to obtain the liquid and the precipitate comprising the aluminum ions in the form of $\text{AlCl}_3 \cdot 6\text{H}_2\text{O}$.

[00148] For example, the processes can comprise reacting the leachate with dry gaseous HCl so as to obtain the liquid and the precipitate comprising the aluminum ions in the form of $\text{AlCl}_3 \cdot 6\text{H}_2\text{O}$.

[00149] For example, the processes can comprise reacting the leachate with acid of at least 30% wt. that was recovered, regenerated and/or purified as indicated in the present disclosure so as to obtain the liquid and the precipitate comprising the aluminum ions in the form of $\text{AlCl}_3 \cdot 6\text{H}_2\text{O}$.

[00150] For example, the processes can comprise reacting the leachate with gaseous HCl so as to obtain the liquid and the precipitate comprising the aluminum ions, the precipitate being formed by crystallization of $\text{AlCl}_3 \cdot 6\text{H}_2\text{O}$.

[00151] For example, the processes can comprise reacting the leachate with dry gaseous HCl so as to obtain the liquid and the precipitate comprising the aluminum ions, the precipitate being formed by crystallization of $\text{AlCl}_3 \cdot 6\text{H}_2\text{O}$.

[00152] For example, aluminum ions can be precipitated under the form of AlCl_3 (for example $\text{AlCl}_3 \cdot 6\text{H}_2\text{O}$) in a crystallizer, for example, by adding HCl having a concentration of about 26 to about 32 wt %.

[00153] For example, the gaseous HCl can have a HCl concentration of at least 85 % wt. or at least 90 % wt.

[00154] For example, the gaseous HCl can have a HCl concentration of about 90 % wt., about 90 % to about 95 % wt., or about 90 % to about 99 % wt..

[00155] For example, during the crystallization of $\text{AlCl}_3 \cdot 6\text{H}_2\text{O}$, the liquid can be maintained at a concentration of HCl of about 25 to about 35 % by weight or about 30 to about 32 % by weight.

[00156] For example, the crystallization can be carried out at a temperature of about 45 to about 65 °C or about 50 to about 60 °C.

[00157] For example, the HCl can be obtained from the gaseous HCl so-produced.

[00158] For example, in the processes of the present disclosure, a given batch or quantity of the material will be leached, will then be converted into AlCl_3 and when the HCl

generated during calcination of AlCl_3 into Al_2O_3 will be used for example to leach another given batch or quantity of the material.

[00159] For example, the processes can comprise heating the precipitate at a temperature of at least 180, 230, 250, 300, 350, 400, 450, 500, 550, 600, 650, 700, 750, 800, 850, 900, 925, 930, 1000, 1100, 1200 or 1250 °C for converting AlCl_3 or $\text{Al}(\text{OH})_3$ into Al_2O_3 .

[00160] For example, converting AlCl_3 into Al_2O_3 can comprise calcination of AlCl_3 .

[00161] For example, calcination is effective for converting AlCl_3 into beta- Al_2O_3 .

[00162] For example, calcination is effective for converting AlCl_3 into alpha- Al_2O_3 .

[00163] For example, converting AlCl_3 into Al_2O_3 can comprise carrying out a calcination via a two-stage circulating fluid bed reactor.

[00164] For example, converting AlCl_3 into Al_2O_3 can comprise carrying out a calcination via a two-stage circulating fluid bed reactor that comprises a preheating system.

[00165] For example, converting AlCl_3 into Al_2O_3 can comprise carrying out a calcination at low temperature, for example, about 300 to about 600 °C, about 325 to about 550 °C, about 350 to about 500 °C, about 375 to about 450 °C, about 375 to about 425 °C, or about 385 to about 400 °C and/or injecting steam.

[00166] For example, converting AlCl_3 into Al_2O_3 can comprise carrying out a calcination at low temperature, for example, at least 180 °C, at least 250 °C, at least 300 °C, at least 350 °C and/or injecting steam.

[00167] For example, converting AlCl_3 into Al_2O_3 can comprise carrying out a calcination at low temperature, for example, less than 600 °C and/or injecting steam.

[00168] For example, converting AlCl_3 into Al_2O_3 can comprise carrying out a calcination by using coal as combustion source and by using a degasification unit.

[00169] For example, steam (or water vapor) can be injected at a pressure of about 200 to about 700 psig, about 300 to about 700 psig, about 400 to about 700 psig, about 550 to about 650 psig, about 575 to about 625 psig, or about 590 to about 610 psig.

[00170] For example, steam (or water vapor) can be injected and a plasma torch can be used for carrying fluidization.

[00171] For example, the steam (or water vapor) can be overheated.

[00172] For example, the steam (or water vapor) can be at a temperature of about 300 to about 400 °C.

[00173] For example, acid from the offgases generated during calcination can be then treated via a gas phase purification process.

[00174] For example, converting AlCl_3 into Al_2O_3 can comprise carrying out a calcination by means of carbon monoxide (CO).

[00175] For example, converting AlCl_3 into Al_2O_3 can comprise carrying out a calcination by means of a Refinery Fuel Gas (RFG).

[00176] For example, calcination can be carried out by injecting water vapor or steam and/or by using a combustion source chosen from fossil fuels, carbon monoxide, a Refinery Fuel Gas, coal, or chlorinated gases and/or solvents.

[00177] For example, calcination can be carried out by injecting water vapor or steam and/or by using a combustion source chosen from natural gas or propane.

[00178] For example, calcination can be carried out by providing heat by means of electric heating, gas heating, microwave heating.

[00179] The obtained alumina can be washed by demineralized water so as to at least partially remove NaCl and/or KCl.

[00180] For example, the fluid bed reactor can comprise a metal catalyst chosen from metal chlorides.

[00181] For example, the fluid bed reactor can comprise a metal catalyst that is FeCl_3 , FeCl_2 or a mixture thereof.

[00182] For example, the fluid bed reactor can comprise a metal catalyst that is FeCl_3 .

[00183] For example, the preheating system can comprise a plasma torch.

[00184] For example, steam can be used as the fluidization medium heating. Heating can also be electrical.

[00185] For example, a plasma torch can be used for preheating the calcination reactor.

[00186] For example, a plasma torch can be used for preheating air entering in the calcination reactor.

[00187] For example, a plasma torch can be used for preheating a fluid bed.

[00188] For example, the calcination medium can be substantially neutral in terms of O₂ (or oxidation). For example, the calcination medium can favorize reduction (for example a concentration of CO of about 100 ppm).

[00189] For example, the calcination medium is effective for preventing formation of Cl₂.

[00190] For example, the processes can comprise converting AlCl₃•6H₂O into Al₂O₃ by carrying out a calcination of AlCl₃•6H₂O that is provided by the combustion of gas mixture that comprises :

CH₄ : 0 to about 1% vol;

C₂H₆ : 0 to about 2% vol;

C₃H₈ : 0 to about 2% vol;

C₄H₁₀ : 0 to about 1% vol;

N₂ : 0 to about 0.5% vol;

H₂ : about 0.25 to about 15.1 % vol;

CO : about 70 to about 82.5 % vol; and

CO₂ : about 1.0 to about 3.5% vol.

[00191] Such a mixture can be efficient for reduction in off gas volume of 15.3 to 16.3%; therefore the capacity increases of 15.3 to 16.3 % proven on practical operation of the circulating fluid bed. Thus for a same flow it represents an Opex of $0.65 \times 16.3\% = 10.6\%$.

[00192] For example, the air to natural gas ratio of (Nm³/h over Nm³/h) in the fluid bed can be about 9.5 to about 10

[00193] For example, the air to CO gas ratio of (Nm³/h over Nm³/h) in the fluid bed can be about 2 to about 3.

[00194] For example, the processes can comprise, before leaching the material, a pre-leaching removal of fluorine optionally contained in the material.

[00195] For example, the processes can comprise leaching of the material with HCl so as to obtain the leachate comprising aluminum ions and the solid, separating the solid from the leachate; and further treating the solid so as to separate SiO₂ from TiO₂ that are contained therein.

[00196] For example, the processes can comprise leaching the material with HCl so as to obtain the leachate comprising aluminum ions and the solid, separating the solid from the leachate; and further treating the solid with HCl so as to separate Si from Ti that are contained therein.

[00197] For example, the processes can comprise leaching the material with HCl so as to obtain the leachate comprising aluminum ions and the solid, separating the solid from the leachate; and further treating the solid with HCl at a concentration of less than 20 % wt., at a temperature of less than 85 °C, in the presence of MgCl₂, so as to separate Si from Ti that are contained therein.

[00198] For example, converting AlCl₃ into Al₂O₃ can comprise carrying out a one-step calcination.

[00199] For example, calcination can be carried out at different temperatures with steam. Temperature applied of superheated steam can be of about 350°C to about 550°C or about 350°C to about 940°C or about 350°C to about 1200°C.

[00200] For example, multi stage evaporation step of the hydrolyser can be carried out to reduce drastically energy consumption.

[00201] For example, the processes can be effective for providing an Al₂O₃ recovery yield of at least 93 %, at least 94 %, at least 95 %, about 90 to about 95 %, about 92 to about 95 %, or about 93 to about 95 %.

[00202] For example, the processes can be effective for providing a Fe₂O₃ recovery yield of at least 98 %, at least 99 %, about 98 to about 99.5 %, or about 98.5 to about 99.5 %.

[00203] For example, the processes can be effective for providing a MgO recovery yield of at least 96 %, at least 97 %, at least 98 %, or about 96 to about 98 %.

[00204] For example, the processes can be effective for providing a HCl recovery yield of at least 98 %, at least 99 %, or about 98 to about 99.9 %.

[00205] For example, the processes can be effective for providing chlorides of rare earth elements (REE-Cl) and chlorides of rare metals (RM-Cl) in recovery yields of about 75 % to about 96.5 % by using internal processes via an internal concentration loop.

[00206] For example, the processes can be effective for providing hydrochloric acid recovery yield of about 99.75 % with non-hydrolysable elements.

[00207] For example, the material can be argillite.

[00208] For example, the material can be bauxite.

[00209] For example, the material can be red mud.

[00210] For example, the material can be fly ashes.

[00211] For example, the material can be chosen from industrial refractory materials.

[00212] For example, the material chosen from aluminosilicate minerals.

[00213] For example, the processes can be effective for avoiding producing red mud.

[00214] For example, the alumina and the other products are substantially free of red mud.

[00215] For example, HCl can be recycled. For example, such a recycled HCl can be concentrated and/or purified.

[00216] For example, gaseous HCl can be concentrated and/or purified by means of H₂SO₄. For example, gaseous HCl can be passed through a packed column where it is contacted with a H₂SO₄ countercurrent flow. For example, by doing so, concentration of HCl can be increased by at least 50 % wt., at least 60 % wt., at least 70 % wt., at least 75 % wt., at least 80 % wt., about 50 % wt. to about 80 % wt., about 55 % wt. to about 75 % wt., or about 60 % wt. For example, the column can be packed with a polymer such as polypropylene(PP) or polytrimethylene terephthalate (PTT).

[00217] For example, gaseous HCl can be concentrated and/or purified by means of CaCl₂ or LiCl. For example, gaseous HCl can be passed through a column packed with CaCl₂ or LiCl.

[00218] For example, AlCl₃•6H₂O obtained in the processes of the present disclosure can be further purified as described in US 61/726,079, that is hereby incorporated by reference in its entirety.

[00219] For example, $MgCl_2$ can be substantially selectively precipitated from the leachate and removed therefrom and then, the leachate can be reacted with HCl so as to obtain the liquid and the precipitate comprising the aluminum ions in the form of $AlCl_3$, and separating the precipitate from the liquid.

[00220] For example, the leachate can be reacted with HCl so as to obtain the liquid and the precipitate comprising the aluminum ions in the form of $AlCl_3$, and separating the precipitate from the liquid, and then the $MgCl_2$ is substantially selectively precipitated from the leachate and removed therefrom.

[00221] For example, the aluminum-containing material can be leached with HCl so as to obtain the leachate comprising aluminum ions, magnesium ions and the solid, and the solid is separated from the leachate at a temperature of at least 50, 60, 75 or 100 °C. For example, a filtration can be carried out and the temperature of the leachate can have a value as previously indicated.

[00222] For example, $MgCl_2$ can be substantially selectively precipitated from the leachate at a temperature of about 5 to about 70 °C, about 10 to about 60 °C, about 10 to about 40 °C, or about 15 to about 30 °C.

[00223] For example, the processes can comprise, before reacting the leachate with HCl so as to obtain the liquid and the precipitate, controlling the temperature of the leachate so as to substantially selectively precipitate a second metal in the form of a chloride, and removing the precipitate from the leachate.

[00224] For example, the processes can comprise, after reacting the leachate with HCl so as to obtain the liquid and the precipitate, controlling the temperature of the leachate so as to substantially selectively precipitate a second metal in the form of a chloride, and removing the precipitate from the leachate.

[00225] For example, the processes can further comprises treating the precipitate under conditions effective for converting the chloride of the first metal it into an oxide of the first metal and optionally recovering gaseous HCl so-produced.

[00226] For example, the processes can further comprises treating the precipitate under conditions effective for converting the chloride of the second metal it into an oxide of the second metal and optionally recovering gaseous HCl so-produced.

[00227] For example, the solid can be treated with HCl and the metal chloride so as to obtain a liquid portion comprising Ti and a solid portion containing Si and wherein the liquid portion is separated from the solid portion.

[00228] For example, the solid can be treated with HCl and the metal chloride so as to obtain a liquid portion comprising TiCl_4 .

[00229] For example, the process can further comprise converting TiCl_4 into TiO_2 .

[00230] For example, TiCl_4 can be converted into TiO_2 by solvent extraction of the third liquid fraction and subsequent formation of titanium dioxide from the solvent extraction.

[00231] For example, TiCl_4 can be reacted with water and/or a base to cause precipitation of TiO_2 .

[00232] For example, TiCl_4 can be converted into TiO_2 by means of a pyrohydrolysis, thereby generating HCl.

[00233] For example, TiCl_4 can be converted into TiO_2 by means of a pyrohydrolysis, thereby generating HCl that is recycled.

[00234] For example, the metal chloride can be MgCl_2 or ZnCl_2 .

[00235] For example, the solid can comprise TiO_2 and SiO_2 and the solid is treated with Cl_2 and carbon in order to obtain a liquid portion and a solid portion, and wherein the solid portion and the liquid portion are separated from one another.

[00236] For example, the liquid portion can comprise TiCl_2 and/or TiCl_4 .

[00237] For example, the liquid portion can comprise TiCl_4 .

[00238] For example, the process can further comprise heating TiCl_4 so as to convert it into TiO_2 .

[00239] For example, the obtained TiO_2 can be purified by means of a plasma torch.

[00240] For example, the various products obtained by the processes of the present disclosure such as alumina, hematite, titanium oxides, magnesium oxides, rare earth elements and rare metals can be further purified by means of a plasma torch. For example, the rare earth elements and rare metals, once isolated, can be individually injected into a plasma torch so as to further purify them.

[00241] For example, the processes can further comprise converting alumina (Al_2O_3) into aluminum. Conversion of alumina into aluminum can be carried out, for example, by using the Hall–Hérout process. Reference is made to such a well known process in various patents and patent applications such as US 20100065435; US 20020056650; US 5,876,584; US 6,565,733. Conversion can also be carried out by means of other methods such as those described in US 7,867,373; US 4,265,716; US 6,565,733 (converting alumina into aluminum sulfide followed by the conversion of aluminum sulfide into aluminum.). For example, aluminum can be produced by using a reduction environment and carbon at temperature below 200°C . Aluminum can also be produced by reduction using potassium and anhydrous aluminum chloride (Wohler Process).

[00242] For example, controlling the temperature of the leachate so as to precipitate the first metal in the form of a chloride, and removing the precipitate from the leachate, can be carried out before reacting the leachate with HCl so as to obtain a liquid and a precipitate comprising a chloride of the second metal, and separating the precipitate from the liquid.

[00243] For example, controlling the temperature of the leachate so as to precipitate the first metal in the form of a chloride, and removing the precipitate from the leachate, can be carried out after reacting the leachate with HCl so as to obtain a liquid and a precipitate comprising a chloride of the second metal, and separating the precipitate from the liquid.

[00244] For example, reacting the leachate with HCl so as to obtain a precipitate comprising the first metal in the form of a chloride, can be carried out by substantially selectively precipitating the first metal chloride.

[00245] For example, reacting the leachate with HCl so as to obtain a precipitate comprising the second metal in the form of a chloride, can be carried out by substantially selectively precipitating the second metal chloride,

[00246] For example, controlling the temperature of the leachate so as to precipitate the first metal in the form of a chloride can be carried out substantially selectively.

[00247] For example, controlling the temperature of the leachate so as to precipitate the second metal in the form of a chloride can be carried out substantially selectively.

[00248] For example, controlling the concentration of HCl in the leachate and/or the temperature of the leachate so as to precipitate the first metal in the form of a chloride, can be carried out substantially selectively.

[00249] For example, controlling the concentration of HCl in the leachate and/or the temperature of the leachate so as to precipitate the second metal in the form of a chloride, can be carried out substantially selectively.

[00250] For example, the first metal can be chosen from aluminum, iron, zinc, copper, gold, silver, molybdenum, cobalt, magnesium, lithium, manganese, nickel, palladium, platinum, thorium, phosphorus, uranium and titanium, and/or at least one rare earth element and/or at least one rare metal.

[00251] For example, the liquid can comprise a second metal.

[00252] For example, the second metal can be chosen from aluminum, iron, zinc, copper, gold, silver, molybdenum, cobalt, magnesium, lithium, manganese, nickel, palladium, platinum, thorium, phosphorus, uranium and titanium, and/or at least one rare earth element and/or at least one rare metal.

[00253] For example, the process can comprise separating the precipitate from the liquid and heating the second metal in order to convert a chloride of the second metal into an oxide of the second metal.

[00254] For example, the second metal can be magnesium.

[00255] For example, the second metal can be aluminum.

[00256] For example, the first metal can be aluminum and the second metal can be magnesium.

[00257] For example, the second metal can be aluminum and the first metal can be magnesium.

[00258] For example, the processes can comprise :

separating the solid from the leachate;

leaching the solid with an acid so as to obtain another leachate; and

recovering a third metal from the another leachate.

[00259] For example, the third metal can be chosen from aluminum, iron, zinc, copper, gold, silver, molybdenum, cobalt, magnesium, lithium, manganese, nickel, palladium, platinum, thorium, phosphorus, uranium and titanium, and/or at least one rare earth element and/or at least one rare metal.

[00260] For example, the third metal can be titanium.

[00261] For example, the acid can be chosen from HCl, HNO₃, H₂SO₄ and mixtures thereof.

[00262] For example, the process can comprise recovering the third metal from the another leachate by precipitating the third metal.

[00263] For example, the third metal can be precipitated by reacting it with HCl.

[00264] For example, the process can further comprise heating the third metal in order to convert a chloride of the third metal into an oxide of the third metal.

[00265] For example, the first metal can be magnesium.

[00266] For example, the first metal can be nickel.

[00267] For example, the second metal can be magnesium.

[00268] For example, the second metal can be nickel.

[00269] For example, the process can comprise reacting the leachate with gaseous HCl so as to obtain a liquid and a precipitate comprising MgCl₂.

[00270] For example, the process comprises reacting the leachate with gaseous HCl so as to obtain a liquid and a precipitate comprising MgCl₂.

[00271] For example, NaCl recovered from the processes of the present disclosure can be reacted with SO₂, so as to produce HCl and Na₂SO₄. Such a reaction that is an exothermic reaction can generate steam that can be used to activate a turbine and eventually produce electricity.

[00272] For example, U and/or Th can be treated with the processes of the present disclosure. For example, these two elements can be in such processes in admixtures with iron ions and they can be separated therefrom by means of at least one ion exchange resin.

[00273] For example, the processes can comprise substantially selectively precipitating the magnesium ions by reacting the leachate with the precipitating agent.

[00274] For example, the precipitating agent can be $Mg(OH)_2$.

[00275] For example, the at least one metal can be nickel.

[00276] For example, the at least one metal can be cobalt.

[00277] For example, the at least one metal can be iron.

[00278] For example, the at least one metal can be aluminum.

[00279] In the processes of the present disclosure, when the material to be treated comprises aluminum and magnesium, magnesium can be first removed from the leachate by controlling temperature of said leachate so as to substantially selectively cause precipitation (or crystallization) of $MgCl_2$, remove it from the leachate and then substantially selectively cause precipitation of $AlCl_3$ by reacting the leachate with HCl (for example gaseous HCl). Alternatively, the leachate can be reacted with HCl to substantially selectively cause precipitation (or crystallization) of $AlCl_3$ (for example gaseous HCl). In such a case the temperature can be maintained for example above 50, 60, 70, 80, or 90 °C. $AlCl_3$ is then removed from the leachate and then, temperature of the leachate is controlled so as to substantially selectively cause precipitation of $MgCl_2$. Depending on the concentration of Al vs Mg in the starting material one scenario or the other can be selected. For example, if the concentration of Mg is greater than the concentration of Al, Mg can be removed first from the leachate. For example, if the concentration of Al is greater than the concentration of Mg, Al can be removed first from the leachate.

[00280] In the processes of the present disclosure, when the material to be treated comprises aluminum, iron and magnesium. Magnesium can be first removed from the leachate by controlling temperature of said leachate so as to substantially selectively cause precipitation (or crystallization) of $MgCl_2$, remove it from the leachate and then substantially selectively cause precipitation of $AlCl_3$ by reacting the leachate with HCl (for example gaseous HCl). Then, the remaining composition comprising iron chloride can be treated so

as to convert iron chloride into iron oxide by using one of the methods discussed in the present disclosure. Alternatively, the leachate can be reacted with HCl to substantially selectively cause precipitation (or crystallization) of AlCl_3 (for example gaseous HCl). In such a case the temperature can be maintained for example above 50, 60, 70, 80, or 90 °C. AlCl_3 is then removed from the leachate and then, temperature of the leachate is controlled so as to substantially selectively cause precipitation of MgCl_2 . Then, the remaining composition comprising iron chloride can be treated so as to convert iron chloride into iron oxide by using the methods discussed in the present disclosure.

[00281] For example, the precipitate can be reacted with a base (for example KOH or NaOH). For example, AlCl_3 can be converted into $\text{Al}(\text{OH})_3$ before calcination.

[00282] According to one example as shown in Fig. 1, the processes can involve the following steps (the reference numbers in Fig. 1 correspond to the following steps) :

1- The aluminum-containing material is reduced to an average particle size of about 50 to about 80 μm .

2- The reduced and classified material is treated with hydrochloric acid which allows for dissolving, under a predetermined temperature and pressure, the aluminum with other elements like iron, magnesium and other metals including rare earth elements and/or rare metals. The silica and titanium (if present in raw material) remain totally undissolved.

3- The mother liquor from the leaching step then undergoes a separation, a cleaning stage in order to separate the solid from the metal chloride in solution.

4- The spent acid (leachate) obtained from step 3 is then brought up in concentration with dry and highly concentrated gaseous hydrogen chloride by sparging this one into a crystallizer. This results into the crystallization of aluminum chloride hexahydrate (precipitate) with a minimum of other impurities. Depending on the concentration of iron chloride at this stage, further crystallization step(s) can be required. The precipitate is then separated from the liquid. For example, particle size of crystals can be about 100 to about 500 microns, about 200 to about 400 microns, or about 200 to about 300 microns. Alternatively, particle size of crystals can be about 100 to about 200 microns, about 300 to about 400 microns or about 400 to 500 microns.

5- The aluminum chloride hexahydrate is then calcined (for example by means of a rotary kiln, fluid bed, etc) at high temperature in order to obtain the alumina form. Highly concentrated gaseous hydrogen chloride is then recovered and excess is brought in aqueous form to the highest concentration possible so as to be used (recycled) in the acid leaching step. Acid can also be directly sent in gas phase to the acid purification stage to increase HCl concentration from about 30 wt % to about 95 wt %. This can be done, for example, during drying stage.

6- Iron chloride (the liquid obtained from step 4) is then pre-concentrated and hydrolyzed at low temperature in view of the Fe_2O_3 (hematite form) extraction and acid recovery from its hydrolysis. All heat recovery from the calcination step (step 5), the leaching part exothermic reaction (step 1) and other section of the processes is being recovered into the pre-concentrator.

10- After the removal of hematite, a solution rich in rare earth elements and/or rare metals can be processed. As it can be seen in Fig.3, an internal recirculation can be done (after the removal of hematite) and the solution rich in rare earth elements and/or rare metals can be used for crystallization stage 4. Extraction of the rare earth elements and/or rare metals can be done as described in WO/2012/126092 and/or WO/2012/149642. These two documents are hereby integrated by reference in their entirety.

Other non-hydrolysable metal chlorides (Me-Cl) such as MgCl_2 and others then undergo the following steps:

7- The solution rich in magnesium chloride and other non-hydrolysable products at low temperature is then brought up in concentration with dry and highly concentrated gaseous hydrogen chloride by sparging it into a crystallizer. This results into the precipitation of magnesium chloride as an hexahydrate, for example after sodium and potassium chloride removal.

8- Magnesium chloride hexahydrate is then calcined (either through a rotary kiln, fluid bed, etc.) and hydrochloric acid at very high concentration is thus regenerated and brought back to the leaching step.

9- Other Me-Cl undergo a standard pyrohydrolysis step where mixed oxides (Me-O) can be produced and hydrochloric acid at the azeotropic point (20.2% wt.) is regenerated.

13- Ti contained in the solid obtained from step 3 can be treated so as to separate Si from Ti and thus obtain SiO₂ and TiO₂.

[00283] NaCl produced in this process can undergo chemical reaction with H₂SO₄ to produce Na₂SO₄ and HCl at a concentration at or above azeotropic concentration. Moreover, KCl can undergo chemical reaction with H₂SO₄ to produce K₂SO₄ and HCl having a concentration that is above the azeotropic concentration. Sodium and potassium chloride brine solution can be the feed material to adapted small chlor-alkali electrolysis cells. In this latter case, common bases (NaOH and KOH) and bleach (NaOCl and KOCl) are produced as well as HCl.

[00284] For example, the liquid can be concentrated to a concentrated liquid having an iron chloride concentration of at least 30% by weight; and then the iron chloride can be hydrolyzed at a temperature of about 155 to about 350 °C while maintaining a ferric chloride concentration at a level of at least 65% by weight, to generate a composition comprising a liquid and precipitated hematite, and recovering the hematite.

[00285] For example, the liquid can be concentrated to a concentrated liquid having an iron chloride concentration of at least 30% by weight; and then the iron chloride can be hydrolyzed at a temperature of about 155 to about 350 °C while maintaining a ferric chloride concentration at a level of at least 65% by weight, to generate a composition comprising a liquid and precipitated hematite; recovering the hematite; and recovering rare earth elements and/or rare metals from the liquid. For example, the process can further comprise, after recovery of the rare earth elements and/or rare metals, reacting the liquid with HCl so as to cause precipitation of MgCl₂, and recovering same.

[00286] As previously indicated, various aluminum-containing materials can be used as starting material of the processes disclosed in the present disclosure. Examples with clays and bauxite have been carried out. However, the person skilled in the art will understand that the continuous processes can handle high percentages of silica (>55%) and impurities as well as relatively low percentages of aluminum (for example as low as about 15%) and still being economically and technically viable. Satisfactory yields can be obtained (>93-

95%) on Al_2O_3 and greater than 75%, 85 or 90 % on rare earth elements and/or rare metals. No pre-thermal treatment in most cases are required. The processes disclosed in the present disclosure involve special techniques on leaching and acid recovery at very high strength, thereby offering several advantages over alkaline processes.

[00287] In step 1 the mineral, whether or not thermally treated is crushed, milled, dried and classified to have an average particle size of about 50 to about 80 μm .

[00288] In step 2, the milled raw material is introduced into the reactor and will undergo the leaching phase.

[00289] The leaching hydrochloric acid used in step 2 can be a recycled or regenerated acid from steps 5, 6, 8, 9, 10 and 11 (see Fig. 3) its concentration can vary from 15% to 45% weight. percent. Higher concentration can be obtained using membrane separation, cryogenic and/or high pressure approach. The acid leaching can be carried out under pressure and at temperature close to its boiling point thus, allowing a minimal digestion time and extended reaction extent (90%-100%). Leaching (step 2) can be accomplished in a semi-continuous mode where spent acid with residual free hydrochloric acid is replaced by highly concentrated acid at a certain stage of the reaction or allowing a reduced acid/mineral ratio, thereby reducing reaction time and improving reaction kinetics. For example, kinetic constant k can be : 0.5 – 0.75 g/mole.L. For example, leaching can be continuous leaching.

[00290] As previously indicated, alkali metals, iron, magnesium, sodium, calcium, potassium, rare earth elements and other elements will also be in a chloride form at different stages. Silica and optionally titanium can remain undissolved and will undergo (step 3) a liquid/solid separation and cleaning stage. The processes of the present disclosure tend to recover maximum amount of free hydrochloric acid left and chlorides in solution in order to maximize hydrochloric acid recovery yield, using techniques such as rake classifying, filtration with band filters, centrifugation, high pressure, rotofilters and others. Thanks to step 13, Ti contained in the solid obtained from step 3 can be treated so as to separate Si from Ti and thus obtain SiO_2 and TiO_2 . Various possible strategies can be used to separated Si from Ti as previously indicated. For example, the solid can be further leached (for example with HCl in the presence of a metal chloride (for example MgCl_2 or ZnCl_2) so as to solubilize Ti (for example in the form of TiCl_4) while the Si remains solid. Alternatively, the solid can be reacted with Cl_2 (see Figs. 10A and 10B). he purified silica

can then optionally undergo one or two additional leaching stages (for example at a temperature of about 150 to about 160 °C) so as to increase the purity of silica above 99.9 %.

[00291] Pure SiO₂ (one additional leaching stage) cleaning with nano water purity 99% min. Mother liquor free of silica is then named as spent acid (various metal chlorides and water) and goes to the crystallization step (step 4). Free HCl and chlorides recovery can be at least 99, 99.5 or 99.9 %

[00292] In step 4, the spent acid (or leachate) with a substantial amount of aluminum chloride is then saturated with dry and highly concentrated gaseous hydrogen chloride obtained or recycled from step 5 or with aqueous HCl > 30% wt., which results in the precipitate of aluminum chloride hexahydrate (AlCl₃ • 6H₂O). The precipitate retained is then washed and filtered or centrifuged before being fed to the calcination stage (step 5). The remaining of the spent acid from step 4 is then processed to acid recovery system (steps 6 to 8) where pure secondary products will be obtained.

[00293] In step 5, aluminum oxide (alumina) is directly obtained from high temperature conditions. The highly concentrated hydrogen chloride in gaseous form obtained can be fed to steps 4 and 7 for crystallization where it can be treated through hydrophobic membranes. The excess hydrogen chloride is absorbed and used as regenerated acid to the leaching step 2 as highly concentrated acid, higher than the concentration at the azeotropic point (>20.2%). For example, such a concentration can be about 18 to about 45 weight %, about 25 to about 45 weight % or between 25 and 36 weight %. Acid can also be redirected in gas phase directly (> 30 wt %) to acid purification.

[00294] After step 4, various chlorides derivatives (mainly iron with magnesium and rare earth elements and rare metals) are next subjected to an iron extraction step. Such a step can be carried out for example by using the technology disclosed in WO 2009/153321, which is hereby incorporated by reference in its entirety. Moreover, hematite can be seeded for crystal growth. For example, hematite seeding can comprise recirculating the seeding.

[00295] In step 6, a hydrolysis at low temperature (155-350°C) is carried out and pure Fe₂O₃ (hematite) is being produced and hydrochloric acid of at least 15% concentration is being regenerated. The method as described in WO 2009/153321 is processing the solution of ferrous chloride and ferric chloride, possible mixtures thereof, and free

hydrochloric acid through a series of steps pre-concentration step, oxidation step where ferrous chloride is oxidized into ferric form, and finally through an hydrolysis step into an operational unit called hydrolyser where the ferric chloride concentration is maintained at 65 weight % to generate a rich gas stream where concentration ensures a hydrogen chloride concentration of 15-20.2% and a pure hematite that will undergo a physical separation step. Latent heat of condensation is recovered to the pre-concentration and used as the heating input with excess heat from the calcination stage (step 5).

[00296] The mother liquor from the hydrolyser (step 6) can be recirculated partially to first step crystallization process where an increase in concentration of non-hydrolysable elements is observed. After iron removal, the liquor is rich in other non-hydrolysable elements and mainly comprises magnesium chloride or possible mixture of other elements (various chlorides) and rare earth elements and rare metals that are, for example, still in the form of chlorides.

[00297] Rare earth elements and rare metals in form of chlorides are highly concentrated, in percentage, into the hydrolyser operational unit (step 6) and are extracted from the mother liquor (step 10) where various known techniques can be employed to extract a series of individual RE-O (rare earth oxides). Among others, the processes of the present disclosure allows to concentrate to high concentration the following elements, within the hydrolyser: scandium (Sc), gallium (Ga), yttrium (Y), dysprosium (Dy), cerium (Ce), praseodymium (Pr), neodymium (Nd), europium (Eu), lanthanum (La), samarium (Sm), gadolinium, (Gd), erbium (Er), zirconium (Zr) and mixtures of thereof. Technologies that can be used for extracting rare earth elements and/or rare metals can be found, for example, in Zhou et al. in RARE METALS, Vol. 27, No. 3, 2008, p223-227, and in US 2004/0042945, hereby incorporated by reference in their entirety. The person skilled in the art will also understand that various other processes normally used for extracting rare earth elements and/or rare metals from the Bayer process can also be used. For example, various solvent extraction techniques can be used. For certain elements, a technique involving octylphenyl acid phosphate (OPAP) and toluene can be used. HCl can be used as a stripping agent. This can be effective for recovering Ce_2O_3 , Sc_2O_3 , Er_2O_3 etc. For example, different sequence using oxalic acid and metallic iron for ferric chloride separation can be used.

[00298] The spent acid liquor from steps 6 and 10 rich in value added metals, mainly magnesium, is processed to step 7. The solution is saturated with dry and highly concentrated gaseous hydrogen chloride from step 5, which results in the precipitation of magnesium chloride hexahydrate. For example, same can be accomplished with HCl in aqueous form over 30% wt. The precipitate retained, is fed to a calcination stage step 8 where pure MgO (>98% wt.) is obtained and highly concentrated hydrochloric acid (for example of at least 38 %) is regenerated and diverted to the leaching step (step 2). An alternative route for step 7 is using dry gaseous hydrochloric acid from step 8.

[00299] In step 9, metal chlorides unconverted are processed to a pyrohydrolysis step (700-900°C) to generate mixed oxides and where hydrochloric acid from 15-20.2% wt. concentration can be recovered.

[00300] According to another example as shown in Fig. 3, the processes can be similar to the example shown in Fig, 1 but can comprise some variants as below discussed.

[00301] In fact, as shown in Fig. 3, the processes can comprise (after step 6 or just before step 10) an internal recirculation back to the crystallization step 4. In such a case, The mother liquor from the hydrolyser (step 6) can be recirculated fully or partially to the crystallization of step 4 where a concentration increase will occur with respect to the non-hydrolysable elements including rare earth elements and/or rare metals.

[00302] Such a step can be useful for significantly increasing the concentration of rare earth elements and/or rare metals, thereby facilitating their extraction in step 10.

[00303] With respect to step 7, the solution rich in magnesium chloride and other non-hydrolysable products at low temperature is, as previously discussed, then brought up in concentration with dry and highly concentrated gaseous hydrogen chloride by sparging it into a crystallizer. This can result into the precipitation of magnesium chloride as an hexahydrate (for example after sodium and potassium chloride removal). This can also be accomplished with HCl in aqueous form.

[00304] As shown in Fig. 3, an extra step 11 can be added. Sodium chloride can undergo a chemical reaction with sulfuric acid so as to obtain sodium sulfate and regenerate hydrochloric acid at a concentration at or above the azeotropic point. Potassium chloride can undergo a chemical reaction with sulfuric acid so as to obtain potassium sulfate and regenerate hydrochloric acid at a concentration above the azeotropic concentration.

Sodium and potassium chloride brine solution can be the feed material to adapted small chlor-alkali electrolysis cells. In this latter case, common bases (NaOH and KOH) and bleach (NaOCl and KOCl) are produced and can be reused to some extent in other areas of the processes of the present disclosure (scrubber, etc.).

[00305] The following are non-limitative examples.

Example 1

Preparation of alumina and various other products

[00306] As a starting material a sample of clay was obtained from the Grande Vallée area in Québec, Canada.

[00307] These results represent an average of 80 tests carried out from samples of about 900 kg each.

[00308] Crude clay in the freshly mined state after grinding and classification had the following composition:

Al₂O₃ : 15% - 26%;

SiO₂ : 45% - 50%;

Fe₂O₃ : 8% - 9%;

MgO : 1% – 2%;

Rare earth elements and/or rare metals : 0.04% - 0.07%;

LOI : 5% - 10%.

[00309] This material is thereafter leached in a two-stage procedure at 140-170 °C with 18-32 weight % HCl. The HCl solution was used in a stoichiometric excess of 10-20% based on the stoichiometric quantity required for the removal of the acid leachable constituents of the clay. In the first leaching stage of the semi-continuous operation (step 2), the clay was contacted for 2.5 hours with required amount or certain proportion of the total amount of hydrochloric acid. After removal of the spent acid, the clay was contacted again with a minimum 18 weight % hydrochloric acid solution for about 1.5 hour at same temperature and pressure.

[00310] A typical extraction curve obtained for both iron and aluminum for a single stage leaching is shown in Fig. 2.

[00311] The leachate was filtered and the solid was washed with water and analyzed using conventional analysis techniques (see step 3 of Fig. 1). Purity of obtained silica was of 95.4% and it was free of any chlorides and of HCl.

[00312] In another example, the purity of the silica was 99.67 % through an extra leaching step.

[00313] After the leaching and silica removal, the concentration of the various metal chlorides was :

AlCl₃ : 15-20%;

FeCl₂ : 4-6%;

FeCl₃ : 0.5-2.0%;

MgCl₂ : 0.5-2.0 %;

REE-Cl : 0.1 – 2 %

Free HCl : 5-50 g/l

[00314] Spent acid was then crystallized using about 90 to about 98% pure dry hydrochloric acid in gas phase in two stages with less than 25 ppm iron in the aluminum chloride hexahydrate formed. The concentration of HCl in solution (aqueous phase) was about 22 to about 32% or 25 to about 32 %, allowing 95.3 % of Al₂O₃ recovery. The recovered crystallized material (hydrate form of AlCl₃ having a minimum purity of 99.8 %) was then calcined at 930°C or 1250°C, thus obtaining the α form of the alumina. Heating at 930°C allows for obtaining the beta-form of alumina while heating at 1250°C allows for obtaining the alpha-form.

[00315] Another example was carried out at low temperature (decomposition and calcination at about 350 °C) and the α form of the alumina was less than 2 %.

[00316] HCl concentration in gas phase exiting the calcination stage was having a concentration greater than 30% and was used (recycled) for crystallization of the AlCl₃ and

MgCl₂. Excess of hydrochloric acid is absorbed at the required and targeted concentration for the leaching steps.

[00317] Iron chloride (about 90-95% in ferric form) is then sent to a hydrothermal process in view of its extraction as pure hematite (Fe₂O₃). This can be done by using the technology described in WO 2009/153321 of low temperature hydrolysis with full heat recovery from calcining, pyrohydrolysis and leaching stage.

[00318] Rare earth elements and rare metals are extracted from the mother liquor of the hydrolyzer where silica, aluminum, iron and a great portion of water have been removed and following preconcentration from hydrolyser to crystallization. It was observed that rare earth elements can be concentrated by a factor of about 4.0 to 10.0 on average within the hydrolyzer itself on a single pass through it i.e. without concentration loop. The following concentration factors have been noted within the hydrolyzer (single pass):

Ce > 6

La > 9

Nd > 7

Y > 9

[00319] Remaining magnesium chloride is sparged with dry and highly concentrated hydrochloric acid and then calcinated to MgO while recovering high concentration acid (for example up to 38.4%).

[00320] Mixed oxides (Me-O) containing other non-hydrolysable components were then undergoing a pyrohydrolysis reaction at 700-800°C and recovered acid (15-20.2% wt.) was rerouted for example to the leaching system.

Overall yields obtained:

Al₂O₃ : 93.0-95.03% recovery;

Fe₂O₃ : 92.65-99.5% recovery;

Rare earth elements : 95% minimum recovery (mixture);

MgO : 92.64-98.00% recovery;

Material discarded : 0-5% maximum;

HCl global recovery : 99.75% minimum;

HCl strength as feed to leaching 15-32% (aqueous); 95 % (gas)

Red mud production : none.

Example 2

Preparation of alumina and various other products

[00321] A similar feed material (bauxite instead of clay) was processed as per in example 1 up to the leaching stage and revealed to be easily leachable under the conditions established in example 1. It provided an extraction percentage of 100% for the iron and over 90-95% for aluminum. The technology was found to be economically viable and no harmful by-products (red mud) were generated. Samples tested had various concentrations of Al_2O_3 (up to 51%), Fe_2O_3 (up to 27%) and MgO (up to 1.5%). Gallium extraction of 97.0 % was observed. Scandium extraction was 95 %.

Example 3

HCl gas enrichment and purification: H_2SO_4 route

[00322] H_2SO_4 can be used for carrying out purification of HCl. It can be carried out by using a packing column with H_2SO_4 flowing counter currently (see Fig. 4). This allows for converting the recovered HCl into HCl having a concentration above the azeotropic point (20.1% wt) and increase its concentration by about 60 to about 70% at minimum.

[00323] Water is absorbed by H_2SO_4 and then H_2SO_4 regeneration is applied where H_2SO_4 is brought back to a concentration of about 95 to about 98% wt. Water release at this stage free of sulphur is recycled back and used for crystallization dissolution, etc. Packing of the column can comprise polypropylene or polytrimethylene terephthalate (PTT).

[00324] Combustion energy can be performed with off gas preheating air and oxygen enrichment. Oxygen enrichment: +2% represents flame temperature increase by: 400°C maximum.

[00325] Thus, HCl of the processes of the present disclosure can thus be treated accordingly.

Example 4

HCl gas enrichment and purification: calcium chloride to calcium chloride hexahydrate (absorption / desorption process)

[00326] As shown in Fig. 5, CaCl_2 can be used for drying HCl. In fact, CaCl_2 can be used for absorbing water contained into HCl. In such a case, CaCl_2 is converted into its hexachloride form ($\text{CaCl}_2 \cdot 6\text{H}_2\text{O}$) and one saturated system is eventually switched into regeneration mode where hot air recovered from calcination off gas of alumina and magnesium oxide spray roasting is introduced to regenerate the fixed bed. Alternatively, other absorbing agent such as LiCl can be used instead of CaCl_2 . Such an ion / exchange type process can be seen in Fig. 4 and the cycle can be inversed to switch from one column to another one.

[00327] The person skilled in the art would understand that the processes described in examples 3 and 4 (see Figs. 4 and 5) can be used in various different manners. For example, these processes can be combined with the various processes presented in the present disclosure. For example, such purifications techniques can be integrated to the processes shown in Figs. 1, 3, 6, to 8 or 11 to 14. For example, these techniques can be used downstream of at least one of step chosen from steps 5, 6, 8, 9, 10, 11, 13 and 20 (see Figs. 1, 3, 8, 13 and 14). They can also be used downstream of step 4 and/or step 7. They can also be used downstream of at least one of step chosen from steps 104 to 111 (see Figs. 6 and 7). Moreover, they can be used in Figs. 11 and 12 for example in steps 215, 216, 315 or 316.

Example 5

Preparation of alumina and various other products

[00328] This example was carried out by using a process as represented in Figs. 6 and 7. It should be noted that the processes represented in Figs. 6 and 7 differ mainly by the fact that Fig. 7 shows an stage i.e. stage 112.

Raw material preparation

[00329] Raw material, clay for example, was processed in a secondary crusher in the clay preparation plant 101. Dry milling and classifying occurs on a dry basis in vertical roller mills (for example Fuller-Loesche LM 30.41). The clay preparation 101 included three roller mills; two running at a capacity of approximately 160-180 tph and one on standby. Raw material, if required, can be reduced to 85% less than 63 microns. Processed material was then stored in homogenization silos before being fed to the acid leaching plant 102. Below in Table 1 are shown results obtained during stage 101. If the ore contains the fluorine element, a special treatment can be applied before carrying out the 102 stage. In presence of hydrochloric acid, fluorine can produce hydrofluoric acid. This acid is extremely corrosive and damaging for human health. Thus, before leaching 102, an optional treatment fluorine separation 112 can be done. Stage 112 can comprise treating the processed material coming from stage 101 with an acid in a pre-leaching treatment so as to remove hydrofluoric acid. Therefore, depending on the composition of the raw material, a fluorine separation stage 112 (or pre-leaching stage 112) can be carried out.

Table 1.

Clay preparation		
Rate	290 tph	
Composition feed (main constituents)	SiO ₂ :	50.9%
	Al ₂ O ₃ :	24.0%
	Fe ₂ O ₃ :	8.51%
	CaO:	0.48%
	MgO:	1.33%
	Na ₂ O:	1.06%
	K ₂ O:	2.86%
	MnO:	0.16%
	Cr ₂ O ₃ :	0.01%
	TiO ₂ :	0.85%
	P ₂ O ₅ :	0.145%
	SrO:	0.015%
	BaO:	0.05%
	V ₂ O ₅ :	0.0321%
Other (including H ₂ O and REE):	9.63%	
Obtained particle size	85% < 63 μm	
Residual moisture	0.5-0.7%	
Yield	99.5% min	

Acid Leaching

[00330] Next, acid leaching 102 was performed semi-continuously in an 80 m³ glass-lined reactor. Semi-continuous mode comprises replacing reacted acid 1/3 in the reaction period with higher concentration regenerated acid, which greatly improves reaction kinetics. The reactor arrangement comprises for example, a series of three reactors. Other examples have been carried out with a first leaching at 1 atm was carried out and then, a second and third semi-continuous or continuous leaching was carried out with aqueous or gaseous HCl.

[00331] Leaching was performed at high temperature and pressure (about 160 to about 195°C and pressures of about 5 to about 8 barg) for a fixed period of time. Reaction time was a function of the reaction extent targeted (98% for Al₂O₃), leaching mode, acid strength, and temperature/pressure applied.

[00332] Spent acid recovered out of the acid leaching 102 was then filtered 103 from unreacted silica and titanium dioxide and washed through an automated filter press where

all free HCl and chloride are recovered. Step 113 can then be carried out in various manners as indicated previously for step 13. This allows, for example, a maximum quantity of about 30 ppm SiO₂ going into spent liquor. Cleaned silica at a concentration of ≈96 % + SiO₂ is then produced. Various options are possible at that point. For example, the 96% silica can undergo final neutralization through caustic bath, cleaning, and then bricketing before storage. According to another example, the silica purified by adding another leaching step followed by a solid separation step that ensures TiO₂ removal (see stage 113 in Figs. 6 and 7). In that specific case, high purity silica 99.5%+ is produced. In stage 113, titanium and silicium can be separated from one another in various manners. For example, the solid obtained from stage 103 can be leached in the presence of MgCl₂ at a temperature below 90 or 80 °C and at low acid concentration. For example, acid concentration can be below 25 or 20 %. The acid can be HCl or H₂SO₄. In such a case, titanium remains soluble after such a leaching while titanium is still in a solid form. The same also applies when the solid is treated with Cl₂. These solid and liquid obtained after stage 113 are thus separated to provide eventually TiO₂ and SiO₂. Water input and flow for silica cleaning is in a ratio of 1:1 (silica/water) (150 t/h SiO₂ / 150 t/h H₂O), but comprises of wash water circulation in closed loop in the process and limited amount of process water for final cleaning of the silica and recovery of all chlorides and free HCl generated at the leaching stage. Below in Table 2 are shown results obtained during stage 102.

Table 2.

Acid Leaching		
Equivalent solid feed rate	259.6 tph	
Operation mode	Semi-continuous	
Acid to clay ratio	3.10 @ 23% wt (Equivalent to 3.35 with semi-continuous at 18.0 % wt)	
Regenerated acid concentration	18.0-32.0%	
Operating temperature	150-155°C (Pilot) 165-200°C (Plant)	
MAWP	120 psig	
Typical chemical reactions	$\text{Fe}_2\text{O}_3 + 6 \text{HCl} \rightarrow 2 \text{FeCl}_3 + 3\text{H}_2\text{O}$	
	$\text{Al}_2\text{O}_3 + 6 \text{HCl} \rightarrow 2 \text{AlCl}_3 + 3 \text{H}_2\text{O}$	
	$\text{MgO} + 2 \text{HCl} \rightarrow \text{MgCl}_2 + \text{H}_2\text{O}$	
	$\text{K}_2\text{O} + 2 \text{HCl} \rightarrow 2 \text{KCl} + \text{H}_2\text{O}$	
	$\text{Re}_2\text{O}_3 + 6 \text{HCl} \rightarrow 2 \text{ReCl}_3 + 3\text{H}_2\text{O}$	
Spent acid flow to crystallization	600-1100 m ³ /h	
Practical chemical composition after step 102 without solid (SiO ₂)	FeCl ₃	4.33%
	FeCl ₂	0.19%
	AlCl ₃	16.6%
	MgCl ₂	0.82%
	NaCl	1.1%
	KCl	1.2%
	CaCl ₂	0.26%
Extraction yields	Iron	100%
	Al ₂ O ₃	98%
SiO ₂ Recovery	99.997%	
Energy consumption	Activation energy only and self-sustained exothermic reaction from 130°C	

AlCl₃ Crystallization

[00333] Spent acid, with an aluminum chloride content of about 20 to about 30 %, was then processed in the crystallization stage 104. Dry and highly concentrated HCl (> 90% wt.) in gas phase was sparged in a two-stage crystallization reactor, which allows the crystallization of aluminum chloride hexahydrate.

[00334] The flow rate of acid through these reactors is about 600 to about 675 m³/h and the reactor was maintained at about 50 to about 60°C during this highly exothermic

reaction. Heat was recovered and exchanged to the acid purification 107 part of the plant thus ensuring proper heat transfer and minimizing heat consumption of the plant. Aluminum chloride solubility decreases rapidly, compared to other elements, with the increase in concentration of free HCl in the crystallization reactor. The concentration of AlCl_3 for precipitation/crystallization was about 30%

[00335] The HCl concentration during crystallization was thus about 30 to about 32 % wt.

[00336] The aqueous solution from the crystallization stage 104 was then submitted to the hydrothermal acid recovery plant 105, while the crystals are processed through the decomposition/calcination stage in the calcination plant 106.

[00337] A one-step crystallization stage or a multi-step crystallization stage can be done. For example, a two-steps crystallization stage can be carried out.

[00338] Below in Tables 3A and 3B are shown results obtained during stage 104.

Table 3A.

Aluminum chloride crystallization	
Number of crystallization steps	2
Operating temperature	50-60°C
Sparging HCl concentration	90% (gaseous)
Typical chemicals formed	$\text{AlCl}_3 \cdot 6\text{H}_2\text{O}$ (s) Metal chlorides (aq)
$\text{AlCl}_3 \cdot 6\text{H}_2\text{O}$ residual	< 5% (practical); 8%

Table 3B.

Typical crystals composition main constituents obtained at pilot scale and feeding calcination	
Component	Weight distribution (%)
AlCl ₃ · 6H ₂ O	99.978
BaCl ₂ · 2H ₂ O	0.0000
CaCl ₂ · 6H ₂ O	0.0009
CrCl ₄	0.0022
CuCl ₂ · 2H ₂ O	0.0000
FeCl ₃ · 6H ₂ O	0.0019
KCl	0.0063
MgCl ₂ · 6H ₂ O	0.0093
MnCl ₂ · 4H ₂ O	0.0011
NaCl	0.0021
SiCl ₄	0.0004
SrCl ₂ · 6H ₂ O	0.0000
TiCl ₄	0.0001
VCl ₄	0.0000
Free Cl ⁻	0.0000

Calcination and hydrothermal acid recovery

[00339] The calcination 106 comprises the use of a two-stage circulating fluid bed (CFB) with preheating systems. The preheating system can comprise a plasma torch to heat up steam to process. It processes crystals in the decomposition/calcination stage. The majority of the hydrochloric acid was released in the first stage which was operated at a temperature of about 350°C, while the second stage performs the calcination itself. Acid from both stages (about 66 to about 68% of the recovered acid from the processes) was then recovered and sent to either to the acid leaching 102 or to the acid purification 107. In the second reactor, which was operated at a temperature of about 930°C, acid was recovered through the condensation and absorption into two columns using mainly wash water from the acid leaching sector 102. Latent heat from this sector was recovered at the same time as large amounts of water, which limits net water input.

[00340] In the iron oxides productions and acid recovery 105 system, which comprises, aqueous solution from the crystallization 104 first undergoes a pre-concentration stage followed by processing in the hydrolyzer reactor. Here, hematite was produced during low temperature processing (about 165°C). A recirculation loop was then taken from the

hydrolyzer and is recirculated to the pre-concentrator, allowing the concentration of REE, Mg, K, and other elements. This recirculation loop, allows rare earth element chlorides and/or rare metal chlorides and various metal chlorides concentration to increase without having these products precipitating with hematite up to a certain extent.

[00341] Depending on acid balance in the plant, recovered acid is sent either directly to the 102 or 107 stage. Table 4 shows results obtained in stage 105.

Table 4.

Hydrothermal acid recovery	
Flowrate from crystallization to HARP	592 m ³ /h (design) 600 m ³ /h (design)
Operating hydrolyser temperature	155-170°C
Regenerated acid concentration	27.4%
Regenerated acid flowrate	205.2 tph HCl
Hematite total production rate	24 TPH (design)
HCl recovery	> 99.8%
Reflux (recirculation loop) rate in between hydrolyzer and pre-concentrator	56 tph
Rare earth element chlorides and/or rare metal chlorides rate in recirculation loop	≈ 12.8 t/h

Hematite quality obtained and/or projected	
Fe ₂ O ₃ purity	> 99.5%
Hydrolysable chlorides	< 0.2%
Moisture	Max 20% after filtration
PSD	25-35 microns
Density (bulk)	2-3 kg/l

Typical chemical reaction in stage 105
$2\text{FeCl}_3 + 3\text{H}_2\text{O} \rightarrow \text{Fe}_2\text{O}_3 + 6\text{HCl}$ 155-170°C

[00342] Table 5 shows results obtained in stage 106.

Table 5.

Calcination Plant 106	
Process characteristics:	<ul style="list-style-type: none"> • Two-stage circulating fluid bed (CFB) with pre-heating system • Two-stage hydrochloric acid regeneration
Production rate (practical)	About 66 tph
CFB feed rate	371 tph @ 2-3% humidity*

Typical chemical reaction occurring
$2(\text{AlCl}_3 \cdot 6 \text{H}_2\text{O}) + \text{Energy} \rightarrow \text{Al}_2\text{O}_3 + 6 \text{HCl} + 9\text{H}_2\text{O}$

Typical alumina chemical composition obtained from aluminum chloride hexahydrate crystals being fed to calcination	
Component	Weight distribution (%)
Al ₂ O ₃	99.938
Fe ₂ O ₃	0.0033
SiO ₂	0.0032
Cr ₂ O ₃	0.0063
V ₂ O ₅	0.0077
Na	0.0190
MgO	0.0090
P ₂ O ₅	0.0039
K	0.0053
Ca	0.0020
MnO	0.0002
Free Cl ⁻	Undetectable

Rare earth elements and rare metals extractions

[00343] The stream that was taken out of 105 recirculation then was treated for rare earth elements and rare metals extraction 108, in which the reduction of the remaining iron back to iron 2 (Fe²⁺), followed by a series of solvent extraction stages, was performed. The reactants were oxalic acid, NaOH, DEHPA (Di-(2-ethylhexyl)phosphoric acid) and TBP (tri-n-butyl phosphate) organic solution, kerosene, and HCl were used to convert rare earth element chlorides and rare metals chlorides to hydroxides. Countercurrent organic solvent with stripping of solution using HCl before proceeding to specific calcination from the rare

earth elements and rare metals in form of hydroxide and conversion to high purity individual oxides. A ion exchange technique is also capable of achieving same results as polytrimethylen terephthalate (PET) membrane.

[00344] Iron powder from 105, or scrap metal as FeO, can be used at a rate dependent on Fe³⁺ concentration in the mother liquor. HCl (100% wt) at the rate of 1 tph can be required as the stripped solution in REE Solvent Extraction (SX) separation and re-leaching of rare earth elements and/or rare metals oxalates.

[00345] Water of very high quality, demineralized or nano, at the rate of 100 tph was added to the strip solution and washing of precipitates.

[00346] Oxalic acid as di-hydrate at a rate of 0.2 tph was added and contributes to the rare earth elements and rare metals oxalates precipitation. NaOH or MgOH at a rate of 0.5 tph can be used as a neutralization agent.

[00347] DEHPA SX organic solution at the rate of 500 g/h was used as active reagent in rare earth elements separation while TBP SX organic solution at the rate of 5 kg/h is used as the active reagent for gallium recovery and yttrium separation. Finally, a kerosene diluent was used at the rate of approximately 2 kg/h in all SX section. Calcination occurs in an electric rotary furnace via indirect heating to convert contents to REE₂O₃ (oxides form) and maintain product purity.

[00348] Results of various tests made regarding stage 108 are shown in Table 6.

Table 6.

One line divided in subsections (5) to isolate the following elements using solvent extraction:

- Ga_2O_3
- Y_2O_3
- Sc_2O_3
- $\text{Eu}_2\text{O}_3 + \text{Er}_2\text{O}_3 + \text{Dy}_2\text{O}_3$
- $\text{Ce}_2\text{O}_3 + \text{Nd}_2\text{O}_3 + \text{Pr}_2\text{O}_3$

Equivalent output earths oxides		166.14 kg/h
Projected production as per pilot testing results		
Feed	Incoming (kg/h)	Final extraction individual (kg/h)
Ga_2O_3	15.66	11.98
Sc_2O_3	9.06	8.11
Y_2O_3	22.56	20.22
La_2O_3	32.24	25.67
Ce_2O_3	61.37	51.82
Pr_2O_3	8.08	6.18
Nd_2O_3	30.3	27.24
Sm_2O_3	5.7	4.51
Eu_2O_3	1.06	0.95
Gd_2O_3	4.5	4.06
Dy_2O_3	3.9	3.55
Er_2O_3	2.1	1.86
Total	196.55	166.14

Global yield : 84.53%

[00349] Alternatively, stage 108 can be carried out as described in WO/2012/126092 and/or WO/2012/149642, that are hereby incorporated by reference in their entirety.

[00350] The solution after stages 108 and 109 contained mainly MgCl_2 , NaCl , KCl , CaCl_2 , $\text{FeCl}_2/\text{FeCl}_3$, and AlCl_3 (traces), and then undergoes the 111 stage. Na, K, Ca that follows the MgO can be extracted in stage 110 by crystallization in a specific order; Na first,

followed by K, and then Ca. This technique can be employed for example in the Israeli Dead Sea salt processing plant to produce MgO and remove alkali from the raw material.

HCl regeneration

[00351] Alkali (Na, K), once crystallized, was sent and processed in the alkali hydrochloric acid regeneration plant 110 for recovering highly concentrated hydrochloric acid (HCl). The process chosen for the conversion can generate value-added products

[00352] Various options are available to convert NaCl and KCl with intent of recovering HCl. One example can be to contact them with highly concentrated sulfuric acid (H_2SO_4), which generates sodium sulphate (Na_2SO_4) and potassium sulfate (K_2SO_4), respectively, and regenerates HCl at a concentration above 90% wt. Another example, is the use of a sodium and potassium chloride brine solution as the feed material to adapted small chlor-alkali electrolysis cells. In this latter case, common bases (NaOH and KOH) and bleach (NaOCl and KOCl) are produced. The electrolysis of both NaCl and KCl brine is done in different cells where the current is adjusted to meet the required chemical reaction. In both cases, it is a two-step process in which the brine is submitted to high current and base (NaOH or KOH) is produced with chlorine (Cl_2) and hydrogen (H_2). H_2 and Cl_2 are then submitted to a common flame where highly concentrated acid in gas (100% wt.) phase is produced and can be used directly in the crystallization stage 104, or to crystallization stages requiring dry highly concentrated acid.

Magnesium oxide

[00353] The reduced flow, which was substantially free of most elements (for example $AlCl_3$, $FeCl_3$, REE-Cl, NaCl, KCl) and rich in $MgCl_2$, was then submitted to the magnesium oxides plant 111. In the MgO, pyrohydrolysis of $MgCl_2$ and any other leftover impurities were converted into oxide while regenerating acid. The first step was a pre-evaporator/crystallizer stage in which calcium is removed and converted into gypsum ($CaSO_4 \cdot 2H_2O$) by a simple chemical reaction with sulfuric acid, for which separation of MgO is required. This increases the capacity of MgO roasting and also energy consumption slightly, while substantially recovering HCl. The next step was the specific pyrohydrolysis of MgO concentrated solution by spray roasting. Two (2) main products were generated; MgO that was further treated and HCl (about 18% wt.), which was either recycled back to the upstream leaching stage 102 or to the hydrochloric acid purification plant (107) The MgO-

product derived from the spray roaster can require further washing, purification, and finally calcining depending on the quality targeted. The purification and calcining can comprise a washing-hydration step and standard calcining step.

[00354] The MgO from the spray roaster is highly chemically active and was directly charged into a water tank where it reacts with water to form magnesium hydroxide, which has poor solubility in water. The remaining traces of chlorides, like MgCl₂, NaCl, dissolved in water. The Mg(OH)₂ suspension, after settling in a thickener, was forwarded to vacuum drum filters, which remove the remaining water. The cleaned Mg(OH)₂ is then forwarded into a calcination reactor where it is exposed to high temperatures in a vertical multi-stage furnace. Water from hydration is released and allows the transformation of the Mg(OH)₂ to MgO and water. At this point, the magnesium oxide was of high purity (> 99%).

HCl purification

[00355] The hydrochloric acid purification stage 107 is effective for purifying HCl regenerated from different sectors (for example 105, 106, 111) and to increase its purity for crystallization, whereas dry highly concentrated acid (> 90% wt.) can be used as the sparging agent. Stage 107 also allowed for controlling the concentration of the acid going back to stage 102 (about 22 to about 32% wt.) and allows total acid and water balance. Total plant water balance is performed mainly by reusing wash water as absorption medium, as quench agent or as dissolution medium at the crystallization stages.

For example, HCl purification can be carried out as shown in Figs. 4 and 5.

[00356] For example, purification can be carried out by means of a membrane distillation process. The membrane distillation process applied here occurs when two aqueous liquids with different temperatures are separated through a hydrophobic membrane. The driving force of the process was supplied by the partial pressure vapour difference caused by the temperature gradient between these solutions. Vapour travels from the warm to the cold side. Without wishing to be bound to such a theory, the separation mechanism was based on the vapour/liquid equilibrium of the HCl/water liquid mixture. Practical application of such a technology has been applied to HCl/water, H₂SO₄/water systems and also on large commercial scales on aqueous solution of sodium chloride with the purpose of obtaining potable water from seawater and nano water production. Therefore membrane distillation was a separation process based on evaporation through a porous hydrophobic membrane.

The process was performed at about 60°C and was effective to recover heat from the 104 and 102 stage with an internal water circulation loop, in order to maintain a constant incoming temperature to the membranes. For example, eight membranes of 300,000 m² equivalent surface area can be used per membrane to obtain a concentration of HCl well above the azeotropic point (i.e. > 36%) of the ≈ 750 m³/h and final 90% concentration is then obtained through pressure distillation (rectification column).

[00357] Purification of HCl by processing thus regenerated acid through hydrophobic membrane and separating water from HCl; therefore increasing HCl concentration up to about 36% (above azeotropic point) and therefore allowing with a single stage of rectification through a pressure stripping column to obtain >90% in gaseous phase, for crystallization stage (sparging); and therefore controlling acid concentration into crystallization stages up to 30-35 %_(aq).

[00358] As indicated stage 107 was operated at about 60°C and heat input provided by heat recovery from stages 102 to 110. Rectification column was operated at about 140°C in the reboiler part. Net energy requirement was neutral (negative in fact at -3.5 GJ/t Al₂O₃) since both systems were in equilibrium and in balance.

[00359] For example, the acid purification can be carried out by using adsorption technology over an activated alumina bed. In continuous mode, at least two adsorption columns are required to achieve either adsorption in one of them and regeneration in the other one. Regeneration can be performed by feeding in counter-current a hot or depressurized gas. This technology will result in a purified gas at 100% wt.

[00360] For example, the acid purification can be made by using calcium chloride as entrainer of water. A lean hydrochloric acid solution is contacted with a strong calcium chloride solution through a column. The water is then removed from the hydrochloric acid solution and 99.9% gaseous HCl comes out of the process. Cooling water and cryogenic coolant is used to condense water traces in the HCl. The weak CaCl₂ solution is concentrated by an evaporator that ensures the recuperation of calcium chloride. Depending on the impurities in the incoming HCl solution feed to the column, some metals can contaminate the calcium chloride concentrated solution. A precipitation with Ca(OH)₂ and a filtration allows the removal of those impurities. The column can operate for example at 0.5 barg. This technology can allow for the recuperation of 98% of the HCl.

Table 7 shows the results obtained concerning the process shown in Fig. 6.

Composition (% wt)	Stage 101 Yield (%)	Stage 102 Yield (%)	Stage 106 Yield (%)	Stage 105 Yield (%)	MgO tpy	Stage 107 Yield (%)	Stage 108 Yield (%)	TOTAL PRODUCED Yield (%)
Main constituents								
SiO ₂	---	99.997%	---	---	---	---	---	99.997%
Al	---	98.02%	95.03%	---	---	---	---	95.03%
Fe	---	100.00%	---	92.65%	---	---	---	92.65%
Mg	---	99.998%	---	---	29,756	---	---	92.64%
Ca	---	99.998%	---	---	---	---	---	98.28%
Na	---	99.998%	---	---	---	---	---	92.76%
K	---	100.00%	---	---	---	---	---	93.97%
Others incl. H ₂ O	---	99.80%	---	92.32%	---	---	---	---
RE/RM	---	---	---	---	---	---	84.67%	84.67%
By-Products								
NaOH	---	---	---	---	68,556	---	---	---
NaOCl	---	---	---	---	9,269	---	---	---
KOH	---	---	---	---	73,211	---	---	---
KOCl	---	---	---	---	9,586	---	---	---
CaSO ₄	---	---	---	---	46,837	---	---	---
Reactants								
H ₂ SO ₄ (*)	---	---	---	---	19,204	---	---	---
Fresh HCl M-UP	---	---	---	---	---	99.75%	---	99.75%
Total	---	98.55%	95.03%	---	256,419	99.75%	84.67%	---

[00361] Tables 8 to 26 show results obtained concerning the products made in accordance with the process shown in Fig. 6 in comparison with standard of the industry.

Table 8.

Chemical composition of obtained alumina		
Element	% Weight*	Standard used in industry
Al ₂ O ₃	99.938	98.35 min
Fe ₂ O ₃	0.0033	0.0100
SiO ₂	0.0032	0.0150
TiO ₂	0.0003	0.0030
V ₂ O ₅	0.0008	0.0020
ZnO	0.0005	0.0030
Cr ₂ O ₃	0.0003	N/A
MgO	0.0090	N/A
MnO	0.0002	N/A
P ₂ O ₅	0.0039	0.0010
Cu	0.0030	N/A
Ca	0.0020	0.0030
Na	0.0190	0.4000
K	0.0053	0.0150
Li	0.0009	N/A
Ba	< 0.00001	0.0000
Th	< 0.000001	0.0000
U	< 0.000001	0.0000
Free Cl ⁻	Not detectable	0.0000
LOI	< 1.0000	< 1.0000

[00362] P₂O₅ removal technique can include, for example, after leaching, phosphorous precipitation using zirconium sulphate. It can be provided, for example, in a solution heated at 80 to about 90 °C or about 85 to about 95 °C, under vacuum.

Table 9.

Physical properties of obtained alumina		
Property	Orbite Alumina	Standard used in industry
PSD < 20 μ m	5-10%	N/A
PSD < 45 μ m	10-12%	< 10%
PSD > 75 μ m	50-60%	N/A
SSA (m ² /g)	60-85	60-80
Att. Index	10-12%	< 10%
α Al ₂ O ₃	2-5%	< 7-9%

Table 10.

Chemical composition of obtained hematite	
Element	% Weight
Fe ₂ O ₃	> 99.5%
Hydrolysable elements	< 0.2%

Table 11.

Physical properties of obtained hematite*	
Property	Orbite hematite
PSD _{mean}	25-35 μ m
Density (bulk)	2000-3000 kg/m ³
Humidity after filtration	< 10%

* Material can be produced as bricks

Table 12.

Chemical composition of obtained silica	
Element	% Weight
SiO ₂	> 99.7
Al ₂ O ₃	< 0.25%
MgO	≈ 0.1%
Fe ₂ O ₃	≈ 0.1%
CaO	≈ 0.01%
Na ₂ O	< 0.1%
K ₂ O	< 0.1%

Note: Product may have unbleached cellulose fiber filter aid. Cellulose wood flour.

Table 13.

Physical properties of obtained silica	
Property	Orbite silica
PSD _{mean}	10-20 μm
Specific surface area	34 m^2/g
Density (bulk)	2000-2500 kg/m^3
Humidity after filtration	< 30%

Table 14.

Purity of obtained rare earth element oxides	
Element	Purity (%)
Ga ₂ O ₃	> 99%
Sc ₂ O ₃	
Y ₂ O ₃	
La ₂ O ₃	
Ce ₂ O ₃	
Pr ₂ O ₃	
Nd ₂ O ₃	
Sm ₂ O ₃	
Eu ₂ O ₃	
Gd ₂ O ₃	
Dy ₂ O ₃	
Er ₂ O ₃	
Physical properties of obtained REE-O/RM-O	
Property	Orbite REE-O/RM-O
PSD _{mean}	2-30 μm
Density	5500-13000 kg/m^3
LOI	< 1%

Table 15.

Chemical composition of obtained MgO		
Element	Typical	Specification
MgO	99.0 ⁺	98.35min
CaO	0.0020	0.83
SiO ₂	0.0000	0.20 max
B ₂ O ₃	0.0000	0.02 max
Al ₂ O ₃	0.0300	0.12 max
Fe ₂ O ₃	0.0160	0.57 max
MnO ₂	< 0.14	0.14 max
LOI	0.7%	< 1%

Table 16.

Physical properties of obtained MgO	
Property	Orbite MgO
PSD _{mean}	10 µm
Density	N/A
LOI	650 kg/m ³

Table 17.

Chemical composition of obtained NaOH	
Element	% Weight
Sodium hydroxide	32%
Water	68%

Table 18.

Physical properties of obtained NaOH	
Property	Sodium hydroxide (NaOH)
Physical state	Liquid
Vapour pressure	14 mmHg
Viscosity	> 1
Boiling point	100°C
Melting point	0°C
Specific gravity	1.0

Table 19.

Chemical composition of obtained sodium hypochlorite (bleach)	
Element	% Weight
Sodium hypochlorite	12%
Sodium hydroxide	< 1%
Water	> 80%

Table 20.

Physical properties of obtained NaOCl	
Property	Sodium hypochlorite (NaOCl)
Physical state	Liquid
Vapour pressure	1.6 kPa
Viscosity	N/A
Boiling point	100 °C
Melting point	-3 °C
Specific gravity	1.2

Table 21.

Chemical composition of obtained potassium hydroxide	
Element	% Weight
Potassium hydroxide	32%
Water	68%

Table 22.

Physical properties of obtained potassium hydroxide	
Property	KOH
Physical state	Liquid
Vapour pressure	17.5 mmHg
Viscosity	N/A
Boiling point	100 °C
Melting point	N/A
Specific gravity	1.18

Table 23.

Chemical composition of obtained potassium hypochlorite (KOCl)	
Element	% Weight
Potassium hypochlorite	12%
Potassium hydroxide	< 1%
Water	> 80%

Table 24.

Physical properties of obtained potassium hypochlorite	
Property	KOCl
Physical state	Liquid
Vapour pressure	N/A
Viscosity	N/A
Boiling point	103 °C
Melting point	N/A
Specific gravity	> 1.0

Table 25.

Chemical composition of obtained calcium sulphate dihydrate	
Element	% Weight
Calcium sulphate dihydrate	100%

Table 26.

Physical properties of obtained calcium sulphate dehydrate	
Property	Orbite $\text{CaSO}_4 \cdot 2\text{H}_2\text{O}$
Physical state	Solid
Specific gravity	2.32

[00363] In order to demonstrate the versatility of the processes of the present disclosure, several other tests have been made so as to shown that these processes can be applied to various sources of starting material.

Example 6

[00364] Another starting material has been used for preparing acidic compositions comprising various components. In fact, a material that is a concentrate of rare earth elements and rare metals (particularly rich in zirconium) has been tested. Table 27 shows the results carried out on such a starting material using a similar process as shown in Figs. 1, 3, 6, 7, 13 and 14 and as detailed in Examples 1, 2 and 5. It can thus be inferred from the results shown in Table 27 that the various components present in the leaching (various metals such as aluminum, iron, magnesium as well as rare earth elements and rare metals) can be extracted from the obtained leaching composition and that they can eventually be isolated by the processes of the present disclosure such as, for example, those presented in Examples 1, 2 and 5.

Example 7

[00365] Other tests have been made in a similar manner as described in Example 6. In the present example, carbonatite has been used as a starting material. (see Table 28 below).

Table 27. Tests made on a zirconium rich material.

Raw material	Composition measure and/or evaluated (% wt.)	Average measured for testing (% wt.)	Extraction rate measured (ALP) (%)	O All Orbite process recovery (%)
Al ₂ O ₃	6.12	6.12	89.65	86.97
Fe ₂ O ₃	15.80	15.80	99.50	97.51
SiO ₂	36.00	36.00	0.000	99.997
MgO	3.08	3.08	99.75	92.66
Na ₂ O	1.13	1.13	99.50	99.50
K ₂ O	2.12	2.12	99.50	99.50
CaO	6.10	6.10	99.50	99.00
S total	0.22	0.22		100.00
F	1.98	1.98	99.50	99.00
TiO ₂	0.13	0.13	0.000	99.03
V ₂ O ₅	0.00	0.00	98.00	96.04
P ₂ O ₅	1.10	1.10	98.00	96.04
MnO	0.43	0.43	98.00	96.04
ZrO ₂	12.43	12.43	22.70	20.43
Cr ₂ O ₃	0.00	0.00	0.00	0.00
Ce ₂ O ₃	3.05	3.045	97.31	92.98
La ₂ O ₃	1.34	1.337	99.55	92.68
Nd ₂ O ₃	1.55	1.551	98.40	94.79
Pr ₂ O ₃	0.37	0.375	99.75	97.52
Sm ₂ O ₃	0.15	0.151	88.75	84.80
Dy ₂ O ₃	0.09	0.089	80.35	76.77
Er ₂ O ₃	0.03	0.030	72.60	69.37
Eu ₂ O ₃	0.03	0.027	85.57	81.76
Gd ₂ O ₃	0.21	0.205	82.85	79.16
Ho ₂ O ₃	0.01	0.013	77.10	73.67
Lu ₂ O ₃	0.00	0.003	60.15	57.47
Tb ₂ O ₃	0.02	0.022	78.05	74.58
Th	0.02	0.022	88.10	84.18
Tm ₂ O ₃	0.00	0.004	66.85	63.88
U	0.01	0.014	81.90	78.26
Y ₂ O ₃	0.30	0.300	72.70	69.46
Yb ₂ O ₃	0.02	0.023	62.80	60.01
Ga ₂ O ₃	0.02	0.016	96.90	92.59
Sc ₂ O ₃	0.00	0.003	95.00	90.77
LOI (inc. water)	6.122023973	6.12		

Table 28. Tests made on carbonatite

Raw material	Composition measure and/or evaluated (% wt.)	Average measured for testing (% wt.)	Extraction rate measured (ALP) (%)	O All Orbite process recovery (%)
Al ₂ O ₃	0.70	0.70	84.31	81.61
Fe ₂ O ₃	11.22	11.22	94.14	92.15
SiO ₂	2.11	2.11	0.00003	99.997
MgO	6.50	6.500	100	96.25
Na ₂ O	0.07	0.07	92.54	90.55
K ₂ O	0.18	0.181	37.33	37.33
CaO	16.51	16.51	100	98.00
TiO ₂	0.00	0.000	0.00000	100.000
V ₂ O ₅	0.00	0.000	0	100.000
P ₂ O ₅	0.00	0.000	0	100.000
MnO	0.00	0.000	0	100.000
ZrO ₂	0.00	0.000	0	100.000
Cr ₂ O ₃	0.00	0.000	0	100.000
Ce ₂ O ₃	1.19	1.195	64.04	61.190
La ₂ O ₃	0.46	0.463	63.86	61.018
Nd ₂ O ₃	0.45	0.448	81.46	77.835
Pr ₂ O ₃	0.14	0.142	67.59	64.582
Sm ₂ O ₃	0.03	0.033	65.32	62.413
Dy ₂ O ₃	0.00	0.000	78.12	74.644
Er ₂ O ₃	0.00	0.000	86.15	82.316
Eu ₂ O ₃	0.01	0.007	66.45	63.493
Gd ₂ O ₃	0.01	0.013	54.46	52.037
Ho ₂ O ₃	0.00	0.000	83.12	79.421
Lu ₂ O ₃	0.00	0.000	88.86	84.906
Tb ₂ O ₃	0.00	0.001	41.42	39.577
Th	0.06	0.065		
Tm ₂ O ₃	0.00	0.000	90.70	86.664
U	0.01	0.007		
Y ₂ O ₃	0.00	0.000	84.68	80.912
Yb ₂ O ₃	0.00	0.000	85.11	81.323
Ga ₂ O ₃	0.00	0.000	0	0.000
Sc ₂ O ₃	0.00	0.000	0	0.000
LOI (inc. water)		60.33		

[00366] It can thus be inferred from the results shown in Table 28 that the various metals, rare earth elements and rare metals extracted present in the obtained leaching composition can eventually be isolated by the processes of the present disclosure such as, for example, those presented in Examples 1, 2 and 5.

[00367] The process shown in Fig. 8 is similar to the process of Fig. 1, with the exception that in Fig. 8, the term "aluminum" is replaced by a "first metal". The person skilled in the art would thus understand that in accordance with the present disclosure, the processes can also encompass recovering various other products and using various types of material as starting material. The first metal can be chosen from Al, Fe, Ti, Zn, Ni, Co, Mg, Li, Mn, Cu, Au, Ag, Pd, Pt. and mixtures thereof etc. Such a process can thus be used for recovering various other metals than aluminum. Thus, the first metal will be precipitated as a chloride in stage 5 and eventually converted into an oxide.

[00368] In fact, the person skilled in the art would understand that by replacing in Figs. 1, 3, 6 and 7 the term "aluminum" with the expression "first metal" the processes shown in these figures can be used to obtain various other products than alumina and also used for treating various different starting material. Thus, the first metal can be recovered as a chloride (as it is the case for aluminum chlorides in the processes of Figs. 1, 3, 6, 7, 13 and 14) and all the other stages of these processes can thus be carried out (when applicable) depending on the nature of the starting material used.

[00369] In step 4, the first metal chloride can be precipitated or crystallized. In fact, the first metal can be removed from the leachate in various manner. For example, a precipitating agent can be added or HCl (for example gaseous) can be reacted with the liquid obtained from step 3 so as to cause precipitation and/or crystallization of the first metal chloride. Alternatively, the temperature of the leachate can be controlled so as to substantially selectively cause precipitation of the first metal chloride.

[00370] As previously indicated, the processes of the present disclosure can be efficient for treating material comprising Al, Fe, Ti, Zn, Ni, Co, Mg, Li, Mn, Cu, Au, Ag, Pd, Pt.

[00371] For example, when treating a material that comprises, for example, Mg and Fe, the material can be leached for example by using HCl. Then, while the mixture (comprising a solid and a liquid) so obtained is still hot, it can be treated so as to separate the solid from the liquid (for example by means of a solid/liquid separation). That will be effective for removing solids such as Si and optionally others such as Ti. Thus, the liquid can be cooled down to a temperature of about 5 to about 70 °C, about 10 to about 60 °C, about 10 to about 50 °C, about 10 to about 40 °C, or about 15 to about 30 °C so as to substantially selectively precipitate or crystallize magnesium (for example as MgCl₂ (first metal chloride in Fig. 8)), as shown in 4 of such a figure.. Then, the first metal chloride can be converted as shown in 5 so as to obtain the first metal oxide. The iron can then be treated as in 6 of Fig. 8. The remainder of the process shown in Fig. 8 (stages 6 to 10) being as described previously for Fig. 1.

[00372] Other examples of processes for treating material comprising magnesium and iron can be as shown in Figs. 13 and 14. The processes of Figs. 13 and 14 are similar to the processes of Figs. 1 and 3, respectively. The main differences reside in steps 20 and 21 of Figs. 13 and 14.

[00373] In these two examples of Figs. 13 and 14 aluminum is also treated. In fact, as it can be seen in stages 20 and 21 of Figs. 13 and 14, Mg, Fe and Al, the material can be leached for example by using HCl. Then, while the mixture (comprising a solid and a liquid) so obtained is still hot, it can be treated so as to separate the solid from the liquid (for example by means of a solid/liquid separation (see stage 3)). That will be effective for removing solids such as Si and optionally others such as Ti. Thus, the liquid can be cooled down to a temperature of about 5 to about 70 °C, about 10 to about 60 °C, about 10 to about 50 °C, about 10 to about 40 °C, or about 15 to about 30 °C so as to substantially selectively precipitate or crystallize magnesium (for example as MgCl₂ (see stage 20 in Figs. 13 and 14)). Then, magnesium chloride can be converted into magnesium oxide as shown in 21 of Figs. 13 and 14. HCl can then be recovered and treated as previously indicated. The remainder of the process shown in Fig. 13 (stages 4 to 10) are as described previously for Fig. 1 and the remainder of the process shown in Fig. 14 (stages 4 to 10) are as described previously for Fig. 3.

[00374] As previously indicated, magnesium can be firstly removed from the leachate and then aluminum can be removed as shown in Figs. 13 and 14. Alternatively, aluminum can be firstly removed from the leachate and then magnesium can be removed. In such a case, steps 20 and 21 of Figs. 13 and 14 would be disposed between steps 4 and 6.

[00375] As another example, a mixture Ni/Co of a low concentration in the feed (0.5 – 2.0% wt) can be leached with HCl according to Fig. 9. For example, leaching can be carried out by using HCl having a concentration of about 18 to about 32 wt % in a first reactor then, by using HCl having concentration of about 90 to about 95 % (gaseous) in a second reactor; and by optionally using HCl having concentration of about 90 to about 95 % (gaseous) in an optional third reactor. Then selective crystallization with HCl bubbling, solubility of chlorides (cobalt chloride vs nickel chloride) is distinct based on HCl concentration. Hexahydrate chloride can then be processed (produced) and fed for example to standard spray roaster 600-640°C or fluid bed in view of producing oxides. HCl can therefore be regenerated, sent to closed loop acid purification where it is dried. Excess HCl can also be absorbed at its isotropic point and be used to solvent extraction or leaching. For example, nickel or cobalt chloride can thus replace aluminum chloride in Figs. 1, 3, 6, 7, 13 and 14. After the leaching, shown in Fig. 9, the leachate can thus be treated as the leachate described in the processes described in the present disclosure and those of

Figs. 1, 3, 6, 7, 13 and 14, with the exception that instead of aluminum chloride, nickel chloride or cobalt chloride will be treated.

[00376] A similar approach can be adopted when using a starting material that contains Mg and Li. Leaching can be carried out as shown in Fig. 9 and selective precipitation of LiCl over MgCl₂ or selective precipitation of MgCl₂ over LiCl by injecting HCl (for example gaseous HCl) can be done. Na can be removed by crystallisation first. K can then be removed by crystallisation. Moreover, for further purification, LiCl and MgCl₂ can be separated by difference of solubility and/or crystallization in water.

[00377] For example, platinum and palladium can also be treated similarly. Moreover, their separation can also be accomplished with ion exchange: selective crystallization in HCl is possible and can be temperature sensitive.

[00378] Figs. 10A and 10B show methods for separating Si from Ti. For example, when using an ore as starting material, leaching can be carried out in the presence of Cl₂ (optionally in the presence of carbon) so as to maintain Ti under the form of TiCl₄ since it remains in solution (fluid) while Si remains solid (SiO₂). Then, Ti (such as TiCl₄) can be heated so as to be converted into TiO₂. For example, it can be injected into a plasma torch for being purified.

[00379] Such a method for purifying Si and Ti can be used in all the processes of the present disclosure when there is a need for separating these two entities. See stage 13 in Figs. 1, 3, 6, 7, 13 and 14 and stage 113 in Fig. 7.

[00380] The processes shown in Figs. 11A, 11B, 12A and 12B are processes that can be useful for treating various materials that comprise, for example, Mg and other metals such as Ni and/or Co. These materials can also comprise other metals such as aluminum, iron etc. The processes of Figs. 11A, 11B, 12A and 12B are similar, with the exception that magnesium remains in solution after step 204 in Fig. 11A, while magnesium is precipitated after step 304 in Fig. 12A.

[00381] Certain steps carried out in the processes of Figs. 11A, 11B, 12A and 12 are similar to the steps of other processes described in the present disclosure.

[00382] For example, steps 201 and 301 are similar to step 101 of Figs. 6 and 7. Moreover, steps 202 and 302 of Figs. 11 and 12 are similar to step 102 of Figs. 6 and 7.

[00383] Steps 203 and 303 of Figs. 11 and 12 are similar to step 103 of Figs. 6 and 7.

[00384] Steps 213 and 313 of Figs. 11 and 12 are similar to step 113 of Fig. 7. With respect to steps 214 and 314, TiO_2 can eventually be purified by means of a plasma torch.

[00385] Eventually, $\text{CaSO}_4 \cdot 2\text{H}_2\text{O}$ (gypsum) can be produced as detailed in steps 223 and 323. Finally, pursuant to steps 224, 324, 225 and 325 Na_2SO_4 and K_2SO_4 can be produced.

[00386] With respects to steps 213 and 313, TiO_2 can be converted into TiCl_2 and/or TiCl_4 so as to solubilize the titanium. For example, this can be done by reacting TiO_2 optionally with Cl_2 and carbon (C) (see Figs. 10A and 10B). Therefore, SiO_2 and titanium can be separated from one another since SiO_2 remains solid while titanium will be solubilized. For example, steps 213, 313, 214 and 314 can be carried out as detailed in Fig. 10.

[00387] Such processes are also efficient for achieving whole recovery of HCl.

[00388] Pursuant to Ni and/or Co precipitation (steps 212 and 312) LiOH can be precipitated and eventually washed in steps 208 and 308. Then, a further leaching can be carried out in steps 209 and 309 so as to extract further metals. For example, if the starting material to be used in the processes of Figs. 11 and 12 contains aluminum, steps 210 and 310 can be carried out so as to precipitate AlCl_3 . Such a step (210 or 310) is similar to step 104 carried out in Figs. 6 and 7. In an analogous manner, steps 205 and 305 of Figs. 11 and 12 are similar to step 105 of Figs. 6 and 7. Steps 206 and 306 of Figs. 11 and 12 are similar to step 106 of Figs. 6 and 7. HCl purification carried out in steps 215 and 315 is similar to step 107 carried out in Figs. 6 and 7. As it can be seen in Figs. 216 and 316, HCl is thus regenerated.

[00389] Alternatively, pursuant to step 209, and depending on the composition of the starting material used for the processes of Figs. 11 and 12, steps 210 and 310 can be omitted or bypassed. Therefore, if substantially no aluminum is comprised within the starting material, or if the content in aluminum is considerably low after step 209, step 249 can be carried out. The same also applied to step 309 and 349 of Fig. 12. Then, pursuant to steps 249 and 349 of Figs. 11 and 12 in which a mixture of various metal chlorides are obtained, calcination can be carried out in steps 217 and 317 so as to eventually obtain a mixture of various metal oxides.

[00390] Impurities obtained in steps 210 and 310 can be crystallized in steps 218 and 318. By doing so, NaCl (steps 219 and 319) and KCl (steps 221 and 321) can be crystallized. An electrolysis of NaCl (steps 220 and 320) and KCl (steps 222 and 322) can be carried out as previously indicated in the present disclosure.

Example 8

[00391] Tests have been made for treating a magnesium-containing material as starting material. The magnesium-containing material was serpentine (asbestos) obtained from Black Lake, Quebec, Canada. Tables 29 to 31 below shows results obtained when leaching such a material with HCl. The serpentine ore was leached with a 30 % molar excess of HCl at a temperature of about 150 to about 160 °C.

Table 29. Tests made on serpentine

	Asbestos 1	Asbestos 2	Asbestos 3	Asbestos 4
Mass In	880	800	1000	820
Mass Out	334	250	325	323
% water	35%	45%	45%	45%

		Al	Fe	Na	K	Mg	Ca	Ti	Si	
Asbestos 1	Initial	%	1,38	3,62	0,25	0,34	18,1	0,59	0,03	20,3
	compound	kg	12,144	31,856	2,2	2,992	159,28	5,192	0,264	178,64
	Cake	%	1,87	1,11	0,33	0,3	6,49	0,16	0,01	34,8
		kg	4,05977	2,40981	0,71643	0,6513	14,08979	0,34736	0,02171	75,5508
	Yield recovery	%	67%	92%	67%	78%	91%	93%	92%	58%
Asbestos 2	Initial	%	0,49	3,56	0,05	0,04	23,5	0,13	0,01	16,7
	compound	kg	3,92	28,48	0,24	0,32	188	1,04	0,08	133,6
	Cake	%	0,59	0,47	0,02	0,01	2,88	0,05	0,007	98,2
		kg	0,81125	0,64625	0,0275	0,01375	3,96	0,06875	0,009625	52,525
	Yield recovery	%	79%	98%	89%	96%	98%	93%	88%	61%
Asbestos 3	Initial	%	0,58	4,13	0,16	0,08	22,3	0,23	0,01	17,3
	compound	kg	5,8	41,3	1,6	0,8	223	2,3	0,1	173
	Cake	%	0,06	0,44	0,01	0,01	3,27	0,02	0,01	34,3
		kg	0,10725	0,7865	0,017875	0,017875	5,845125	0,03575	0,017875	61,31125
	Yield recovery	%	98%	98%	99%	98%	97%	98%	82%	65%
Asbestos 4	Initial	%	0,31	5,54	0,01	0,01	22,9	0,03	0,01	15,4
	compound	kg	2,542	45,428	0,082	0,082	187,78	0,246	0,082	126,28
	Cake	%	1,14	0,37	0,41	0,23	2,5	0,2	0,005	37,1
		kg	2,02521	0,657305	0,728365	0,408595	4,44125	0,3553	0,0088825	65,90815
	Yield recovery	%	20%	99%	-788%	-398%	98%	-44%	89%	48%

Table 30. Chemical Composition of Serpentine

Components	Concentration measured and/or evaluated (% wt.)
Al ₂ O ₃	0.59-2.61
Fe ₂ O ₃	5.09-7.92
SiO ₂	32.94-43.43
MgO	30.01-38.97
Na ₂ O	0.04-0.337
K ₂ O	0.012-0.41
CaO	0.04-0.83
TiO ₂	0.017-0.050
V ₂ O ₅	0.00
P ₂ O ₅	0.00
MnO	0.005-0.080
ZrO	0.0000
F	0.00
Co	0.0000
Cr	0.076-0.101
Cd	0.0000
Zn	0.0000
Ni	0.0000
Cu	0.0000
Pb	0.0000
As	0.0000
Ga ₂ O ₃	0.0000
Sc ₂ O ₃	0.0000
Re ₂ O ₃	0.00000
LOI (inc. water)	15.0-20.0

[00392] Table 31. Leaching of Serpentine - Recovery Yields

Components	Leaching extraction rate (%)
Al ₂ O ₃	81.34
Fe ₂ O ₃	96.70
SiO ₂	0.00003
MgO	96.01
Na ₂ O	84.96
K ₂ O	90.57
CaO	95.05
TiO ₂	0.00002
V ₂ O ₅	0.00
P ₂ O ₅	0.00
MnO	0.00
ZrO	0.00
F	0.00
Co	0.00
Cr	0.00
Cd	0.00
Zn	0.00
Ni	0.00
Cu	0.00
Pb	0.00
As	0.00

[00393] The results of Tables 29 to 31 thus show that the processes of Figs. 11 to 14 can be carried out with success.

[00394] It was also observed that when obtaining such a leachate by leaching serpentine with HCl, it was possible to substantially selectively precipitate some metals by controlling certain parameters. In fact, it was found that magnesium chloride has a very low solubility as compared with other chlorides (such as AlCl₃, FeCl₃, CaCl₂, NaCl, KCl, MnCl₂, etc.), for example when the leachate is at a temperature of about 10 to about 60 °C, about 10 to about 40 °C, about 15 to about 30 °C, about 15 to about 25 °C or about 20 °C (see Figs. 16 and 17). Therefore, one possible way among others of removing magnesium chloride in a substantially selective manner was to leach serpentine and remove the unleached solid while the mixture of solid and leachate is still hot. Then, when the solid is removed, the leachate can be cooled down so as to substantially selectively precipitate magnesium chloride.

[00395] Moreover, it was observed, during tests made, that when the leachate has a concentration in HCl of about 16 to about 20 %, about 17 to about 18 %, or about 17.5 % by weight, $MgCl_2$ was selectively precipitated over $FeCl_3$ (see Fig. 15). It was also observed that magnesium chloride can have a low solubility at a temperature of about 15 to about 30 °C, about 15 to about 25 °C or about 20 °C (see Figs. 16 and 17).

[00396] The process shown in Fig. 18 is similar to the process shown in Fig. 1. The main difference resides in the fact that in the process of Fig. 18 comprises stages 25 and 26 instead of stage 5 of Fig. 1. In fact, in Fig. 18, the process comprises, after crystallization of $AlCl_3$, to convert $AlCl_3$ into $Al(OH)_3$ before calcining the latter product into Al_2O_3 . For example conversion of $AlCl_3$ into $Al(OH)_3$ can be carried out by reacting $AlCl_3$ with a base (for example KOH or NaOH). Calcination of $Al(OH)_3$ into Al_2O_3 can be carried out at high temperature such as about 800 to about 1200 °C or about 1000 to about 1200 °C.

[00397] In fact, in the processes and the methods of the present disclosure, calcination of $AlCl_3$ can be replaced by calcination of $Al(OH)_3$, as shown in Fig. 18 (see the differences between the processes of Fig. 1 and Fig. 18). For example, stages 25 and 26 can replace stage 5 of various processes and methods such as shown in Figs. 3, 8, 13 and 14 or stage 106 of Figs. 6 and 7.

[00398] The processes of the present disclosure provide a plurality of important advantages and distinction over the known processes.

[00399] The processes of the present disclosure provide fully continuous and economical solutions that can successfully extract alumina from various type of materials while providing ultra pure secondary products of high added value including highly concentrated rare earth elements and rare metals. The technology described in the present disclosure allows for an innovative amount of total acid recovery and also for a ultra high concentration of recovered acid. When combining it to the fact that combined with a semi-continuous leaching approach that favors very high extraction yields and allows a specific method of crystallization of the aluminum chloride and concentration of other value added elements. These processes also allow for preparing aluminum with such a produced alumina.

[00400] Specifically through the type of equipment used (for example vertical roller mill) and its specific operation, raw material grinding, drying and classifying can be applicable to various kinds of material hardness (furnace slag for example), various types of humidity (up

to 30%) and incoming particle sizes. The particle size established provides the advantage, at the leaching stage, of allowing optimal contact between the minerals and the acid and then allowing faster kinetics of reaction. Particles size employed reduces drastically the abrasion issue and allows for the use of a simplified metallurgy/lining when in contact with hydrochloric acid.

[00401] A further advantage of the processes of the present disclosure is the combined high temperature and high incoming hydrochloric acid concentration. Combined with a semi continuous operation where the free HCl driving force is used systematically, iron and aluminum extraction yields do respectively reach 100% and 98% in less than about 40 % of the reference time of a basic batch process. Another advantage of higher HCl concentration than the concentration at azeotropic point is the potential of capacity increase. Again a higher HCl concentration than the concentration of HCl at the azeotropic point and the semi-continuous approach represent a substantial advance in the art. The same also applies for continuous leaching.

[00402] Another advantage in that technique used for the mother liquor separation from the silica after the leaching stage countercurrent wash, is that band filters provide ultra pure silica with expected purity exceeding 96%.

[00403] The crystallization of AlCl_3 into $\text{AlCl}_3 \cdot 6\text{H}_2\text{O}$ using dried, cleaned and highly concentrated gaseous HCl as the sparging agent allows for a pure aluminum chloride hexahydrate with only few parts per million of iron and other impurities. A minimal number of stages are required to allow proper crystal growth.

[00404] The direct interconnection with the calcination of $\text{AlCl}_3 \cdot 6\text{H}_2\text{O}$ into Al_2O_3 which does produce very high concentration of gas allows the exact adjustment in continuous of the HCl concentration within the crystallizer and thus proper control of the crystal growth and crystallization process.

[00405] The applicants have now discovered fully integrated and continuous processes with substantially total hydrochloric acid recovery for the extraction of alumina and other value added products from various materials that contain aluminum (clay, bauxite, aluminosilicate materials, slag, red mud, fly ashes etc.) containing aluminum. In fact, the processes allows for the production of substantially pure alumina and other value added products purified such as purified silica, pure hematite, pure other minerals (ex: magnesium

oxide) and rare earth elements products. In addition, the processes do not require thermal pre-treatment before the acid leach operation. Acid leach is carried out using semi-continuous techniques with high pressure and temperature conditions and very high regenerated hydrochloric acid concentration. In addition, the processes do not generate any residues not sellable, thus eliminating harmful residues to environment like in the case of alkaline processes.

[00406] The advantage of the high temperature calcination stage, in addition for allowing to control the α -form of alumina required, is effective for providing a concentration of hydrochloric acid in the aqueous form (>38%) that is higher than the concentration of HCl at the azeotropic point and thus providing a higher incoming HCl concentration to the leaching stage. The calcination stage hydrochloric acid network can be interconnected to two (2) crystallization systems and by pressure regulation excess HCl can be being absorbed at the highest possible aqueous concentration. The advantage of having a hexahydrate chloride with low moisture content (< 2%) incoming feed allows for a continuous basis to recover acid at a concentration that is higher than the azeotropic concentration. This HCl balance and double usage into three (3) common parts of the processes and above azeotropic point is a substantial advance in the art.

[00407] Another advantage is the use of the incoming chemistry (ferric chloride) to the iron oxide and hydrochloric acid recovery unit where all excess heat load from any calcination part, pyrohydrolysis and leaching part is being recovered to preconcentrate the mother liquor in metal chloride, thus allowing, at very low temperature, the hydrolysis of the ferric chloride in the form of very pure hematite and the acid regeneration at the same concentration than at its azeotropic point.

[00408] A further major advantage of the instant process at the ferric chloride hydrolysis step is the possibility to concentrate rare earth elements in form of chlorides at very high concentration within the hydrolyser reactor through an internal loop between hydrolyzer and crystallization. The advantage in that the processes of the present disclosure benefit from the various steps where gradual concentration ratios are applied. Thus, at this stage, in addition to an internal concentration loop, having the silica, the aluminum, the iron and having in equilibrium a solution close to saturation (large amount of water evaporated, no presence of free hydrochloric acid) allows for taking rare earth elements and non-hydrolysable elements in parts per million into the incoming feed and to concentrate them in

high percentage directly at the hydrolyser after ferric chloride removal Purification of the specific oxides (RE-O) can then be performed using various techniques when in percentage levels. The advantage is doubled here: concentration at very high level of rare earth elements using integrated process stages and most importantly the approach prevents from having the main stream (very diluted) of spent acid after the leaching step with the risk of contaminating the main aluminum chloride stream and thus affecting yields in Al_2O_3 . Another important improvement of the art is that on top of being fully integrated, selective removal of components allows for the concentration of rare earth elements to relatively high concentration (percentages).

[00409] Another advantage of the process is again a selective crystallization of $MgCl_2$ through the sparging of HCl from either the alumina calcination step or the magnesium oxide direct calcination where in both cases highly concentrated acid both in gaseous phase or in aqueous form are being generated. As previously indicated, $Mg(OH)_2$ can also be obtained. As per aluminum chloride specific crystallization, the direct interconnection with the calcination reactor, the HCl gas very high concentration (about 85 to about 95 %, about 90 to 95 % or about 90 % by weight) allows for exact adjustment in continuous of the crystallizer based on quality of magnesium oxide targeted. Should this process step (MgO production or other value added metal oxide) be required based on incoming process feed chemistry, the rare earth elements extraction point then be done after this additional step; the advantage being the extra concentration effect applied.

[00410] The pyrohydrolysis allows for the final conversion of any remaining chloride and the production of refined oxides that can be used (in case of clay as starting material) as a fertilizer and allowing the processing of large amount of wash water from the processes with the recovery hydrochloric acid in close loop at the azeotropic point for the leaching step. The advantage of this last step is related to the fact that it does totally close the process loop in terms of acid recovery and the insurance that no residues harmful to the environment are being generated while processing any type of raw material, as previously described.

[00411] A major contribution to the art is that the proposed fully integrated processes of the present disclosure is really allowing, among others, the processing of bauxite in an economic way while generating no red mud or harmful residues. In addition to the fact of being applicable to other natural of raw materials (any suitable aluminum-containing

material or aluminous ores), the fact of using hydrochloric acid total recovery and a global concentration that is higher than the concentration at the azeotropic point (for example about 21% to about 38%), the selective extraction of value added secondary products and compliance (while remaining highly competitive on transformation cost) with environmental requirements, represent major advantages in the art.

[00412] It was thus demonstrated that the present disclosure provides fully integrated processes for the preparation of pure aluminum oxide using a hydrochloric acid treatment while producing high purity and high quality products (minerals) and extracting rare earth elements and rare metals.

[00413] With respect to the above-mentioned examples 1 to 5, the person skilled in the art will also understand that depending on the starting material used (for example, clays, argillite, bauxite, kaolin, serpentine, kyanite nepheline, aluminosilicate materials, mudstone, beryl, cryolite, garnet, spinel, niccolite, kamacite, taenite, limonite, garnierite, laterite, pentlandite, smithsonite, warikahnite, sphalerite, chalcopyrite, chalcocite, covellite, bornite, tetrahedrite, malachite, azurite, cuprite, chrysocolla, ecandrewsite, geikielite, pyrophanite, ilmenite, red mud, slag, fly ashes, industrial refractory materials etc.,) some parameters might need to be adjusted consequently. In fact, for example, certain parameters such as reaction time, concentration, temperature may vary in accordance with the reactivity of the selected starting material.

[00414] While a description was made with particular reference to the specific embodiments, it will be understood that numerous modifications thereto will appear to those skilled in the art. Accordingly, the above description and accompanying drawings should be taken as specific examples and not in a limiting sense.

WHAT IS CLAIMED IS:

1. A process for preparing alumina, said process comprising :

leaching an aluminum-containing material with HCl so as to obtain a leachate comprising aluminum ions, magnesium ions and a solid, and separating said solid from said leachate;

substantially selectively precipitating $MgCl_2$ from said leachate under conditions effective for controlling solubility of $MgCl_2$ based on at least one parameter chosen from temperature, acid concentration and chlorides concentration and removing said $MgCl_2$ from said leachate;

reacting said leachate with HCl so as to obtain a liquid and a precipitate comprising said aluminum ions in the form of $AlCl_3$, and separating said precipitate from said liquid;

treating said precipitate under conditions effective for converting $AlCl_3$ into Al_2O_3 and optionally recovering gaseous HCl so-produced; and

treating said $MgCl_2$ under conditions effective for converting it into MgO and optionally recovering gaseous HCl so-produced,

wherein $MgCl_2$ is substantially selectively precipitated from said leachate and removed therefrom and then, said leachate is reacted with HCl so as to obtain said liquid and said precipitate comprising said aluminum ions in the form of $AlCl_3$, and separating said precipitate from said liquid.

2. A process for preparing alumina, said process comprising :

leaching an aluminum-containing material with HCl so as to obtain a leachate comprising aluminum ions, magnesium ions and a solid, and separating said solid from said leachate;

substantially selectively precipitating $MgCl_2$ from said leachate under conditions effective for controlling solubility of $MgCl_2$ based on at least one parameter chosen from temperature, acid concentration and chlorides concentration and removing said $MgCl_2$ from said leachate;

reacting said leachate with HCl so as to obtain a liquid and a precipitate comprising said aluminum ions in the form of $AlCl_3$, and separating said precipitate from said liquid;

treating said precipitate under conditions effective for converting $AlCl_3$ into Al_2O_3 and optionally recovering gaseous HCl so-produced; and

treating said $MgCl_2$ under conditions effective for converting it into MgO and optionally recovering gaseous HCl so-produced,

wherein said aluminum-containing material is leached at a pressure of about 4 to about 10 barg.

3. A process for preparing alumina, said process comprising :

leaching an aluminum-containing material with HCl so as to obtain a leachate comprising aluminum ions, magnesium ions and a solid, and separating said solid from said leachate;

substantially selectively precipitating $MgCl_2$ from said leachate under conditions effective for controlling solubility of $MgCl_2$ based on at least one parameter chosen from temperature, acid concentration and chlorides concentration and removing said $MgCl_2$ from said leachate;

reacting said leachate with HCl so as to obtain a liquid and a precipitate comprising said aluminum ions in the form of $AlCl_3$, and separating said precipitate from said liquid;

optionally reacting said precipitate with a base;

treating said precipitate under conditions effective for converting said precipitate into Al_2O_3 and optionally recovering gaseous HCl so-produced; and

treating said MgCl_2 under conditions effective for converting it into MgO and optionally recovering gaseous HCl so-produced,

wherein MgCl_2 is substantially selectively precipitated from said leachate and removed therefrom and then, said leachate is reacted with HCl so as to obtain said liquid and said precipitate comprising said aluminum ions in the form of AlCl_3 , and separating said precipitate from said liquid.

4. A process for preparing alumina, said process comprising :

leaching an aluminum-containing material with HCl so as to obtain a leachate comprising aluminum ions, magnesium ions and a solid, and separating said solid from said leachate;

substantially selectively precipitating MgCl_2 from said leachate under conditions effective for controlling solubility of MgCl_2 based on at least one parameter chosen from temperature, acid concentration and chlorides concentration and removing said MgCl_2 from said leachate;

reacting said leachate with HCl so as to obtain a liquid and a precipitate comprising said aluminum ions in the form of AlCl_3 , and separating said precipitate from said liquid;

optionally reacting said precipitate with a base;

treating said precipitate under conditions effective for converting said precipitate into Al_2O_3 and optionally recovering gaseous HCl so-produced; and

treating said MgCl_2 under conditions effective for converting it into MgO and optionally recovering gaseous HCl so-produced,

wherein said aluminum-containing material is leached at a pressure of about 4 to about 10 barg.

5. The process of claim 3 or 4, wherein said process is carried out without reacting said precipitate with said base.
6. The process of claim 3 or 4, wherein said process is carried out by reacting said precipitate with said base.
7. The process of claim 6, wherein said precipitate is treated with a base in order to convert AlCl_3 into $\text{Al}(\text{OH})_3$ and then said $\text{Al}(\text{OH})_3$ is treated under conditions effective for converting said $\text{Al}(\text{OH})_3$ into Al_2O_3
8. The process of any one of claims 1 to 7, wherein said aluminum-containing material is leached with HCl having a concentration of about 25 to about 45 weight %.
9. The process of any one of claims 1 to 7, wherein said aluminum-containing material is leached with HCl having a concentration of about 25 to about 45 weight % at a temperature of about 125 to about 225 °C.
10. The process of any one of claims 1 to 7, wherein said aluminum-containing material is leached with HCl having a concentration of about 25 to about 45 weight % at a temperature of about 160 to about 190 °C.
11. The process of any one of claims 1 to 7, wherein said aluminum-containing material is leached with HCl having a concentration of about 25 to about 45 weight % at a temperature of about 160 to about 175 °C.
12. The process of any one of claims 1 to 7, wherein said aluminum-containing material is leached with HCl having a concentration of about 18 to about 45 weight %.
13. The process of any one of claims 1 to 7, wherein said aluminum-containing material is leached with HCl having a concentration of about 18 to about 45 weight % at a temperature of about 125 to about 225 °C.

14. The process of any one of claims 1 to 7, wherein said aluminum-containing material is leached with HCl having a concentration of about 18 to about 45 weight % at a temperature of about 160 to about 190 °C.
15. The process of any one of claims 1 to 7, wherein said aluminum-containing material is leached with HCl having a concentration of about 18 to about 45 weight % at a temperature of about 160 to about 175 °C.
16. The process of any one of claims 1 to 7, wherein said aluminum-containing material is leached with HCl having a concentration of about 18 to about 45 weight % at a temperature of about 185 to about 190 °C.
17. The process of any one of claims 1 to 7, wherein said aluminum-containing material is leached with HCl having a concentration of about 18 to about 32 weight % at a temperature of about 125 to about 225 °C.
18. The process of any one of claims 1 to 7, wherein said aluminum-containing material is leached with HCl having a concentration of about 18 to about 32 weight % at a temperature of about 160 to about 190 °C.
19. The process of any one of claims 1 to 7, wherein said aluminum-containing material is leached with HCl having a concentration of about 18 to about 32 weight % at a temperature of about 160 to about 175 °C.
20. The process of any one of claims 1 to 7, wherein said aluminum-containing material is leached with HCl having a concentration of about 18 to about 32 weight % at a temperature of about 185 to about 190 °C.
21. The process of any one of claims 1 to 20, wherein said process further comprises recycling said gaseous HCl so-produced by contacting it with water so as to obtain a composition having a concentration of about 25 to about 45 weight % and using said composition for leaching said aluminum-containing material.

22. The process of claim 21, wherein said recycled gaseous HCl so-produced is contacted with water so as to obtain said composition having a concentration of about 26 to about 42 weight % and said composition is reacted, at a temperature of about 125 to about 225 °C, with said aluminum-containing material so as to leach aluminum-containing material.
23. The process of claim 21, wherein said recycled gaseous HCl so-produced is contacted with water so as to obtain said composition having a concentration of about 28 to about 40 weight % and said composition is reacted, at a temperature of about 150 to about 200 °C, with said aluminum-containing material so as to leach said aluminum-containing material .
24. The process of claim 21, wherein said recycled gaseous HCl so-produced is contacted with water so as to obtain said composition having a concentration of about 30 to about 38 weight % and said composition is reacted, at a temperature of about 150 to about 200 °C, with said aluminum-containing material so as to leach said aluminum-containing material.
25. The process of any one of claims 1 to 21, wherein said process further comprises recycling said gaseous HCl so-produced by contacting it with water so as to obtain a composition having a concentration of between 18 and 36 weight %.
26. The process of any one of claims 1 to 21, wherein said process further comprises recycling said gaseous HCl so-produced by contacting it with water so as to obtain a composition having a concentration of between 25 and 36 weight %.
27. The process of claim 24, wherein said composition is reacted, at a temperature of about 160 to about 180 °C with said aluminum-containing material so as to leach said aluminum-containing material.
28. The process of claim 24, wherein said composition is reacted, at a temperature of about 160 to about 175 °C with said aluminum-containing material so as to leach said aluminum-containing material.

29. The process of claim 24, wherein said composition is reacted, at a temperature of about 165 to about 170 °C with said aluminum-containing material so as to leach said aluminum-containing material.
30. The process of any one of claims 1 to 29, wherein said liquid comprises at least one iron chloride.
31. The process of claim 30, wherein said at least one iron chloride is FeCl₂, FeCl₃ or a mixture thereof.
32. The process of claim 30 or 31, wherein said liquid is concentrated to a concentrated liquid having a concentration of said at least one iron chloride of at least 30% by weight; and then hydrolyzed at a temperature of about 155 to about 350 °C.
33. The process of claim 30 or 31, wherein said liquid is concentrated to a concentrated liquid having a concentration of said at least one iron iron chloride of at least 30% by weight; and then said at least one iron chloride is hydrolyzed at a temperature of about 155 to about 350 °C while maintaining a ferric chloride concentration at a level of at least 65% by weight, to generate a composition comprising a liquid and precipitated hematite, and recovering said hematite.
34. The process of claim 30 or 31, wherein said at least one iron chloride is hydrolyzed at a temperature of about 165 to about 170 °C.
35. The process of claim 30 or 31, wherein said liquid is concentrated to a concentrated liquid having a concentration of said at least one iron chloride of at least 30% by weight; and then said at least one iron chloride is hydrolyzed at a temperature of about 155 to about 350 °C while maintaining a ferric chloride concentration at a level of at least 65% by weight, to generate a composition comprising a liquid and precipitated hematite; recovering said hematite; and recovering rare earth elements and/or rare metals from said liquid.
36. The process of claim 35, wherein said at least one iron chloride is hydrolyzed at a temperature of about 155 to about 170 °C.

37. The process of claim 35, wherein said at least one iron chloride is hydrolyzed at a temperature of about 160 to about 175 °C.
38. The process of any one of claims 1 to 37, comprising calcining $MgCl_2$ into MgO .
39. The process of claim 38, comprising calcining $MgCl_2$ into MgO and recycling the gaseous HCl so-produced by contacting it with water so as to obtain a composition having a concentration of about 25 to about 45 weight % and using said composition for leaching said aluminum-containing material.
40. The process of claim 38, comprising calcining $MgCl_2$ into MgO and recycling the gaseous HCl so-produced by contacting it with water so as to obtain a composition having a concentration of about 18 to about 45 weight % and using said composition for leaching said aluminum-containing material.
41. The process of any one of claims 35 to 40, further comprising, downstream of recovery of said rare earth elements and/or rare metals, recovering $NaCl$ from said liquid, reacting said $NaCl$ with H_2SO_4 , and substantially selectively precipitating Na_2SO_4 .
42. The process of any one of claims 35 to 41, further comprising, downstream of recovery of said rare earth elements and/or rare metals, recovering KCl from said liquid, reacting said KCl with H_2SO_4 , and substantially selectively precipitating K_2SO_4 .
43. The process of any one of claims 35 to 40, further comprising, downstream of recovery of said rare earth elements and/or rare metals, recovering $NaCl$ from said liquid, carrying out an electrolysis to generate $NaOH$ and $NaOCl$.
44. The process of any one of claims 35 to 40 and 43, further comprising, downstream of recovery of said rare earth elements and/or rare metals, recovering KCl from said liquid, reacting said KCl , carrying out an electrolysis to generate KOH and $KOCl$.

45. The process of claim 30 or 31, wherein said liquid is concentrated to a concentrated liquid having a concentration of said at least one iron chloride of at least 30% by weight; and then said at least one iron chloride is hydrolyzed at a temperature of about 155 to about 350 °C while maintaining a ferric chloride concentration at a level of at least 65% by weight, to generate a composition comprising a liquid and precipitated hematite; recovering said hematite; and extracting NaCl and/or KCl from said liquid.
46. The process of claim 45, further comprising reacting said NaCl with H₂SO₄ so as to substantially selectively precipitate Na₂SO₄.
47. The process of claim 45, further comprising reacting said KCl with H₂SO₄ so as to substantially selectively precipitate K₂SO₄.
48. The process of claim 45, further comprising carrying out an electrolysis of said NaCl to generate NaOH and NaOCl.
49. The process of claim 45, further comprising carrying out an electrolysis of said KCl to generate KOH and KOCl.
50. The process of any one of claims 1 to 49, wherein said process comprises separating said solid from said leachate and washing said solid so as to obtain silica having a purity of at least 95 %.
51. The process of any one of claims 1 to 49, wherein said process comprises separating said solid from said leachate and washing said solid so as to obtain silica having a purity of at least 98 %.
52. The process of any one of claims 1 to 49, wherein said process comprises separating said solid from said leachate and washing said solid so as to obtain silica having a purity of at least 99 %.
53. The process of any one of claims 1 to 52, wherein said process comprises reacting said leachate with gaseous HCl so as to obtain said liquid and said precipitate

comprising said aluminum ions, said precipitate being formed by crystallization of $\text{AlCl}_3 \cdot 6\text{H}_2\text{O}$.

54. The process of any one of claims 1 to 52, wherein said process comprises reacting said leachate with dry gaseous HCl so as to obtain said liquid and said precipitate comprising said aluminum ions, said precipitate being formed by crystallization of $\text{AlCl}_3 \cdot 6\text{H}_2\text{O}$.
55. The process of claim 53 or 54, wherein said gaseous HCl has a HCl concentration of at least 85 % by weight.
56. The process of claim 53 or 54, wherein said gaseous HCl has a HCl concentration of at least 90 % by weight.
57. The process of claim 53 or 54, wherein said gaseous HCl has a HCl concentration of about 90 % by weight.
58. The process of claim 53 or 54, wherein said gaseous HCl has a concentration of about 90 % to about 95 % by weight or about 90 % to about 99 % by weight.
59. The process of any one of claims 53 to 58, wherein during said crystallization of $\text{AlCl}_3 \cdot 6\text{H}_2\text{O}$, said liquid is maintained at a concentration of HCl of about 25 to about 35 % by weight.
60. The process of any one of claims 53 to 58, wherein during said crystallization of $\text{AlCl}_3 \cdot 6\text{H}_2\text{O}$, said liquid is maintained at a concentration of HCl of about 30 to about 32 % by weight.
61. The process of any one of claims 53 to 60, wherein said HCl is obtained from said gaseous HCl so-produced.
62. The process of any one of claims 1 to 61, wherein said process comprises reacting said leachate with HCl recovered during said process and having a concentration of

at least 30 % as to obtain said liquid and said precipitate comprising said aluminum ions, said precipitate being formed by crystallization of $\text{AlCl}_3 \cdot 6\text{H}_2\text{O}$.

63. The process of any one of claims 53 to 62, wherein said crystallization is carried out at a temperature of about 45 to about 65 °C.
64. The process of any one of claims 53 to 62, wherein said crystallization is carried out at a temperature of about 50 to about 60 °C.
65. The process of any one of claims 1 to 64, wherein said process comprises converting $\text{AlCl}_3 \cdot 6\text{H}_2\text{O}$ into Al_2O_3 by carrying out a calcination of $\text{AlCl}_3 \cdot 6\text{H}_2\text{O}$.
66. The process of any one of claims 1 to 65, wherein said process comprises heating said precipitate at a temperature of at least 1200 °C for converting $\text{AlCl}_3 \cdot 6\text{H}_2\text{O}$ into Al_2O_3 .
67. The process of any one of claims 1 to 65, wherein said process comprises heating said precipitate at a temperature of at least 1250 °C for converting $\text{AlCl}_3 \cdot 6\text{H}_2\text{O}$ into Al_2O_3 .
68. The process of any one of claims 1 to 65, wherein said process comprises heating said precipitate at a temperature of at least 900 °C for converting $\text{AlCl}_3 \cdot 6\text{H}_2\text{O}$ into Al_2O_3 .
69. The process of any one of claims 1 to 68, wherein said process comprises converting $\text{AlCl}_3 \cdot 6\text{H}_2\text{O}$ into alpha- Al_2O_3 .
70. The process of any one of claims 1 to 65, wherein said process comprises heating said precipitate at a temperature of at least 350 °C for converting $\text{AlCl}_3 \cdot 6\text{H}_2\text{O}$ into Al_2O_3 .

71. The process of any one of claims 1 to 65, wherein said process comprises heating said precipitate at a temperature of about 180 °C to about 250 °C or of about 350 °C to about 500 °C for converting $\text{AlCl}_3 \cdot 6\text{H}_2\text{O}$ into Al_2O_3 .
72. The process of any one of claims 1 to 65, wherein said process comprises heating said precipitate at a temperature of about 375 °C to about 450 °C for converting $\text{AlCl}_3 \cdot 6\text{H}_2\text{O}$ into Al_2O_3 .
73. The process of any one of claims 1 to 65, wherein said process comprises heating said precipitate at a temperature of about 375 °C to about 425 °C for converting $\text{AlCl}_3 \cdot 6\text{H}_2\text{O}$ into Al_2O_3 .
74. The process of any one of claims 1 to 65, wherein said process comprises heating said precipitate at a temperature of about 385 °C to about 400 °C for converting $\text{AlCl}_3 \cdot 6\text{H}_2\text{O}$ into Al_2O_3 .
75. The process of any one of claims 65 to 74, wherein said process comprises converting $\text{AlCl}_3 \cdot 6\text{H}_2\text{O}$ into beta- Al_2O_3 .
76. The process of any one of claims 1 to 75, wherein converting $\text{AlCl}_3 \cdot 6\text{H}_2\text{O}$ into Al_2O_3 comprises carrying out a calcination via a two-stage circulating fluid bed reactor.
77. The process of any one of claims 1 to 75, wherein converting $\text{AlCl}_3 \cdot 6\text{H}_2\text{O}$ into Al_2O_3 comprises carrying out a calcination via a two-stage circulating fluid bed reactor that comprises a preheating system.
78. The process of claim 77, wherein said preheating system comprises a plasma torch.
79. The process of claim 78, wherein said plasma torch is effective for preheating air entering into a calcination reactor.

80. The process of claim 78, wherein said plasma torch is effective for generating steam that is injected into a calcination reactor.
81. The process of claim 78, wherein said plasma torch is effective for generating steam that is as fluidization medium in a fluid bed reactor.
82. The process of process of any one of claims 1 to 81, wherein converting $\text{AlCl}_3 \cdot 6\text{H}_2\text{O}$ into Al_2O_3 comprises carrying out a one-step calcination.
83. The process of process of any one of claims 1 to 82, wherein said process comprises converting $\text{AlCl}_3 \cdot 6\text{H}_2\text{O}$ into Al_2O_3 by carrying out a calcination of $\text{AlCl}_3 \cdot 6\text{H}_2\text{O}$, said calcination comprising steam injection.
84. The process of claim 83, wherein steam is injected at a pressure of about 200 to about 700 psig.
85. The process of claim 83, wherein steam is injected at a pressure of about 300 to about 700 psig.
86. The process of claim 83, wherein steam is injected at a pressure of about 400 to about 700 psig.
87. The process of claim 83, wherein steam is injected at a pressure of about 550 to about 650 psig.
88. The process of claim 83, wherein steam is injected at a pressure of about 575 to about 625 psig.
89. The process of claim 83, wherein steam is injected at a pressure of about 590 to about 610 psig.
90. The process of any one of claims 83 to 87, wherein steam is injected and a plasma torch is used for carrying out fluidization.

91. The process of any one of claims 38 to 87, wherein overheated steam is injected and a plasma torch is used for carrying out fluidization.
92. The process of any one of claims 83 to 87, wherein said steam is overheated.
93. The process of any one of claims 1 to 92, wherein said process comprises converting $\text{AlCl}_3 \cdot 6\text{H}_2\text{O}$ into Al_2O_3 by carrying out a calcination of $\text{AlCl}_3 \cdot 6\text{H}_2\text{O}$ in which is provided by the combustion of a fossil fuel, carbon monoxide, propane, natural gas, a Refinery Fuel Gas, coal, or chlorinated gases and/or solvents.
94. The process of any one of claims 1 to 92, wherein said process comprises converting $\text{AlCl}_3 \cdot 6\text{H}_2\text{O}$ into Al_2O_3 by carrying out a calcination of $\text{AlCl}_3 \cdot 6\text{H}_2\text{O}$ that is provided by the combustion of gas mixture that is a an incoming smelter gas or a reducer offgas.
95. The process of any one of claims 1 to 92, wherein said process comprises converting $\text{AlCl}_3 \cdot 6\text{H}_2\text{O}$ into Al_2O_3 by carrying out a calcination of $\text{AlCl}_3 \cdot 6\text{H}_2\text{O}$ that is provided by the combustion of gas mixture that comprises :
- CH₄ : 0 to about 1% vol;
- C₂H₆ : 0 to about 2% vol;
- C₃H₈ : 0 to about 2% vol;
- C₄H₁₀ : 0 to about 1% vol;
- N₂ : 0 to about 0.5% vol;
- H₂ : about 0.25 to about 15.1 % vol;
- CO : about 70 to about 82.5 % vol; and
- CO₂ : about 1.0 to about 3.5% vol.
96. The process of claim 95, wherein O₂ is substantially absent from said mixture.

97. The process of any one of claims 1 to 92, wherein said process comprises converting $\text{AlCl}_3 \cdot 6\text{H}_2\text{O}$ into Al_2O_3 by carrying out a calcination of $\text{AlCl}_3 \cdot 6\text{H}_2\text{O}$ in which is provided by electric heating, gas heating, microwave heating.
98. The process of any one of claims 1 to 97, wherein converting $\text{AlCl}_3 \cdot 6\text{H}_2\text{O}$ into Al_2O_3 comprises carrying out a calcination by means of fluid bed reactor.
99. The process of claim 98, wherein the fluid bed reactor comprises a metal catalyst chosen from metal chlorides.
100. The process of claim 98, wherein the fluid bed reactor comprises FeCl_3 , FeCl_2 or a mixture thereof.
101. The process of claim 98, wherein the fluid bed reactor comprises FeCl_3 .
102. The process of any one of claims 1 to 101, wherein said process is a semi-continuous process.
103. The process of any one of claims 1 to 101, wherein said process is a continuous process.
104. The process of any one of claims 1 to 103, wherein said process is effective for providing an Al_2O_3 recovery yield of at least 93 %.
105. The process of any one of claims 1 to 103, wherein said process is effective for providing an Al_2O_3 recovery yield of about 90 % to about 95 %.
106. The process of any one of claims 1 to 105, wherein said process is effective for providing a Fe_2O_3 recovery yield of at least 98 %.
107. The process of any one of claims 1 to 105, wherein said process is effective for providing a Fe_2O_3 recovery yield of about 98 % to about 99.5 %.

108. The process of any one of claims 1 to 107, wherein said process is effective for providing a MgO recovery yield of at least 96 %.
109. The process of any one of claims 1 to 107, wherein said process is effective for providing a MgO recovery yield of about 96 to about 98 %.
110. The process of any one of claims 1 to 109, wherein said process is effective for providing a HCl recovery yield of at least 98 %.
111. The process of any one of claims 1 to 109, wherein said process is effective for providing a HCl recovery yield of at least 99 %.
112. The process of any one of claims 1 to 109, wherein said process is effective for providing a HCl recovery yield of about 98 to about 99.9 %.
113. The process of claim 1 or 3, wherein said aluminum-containing material is leached at a pressure of about 4 to about 10 barg.
114. The process of any one of claims 1 to 112, wherein said aluminum-containing material is leached at a pressure of about 4 to about 8 barg.
115. The process of any one of claims 1 to 112, wherein said aluminum-containing material is leached at a pressure of about 5 to about 6 barg.
116. The process of any one of claims 1 to 115, further comprising, before leaching said aluminum-containing material, a pre-leaching removal of fluorine optionally contained in said aluminum-containing material.
117. The process of any one of claims 1 to 116, comprising leaching said aluminum-containing material with HCl so as to obtain said leachate comprising aluminum ions and said solid, separating said solid from said leachate; and further treating said solid so as to separate SiO₂ from TiO₂ that are contained therein.

118. The process of any one of claims 1 to 116, comprising leaching said aluminum-containing material with HCl so as to obtain said leachate comprising aluminum ions and said solid, separating said solid from said leachate; and further treating said solid with HCl so as to separate SiO₂ from TiO₂ that are contained therein.
119. The process of any one of claims 1 to 116, comprising leaching said aluminum-containing material with HCl so as to obtain said leachate comprising aluminum ions and said solid, separating said solid from said leachate; and further treating said solid with HCl at a concentration of less than 20 % by weight, at a temperature of less than 85 °C, in the presence of MgCl₂, so as to separate SiO₂ from TiO₂ that are contained therein.
120. The process of any one of claims 1 to 119, wherein said aluminum-containing material is chosen from aluminosilicate minerals.
121. The process of any one of claims 1 to 119, wherein said aluminum-containing material is argillite.
122. The process of any one of claims 1 to 119, wherein said aluminum-containing material is bauxite.
123. The process of any one of claims 1 to 119, wherein said aluminum-containing material is an industrial refractory material.
124. The process of any one of claims 1 to 119, wherein said aluminum-containing material is red mud.
125. The process of any one of claims 1 to 124, wherein said process is effective for avoiding producing red mud.
126. The process of any one of claims 1 to 125, wherein the recovered HCl is purified and/or concentrated.

127. The process of claim 126, wherein the recovered HCl is purified by means of a membrane distillation process.
128. The process of claim 126, wherein the so-produced HCl is recovered and treated with H_2SO_4 so as to reduce the amount of water present in the gaseous HCl.
129. The process of claim 128, wherein the so-produced HCl is recovered and passed through a packed column so as to be in contact with a H_2SO_4 countercurrent flow so as to reduce the amount of water present in the gaseous HCl.
130. The process of claim 129, wherein the column is packed with polypropylene or polytrimethylene terephthalate.
131. The process of any one of claims 126 and 128 to 130, wherein the concentration of gaseous HCl is increased by at least 50 %.
132. The process of any one of claims 126 and 128 to 130, wherein the concentration of gaseous HCl is increased by at least 60 %.
133. The process of any one of claims 126 and 128 to 130, wherein the concentration of gaseous HCl is increased by at least 70 %.
134. The process of claim 126, wherein the so-produced HCl is recovered and treated with $CaCl_2$ so as to reduce the amount of water present in the gaseous HCl.
135. The process of claim 134, wherein the so-produced HCl is recovered and passed through a column packed with $CaCl_2$ so as to reduce the amount of water present in the gaseous HCl.
136. The process of any one of claims 126 to 135, wherein the concentration of gaseous HCl is increased from a value below the azeotropic point before treatment to a value above the azeotropic point after treatment.

137. The process of any one of claims 1 to 136, wherein MgCl_2 is substantially selectively precipitated from said leachate and removed therefrom and then, said leachate is reacted with HCl so as to obtain said liquid and said precipitate comprising said aluminum ions in the form of AlCl_3 , and separating said precipitate from said liquid.
138. The process of any one of claims 1 to 136, wherein said leachate is reacted with HCl so as to obtain said liquid and said precipitate comprising said aluminum ions in the form of AlCl_3 , and separating said precipitate from said liquid, and then said MgCl_2 is substantially selectively precipitated from said leachate and removed therefrom.
139. The process of claim 137 or 138, wherein said aluminum-containing material is leached with HCl so as to obtain said leachate comprising aluminum ions, magnesium ions and said solid, and said solid is separated from said leachate at a temperature of at least 50°C .
140. The process of claim 137 or 138, wherein said aluminum-containing material is leached with HCl so as to obtain said leachate comprising aluminum ions, magnesium ions and said solid, and said solid is separated from said leachate at a temperature of at least 60°C .
141. The process of claim 137 or 138, wherein said aluminum-containing material is leached with HCl so as to obtain said leachate comprising aluminum ions, magnesium ions and said solid, and said solid is separated from said leachate at a temperature of at least 75°C .
142. The process of claim 137 or 138, wherein said aluminum-containing material is leached with HCl so as to obtain said leachate comprising aluminum ions, magnesium ions and said solid, and said solid is separated from said leachate at a temperature of at least 100°C .

143. The process of any one of claims 138 to 142, wherein $MgCl_2$ is substantially selectively precipitated from said leachate at a temperature of about 5 to about 70 °C.
144. The process of any one of claims 138 to 142, wherein $MgCl_2$ is substantially selectively precipitated from said leachate at a temperature of about 10 to about 60 °C.
145. The process of any one of claims 138 to 142, wherein $MgCl_2$ is substantially selectively precipitated from said leachate at a temperature of about 10 to about 40 °C.
146. The process of any one of claims 138 to 142, wherein $MgCl_2$ is substantially selectively precipitated from said leachate at a temperature of about 15 to about 30 °C.
147. A process for preparing alumina, said process comprising :
- leaching an aluminum-containing material with HCl so as to obtain a leachate comprising aluminum ions, magnesium ions and a solid, and separating said solid from said leachate;
- substantially selectively precipitating $MgCl_2$ from said leachate under conditions effective for controlling solubility of $MgCl_2$ based on at least one parameter chosen from temperature, acid concentration and chlorides concentration and removing said $MgCl_2$ from said leachate;
- reacting said leachate with HCl so as to obtain a liquid and a precipitate comprising said aluminum ions in the form of $AlCl_3$, and separating said precipitate from said liquid;
- treating said precipitate under conditions effective for converting $AlCl_3$ into Al_2O_3 and optionally recovering gaseous HCl so-produced; and

treating said $MgCl_2$ under conditions effective for converting it into MgO and optionally recovering gaseous HCl so-produced,

wherein said aluminum-containing material is leached with HCl having a concentration of about 18 to about 32 weight % at a temperature of about 160 to about 190 °C.

148. A process for preparing alumina, said process comprising :

leaching an aluminum-containing material with HCl so as to obtain a leachate comprising aluminum ions, magnesium ions and a solid, and separating said solid from said leachate;

substantially selectively precipitating $MgCl_2$ from said leachate under conditions effective for controlling solubility of $MgCl_2$ based on at least one parameter chosen from temperature, acid concentration and chlorides concentration and removing said $MgCl_2$ from said leachate;

reacting said leachate with HCl so as to obtain a liquid and a precipitate comprising said aluminum ions in the form of $AlCl_3$, and separating said precipitate from said liquid;

treating said precipitate under conditions effective for converting $AlCl_3$ into Al_2O_3 and optionally recovering gaseous HCl so-produced; and

treating said $MgCl_2$ under conditions effective for converting it into MgO and optionally recovering gaseous HCl so-produced,

wherein said process comprises converting $AlCl_3 \cdot 6H_2O$ into Al_2O_3 by carrying out a calcination of $AlCl_3 \cdot 6H_2O$, said calcination comprising steam injection and wherein said steam is overheated.

149. A process for preparing alumina, said process comprising :

leaching an aluminum-containing material with HCl so as to obtain a leachate comprising aluminum ions, magnesium ions and a solid, and separating said solid from said leachate;

substantially selectively precipitating $MgCl_2$ from said leachate under conditions effective for controlling solubility of $MgCl_2$ based on at least one parameter chosen from temperature, acid concentration and chlorides concentration and removing said $MgCl_2$ from said leachate;

reacting said leachate with HCl so as to obtain a liquid and a precipitate comprising said aluminum ions in the form of $AlCl_3$, and separating said precipitate from said liquid;

treating said precipitate under conditions effective for converting $AlCl_3$ into Al_2O_3 and optionally recovering gaseous HCl so-produced; and

treating said $MgCl_2$ under conditions effective for converting it into MgO and optionally recovering gaseous HCl so-produced,

wherein said process further comprises, before leaching said aluminum-containing material, a pre-leaching removal of fluorine contained in said aluminum-containing material.

150. A process for preparing alumina, said process comprising :

leaching an aluminum-containing material with HCl so as to obtain a leachate comprising aluminum ions, magnesium ions and a solid, and separating said solid from said leachate;

substantially selectively precipitating $MgCl_2$ from said leachate under conditions effective for controlling solubility of $MgCl_2$ based on at least one parameter chosen from temperature, acid concentration and chlorides concentration and removing said $MgCl_2$ from said leachate;

reacting said leachate with HCl so as to obtain a liquid and a precipitate comprising said aluminum ions in the form of $AlCl_3$, and separating said precipitate from said liquid;

treating said precipitate under conditions effective for converting $AlCl_3$ into Al_2O_3 and optionally recovering gaseous HCl so-produced; and

treating said $MgCl_2$ under conditions effective for converting it into MgO and optionally recovering gaseous HCl so-produced,

wherein said process further comprises treating said solid with HCl so as to separate SiO_2 from TiO_2 that are contained therein.

151. A process for preparing alumina, said process comprising :

leaching an aluminum-containing material with HCl so as to obtain a leachate comprising aluminum ions, magnesium ions and a solid, and separating said solid from said leachate;

substantially selectively precipitating $MgCl_2$ from said leachate under conditions effective for controlling solubility of $MgCl_2$ based on at least one parameter chosen from temperature, acid concentration and chlorides concentration and removing said $MgCl_2$ from said leachate;

reacting said leachate with HCl so as to obtain a liquid and a precipitate comprising said aluminum ions in the form of $AlCl_3$, and separating said precipitate from said liquid;

treating said precipitate under conditions effective for converting AlCl_3 into Al_2O_3 and optionally recovering gaseous HCl so-produced; and

treating said MgCl_2 under conditions effective for converting it into MgO and optionally recovering gaseous HCl so-produced,

wherein said aluminum-containing material is argillite, an industrial refractory material or red mud.

152. A process for preparing alumina, said process comprising :

leaching an aluminum-containing material with HCl so as to obtain a leachate comprising aluminum ions, magnesium ions and iron ions and a solid, and separating said solid from said leachate;

reacting said leachate with HCl so as to obtain a liquid comprising said magnesium ions and said iron ions and a precipitate comprising said aluminum ions in the form of AlCl_3 , and separating said precipitate from said liquid;

substantially selectively removing said iron ions from said leachate by means of an hydrolysis;

substantially selectively precipitating MgCl_2 from said liquid under conditions effective for controlling solubility of MgCl_2 based on at least one parameter chosen from temperature, acid concentration and chlorides concentration and removing said MgCl_2 from said liquid;

treating said precipitate under conditions effective for converting AlCl_3 into Al_2O_3 and optionally recovering gaseous HCl so-produced; and

treating said MgCl_2 under conditions effective for converting it into MgO and optionally recovering gaseous HCl so-produced.

153. The process of any one of claims 1 to 152, wherein process comprises substantially selectively precipitating $MgCl_2$ from said leachate under conditions effective for controlling solubility of $MgCl_2$ based on temperature of said leachate.
154. The process of any one of claims 1 to 152, wherein process comprises substantially selectively precipitating $MgCl_2$ from said leachate under conditions effective for controlling solubility of $MgCl_2$ based on acid concentration.
155. The process of any one of claims 1 to 152, wherein process comprises substantially selectively precipitating $MgCl_2$ from said leachate under conditions effective for controlling solubility of $MgCl_2$ based on HCl concentration.
156. A process for preparing aluminum, said process comprising :
- obtaining alumina by means of a process as defined in any one of claims 1 to 155; and
- converting said Al_2O_3 into aluminum.
157. The process of claim 156, wherein said conversion of Al_2O_3 into aluminum is carried out :
- by means of the Hall-Hérault process;
- by using a reduction environment and carbon at temperature below $200^\circ C$;
- by means of the Wohler Process; or
- by converting Al_2O_3 into Al_2S_3 and then converting Al_2S_3 into aluminum.
158. A process for preparing various products, the process comprising :

leaching a material comprising a first metal with HCl so as to obtain a leachate comprising ions of said first metal and a solid, and separating the solid from the leachate;

reacting the leachate with HCl so as to obtain a liquid and a precipitate comprising a chloride of the first metal, and separating the precipitate from the liquid; and

treating the precipitate under conditions effective for converting the chloride of the first metal into an oxide of the first metal.

159. The process of claim 158, wherein said process comprises, before reacting the leachate with HCl so as to obtain said liquid and said precipitate, controlling the temperature of said leachate so as to substantially selectively precipitate a second metal in the form of a chloride, and removing said precipitate from said leachate.
160. The process of claim 158, wherein said process comprises, after reacting the leachate with HCl so as to obtain said liquid and said precipitate, controlling the temperature of said leachate so as to substantially selectively precipitate a second metal in the form of a chloride, and removing said precipitate from said leachate.
161. The process of claim 158, 159 or 160, wherein said material is leached with HCl so as to obtain said leachate, and said solid is separated from said leachate at a temperature of at least 50 °C.
162. The process of claim 158, 159 or 160, wherein said material is leached with HCl so as to obtain said leachate, and said solid is separated from said leachate at a temperature of at least 55 °C.
163. The process of claim 158, 159 or 160, wherein said material is leached with HCl so as to obtain said leachate, and said solid is separated from said leachate at a temperature of at least 60 °C.

164. The process of claim 158, 159 or 160, wherein said material is leached with HCl so as to obtain said leachate, and said solid is separated from said leachate at a temperature of at least 75 °C.
165. The process of claim 158, 159 or 160, wherein said material is leached with HCl so as to obtain said leachate, and said solid is separated from said leachate at a temperature of at least 100 °C.
166. The process of any one of claims 159 to 165, wherein said second metal is substantially selectively precipitated from said leachate at a temperature of about 5 to about 70 °C.
167. The process of any one of claims 159 to 165, wherein said second metal is substantially selectively precipitated from said leachate at a temperature of about 10 to about 60 °C.
168. The process of any one of claims 159 to 165, wherein said second metal is substantially selectively precipitated from said leachate at a temperature of about 10 to about 40 °C.
169. The process of any one of claims 159 to 165, wherein said second metal is substantially selectively precipitated from said leachate at a temperature of about 15 to about 30 °C.
170. The process of any one of claims 159 to 165, further comprising treating said precipitate under conditions effective for converting said chloride of said second metal it into an oxide of said second metal and optionally recovering gaseous HCl so-produced;
171. The process of any one of claims 158 to 170, wherein said first metal is chosen from aluminum, iron, zinc, copper, gold, silver, molybdenum, cobalt, magnesium, lithium, manganese, nickel, palladium, platinum, thorium, phosphorus, uranium and titanium, and/or at least one rare earth element and/or at least one rare metal

172. The process of any one of claims 159 to 170, wherein said second metal is chosen from aluminum, iron, zinc, copper, gold, silver, molybdenum, cobalt, magnesium, lithium, manganese, nickel, palladium, platinum, thorium, phosphorus, uranium and titanium, and/or at least one rare earth element and/or at least one rare metal.
173. The process of any one of claims 159 to 170, wherein said second metal is magnesium.
174. The process of any one of claims 158 to 170, wherein said first metal is aluminum.
175. The process of any one of claims 158 to 170, wherein said first metal is aluminum and said second metal is magnesium.
176. The process of claim 159, wherein said process comprises separating the precipitate from the liquid and heating the second metal in order to convert a chloride of the second metal into an oxide of the second metal.
177. The process of any one of claims 159 to 176, wherein said process comprises
- separating the solid from the leachate;
- leaching said solid with an acid so as to obtain another leachate; and
- recovering a third metal from said another leachate.
178. The process of claim 177, wherein said third metal is chosen from aluminum, iron, zinc, copper, gold, silver, molybdenum, cobalt, magnesium, lithium, manganese, nickel, palladium, platinum, thorium, phosphorus, uranium and titanium, and/or at least one rare earth element and/or at least one rare metal.
179. The process of claim 178, wherein said third metal is titanium.
180. The process of claim 177, 178 or 179, wherein said acid is chosen from HCl, HNO₃, H₂SO₄ and mixtures thereof.

181. The process of claim 177, 178, 179 or 180, wherein said process comprises recovering said third metal from said another leachate by precipitating said third metal.
182. The process of claim 181, wherein said third metal is precipitated by reacting it with HCl.
183. The process of claim 182, wherein said process further comprises heating the third metal in order to convert a chloride of the third metal into an oxide of the third metal.
184. The process of any one of claims 159 and 176, wherein said first metal is magnesium.
185. The process of any one of claims 159 and 176, wherein said first metal is nickel.
186. The process of any one of claims 159 and 176, wherein said second metal is magnesium.
187. The process of any one of claims 159 and 176, wherein said second metal is nickel.
188. The process of any one of claims 159 and 176, wherein said third metal is magnesium.
189. The process of any one of claims 159 and 176, wherein said third metal is nickel.
190. A process for treating serpentine, said process comprising :

leaching serpentine with HCl so as to obtain a leachate comprising magnesium ions and a solid, and separating said solid from said leachate;

reacting said leachate with HCl so as to obtain a liquid and a precipitate comprising $MgCl_2$, and separating said precipitate from said liquid; and

treating said precipitate under conditions effective for converting $MgCl_2$ into MgO and optionally recovering gaseous HCl so-produced.

191. The process of claim 190, wherein said process comprises reacting said leachate with gaseous HCl so as to obtain a liquid and a precipitate comprising $MgCl_2$.

192. A process for treating serpentine, said process comprising :

leaching serpentine with HCl so as to obtain a leachate comprising magnesium ions and a solid, and separating said solid from said leachate;

controlling the temperature of said leachate so as to substantially selectively precipitate said magnesium ions in the form of magnesium chloride, and removing said precipitate from said leachate, thereby obtaining a liquid.

treating said $MgCl_2$ under conditions effective for converting $MgCl_2$ into MgO and optionally recovering gaseous HCl so-produced.

193. The process of claim 192, wherein said solid is separated from said leachate at a temperature of at least $50\text{ }^\circ\text{C}$.

194. The process of claim 192, wherein said solid is separated from said leachate at a temperature of at least $60\text{ }^\circ\text{C}$.

195. The process of claim 192, wherein said solid is separated from said leachate at a temperature of at least $75\text{ }^\circ\text{C}$.

196. The process of claim 192, wherein said solid is separated from said leachate at a temperature of at least $100\text{ }^\circ\text{C}$.

197. The process of any one of claims 192 to 196, wherein $MgCl_2$ is substantially selectively precipitated from said leachate at a temperature of about 5 to about $70\text{ }^\circ\text{C}$.

198. The process of any one of claims 192 to 196, wherein MgCl_2 is substantially selectively precipitated from said leachate at a temperature of about 10 to about 60 °C.
199. The process of any one of claims 192 to 196, wherein MgCl_2 is substantially selectively precipitated from said leachate at a temperature of about 10 to about 40 °C.
200. The process of any one of claims 192 to 196, wherein MgCl_2 is substantially selectively precipitated from said leachate at a temperature of about 15 to about 30 °C.
201. The process of any one of claims 192 to 200, wherein said liquid comprises at least one iron chloride.
202. The process of claim 201, wherein said at least one iron chloride is FeCl_2 , FeCl_3 or a mixture thereof.
203. The process of claim 201 or 202, wherein said liquid is concentrated to a concentrated liquid having a concentration of said at least one iron chloride of at least 30% by weight; and then hydrolyzed at a temperature of about 155 to about 350 °C.
204. The process of claim 201 or 202, wherein said liquid is concentrated to a concentrated liquid having a concentration of said at least one iron chloride of at least 30% by weight; and then said at least one iron chloride is hydrolyzed at a temperature of about 155 to about 350 °C while maintaining a ferric chloride concentration at a level of at least 65% by weight, to generate a composition comprising a liquid and precipitated hematite, and recovering said hematite.
205. The process of claim 201 or 202, wherein said at least one iron chloride is hydrolyzed at a temperature of about 165 to about 170 °C.

206. The process of claim 201 or 202, wherein said liquid is concentrated to a concentrated liquid having a concentration of said at least one iron chloride of at least 30% by weight; and then said at least one iron chloride is hydrolyzed at a temperature of about 155 to about 350 °C while maintaining a ferric chloride concentration at a level of at least 65% by weight, to generate a composition comprising a liquid and precipitated hematite; recovering said hematite; and recovering rare earth elements and/or rare metals from said liquid.
207. The process of claim 206, wherein said at least one iron chloride is hydrolyzed at a temperature of about 155 to about 170 °C.
208. The process of claim 206, wherein said at least one iron chloride is hydrolyzed at a temperature of about 160 to about 175 °C.
209. The process of any one of claims 192 to 208, comprising calcining $MgCl_2$ into MgO .
210. The process of claim 209, comprising calcining $MgCl_2$ into MgO and recycling the gaseous HCl so-produced by contacting it with water so as to obtain a composition having a concentration of about 25 to about 45 weight % and using said composition for leaching said serpentine.
211. The process of claim 209, comprising calcining $MgCl_2$ into MgO and recycling the gaseous HCl so-produced by contacting it with water so as to obtain a composition having a concentration of about 18 to about 45 weight % and using said composition for leaching said serpentine.
212. A process for treating a magnesium-containing material, said process comprising :
- leaching the magnesium-containing material with HCl so as to obtain a leachate comprising magnesium ions and a solid, and separating said solid from said leachate;
- reacting said leachate with HCl so as to obtain a liquid and a precipitate comprising $MgCl_2$, and separating said precipitate from said liquid; and

heating said precipitate under conditions effective for converting MgCl_2 into MgO and optionally recovering gaseous HCl so-produced.

213. The process of claim 212, wherein said process comprises reacting said leachate with gaseous HCl so as to obtain a liquid and a precipitate comprising MgCl_2 .

214. A process for treating a magnesium-containing material, said process comprising :

leaching the magnesium-containing material with HCl so as to obtain a leachate comprising magnesium ions and ions from at least one metal and a solid, and separating said solid from said leachate; and

precipitating said at least one metal by reacting said leachate with a precipitating agent so as to obtain a liquid comprising said magnesium ions and a precipitate comprising said precipitated at least one metal, and separating said precipitate from said liquid.

215. The process of claim 214, wherein said process comprises substantially selectively precipitating said magnesium ions by reacting said leachate with said precipitating agent.

216. The process of claim 214 or 215, wherein said precipitating agent is $\text{Mg}(\text{OH})_2$.

217. The process of any one of claims 214 to 216, wherein said magnesium-containing material is serpentine.

218. The process of any one of claims 214 to 216, wherein said magnesium-containing material is asbestos.

219. The process of any one of claims 214 to 216, wherein said at least one metal is nickel.

220. The process of any one of claims 214 to 216, wherein said at least one metal is cobalt.

221. The process of any one of claims 214 to 216, wherein said at least one metal is iron.
222. The process of any one of claims 214 to 216, wherein said at least one metal is aluminum.
223. A process for treating a material comprising magnesium and at least one other metal, said process comprising :
- leaching the material with HCl so as to obtain a leachate comprising magnesium ions and ions from said at least one other metal and a solid, and separating said solid from said leachate; and
- precipitating said at least one other metal by reacting said leachate with a precipitating agent so as to obtain a liquid comprising said magnesium ions and a precipitate comprising said precipitated at least one metal, and separating said precipitate from said liquid;
- treating said liquid so as to cause precipitation of $Mg(OH)_2$; and
- treating said precipitate so as to substantially selectively isolate said at least one metal therefrom.
224. The process of claim 223, wherein said process comprises substantially selectively precipitating said magnesium ions by reacting said leachate with said precipitating agent.
225. The process of claim 223 or 224, wherein said precipitating agent is $Mg(OH)_2$.
226. The process of any one of claims 223 to 225, wherein said magnesium-containing material is serpentine.
227. The process of any one of claims 223 to 225, wherein said magnesium-containing material is asbestos.

228. The process of any one of claims 223 to 225, wherein said at least one metal is nickel.
229. The process of any one of claims 223 to 227, wherein said at least one metal is cobalt.
230. The process of any one of claims 223 to 227, wherein said at least one metal is iron.
231. The process of any one of claims 223 to 227, wherein said at least one metal is aluminum.
232. The process of any one of claims 223 to 227, wherein said at least one metal is chosen from cobalt and nickel.
233. The process of any one of claims 223 to 227, wherein said material comprises magnesium, nickel and cobalt.
234. The process of claim 232 or 233, wherein cobalt and/or nickel is precipitated at a pH of about 8.5 to about 10.
235. The process of claim 232 or 233, wherein cobalt and/or nickel is precipitated at a pH of about 9 to about 10.
236. The process of any one of claims 223 to 235, wherein said at least one metal is isolated from said precipitate and is further purified by means of a solvent extraction.
237. The process of any one of claims 223 to 235, wherein cobalt and nickel are isolated from said precipitate and are further purified by means of a solvent extraction.
238. The process of any one of claims 223 to 235, wherein cobalt and nickel are isolated from said precipitate and are further purified by means of a solvent extraction so as to separate them from one another.

239. The process of any one of claims 223 to 238, wherein said magnesium contained in said liquid is converted into $\text{Mg}(\text{OH})_2$ by means of an hydrolysis reaction.
240. The process of claims 239, wherein $\text{Mg}(\text{OH})_2$ is converted into MgO by means of a calcination reaction.
241. The process of claim 239, wherein $\text{Mg}(\text{OH})_2$ is converted into MgO by means of recirculating fluid bed.
242. The process of claim 239, wherein $\text{Mg}(\text{OH})_2$ is converted into MgO by means of a spray roaster.
243. The process of claim 239, wherein $\text{Mg}(\text{OH})_2$ is converted into MgO by means of a kiln.
244. The process of any one of claims 240 to 243, wherein said calcination is carried out while recovering and/or regenerating HCl .
245. The process of any one of claims 240 to 243, wherein said calcination is carried out while recovering and/or regenerating HCl at a concentration above its azeotropic point.
246. The process of any one of claims 240 to 243, wherein said calcination is carried out while recovering and/or regenerating HCl at its azeotropic point.
247. A process for treating a magnesium-containing material, said process comprising :
- leaching the magnesium-containing material with HCl so as to obtain a leachate comprising magnesium ions, and a solid, and separating said solid from said leachate;
- controlling the temperature of said leachate so as to substantially selectively precipitate said magnesium ions in the form of magnesium chloride, and removing said precipitate from said leachate, thereby obtaining a liquid;

heating said MgCl_2 under conditions effective for converting MgCl_2 into MgO and optionally recovering gaseous HCl so-produced.

248. The process of claim 247, wherein said solid is separated from said leachate at a temperature of at least 50°C .
249. The process of claim 247, wherein said solid is separated from said leachate at a temperature of at least 60°C .
250. The process of claim 247, wherein said solid is separated from said leachate at a temperature of at least 75°C .
251. The process of claim 247, wherein said solid is separated from said leachate at a temperature of at least 100°C .
252. The process of any one of claims 247 to 251, wherein MgCl_2 is substantially selectively precipitated from said leachate at a temperature of about 5 to about 70°C .
253. The process of any one of claims 247 to 251, wherein MgCl_2 is substantially selectively precipitated from said leachate at a temperature of about 10 to about 60°C .
254. The process of any one of claims 247 to 251, wherein MgCl_2 is substantially selectively precipitated from said leachate at a temperature of about 10 to about 40°C .
255. The process of any one of claims 247 to 251, wherein MgCl_2 is substantially selectively precipitated from said leachate at a temperature of about 15 to about 30°C .
256. The process of any one of claims 247 to 255, wherein said liquid comprises at least one iron chloride.

257. The process of claim 256, wherein said at least one iron chloride is FeCl_2 , FeCl_3 or a mixture thereof.
258. The process of claim 256 or 257, wherein said liquid is concentrated to a concentrated liquid having a concentration of said at least one iron chloride of at least 30% by weight; and then hydrolyzed at a temperature of about 155 to about 350 °C.
259. The process of claim 256 or 257, wherein said liquid is concentrated to a concentrated liquid having a concentration of said at least one iron iron chloride of at least 30% by weight; and then said at least one iron chloride is hydrolyzed at a temperature of about 155 to about 350 °C while maintaining a ferric chloride concentration at a level of at least 65% by weight, to generate a composition comprising a liquid and precipitated hematite, and recovering said hematite.
260. The process of claim 256 or 257, wherein said at least one iron chloride is hydrolyzed at a temperature of about 165 to about 170 °C.
261. The process of claim 256 or 257, wherein said liquid is concentrated to a concentrated liquid having a concentration of said at least one iron chloride of at least 30% by weight; and then said at least one iron chloride is hydrolyzed at a temperature of about 155 to about 350 °C while maintaining a ferric chloride concentration at a level of at least 65% by weight, to generate a composition comprising a liquid and precipitated hematite; recovering said hematite; and recovering rare earth elements and/or rare metals from said liquid.
262. The process of claim 261, wherein said at least one iron chloride is hydrolyzed at a temperature of about 155 to about 170 °C.
263. The process of claim 261, wherein said at least one iron chloride is hydrolyzed at a temperature of about 160 to about 175 °C.
264. The process of any one of claims 247 to 255, wherein said liquid comprises aluminum chloride.

265. The process of claim 264, wherein The process of any one of claims 1 to 47, wherein said process comprises reacting said liquid with gaseous HCl so as to obtain said liquid and said precipitate comprising said aluminum ions, said precipitate being formed by crystallization of $\text{AlCl}_3 \cdot 6\text{H}_2\text{O}$.
266. The process of claim 264, wherein said process comprises reacting said liquid with dry gaseous HCl so as to obtain said liquid and said precipitate comprising said aluminum ions, said precipitate being formed by crystallization of $\text{AlCl}_3 \cdot 6\text{H}_2\text{O}$.
267. The process of claim 266 or 266, wherein said gaseous HCl has a HCl concentration of at least 85 % by weight.
268. The process of claim 265 or 266, wherein said gaseous HCl has a HCl concentration of at least 90 % by weight.
269. The process of claim 265 or 266, wherein said gaseous HCl has a HCl concentration of about 95 % by weight.
270. The process of claim 265 or 266, wherein said gaseous HCl has a concentration of about 90 % to about 95 % by weight.
271. The process of claim 265 or 266, wherein said gaseous HCl has a concentration of about 90 % to about 99 % by weight.
272. The process of any one of claims 265 to 271, wherein during said crystallization of $\text{AlCl}_3 \cdot 6\text{H}_2\text{O}$, said liquid is maintained at a concentration of HCl of about 25 to about 35 % by weight.
273. The process of any one of claims 265 to 271, wherein during said crystallization of $\text{AlCl}_3 \cdot 6\text{H}_2\text{O}$, said liquid is maintained at a concentration of HCl of about 30 to about 32 % by weight.
274. The process of any one of claims 265 to 273, wherein said HCl is obtained from said gaseous HCl so-produced.

275. The process of any one of claims 265 to 274, wherein said process comprises reacting said leachate with HCl recovered during said process and having a concentration of at least 30 % as to obtain said liquid and said precipitate comprising said aluminum ions, said precipitate being formed by crystallization of $\text{AlCl}_3 \cdot 6\text{H}_2\text{O}$.
276. The process of any one of claims 265 to 275, wherein said crystallization is carried out at a temperature of about 45 to about 65 °C.
277. The process of any one of claims 265 to 275, wherein said crystallization is carried out at a temperature of about 50 to about 60 °C.
278. The process of any one of claims 265 to 277, comprising calcining MgCl_2 into MgO .
279. The process of claim 278, comprising calcining MgCl_2 into MgO and recycling the gaseous HCl so-produced by contacting it with water so as to obtain a composition having a concentration of about 25 to about 45 weight % and using said composition for leaching said magnesium-containing material.
280. The process of claim 278, comprising calcining MgCl_2 into MgO and recycling the gaseous HCl so-produced by contacting it with water so as to obtain a composition having a concentration of about 18 to about 45 weight % and using said composition for leaching said magnesium-containing material.
281. The process of any one of claims 159 to 280, wherein said process further comprises extracting aluminum from said material by using the process as defined in any one of claims 1 to 141.
282. The process of any one of claims 159 to 281, wherein said process further comprises extracting iron from said material by using the process as defined in any one of claims 1 to 141.

283. The process of any one of claims 159 to 281, wherein said process further comprises extracting iron from said material by using the process as defined in any one of claims 1 to 141.
284. The process of any one of claims 1 to 283, comprising treating said solid with HCl, in the presence of a metal chloride, so as to separate Si from Ti that are contained therein.
285. The process of any one of claims 1 to 283, comprising treating said solid with HCl at a concentration of less than 20 % by weight, at a temperature of less than 85 °C, in the presence of a metal chloride, so as to separate Si from Ti that are contained therein.
286. The process of claim 284 or 285, wherein said solid is treated with HCl and said metal chloride so as to obtain a liquid portion comprising Ti and a solid portion containing Si and wherein said liquid portion is separated from said solid portion.
287. The process of claim 286, wherein said solid is treated with HCl and said metal chloride so as to obtain a liquid portion comprising TiCl_4 .
288. The process of claim 287, wherein said process further comprises converting TiCl_4 into TiO_2 .
289. The process of claim 287, wherein TiCl_4 is converted into TiO_2 by solvent extraction of the third liquid fraction and subsequent formation of titanium dioxide from said solvent extraction.
290. The process of claim 288, wherein TiCl_4 is reacted with water and/or a base to cause precipitation of TiO_2 .
291. The process of claim 288, wherein TiCl_4 is converted into TiO_2 by means of a pyrohydrolysis, thereby generating HCl.

292. The process of claim 288, wherein TiCl_4 is converted into TiO_2 by means of a pyrohydrolysis, thereby generating HCl that is recycled.
293. The process of any one of claims 284 to 292, wherein said metal chloride is MgCl_2 .
294. The process of any one of claims 284 to 292, wherein said metal chloride is ZnCl_2 .
295. The process of any one of claims 1 to 283, wherein said solid comprises TiO_2 and SiO_2 and said solid is treated with Cl_2 and carbon in order to obtain a liquid portion and a solid portion, and wherein said solid portion and said liquid portion are separated from one another.
296. The process of claim 295, wherein said liquid portion comprises TiCl_2 and/or TiCl_4 .
297. The process of claim 295, wherein said liquid portion comprises TiCl_4 .
298. The process of claim 297 further comprising heating TiCl_4 so as to convert it into TiO_2 .
299. The process of any one of claims 288 to 292 and 298, wherein obtained TiO_2 purified by means of a plasma torch.

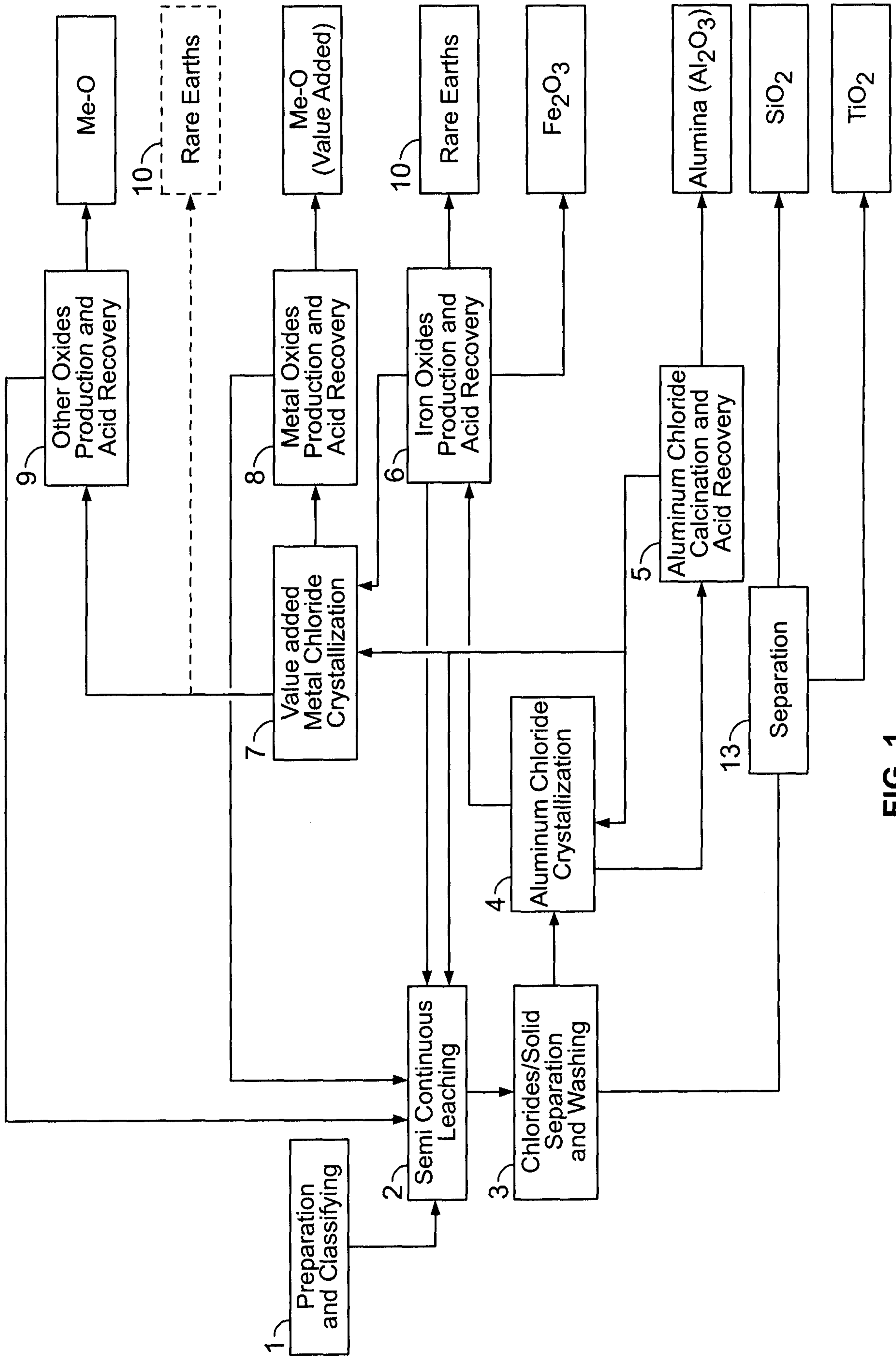


FIG. 1

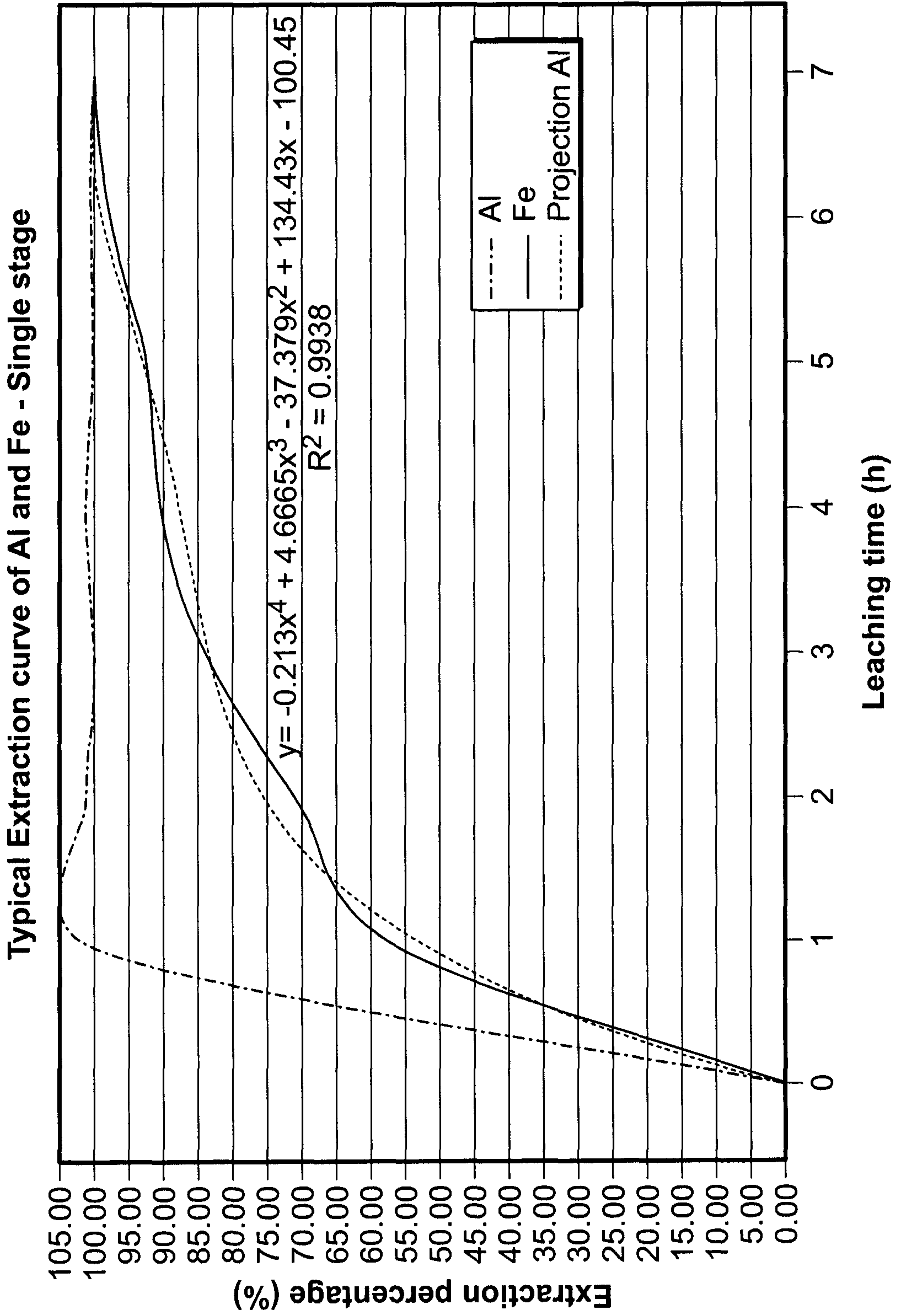


FIG. 2

3/20

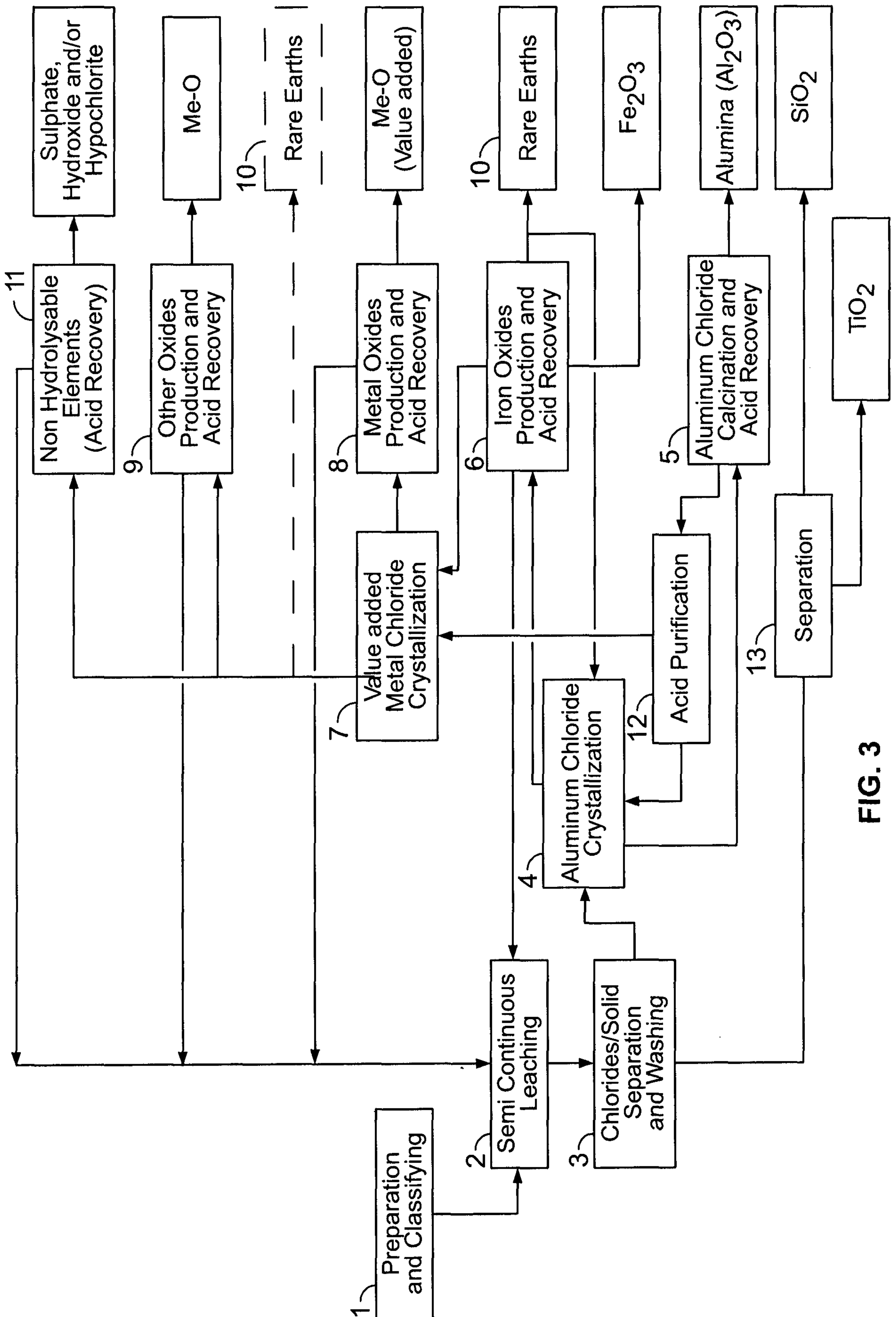


FIG. 3

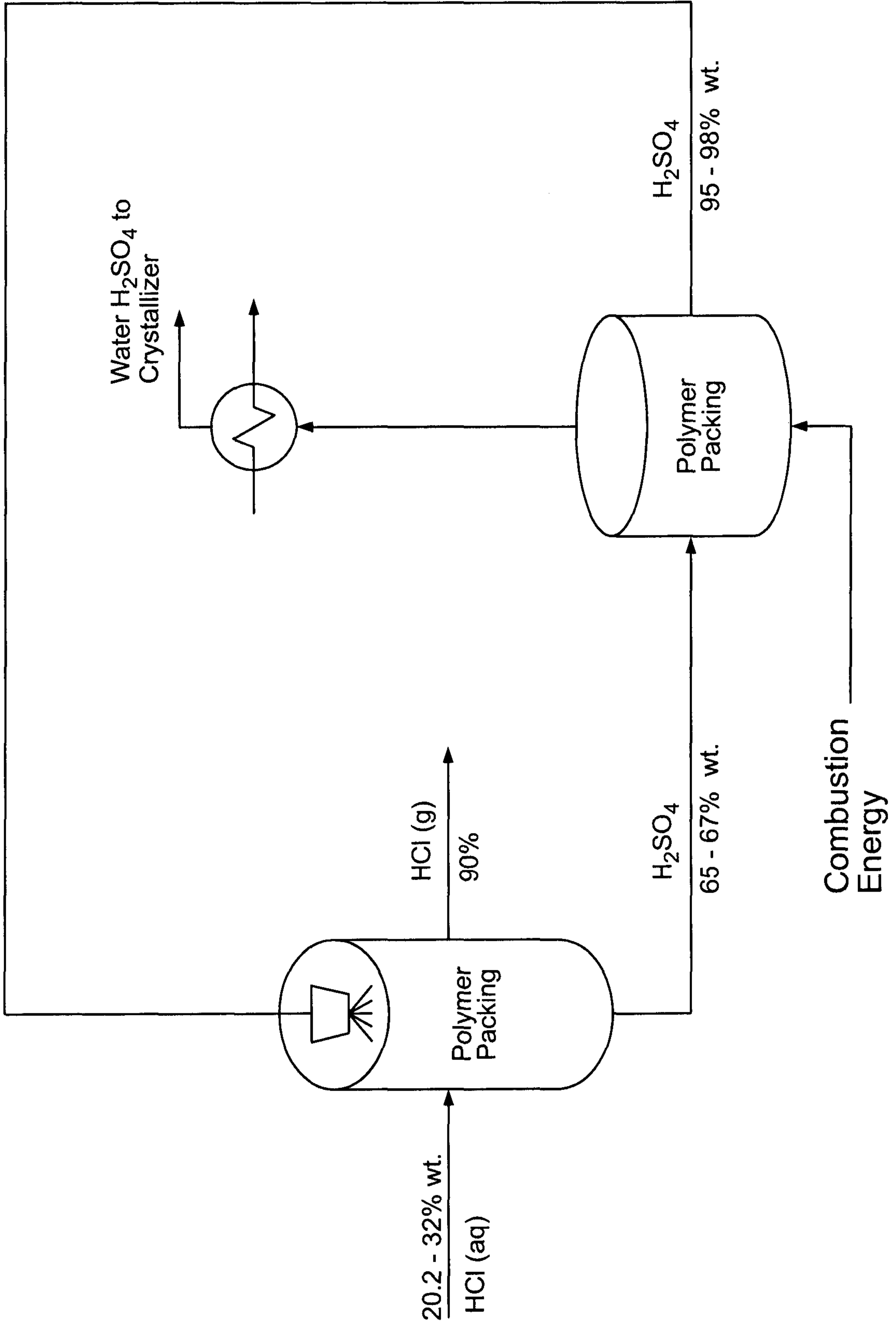


FIG. 4

5/20

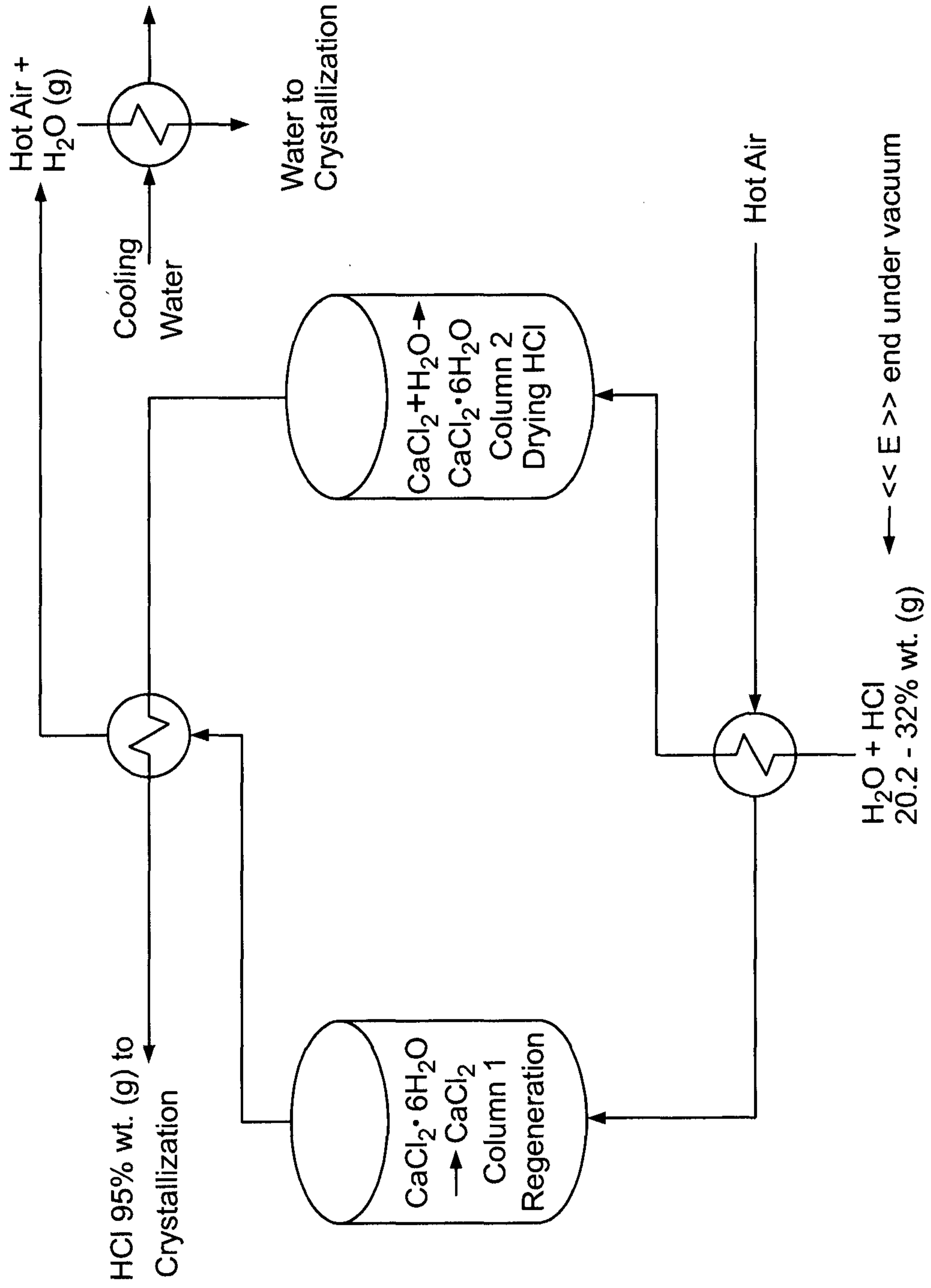


FIG. 5

6/20

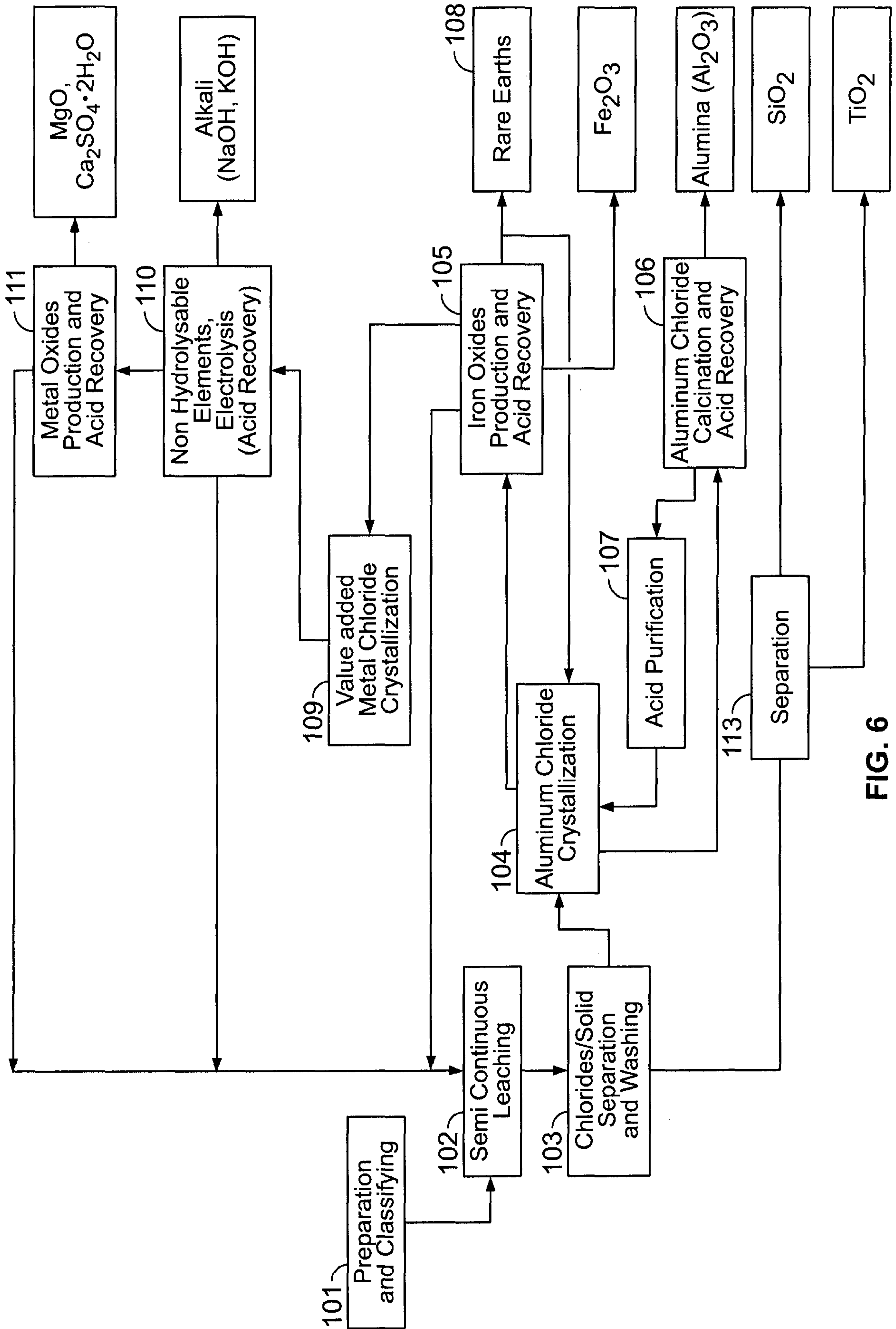


FIG. 6

7/20

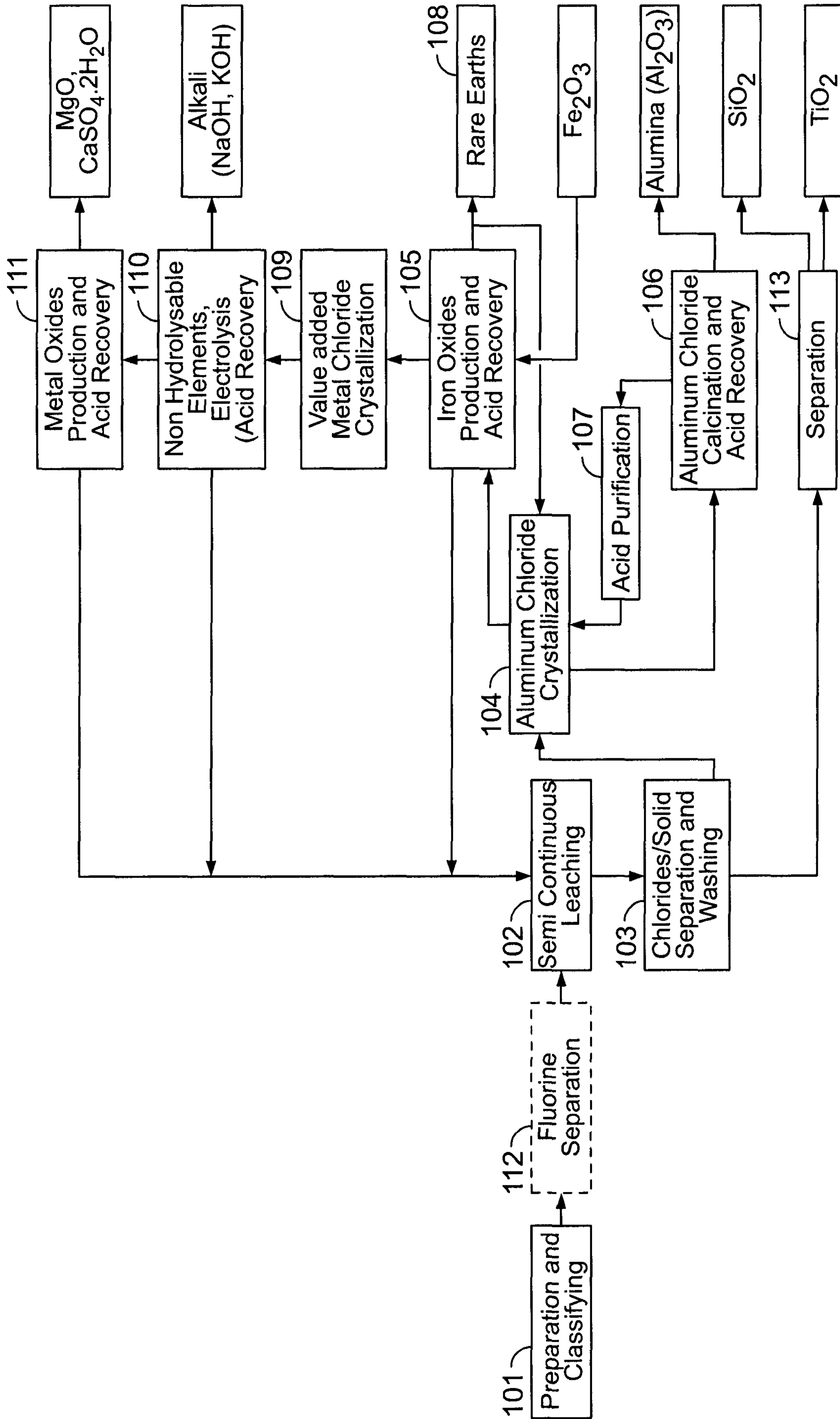


FIG. 7

8/20

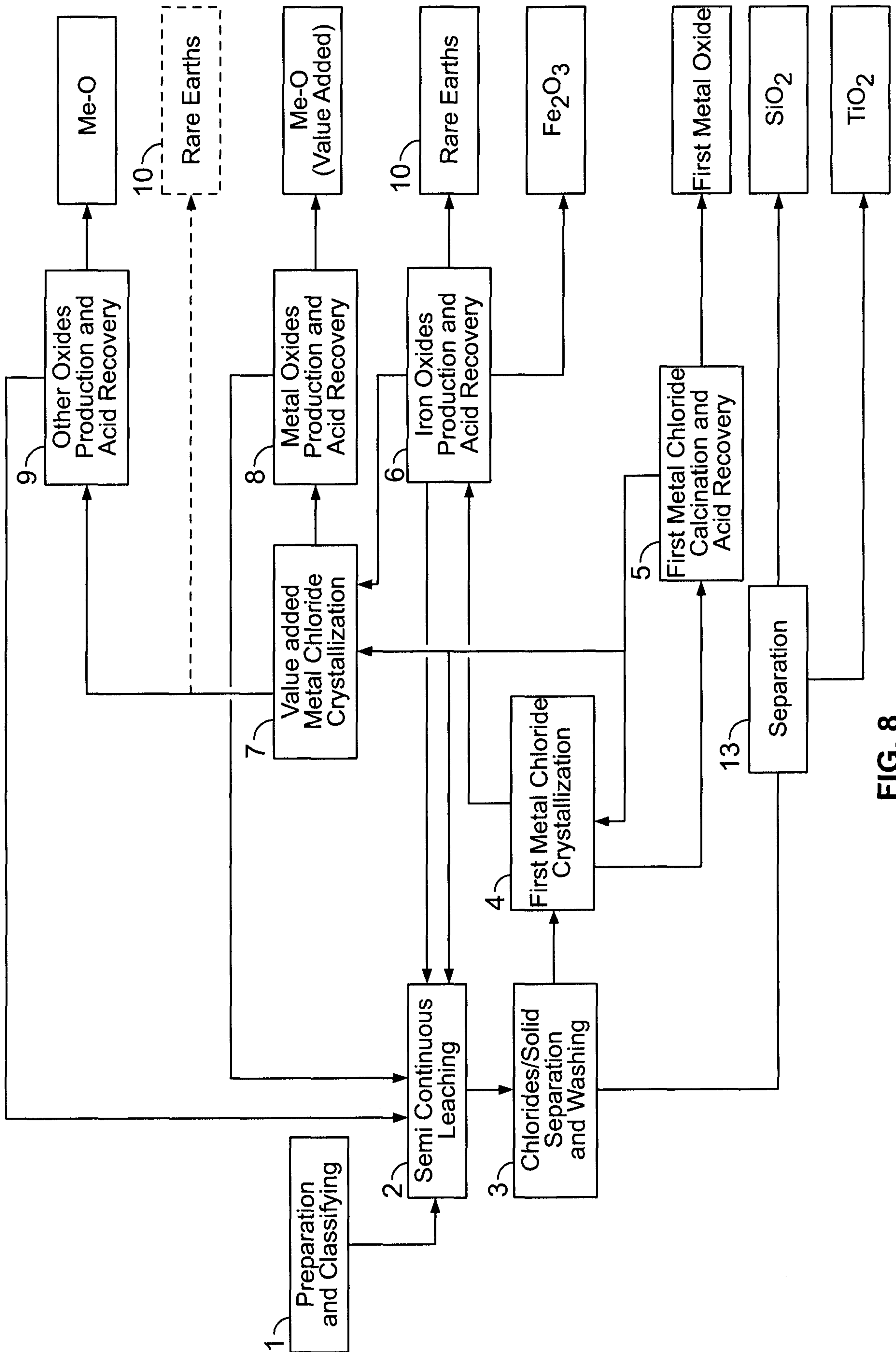


FIG. 8

9/20

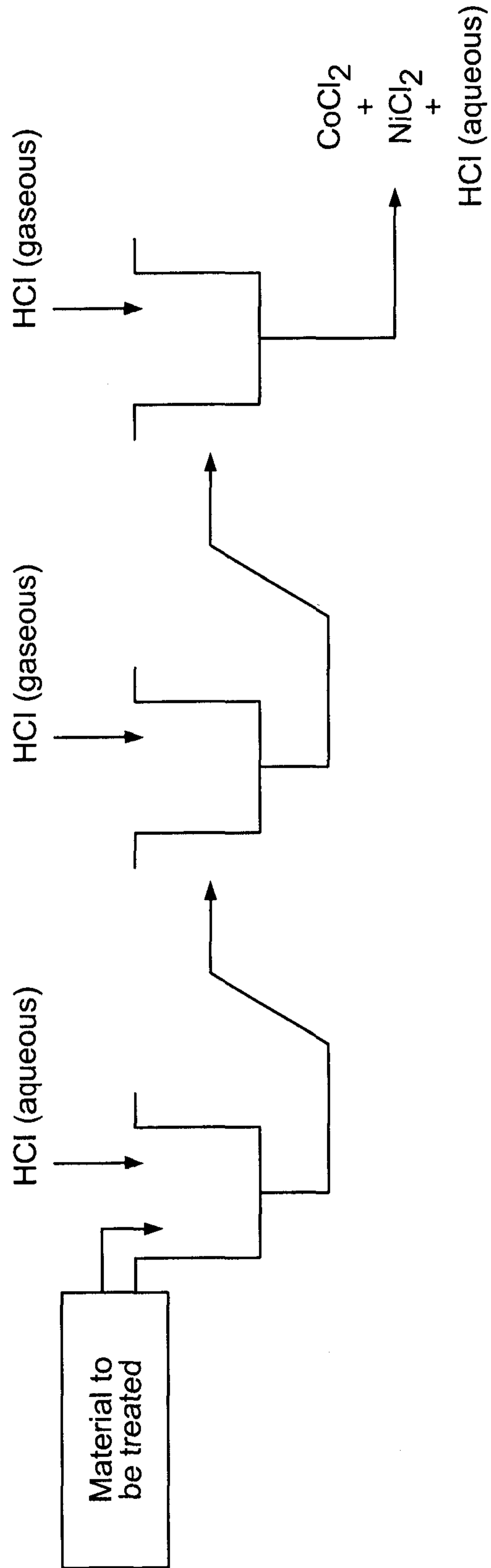


FIG. 9

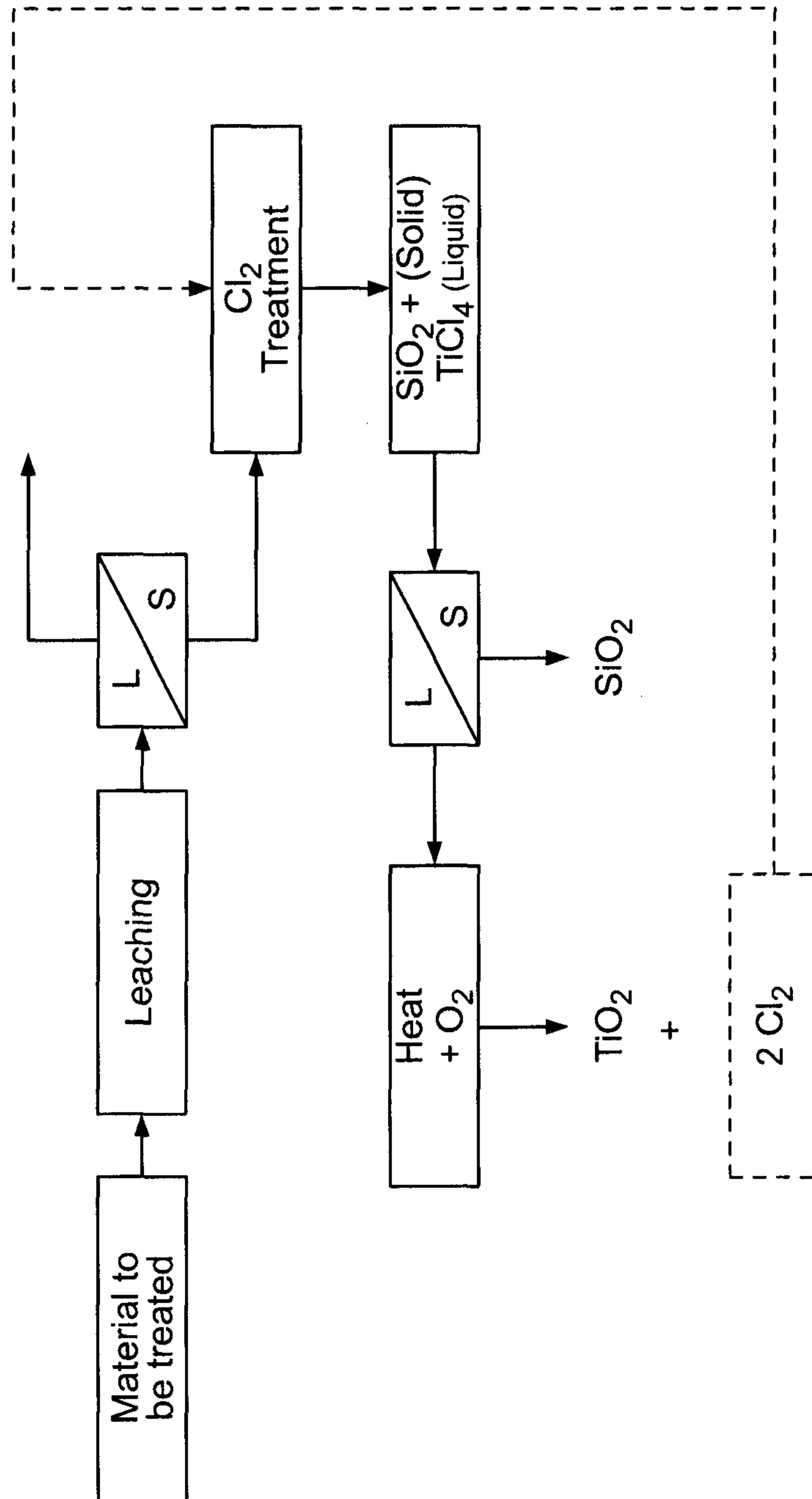


FIG. 10A

11/20

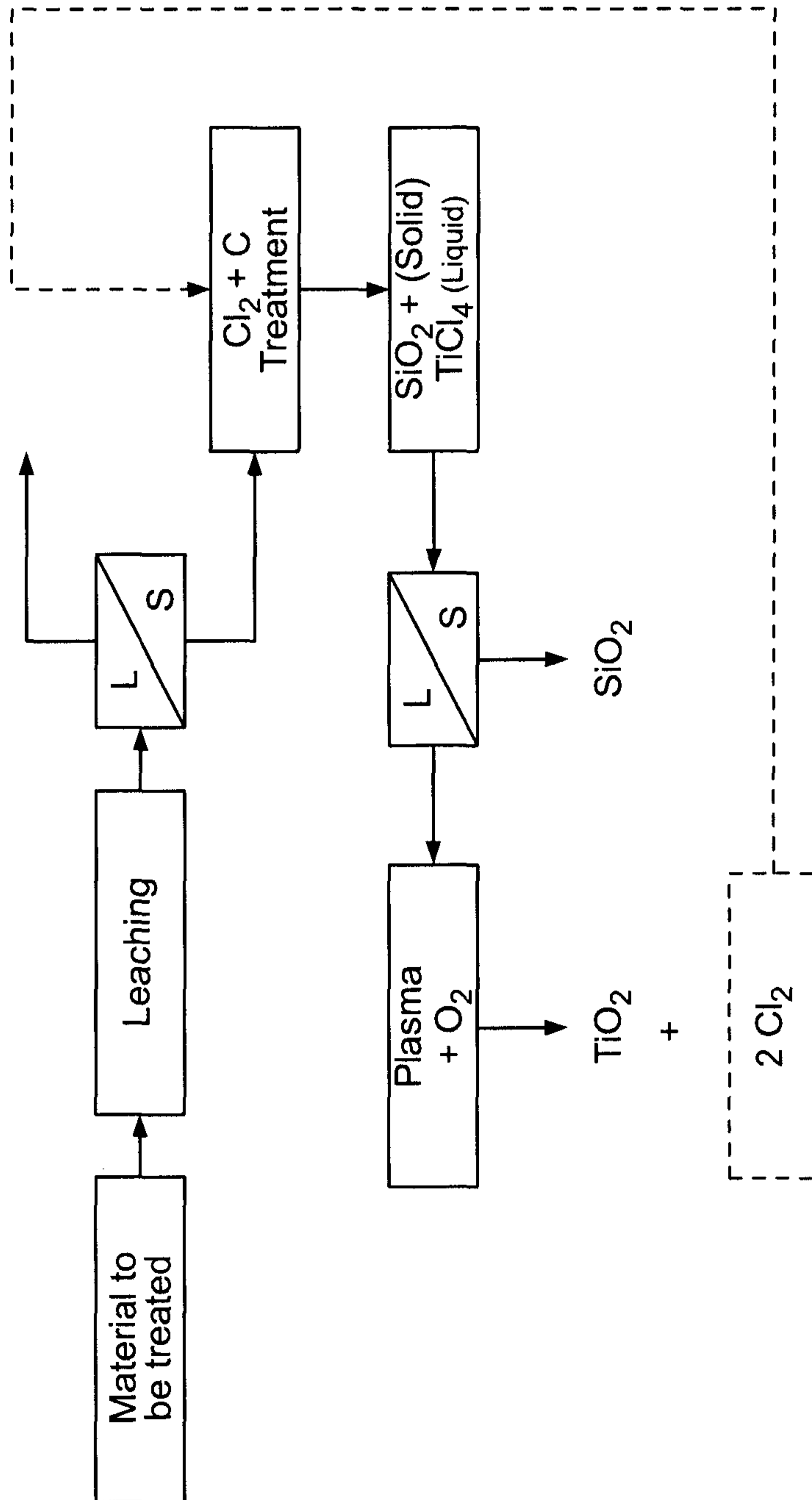


FIG. 10B

12/20

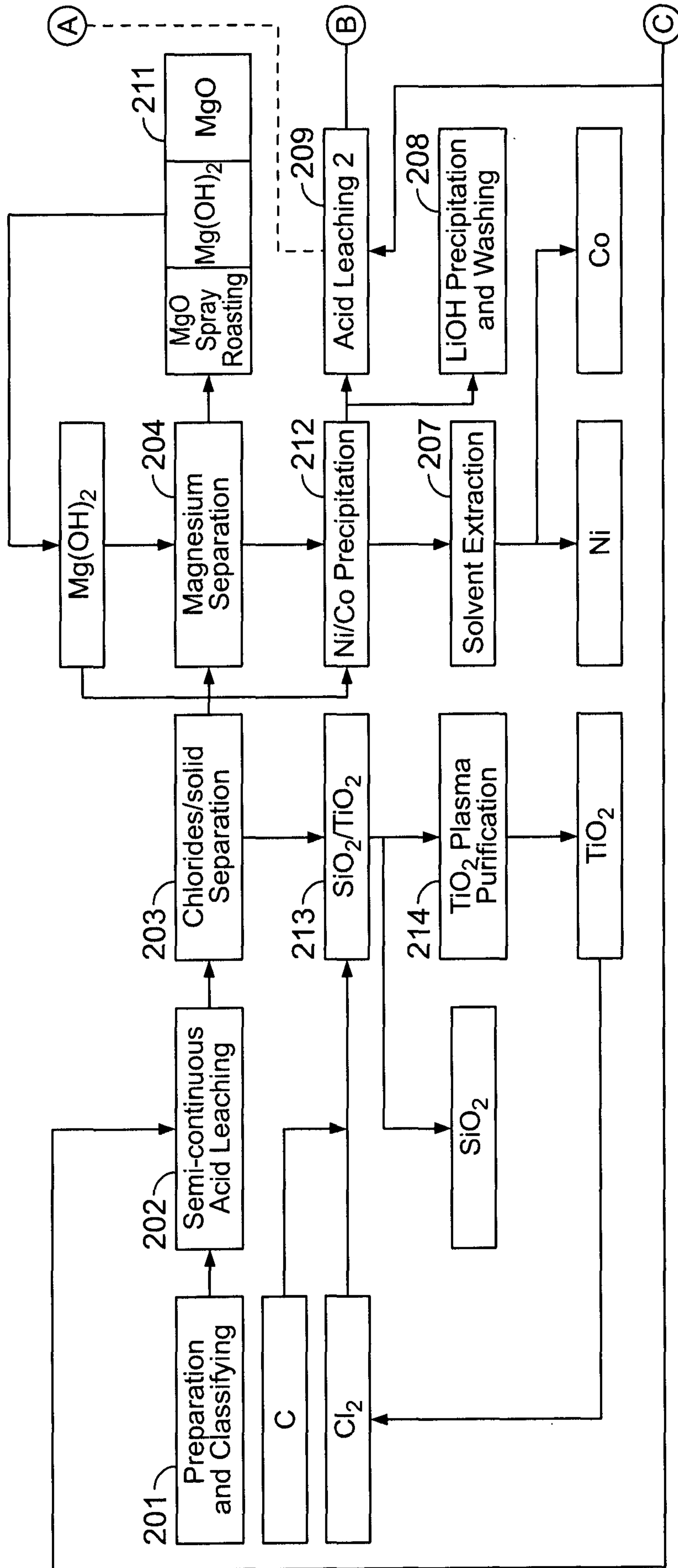


FIG. 11A

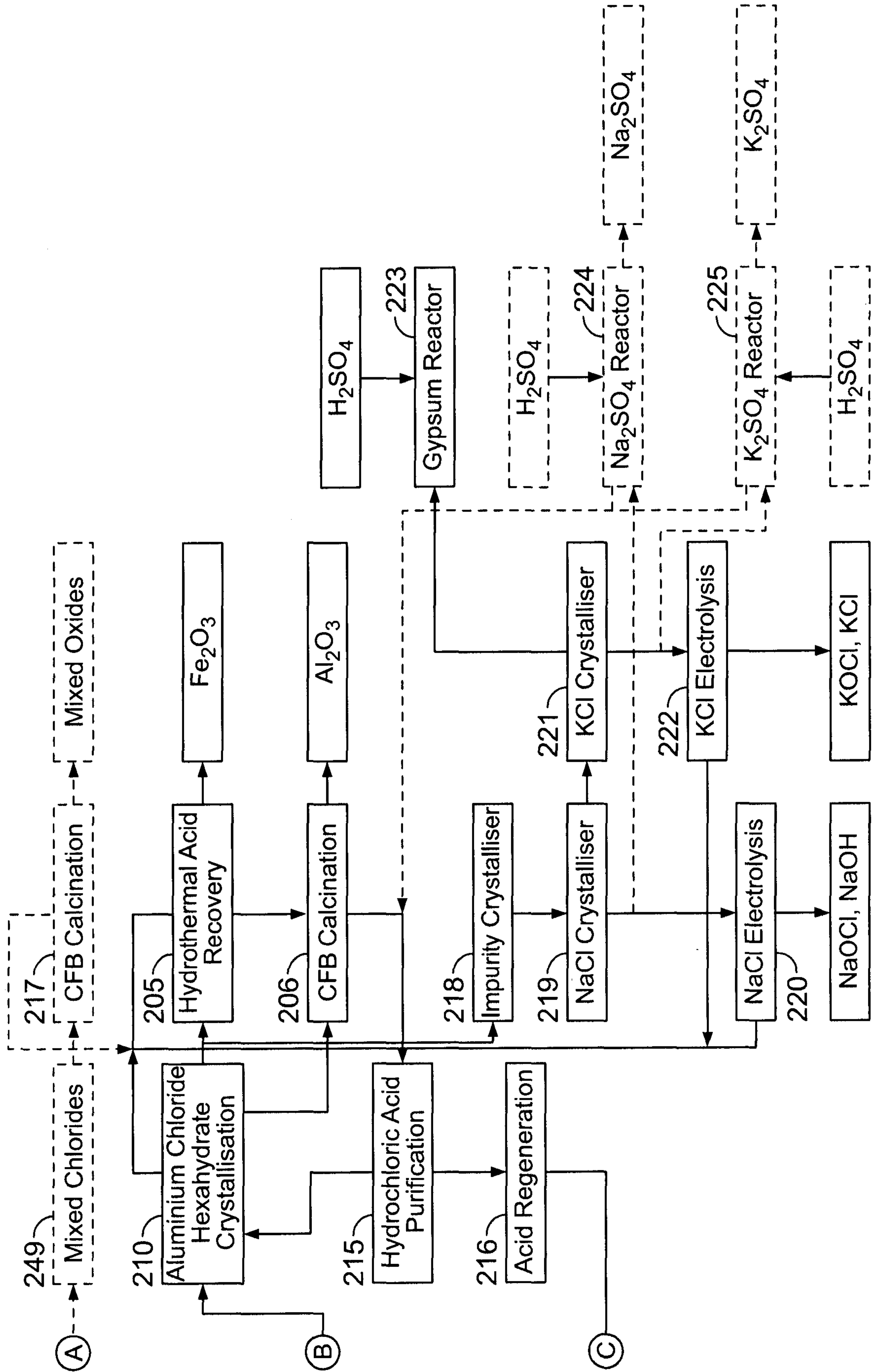


FIG. 11B

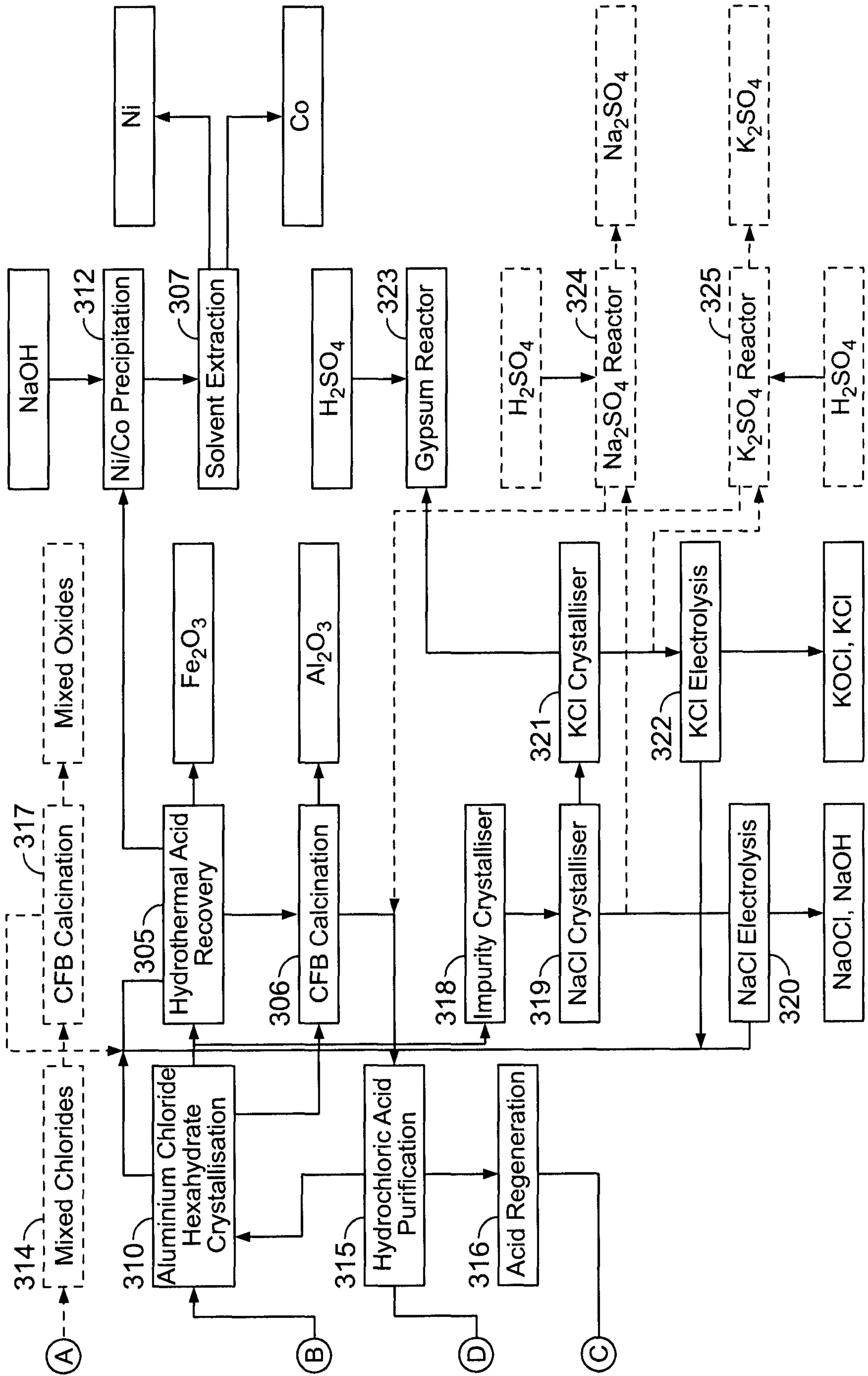


FIG. 12B

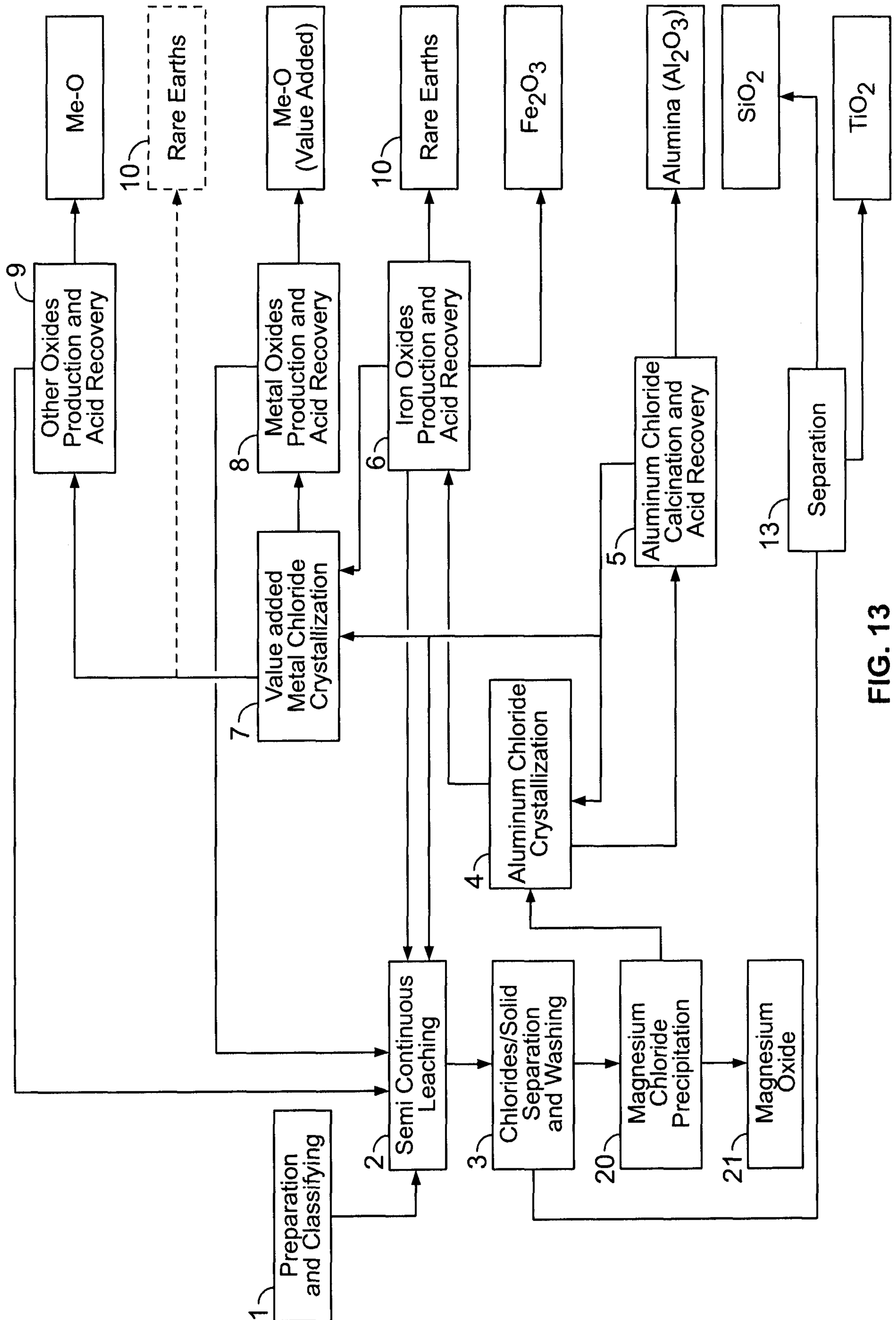


FIG. 13

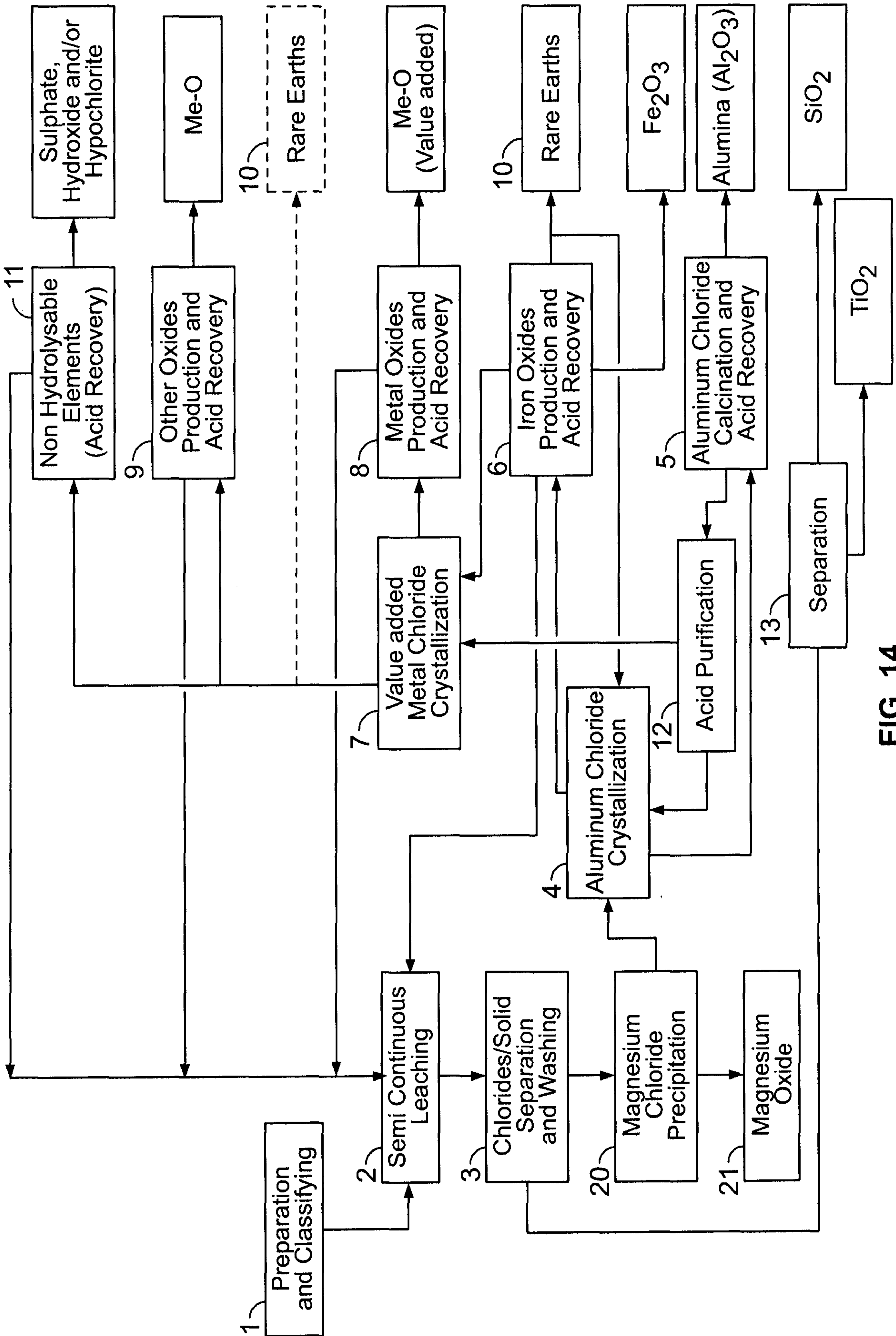


FIG. 14

18/20

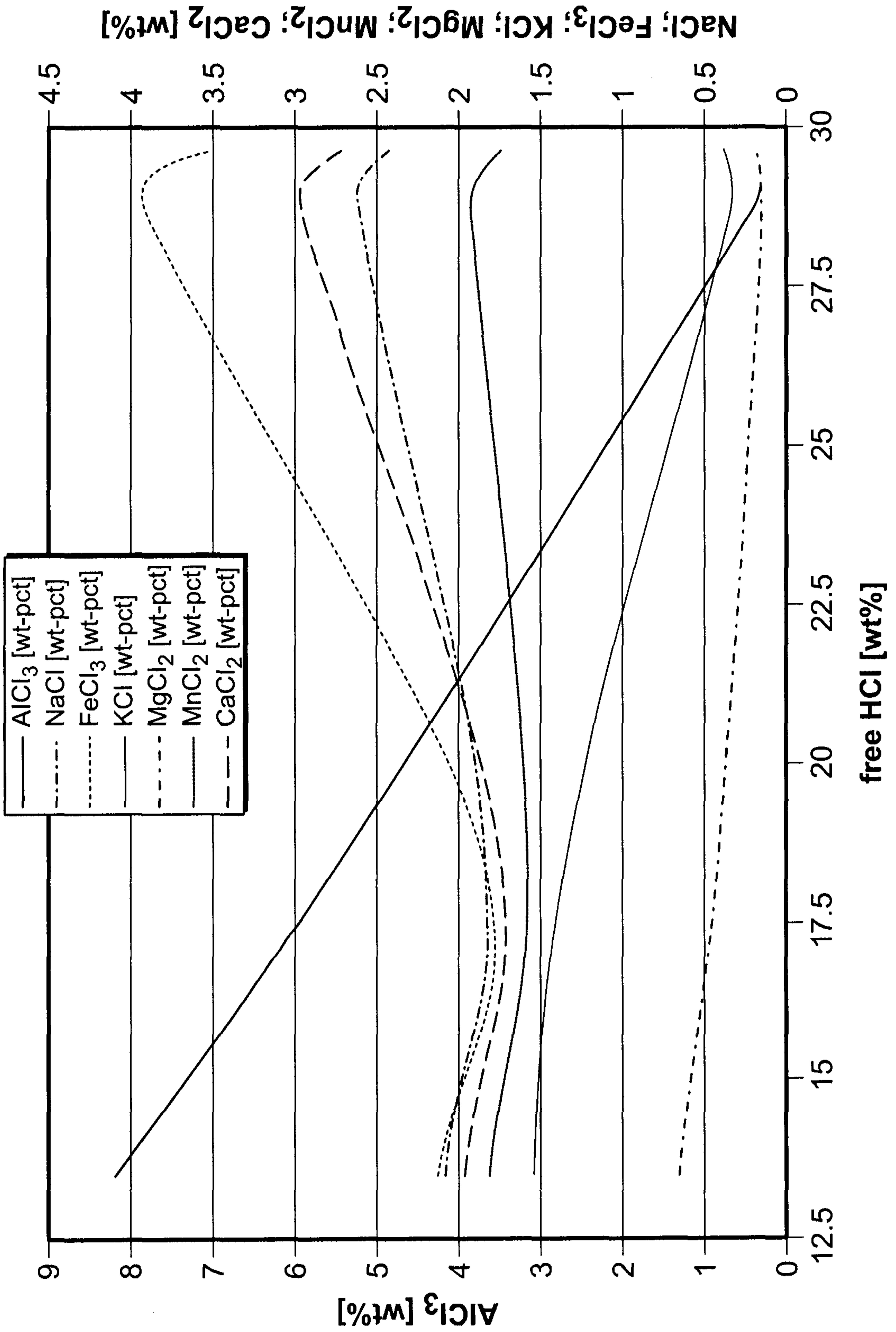


FIG. 15

19/20

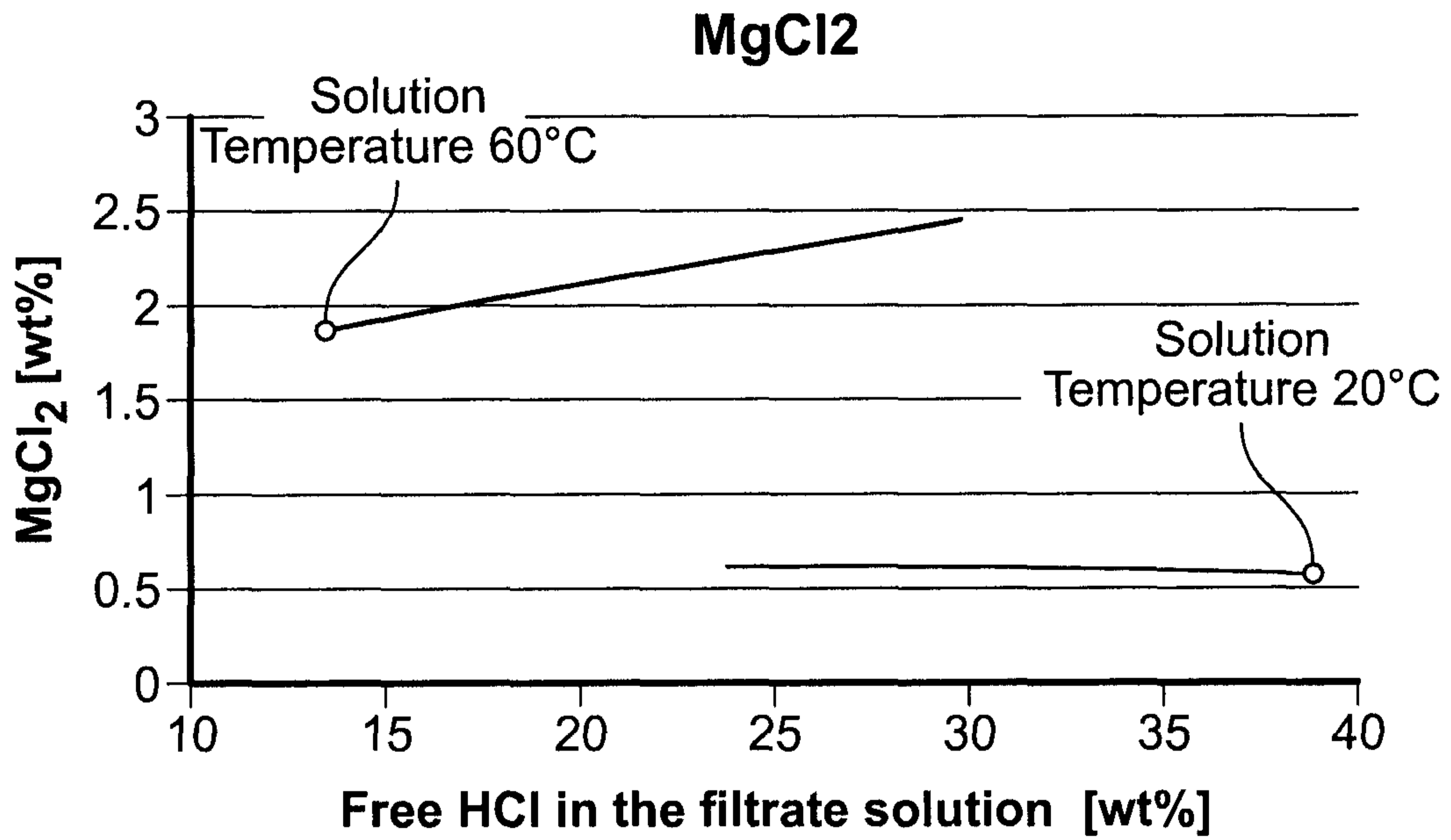


FIG. 16

Solubilities of the single chlorides in the filtrate versus HCl amount

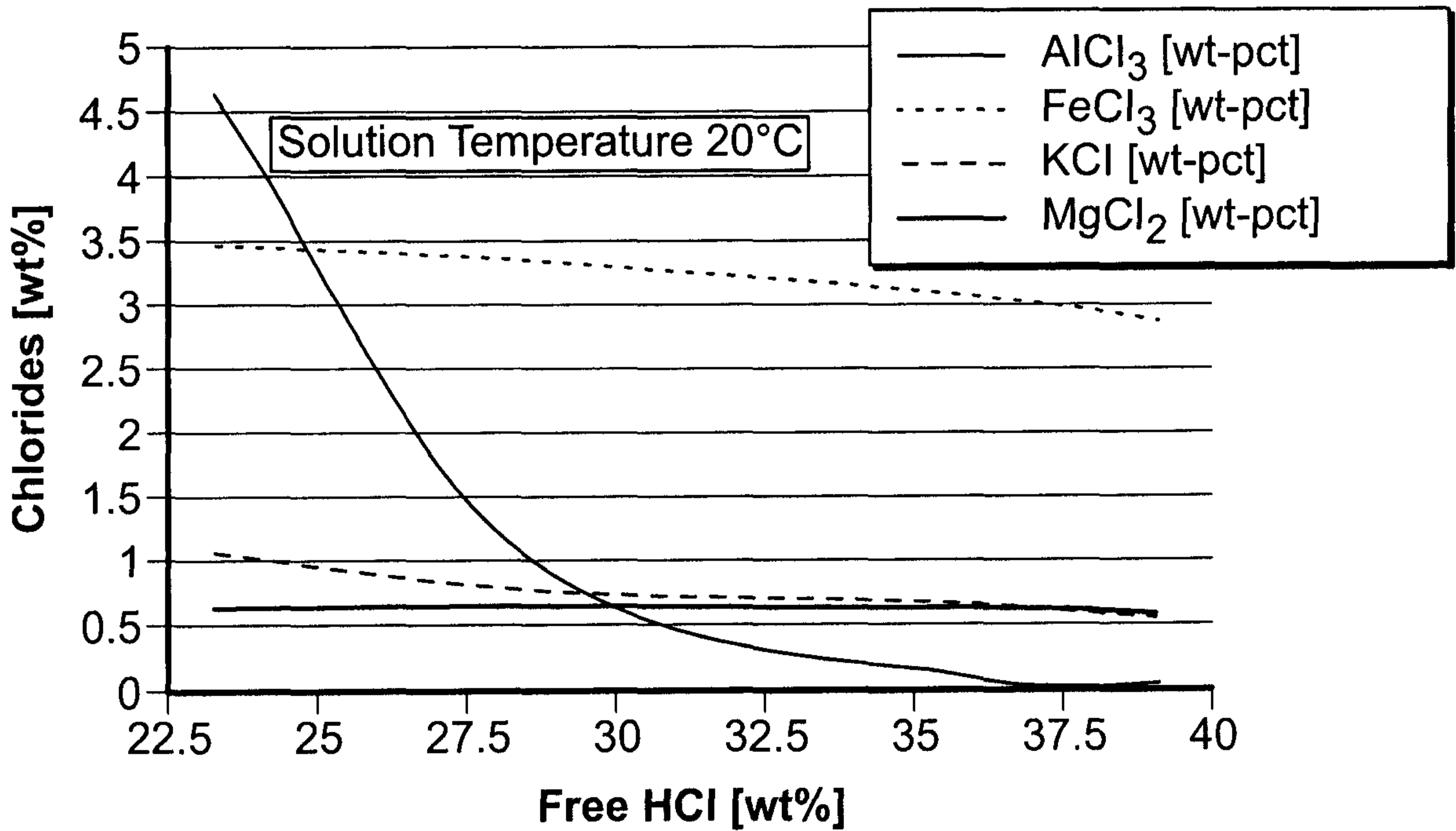


FIG. 17

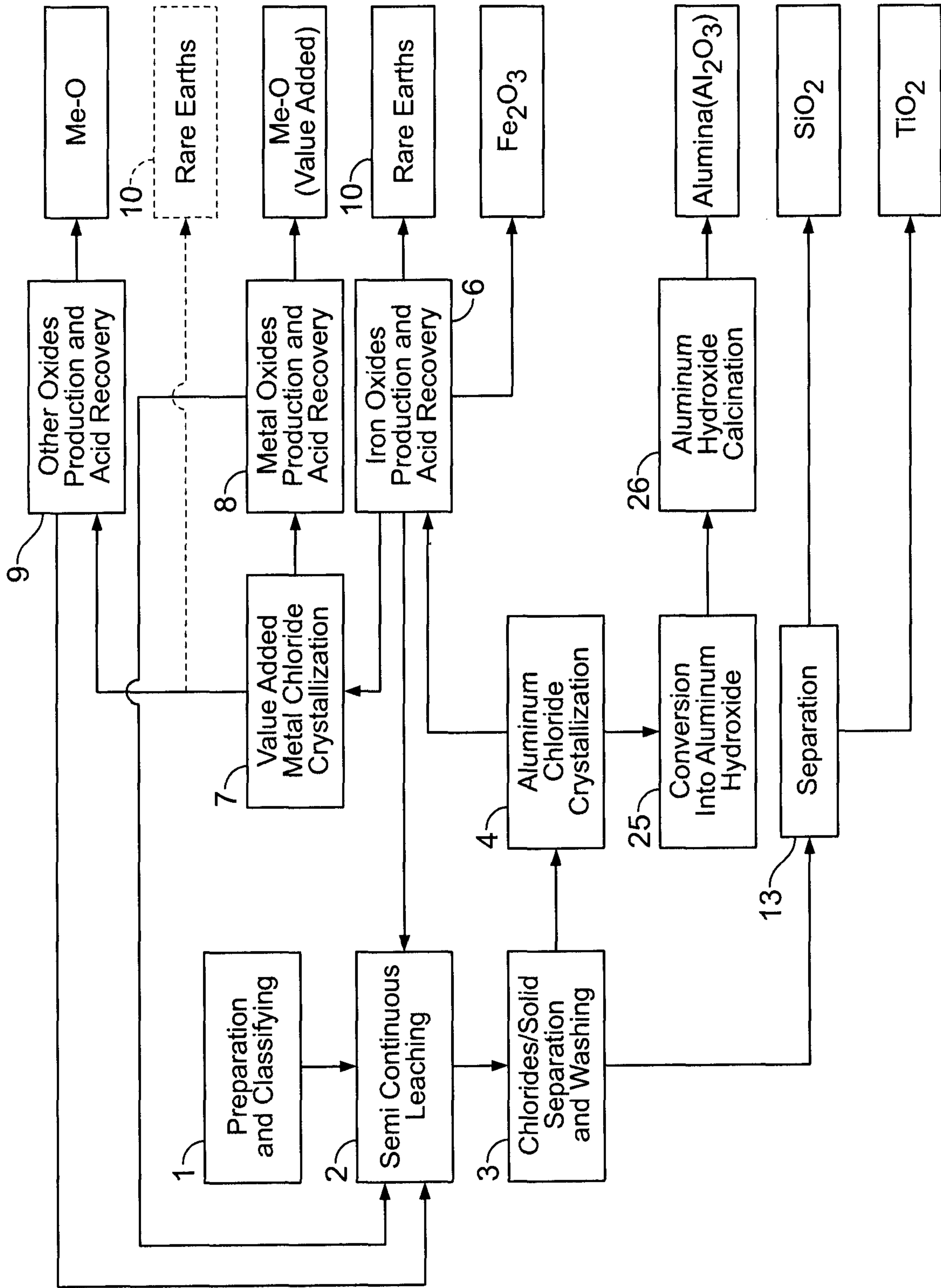


FIG. 18

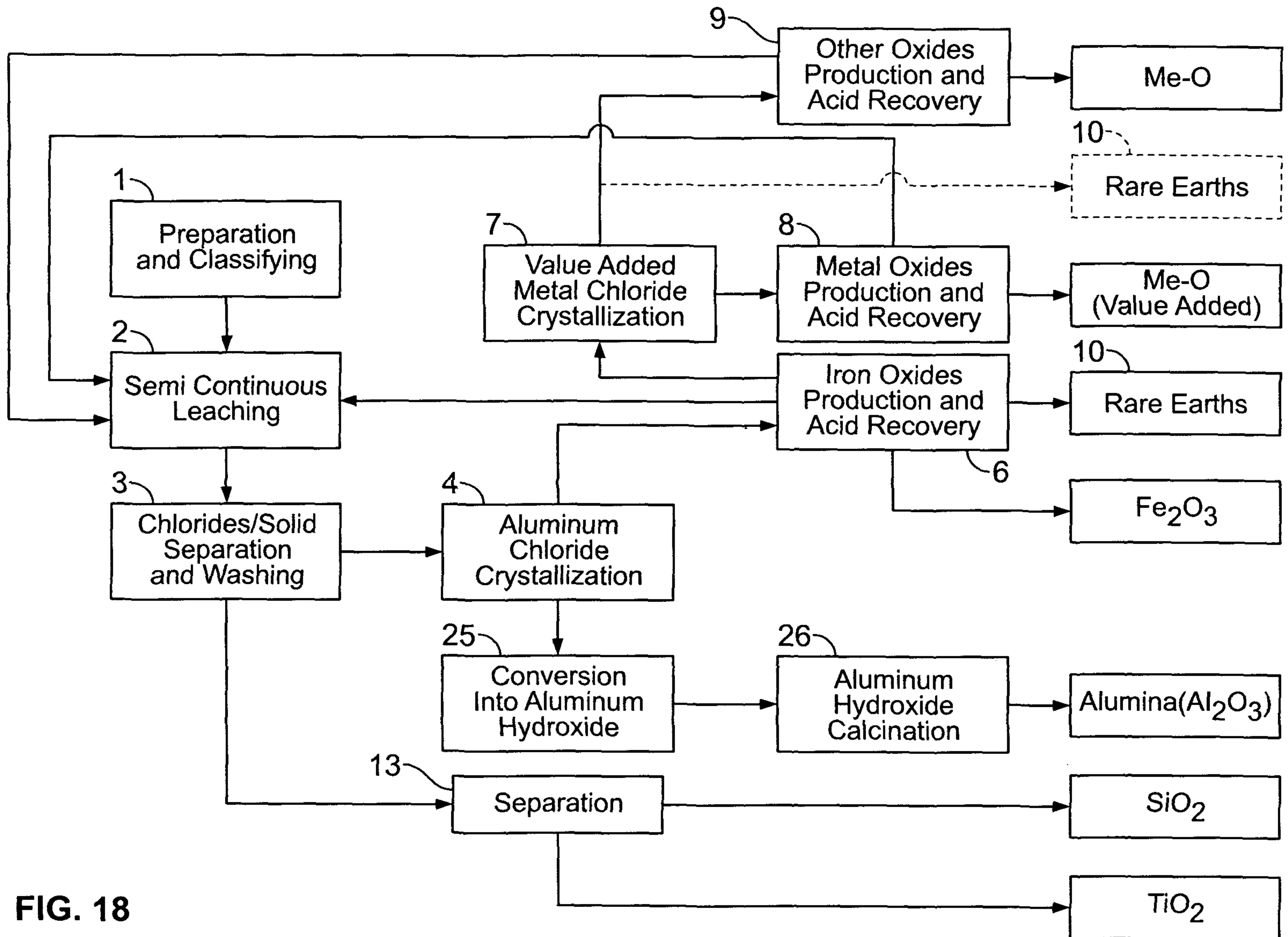


FIG. 18