



US00D858498S

(12) **United States Design Patent**
Busl

(10) **Patent No.:** **US D858,498 S**

(45) **Date of Patent:** **** Sep. 3, 2019**

- (54) **CONTROL ELEMENT**
- (71) Applicant: **LOGICDATA Electronic & Software Entwicklungs GmbH, Deutschlandsberg (AT)**
- (72) Inventor: **Florian Busl, München (DE)**
- (73) Assignee: **LOGICDATA Electronic & Software Entwicklungs GmbH, Deutschlandsberg (AT)**
- (**) Term: **15 Years**
- (21) Appl. No.: **29/644,693**
- (22) Filed: **Apr. 19, 2018**
- (51) **LOC (12) Cl.** **14-03**
- (52) **U.S. Cl.**
USPC **D14/240; D14/358**
- (58) **Field of Classification Search**
USPC D13/110, 168; D10/104.1, 104.2; D14/240, 242, 356, 357, 358, 388, 496
CPC ... H04W 84/02; H04W 84/04; H04W 84/042; H04W 84/045; H04W 84/047; H04W 84/105; H04W 88/00; H04W 88/005; H04W 88/08; H04W 88/085; H04W 88/10; H04W 88/12; H05K 5/0217
See application file for complete search history.

D472,235	S	*	3/2003	Chen	D14/240
D492,946	S	*	7/2004	Loiske	D14/240
D523,854	S	*	6/2006	Rinna	D14/358
D560,173	S	*	1/2008	Chang	D13/168
D566,115	S	*	4/2008	Swanson	D14/240
D598,449	S	*	8/2009	Landry	D14/358
D616,815	S	*	6/2010	Jadraque Aznarez	D13/110
D621,391	S	*	8/2010	Douglas	D14/240
D657,755	S	*	4/2012	Onoda	D13/168
D685,773	S	*	7/2013	Katarow	D14/240
D797,712	S	*	9/2017	Chang	D14/240
D809,493	S	*	2/2018	Konotopskyi	D14/242
D824,330	S	*	7/2018	Hao	D13/110
D828,342	S	*	9/2018	Chen	D14/240
D830,869	S	*	10/2018	Siminoff	D10/106.1
2015/0256355	A1	*	9/2015	Pera	H04L 12/2803 700/90
2017/0093625	A1	*	3/2017	Pera	H04L 41/0813
2018/0270901	A1	*	9/2018	Charette	H01Q 9/42
2019/0097976	A1	*	3/2019	Elsins	H04L 63/0272

* cited by examiner

Primary Examiner — Selina Sikder
(74) *Attorney, Agent, or Firm* — Slater Matsil, LLP

(57) **CLAIM**

The ornamental design for a control element, as shown and described.

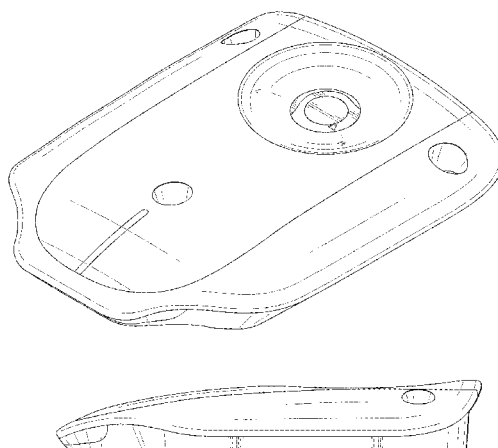
DESCRIPTION

FIG. 1 is a front perspective view of a control element; FIG. 2 is a front view thereof; FIG. 3 is a back view thereof; FIG. 4 is a right side view thereof; FIG. 5 is a left side view thereof; FIG. 6 is a top view thereof; and, FIG. 7 is a bottom view thereof.

The broken line portions of the figure drawings are included to show unclaimed subject matter only and form no part of the claimed design.

1 Claim, 5 Drawing Sheets

- (56) **References Cited**
U.S. PATENT DOCUMENTS
- D368,097 S * 3/1996 Heberling D14/242
- D384,672 S * 10/1997 Heberling D14/242
- D420,362 S * 2/2000 Pedraza D14/242
- D437,314 S * 2/2001 DeLeon D14/242
- D437,592 S * 2/2001 DeLeon D14/242
- D448,375 S * 9/2001 Walters D14/368
- D452,863 S * 1/2002 Madsen D14/433
- D463,417 S * 9/2002 Chan D14/242
- D470,839 S * 2/2003 Tuhkanen D14/240



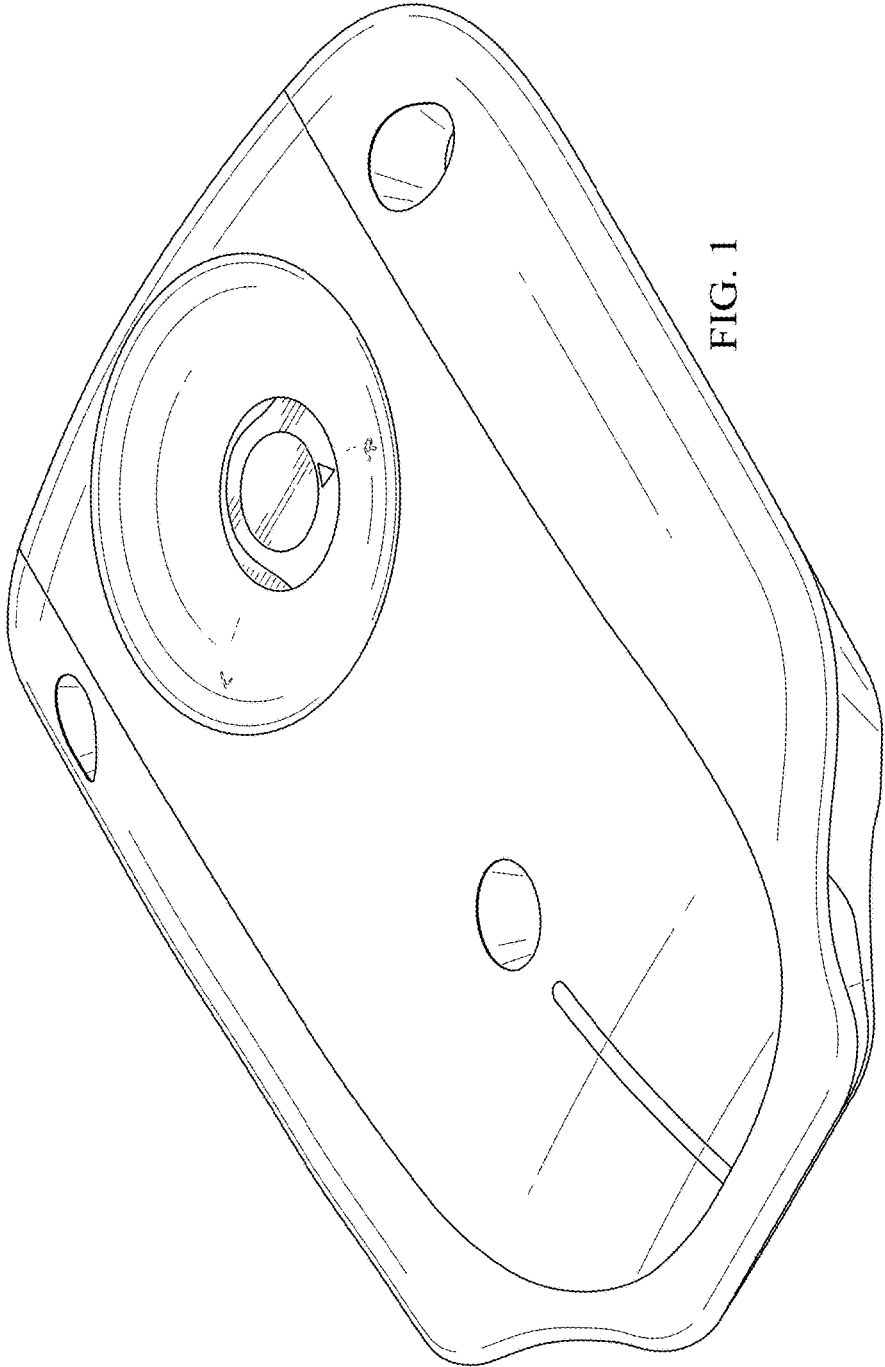


FIG. 1

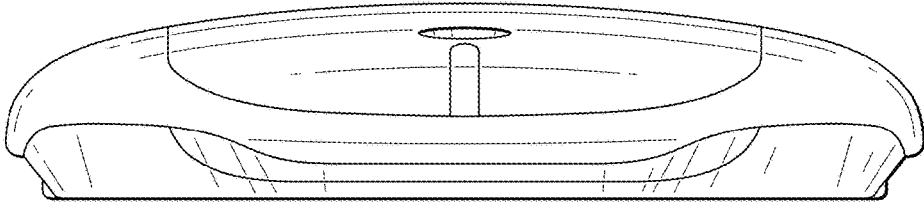


FIG. 2

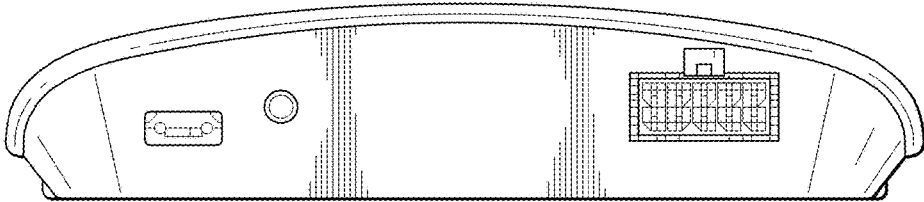


FIG. 3

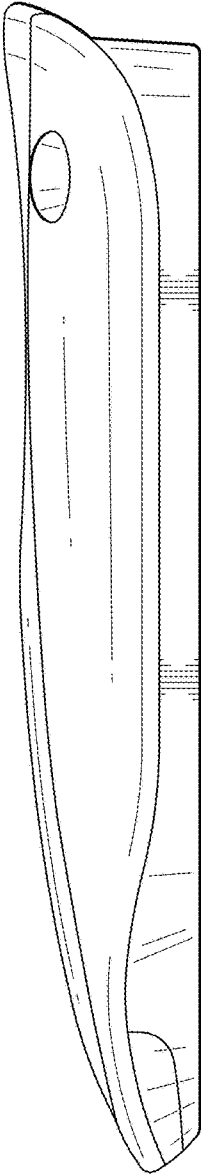


FIG. 4

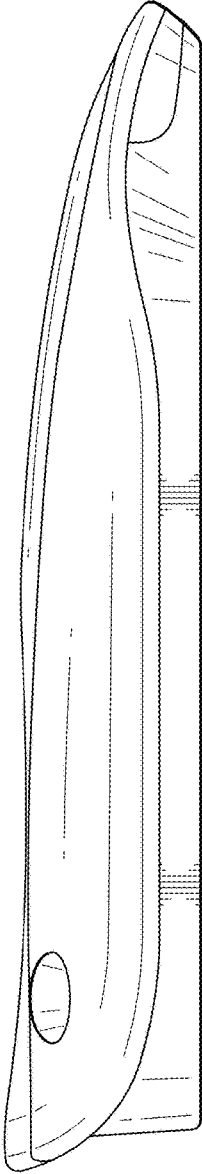


FIG. 5

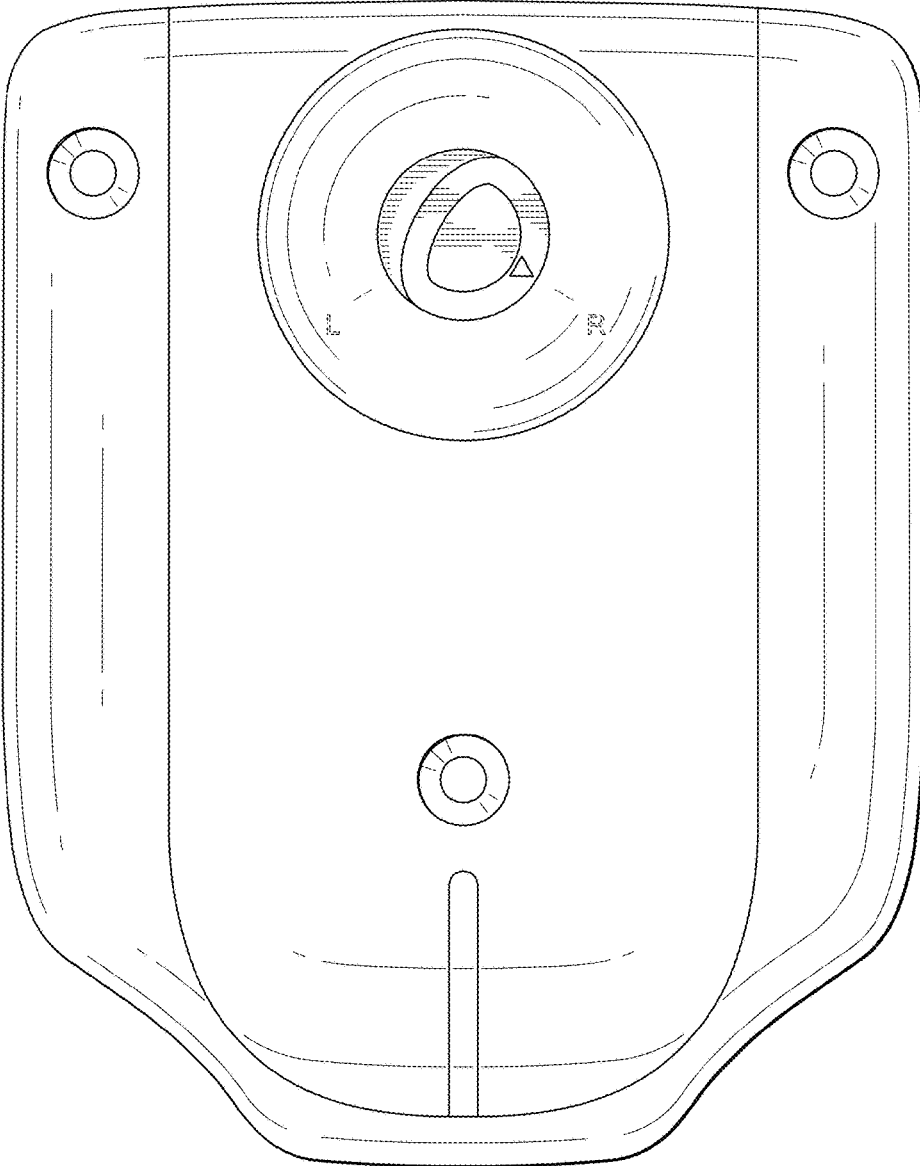


FIG. 6

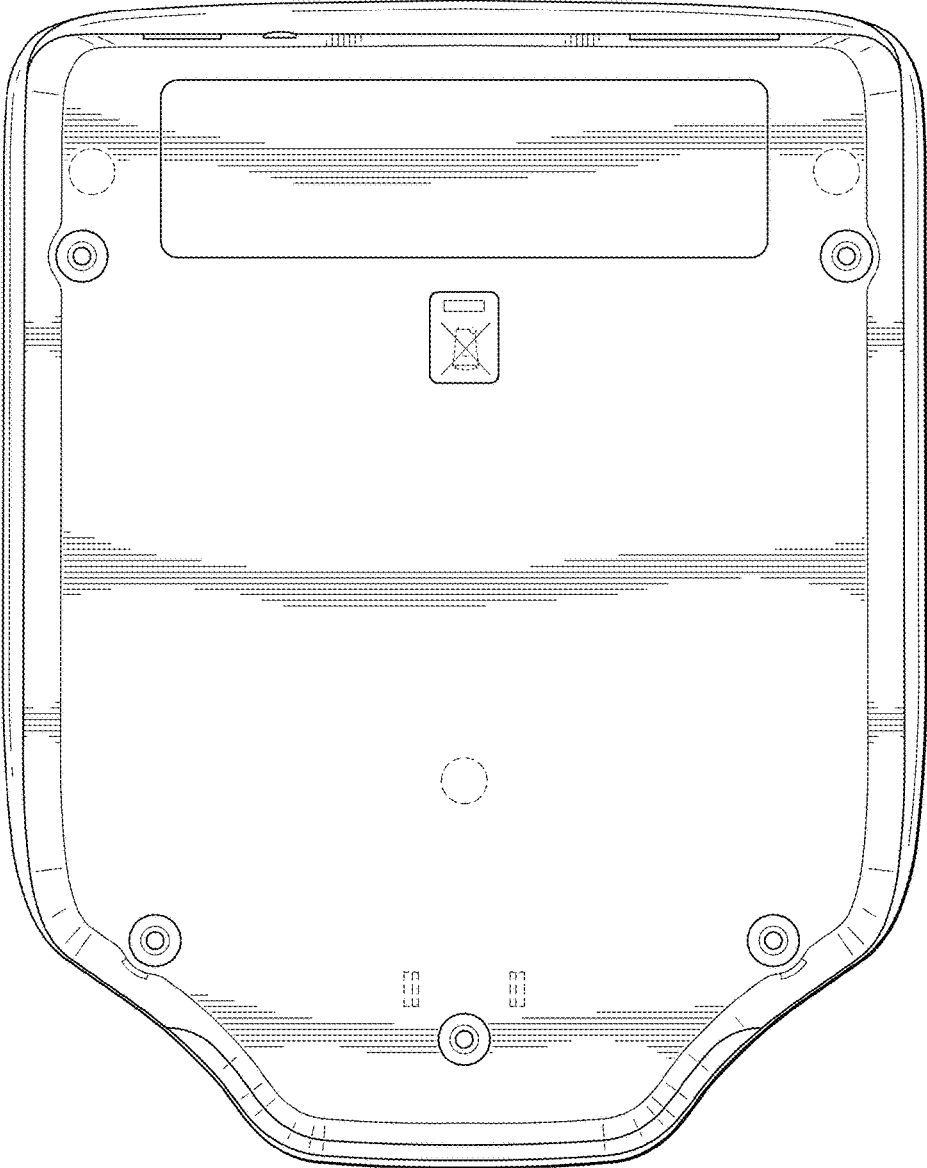


FIG. 7