



US00D756094S

(12) **United States Design Patent**  
**Nyssen**

(10) **Patent No.:** **US D756,094 S**

(45) **Date of Patent:** **\*\* May 17, 2016**

(54) **SHOE SOLE**

(71) Applicant: **New Balance Athletic Shoe, Inc.**,  
Boston, MA (US)

(72) Inventor: **Andrew J. Nyssen**, Atkinson, NH (US)

(73) Assignee: **New Balance Athletics, Inc.**, Boston,  
MA (US)

(\*\*) Term: **14 Years**

(21) Appl. No.: **29/481,640**

(22) Filed: **Feb. 7, 2014**

(51) **LOC (10) Cl.** ..... **02-04**

(52) **U.S. Cl.**

USPC ..... **D2/958**; D2/951; D2/957; D2/959

(58) **Field of Classification Search**

USPC ..... D2/902, 906, 908, 916, 918, 925,  
D2/946-962, 977; 36/3 B, 22 R, 24.5, 25 R,  
36/28, 32 R, 34 R, 59 C, 67 A, 103  
CPC ..... A43B 13/00; A43B 13/02; A43B 13/023;  
A43B 13/026; A43B 13/04; A43B 13/08;  
A43B 13/10; A43B 13/12; A43B 13/14;  
A43B 13/141; A43B 13/143; A43B 13/16;  
A43B 13/18; A43B 13/181; A43B 13/187;  
A43B 13/189; A43B 13/20; A43B 13/22;  
A43B 13/223; A43B 13/24; A43B 13/28;  
A43B 13/30; A43B 13/32; A43B 13/34;  
A43B 13/36

See application file for complete search history.

(56) **References Cited**

**U.S. PATENT DOCUMENTS**

4,180,923 A 1/1980 Dassler  
4,235,026 A 11/1980 Plagenhoef

(Continued)

**OTHER PUBLICATIONS**

International Search Report and Written Opinion for International Application No. PCT/US2015/015572 mailed Jun. 10, 2015, 16 pages.

*Primary Examiner* — T. Chase Nelson

(74) *Attorney, Agent, or Firm* — Goodwin Procter LLP

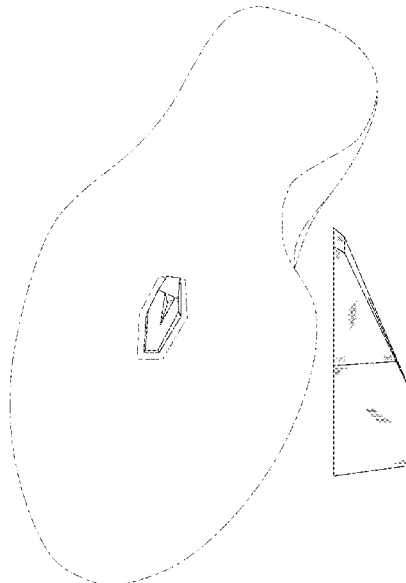
(57) **CLAIM**

The ornamental design for a shoe sole, as shown and described.

**DESCRIPTION**

FIG. 1 is a plan view of a shoe sole;  
FIG. 2 is a front perspective view of the shoe sole of FIG. 1;  
FIG. 3 is a rear perspective view of the shoe sole of FIG. 1;  
FIG. 4 is an enlarged front view of the shoe sole of FIGS. 1 through 3, but with unclaimed environmental structure omitted for purposes of enlargement;  
FIG. 5 is a left side view of the shoe sole of FIG. 4;  
FIG. 6 is an enlarged plan view of the shoe sole of FIG. 1, but with unclaimed environmental structure omitted for purposes of enlargement;  
FIG. 7 is a right side view of the shoe sole of FIG. 4;  
FIG. 8 is a rear view of the shoe sole of FIG. 4;  
FIG. 9 is an enlarged second front perspective view of the shoe sole of FIG. 2, but with unclaimed environmental structure omitted for purposes of enlargement;  
FIG. 10 is an enlarged third front perspective view of the shoe sole of FIG. 2, but with unclaimed environmental structure omitted for purposes of enlargement; and  
FIG. 11 is a plan view of a shoe sole shown in an alternate environment from that of FIG. 1.  
A portion of a shoe sole is shown in FIGS. 1-11. The broken lines depict environmental structure that is included for illustrative purposes only and forms no part of the claimed design.

**1 Claim, 5 Drawing Sheets**



(56)

References Cited

U.S. PATENT DOCUMENTS

4,283,865 A 8/1981 Dassler  
 D271,251 S 11/1983 Norton  
 4,445,286 A 5/1984 Norton  
 4,535,553 A 8/1985 Derderian et al.  
 D306,652 S \* 3/1990 Kiyosawa ..... D2/957  
 5,084,987 A 2/1992 Flemming  
 D325,293 S \* 4/1992 Kiyosawa et al. .... D2/949  
 5,134,790 A 8/1992 Woitschaetzke et al.  
 5,152,081 A 10/1992 Hallenbeck et al.  
 5,174,049 A 12/1992 Flemming  
 5,197,206 A 3/1993 Shorten  
 5,197,207 A 3/1993 Shorten  
 5,201,125 A 4/1993 Shorten  
 D339,462 S \* 9/1993 Kiyosawa et al. .... D2/959  
 D341,481 S \* 11/1993 Peterson ..... D2/959  
 5,279,051 A 1/1994 Whatley  
 5,353,526 A 10/1994 Foley et al.  
 D354,845 S \* 1/1995 Bramani ..... D2/957  
 5,381,607 A 1/1995 Sussmann  
 D355,754 S \* 2/1995 Brandon ..... D2/951  
 D373,897 S \* 9/1996 Takatani et al. .... D2/957  
 5,806,209 A \* 9/1998 Crowley et al. .... 36/28  
 D404,547 S \* 1/1999 Strawser et al. .... D2/953  
 D460,608 S \* 7/2002 Laberge et al. .... D2/957  
 D481,528 S \* 11/2003 St-Louis ..... D2/960  
 6,705,027 B1 3/2004 Campbell  
 D490,596 S \* 6/2004 Belley et al. .... D2/957

D495,480 S \* 9/2004 Laberge ..... D2/960  
 D499,536 S \* 12/2004 Castleberry ..... D2/960  
 6,920,705 B2 7/2005 Lucas et al.  
 7,096,603 B2 8/2006 Fusco  
 7,153,560 B2 12/2006 Hofmann  
 D561,439 S \* 2/2008 Schoenborn et al. .... D2/957  
 D566,938 S \* 4/2008 Matis et al. .... D2/957  
 7,475,497 B2 1/2009 Hoffer et al.  
 7,571,556 B2 8/2009 Hardy et al.  
 D617,085 S \* 6/2010 Recchi et al. .... D2/957  
 D620,243 S \* 7/2010 McClaskie ..... D2/957  
 7,774,954 B2 8/2010 Hoffer et al.  
 D635,754 S \* 4/2011 Mariman ..... D2/959  
 D655,902 S \* 3/2012 Debiase ..... D2/957  
 D663,518 S \* 7/2012 McClaskie ..... D2/957  
 D664,343 S \* 7/2012 McClaskie ..... D2/957  
 8,246,881 B2 \* 8/2012 Maranan et al. .... 264/250  
 D677,453 S \* 3/2013 Sakai ..... D2/959  
 D677,455 S \* 3/2013 Pizzuti ..... D2/960  
 8,732,982 B2 5/2014 Sullivan et al.  
 D717,034 S \* 11/2014 Bramani ..... D2/959  
 2003/0172548 A1 \* 9/2003 Fuerst ..... 36/28  
 2005/0072026 A1 \* 4/2005 Sink ..... 36/127  
 2005/0155255 A1 7/2005 Wilson et al.  
 2006/0005423 A1 \* 1/2006 Wu ..... 36/3 B  
 2007/0033833 A1 2/2007 Chang et al.  
 2007/0119076 A1 5/2007 Brewer et al.  
 2010/0170106 A1 \* 7/2010 Brewer et al. .... 36/28  
 2012/0000095 A1 \* 1/2012 Torrance ..... 36/132  
 2015/0223560 A1 \* 8/2015 Wawrousek et al.

\* cited by examiner

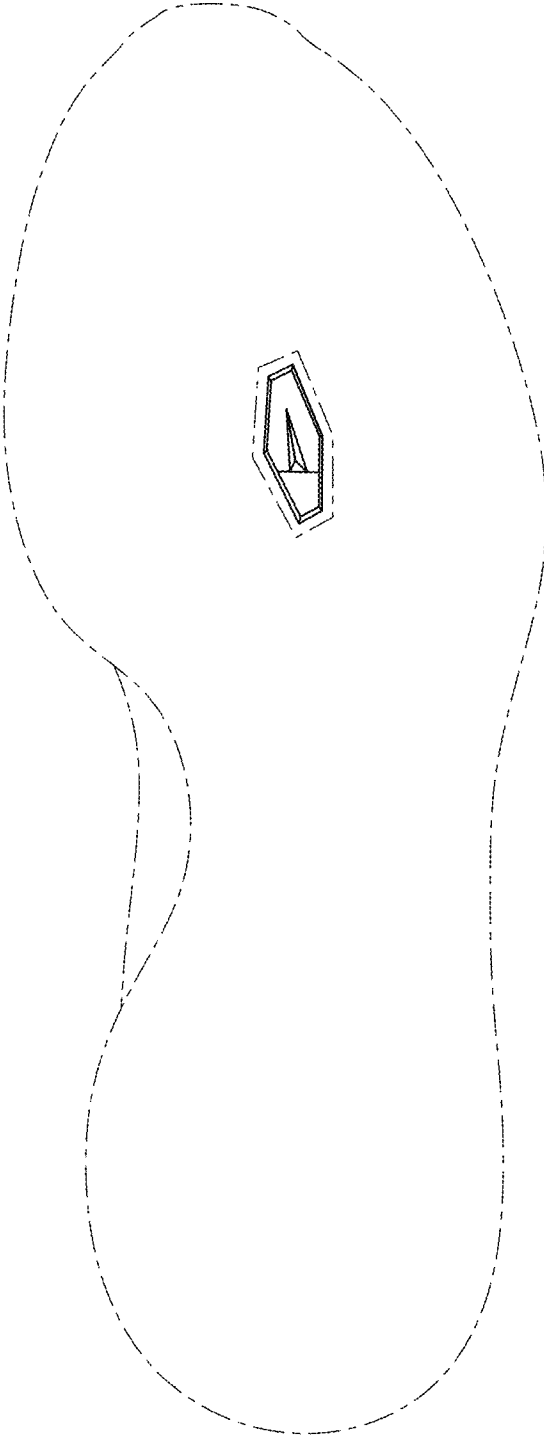


FIG. 1

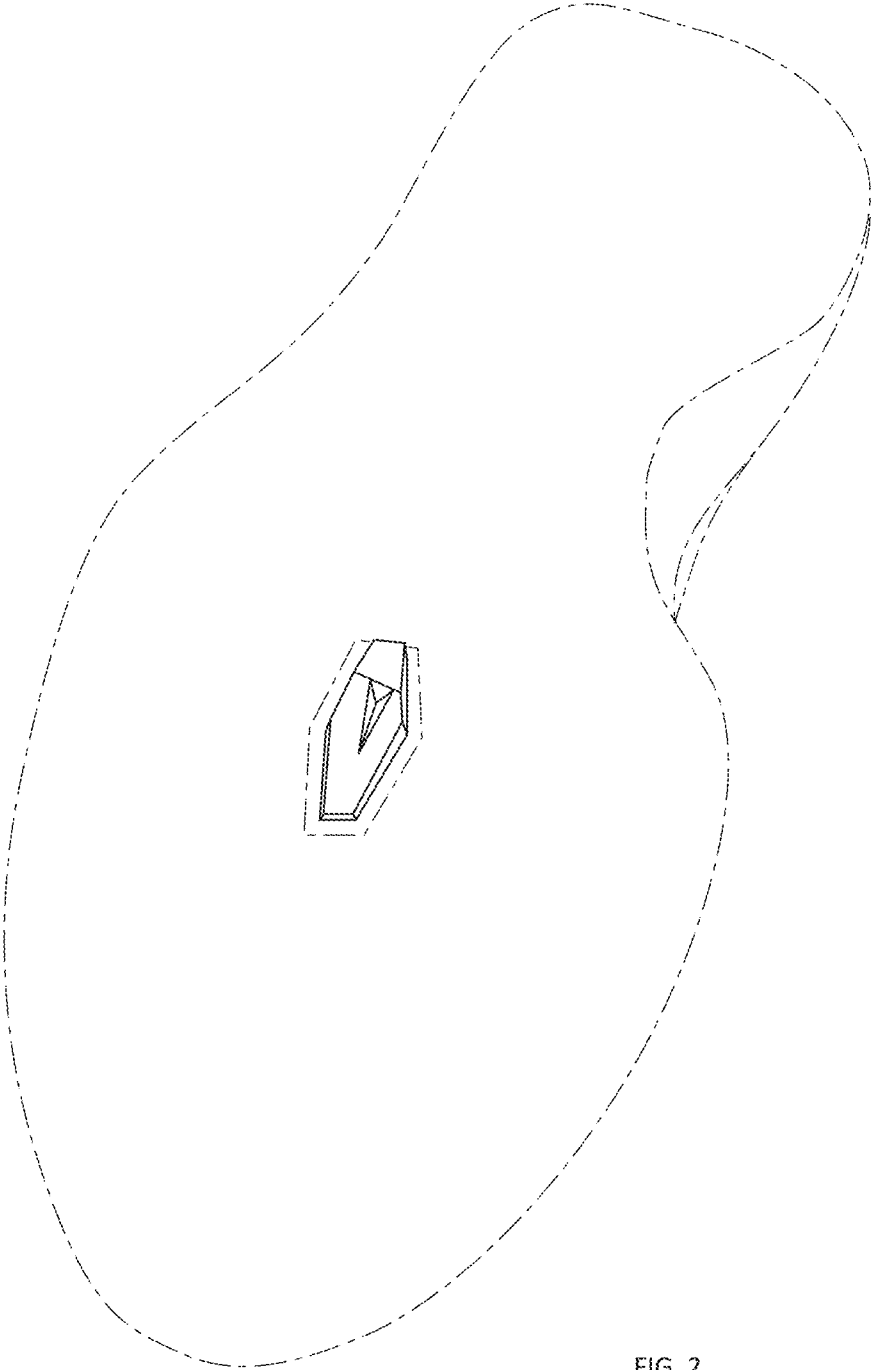


FIG. 2



FIG. 3

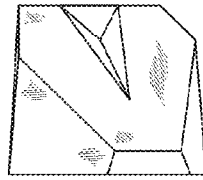


FIG. 4

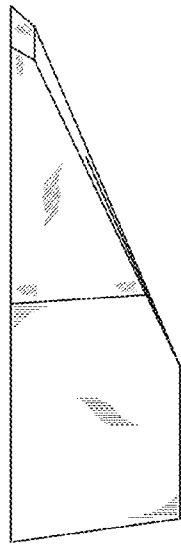


FIG. 5

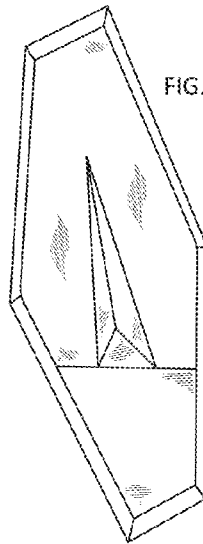


FIG. 6

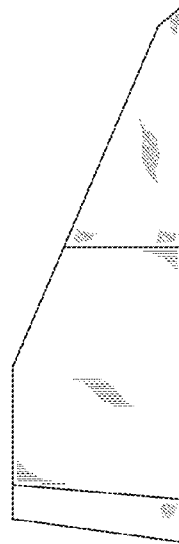


FIG. 7

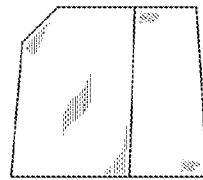


FIG. 8

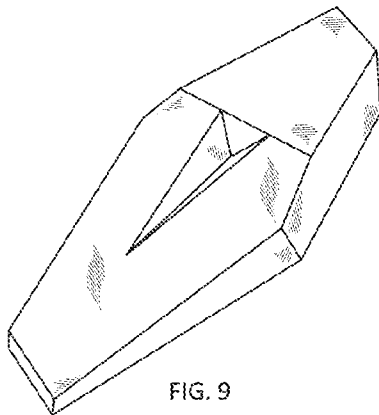


FIG. 9

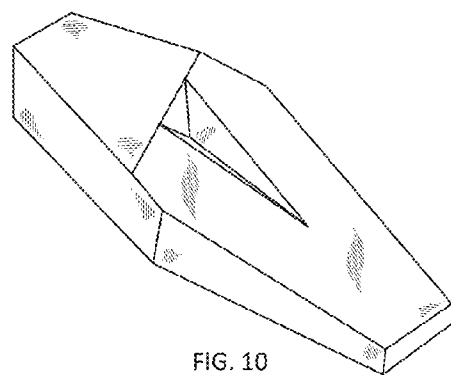


FIG. 10

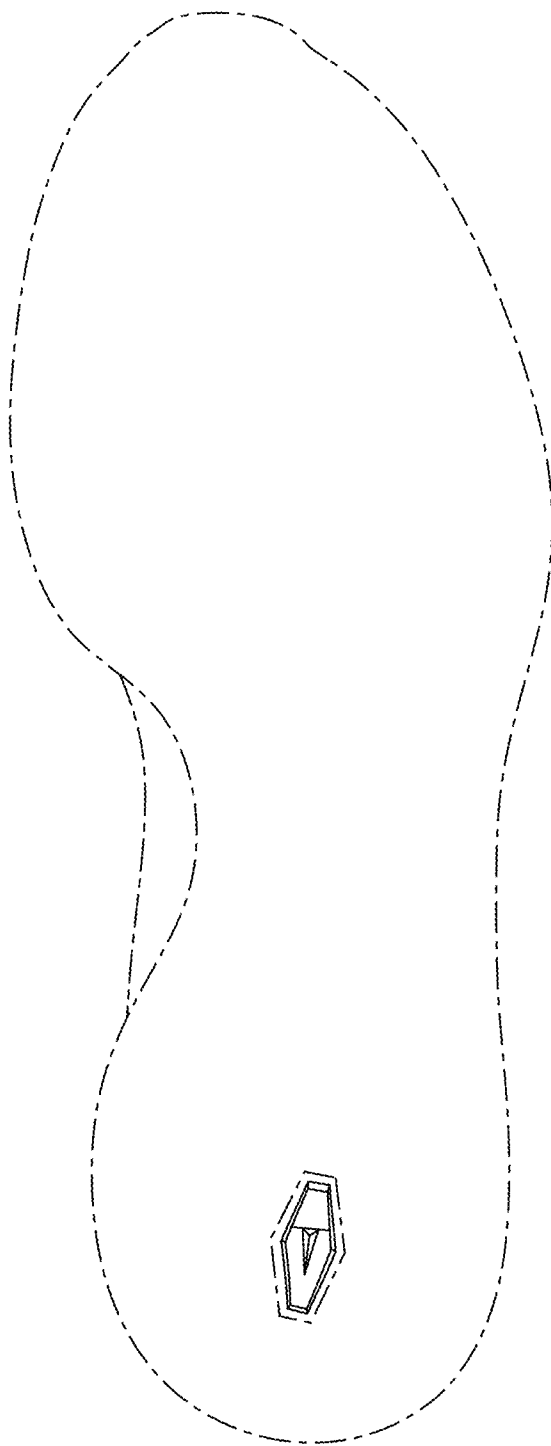


FIG. 11