



US00D773229S

(12) **United States Design Patent** (10) **Patent No.:** **US D773,229 S**
Jaggard et al. (45) **Date of Patent:** **** Dec. 6, 2016**

(54) **GRILL**
(71) Applicant: **TEXAS CUSTOM GRILLS, LLC,**
Katy, TX (US)
(72) Inventors: **Hunter Ryan Jaggard,** Katy, TX (US);
Griffin Tyler Jaggard, Katy, TX (US);
Stephen Hunter Jaggard, Houston, TX
(US); **Stephen Paul Dunn,** Houston,
TX (US)
(73) Assignee: **TCG Partners, LLC,** Katy, TX (US)

D386,936 S * 12/1997 Stone D7/332
6,293,271 B1 * 9/2001 Barbour A47J 37/0704
126/25 R
D462,563 S * 9/2002 Bossler D7/334
D463,195 S * 9/2002 Jimenez D7/332
D463,708 S * 10/2002 Bossler D7/334
D468,952 S * 1/2003 Graham D7/332
D468,953 S * 1/2003 Graham D7/332
D508,365 S * 8/2005 Nipke D7/334
D520,804 S * 5/2006 Lu D7/335
D524,592 S * 7/2006 Brunner D7/332
D638,654 S * 5/2011 Plott D7/332
D702,986 S * 4/2014 Tomalin-Reeves D7/332
2010/0218754 A1 * 9/2010 Kuntz A47J 37/0786
126/25 R

(**) Term: **14 Years**

* cited by examiner

(21) Appl. No.: **29/523,238**

Primary Examiner — Susan Bennett Hattan

(22) Filed: **Apr. 8, 2015**

Assistant Examiner — Brett Miller

(51) **LOC (10) Cl.** **07-02**

(74) *Attorney, Agent, or Firm* — James P. Dossey; Dossey & Jones PLLC

(52) **U.S. Cl.** **D7/334**

(58) **Field of Classification Search**

USPC D7/332-337, 402, 323, 327,
339-341, D7/403; D34/12, 17, 19, 20;
D23/286

CPC A47J 37/0704; A47J 37/0786; A47J 37/0763;
A47J 37/0713; A47J 37/0781; A47J
2037/0777; A47J 33/00; F24C 3/14; F24C
7/10; F24C 15/18; F24C 15/12; F24B
1/207

See application file for complete search history.

(57) **CLAIM**

The ornamental design for a grill, as shown and described.

DESCRIPTION

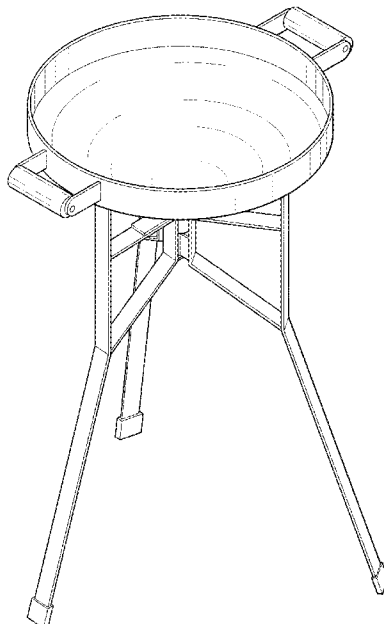
FIG. 1 is a frontal isometric view of an embodiment of the grill disclosed herein;
FIG. 2 is a plain front view of the grill of FIG. 1;
FIG. 3 is a plain back view of the grill of FIG. 1;
FIG. 4 is a plain side view of the grill of FIG. 1;
FIG. 5 is a plain top view of the grill of FIG. 1; and,
FIG. 6 is a plain bottom view of the grill of FIG. 1.

(56) **References Cited**

U.S. PATENT DOCUMENTS

2,932,479 A * 4/1960 Leach A47J 37/0786
108/121
D271,935 S * 12/1983 Conner D7/332

1 Claim, 5 Drawing Sheets



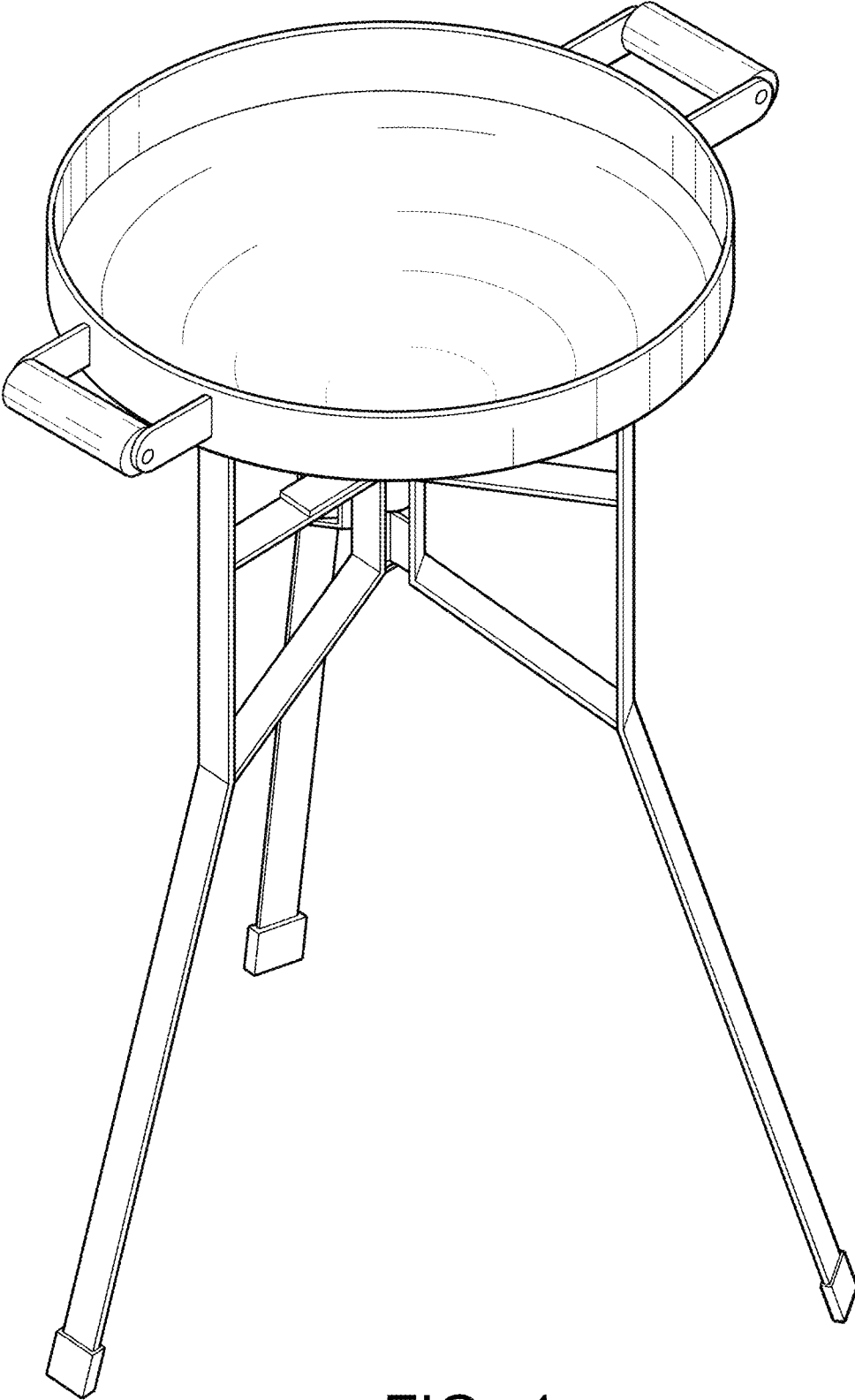


FIG. 1

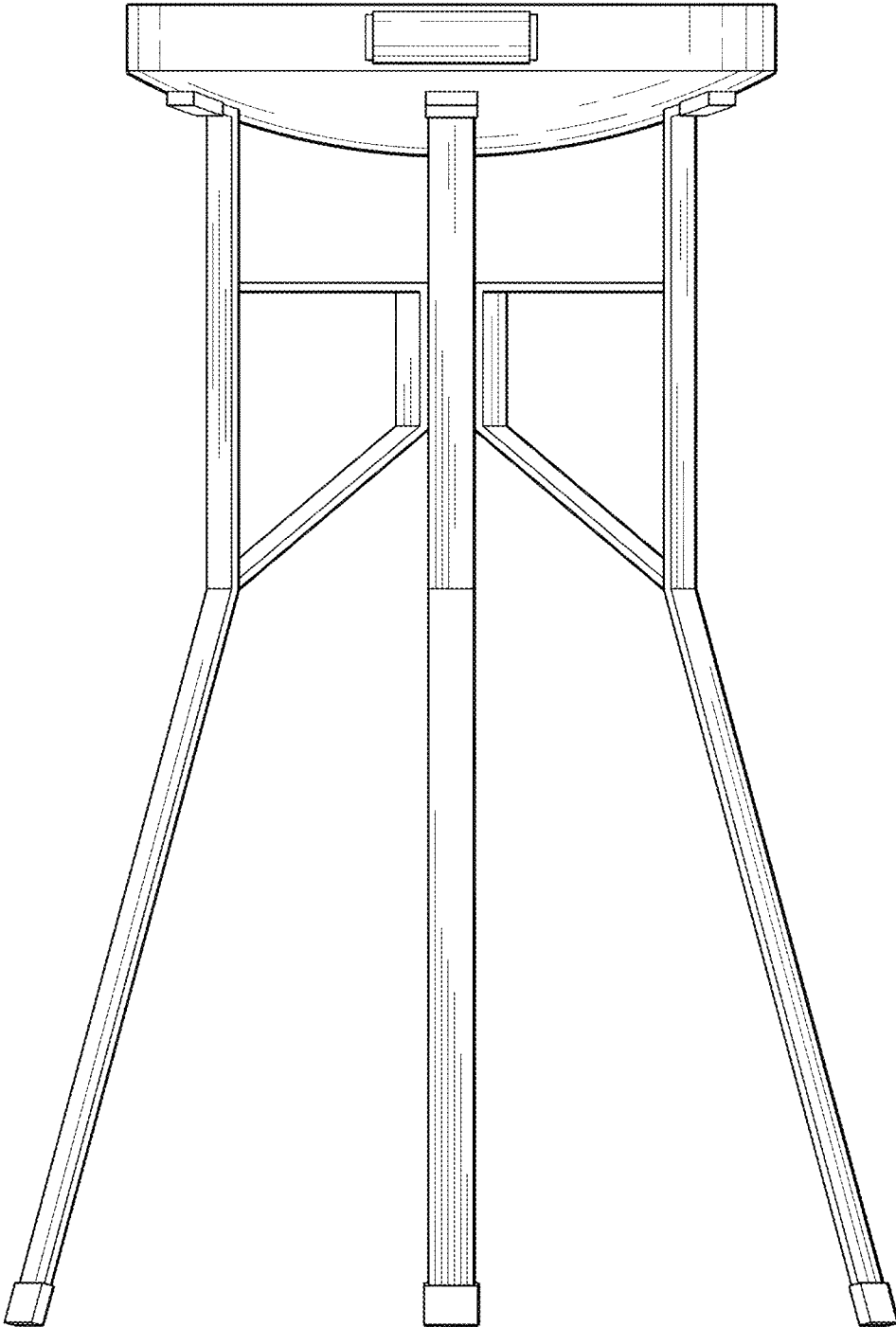


FIG. 2

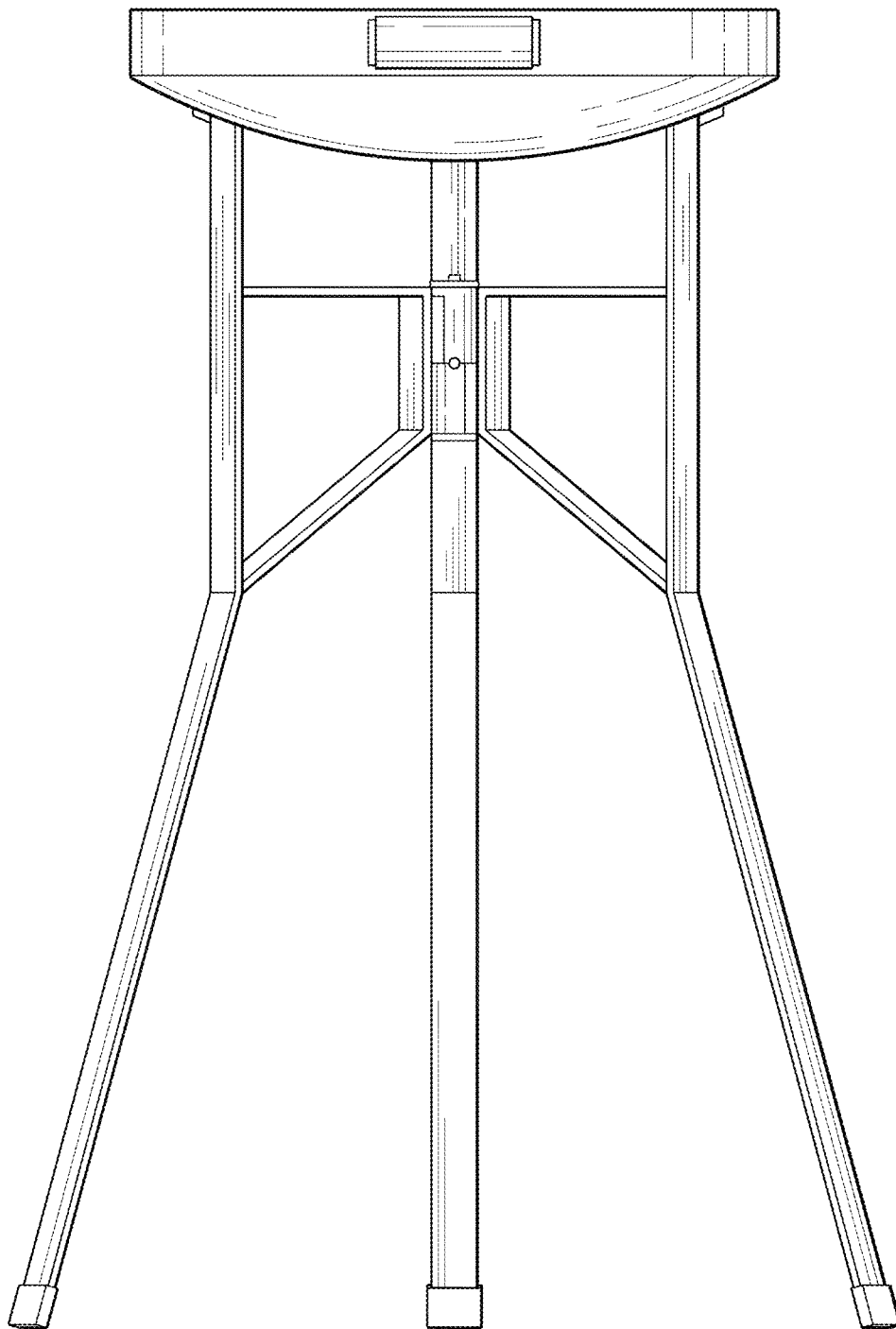


FIG. 3

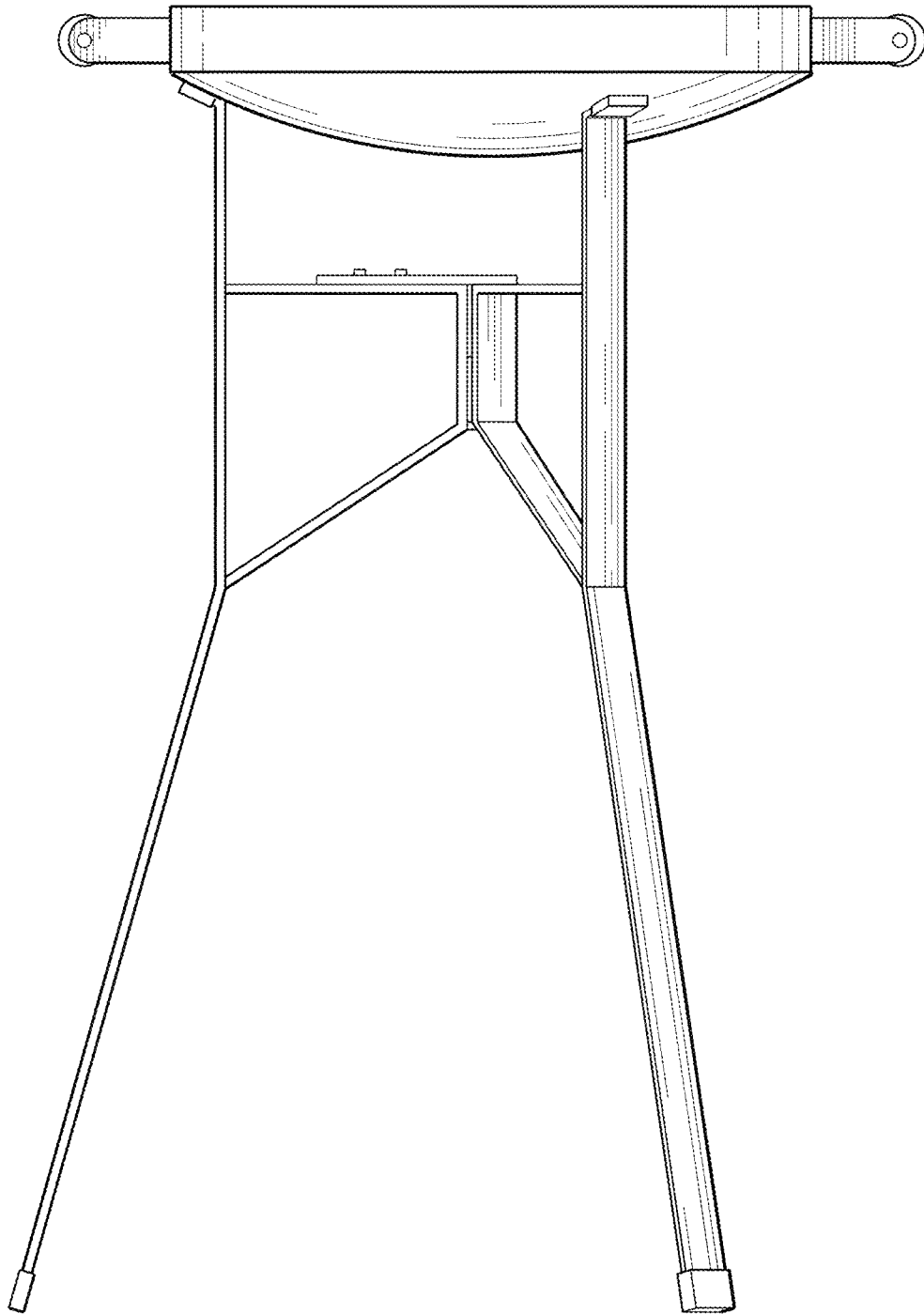


FIG. 4

FIG. 5

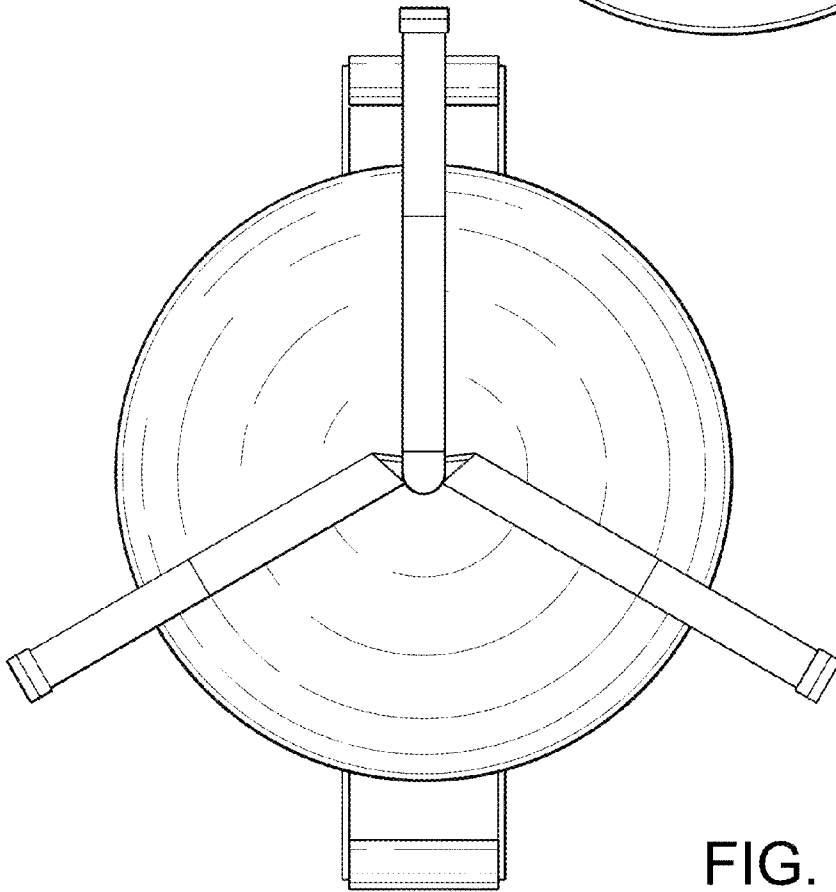
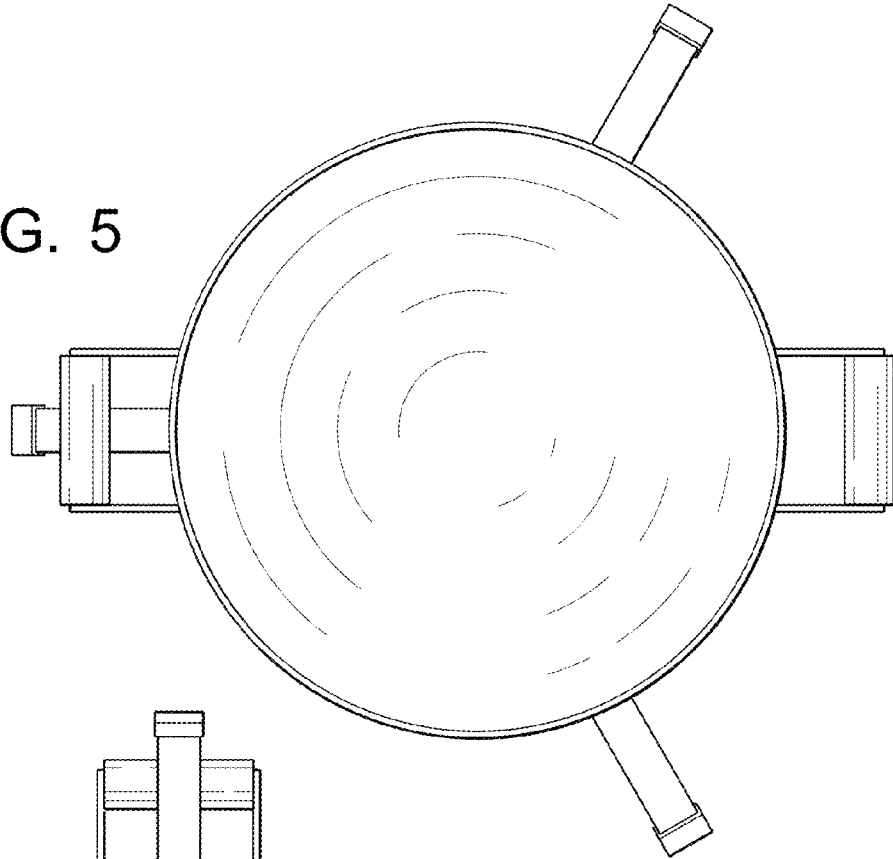


FIG. 6