



US00D898245S

(12) **United States Design Patent**  
**Xu**

(10) **Patent No.:** **US D898,245 S**

(45) **Date of Patent:** **\*\* Oct. 6, 2020**

(54) **LED ILLUMINATION LAMP**  
(71) Applicant: **Zhongshan Easdar Optoelectronic Technology Co., Ltd.,** Zhongshan (CN)  
(72) Inventor: **Baozhou Xu,** Zhongshan (CN)  
(73) Assignee: **Zhongshan Easdar Optoelectronic Technology Co., Ltd.,** Zhongshan (CN)  
(\*\*) Term: **15 Years**

D808,553 S \* 1/2018 Shengjin ..... D26/28  
D824,052 S \* 7/2018 Conte ..... D26/28  
D825,085 S \* 8/2018 Jian ..... D26/28  
D841,205 S \* 2/2019 Dai ..... D26/28  
D846,775 S \* 4/2019 Yan ..... D26/28  
10,260,726 B2 \* 4/2019 Wang ..... B60Q 1/14  
10,458,613 B2 \* 10/2019 Vincens ..... F21S 41/151  
10,548,200 B1 \* 1/2020 Xu ..... F21K 9/278  
D887,042 S \* 6/2020 Jiang ..... D26/28  
D889,000 S \* 6/2020 Zheng ..... D26/28  
D890,370 S \* 7/2020 Pan ..... D26/28  
D890,963 S \* 7/2020 Lan ..... D26/28

(Continued)

(21) Appl. No.: **29/695,467**

*Primary Examiner* — Wan Laymon

(22) Filed: **Jun. 19, 2019**

*Assistant Examiner* — Clint A Samuel

(74) *Attorney, Agent, or Firm* — Wang Law Firm, Inc.

(30) **Foreign Application Priority Data**

Jan. 15, 2019 (CN) ..... 2019 3 0020485

(51) **LOC (12) CL.** ..... **26-06**

(52) **U.S. CL.**  
USPC ..... **D26/28; D26/24**

(58) **Field of Classification Search**  
USPC ..... D26/24, 28, 113, 120, 128; D12/400;  
362/84, 475, 545  
CPC ..... F21S 48/10; F21S 48/225; F21S 48/1233;  
F21S 48/1266; F21S 48/2268; F21S  
41/19; F21S 41/141; F21S 41/192; F21S  
41/194; F21S 45/47; F21S 45/48; F21V  
19/00; F21V 17/10; F21V 29/70; F21V  
29/503; F21K 19/00  
See application file for complete search history.

(56) **References Cited**

**U.S. PATENT DOCUMENTS**

4,879,491 A \* 11/1989 Hirozumi ..... F21S 41/192  
313/318.1  
5,515,245 A \* 5/1996 Bobcza ..... F21S 41/194  
362/549  
D769,489 S \* 10/2016 Ma ..... D26/28  
D769,490 S \* 10/2016 Ma ..... D26/28

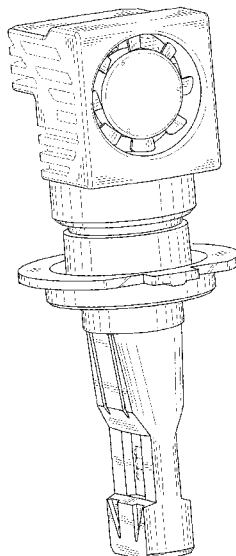
(57) **CLAIM**

The ornamental design for a LED illumination lamp, as shown and described.

**DESCRIPTION**

FIG. 1 is a perspective view of the LED illumination lamp showing my new design;  
FIG. 2 is a front elevation view thereof;  
FIG. 3 is a rear elevation view thereof;  
FIG. 4 is a left side elevation view thereof;  
FIG. 5 is a right side elevation view thereof;  
FIG. 6 is a top plan view thereof;  
FIG. 7 is a bottom plan view thereof;  
FIG. 8 is a perspective view of the LED illumination lamp from another angle of view showing my new design;  
FIG. 9 is an enlarged view of the portion labeled “9” framed in FIG. 8; and,  
FIG. 10 is an enlarged view of the portion labeled “10” framed in FIG. 8.  
The broken lines showing in the drawings are for the purpose of illustrating portions of the LED illumination lamp and form no part of the claimed design.

**1 Claim, 10 Drawing Sheets**



(56)

**References Cited**

U.S. PATENT DOCUMENTS

2006/0040566 A1\* 2/2006 Thomas ..... F21S 45/40  
439/699.2  
2009/0002997 A1\* 1/2009 Koester ..... F21V 29/763  
362/294  
2012/0170286 A1\* 7/2012 Bodem ..... F21S 41/192  
362/362  
2018/0142879 A1\* 5/2018 Elwell ..... F21S 41/141  
2019/0360681 A1\* 11/2019 Zhou ..... F21V 29/70

\* cited by examiner

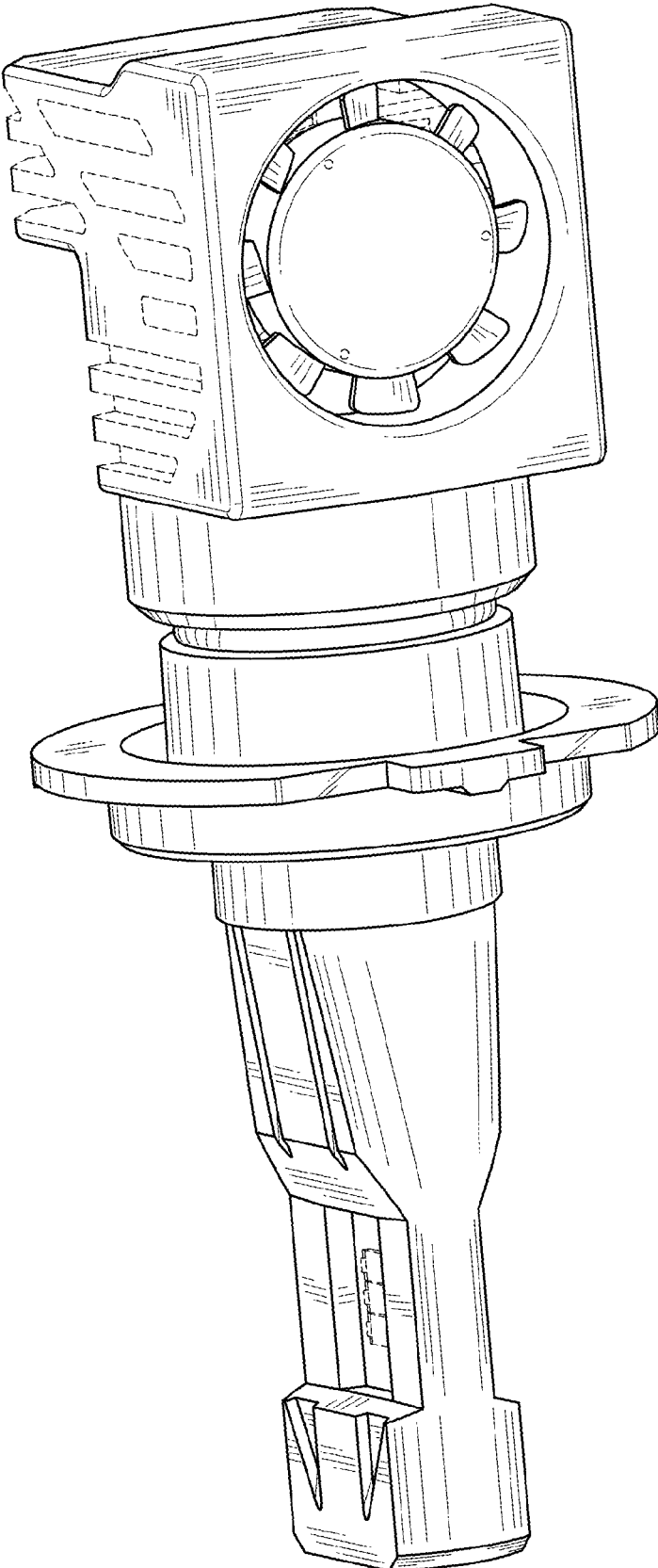


FIG.1

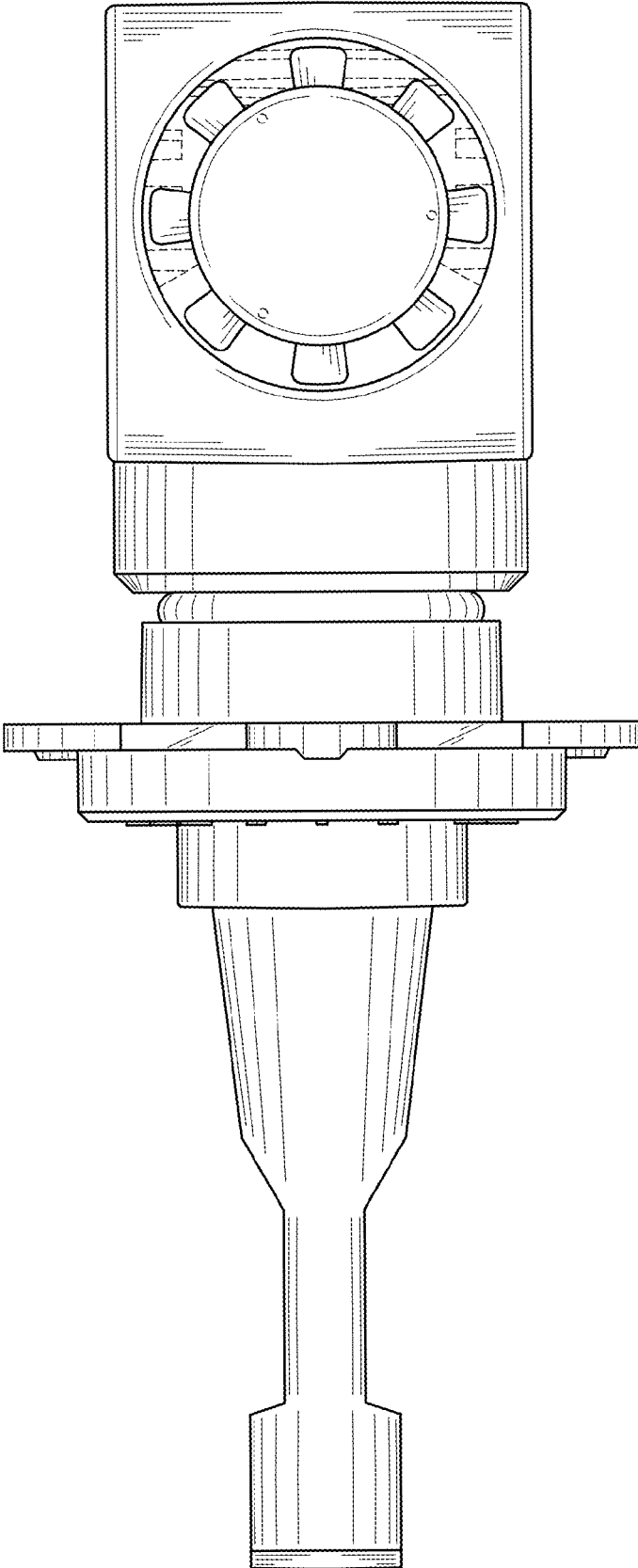


FIG.2

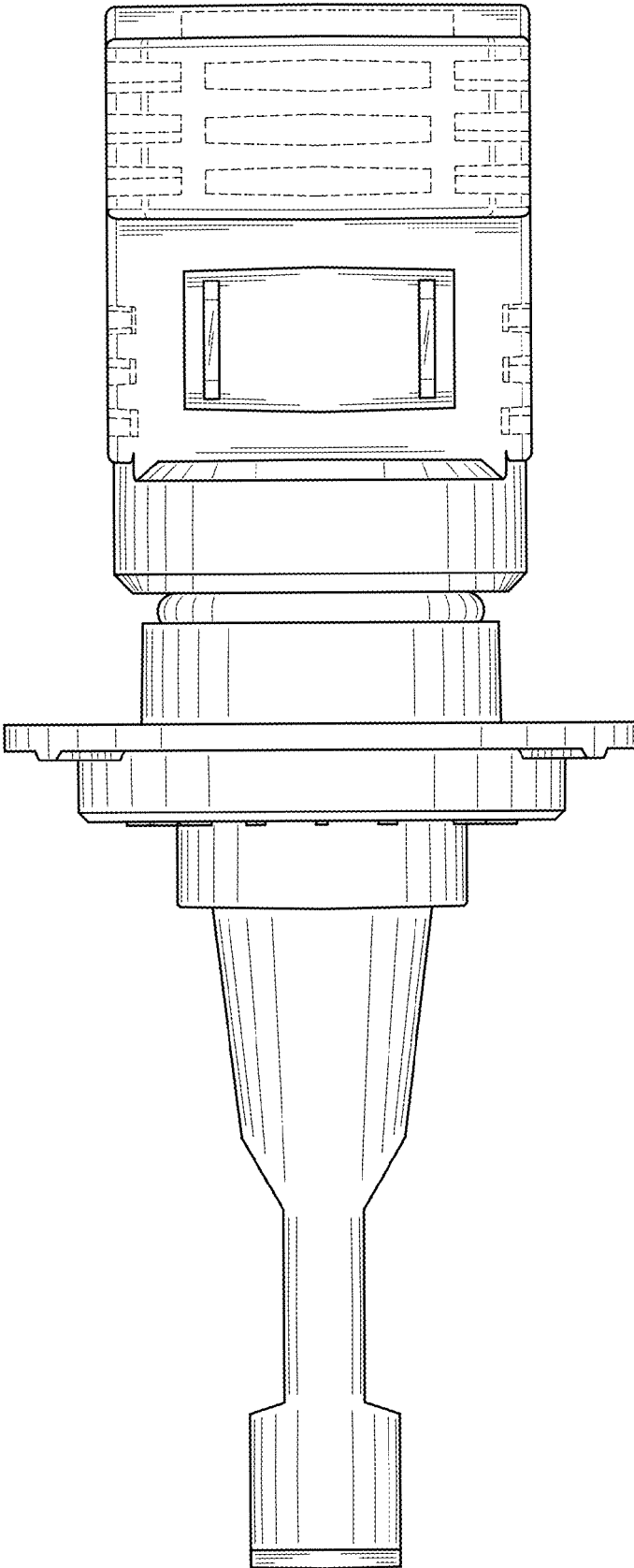


FIG.3

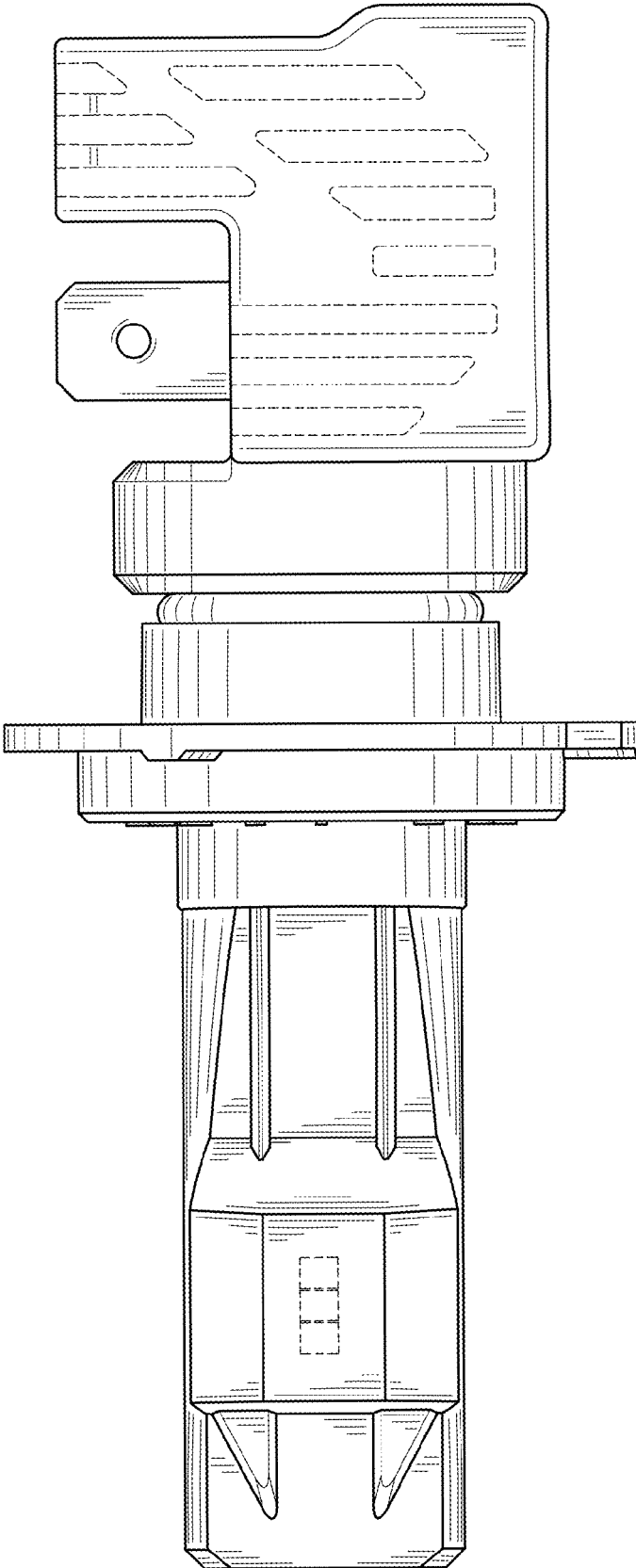


FIG.4

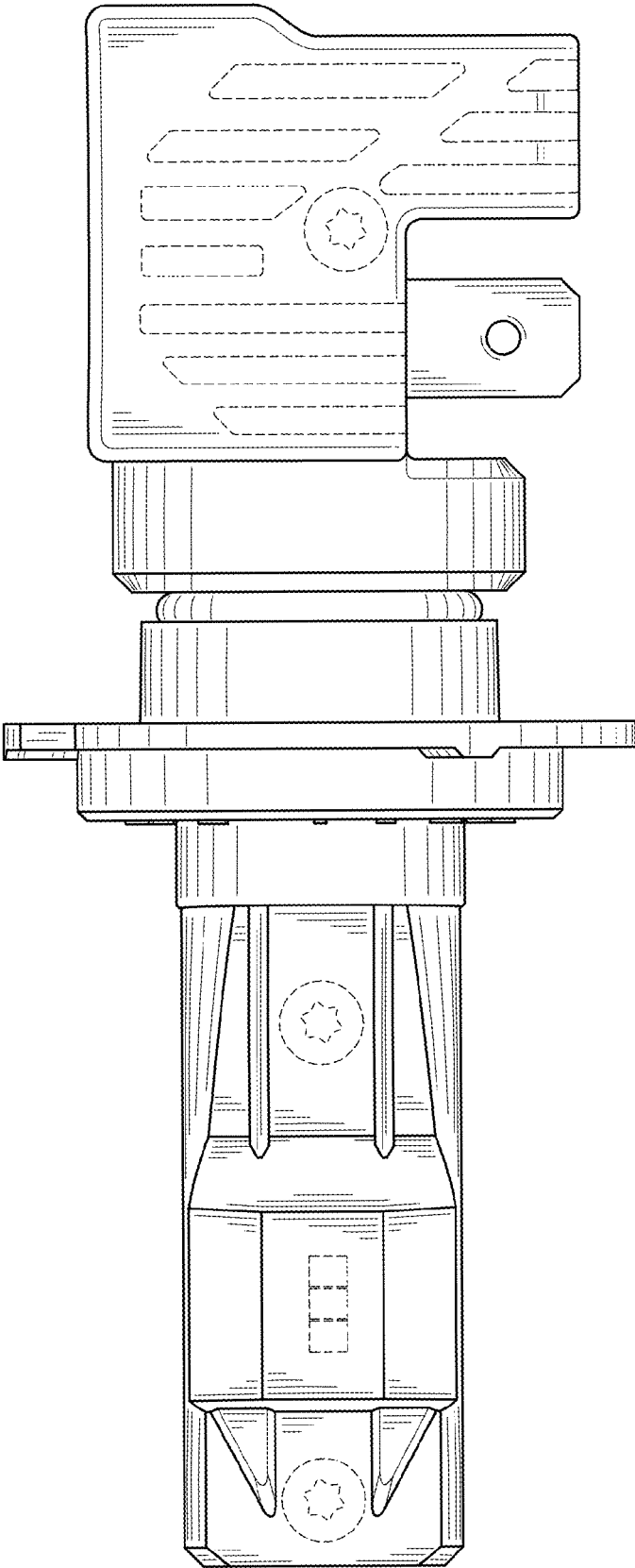


FIG.5

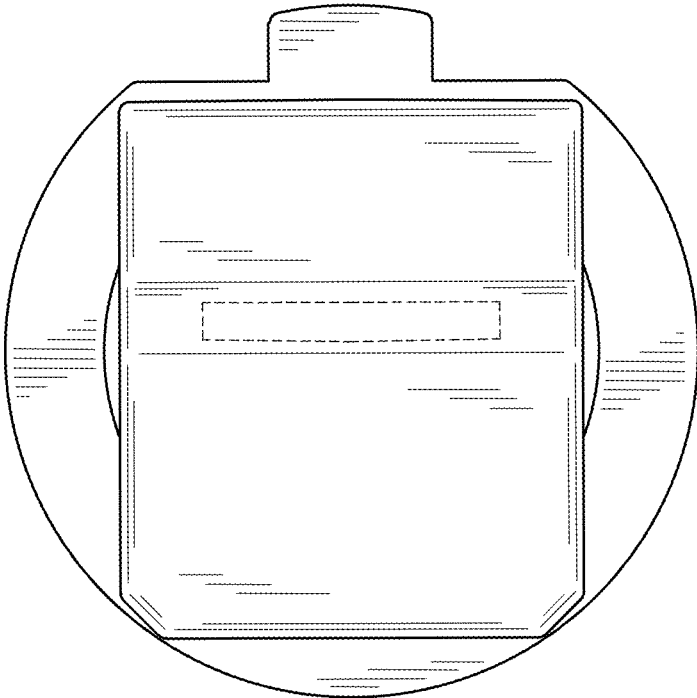


FIG.6



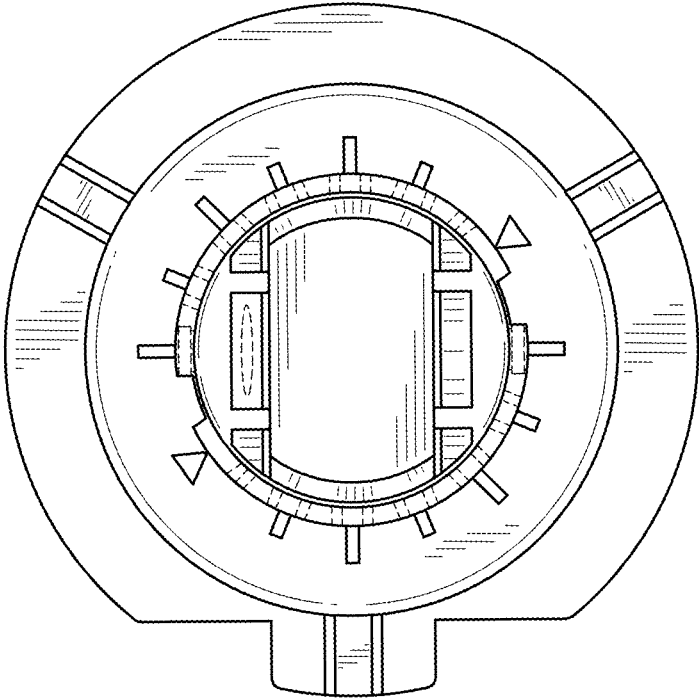


FIG.7

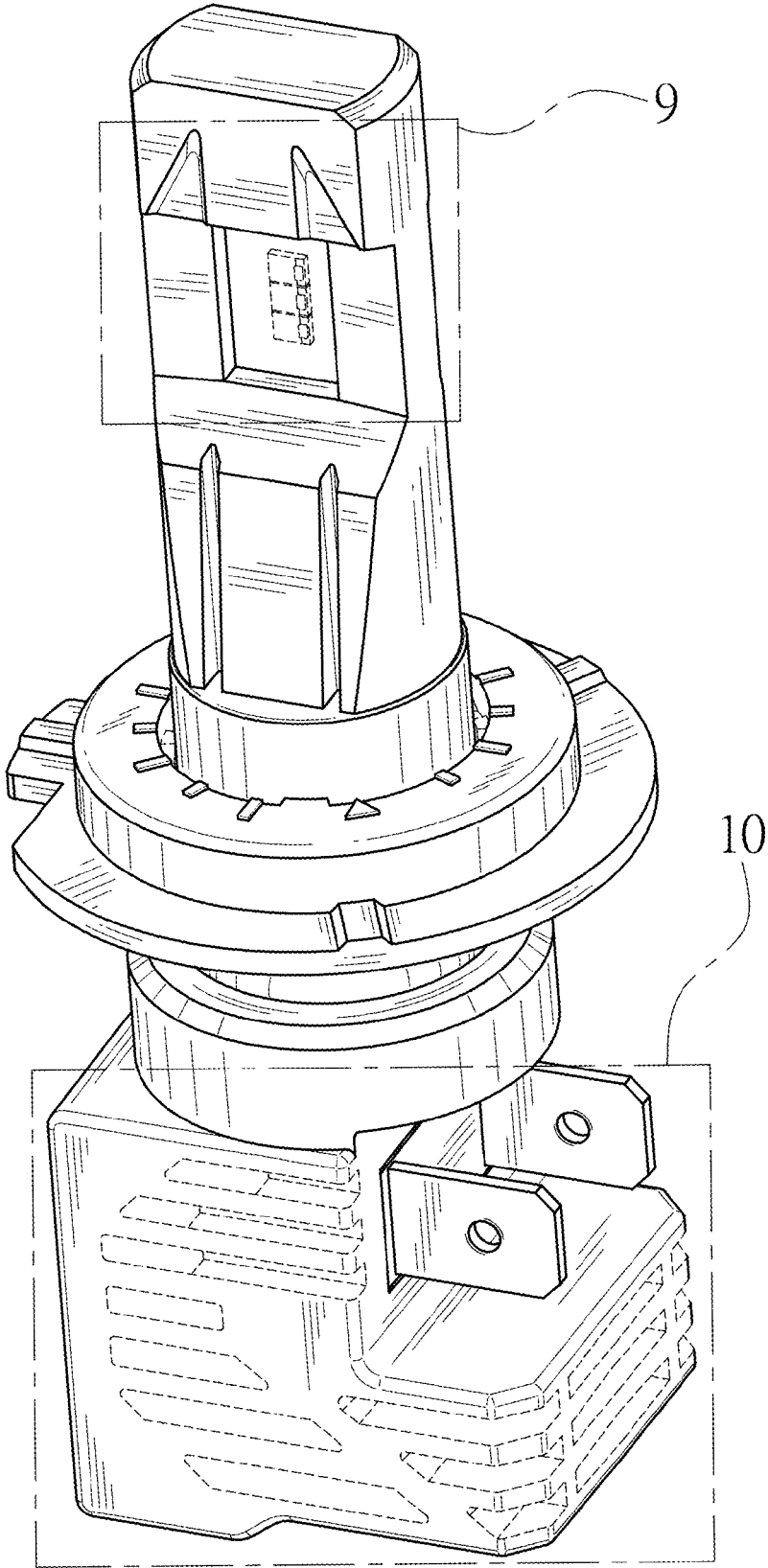


FIG.8

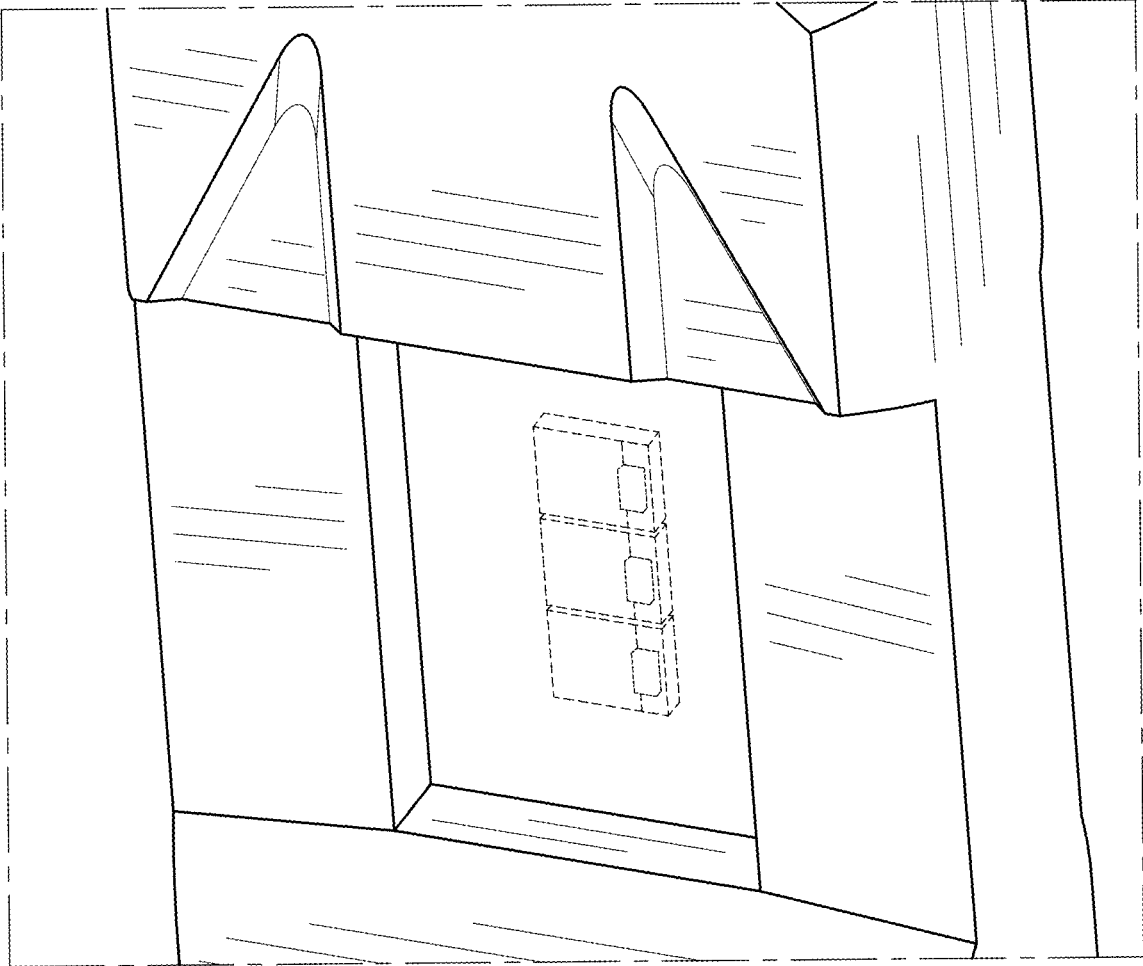


FIG.9

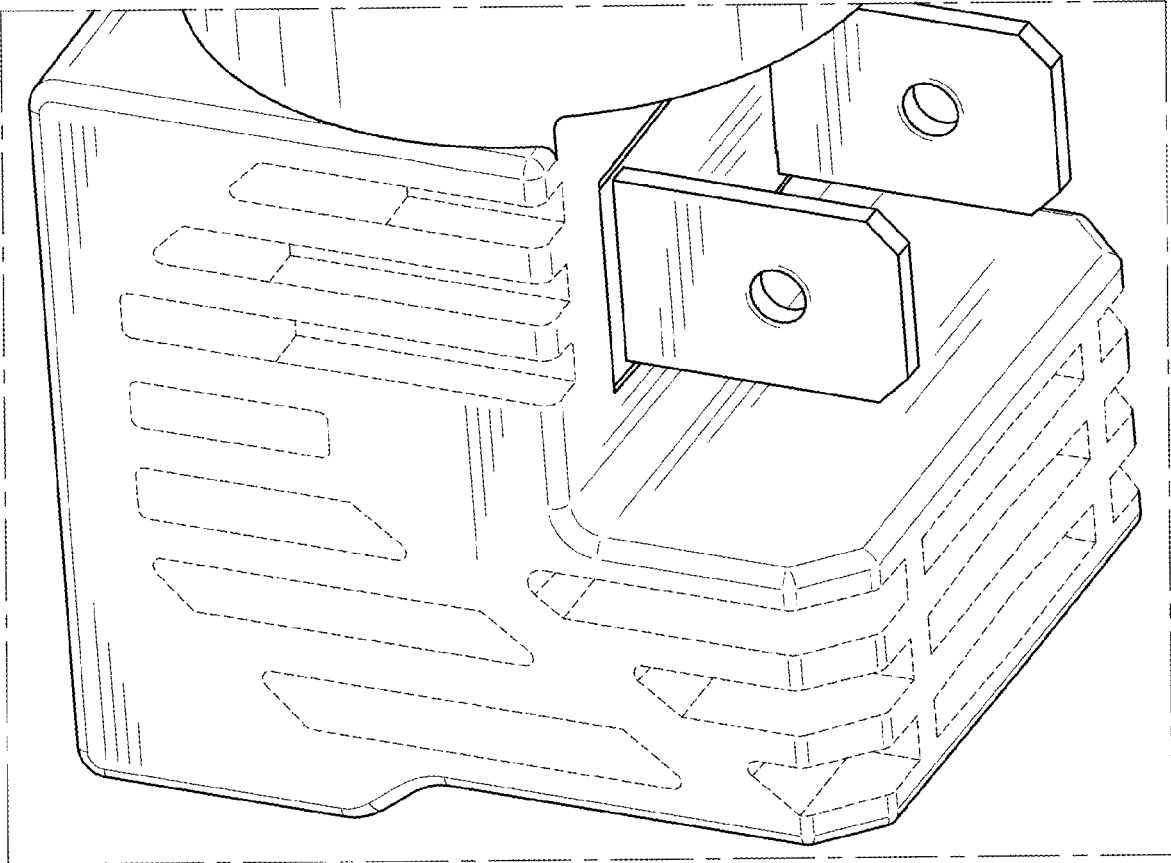


FIG.10