



US00D77920S

(12) **United States Design Patent**
Cahill

(10) **Patent No.:** **US D779,920 S**

(45) **Date of Patent:** **** Feb. 28, 2017**

(54) **ELECTRONIC DOOR LOCK**

(71) Applicant: **Jeff Cahill**, Castle Rock, CO (US)

(72) Inventor: **Jeff Cahill**, Castle Rock, CO (US)

(**) Term: **15 Years**

(21) Appl. No.: **29/551,050**

(22) Filed: **Jan. 10, 2016**

(51) **LOC (10) Cl.** **08-07**

(52) **U.S. Cl.**
USPC **D8/331; D8/330; D8/350**

(58) **Field of Classification Search**
USPC D8/330, 331, 334, 300, 301, 350; 70/14, 70/20-22, 57, 57.1, 284-286, 314, DIG. 44, 70/266, 277, 271; 292/288-292
CPC E05B 9/00; E05B 9/02; E05B 2009/006; E05B 49/00; E05B 19/00; E05B 15/00; E05B 49/02; E05B 17/00; E05B 3/00

See application file for complete search history.

6,733,050 B1 * 5/2004 Yao E05B 63/044 292/137

6,828,519 B2 * 12/2004 Bui H01H 9/02 174/53

7,091,429 B2 * 8/2006 Case E05B 15/02 200/314

7,984,631 B2 * 7/2011 Case E05B 15/02 70/278.1

8,141,400 B2 * 3/2012 Sorensen E05B 47/068 340/5.54

D698,222 S * 1/2014 Guo D8/330

D737,657 S * 9/2015 Nadgouda D8/331

D738,186 S * 9/2015 Nadgouda D8/331

D752,946 S * 4/2016 Shen D8/330

D766,067 S * 9/2016 Hyde D8/330

* cited by examiner

Primary Examiner — Prabhakar Deshmukh
(74) *Attorney, Agent, or Firm* — Lev Ivan Gabriel Iwashko

(57) **CLAIM**

The ornamental design for an electronic door lock, as shown and described.

DESCRIPTION

FIG. 1 is a front elevational view of an electronic door lock showing my new design;
FIG. 2 is a top, front and right perspective view thereof;
FIG. 3 is a side elevational view thereof; and,
FIG. 4 is a top plan view thereof.

1 Claim, 4 Drawing Sheets

(56) **References Cited**
U.S. PATENT DOCUMENTS

3,041,720 A * 7/1962 Pantas E05B 15/02 428/542.2

5,433,333 A * 7/1995 Martell E01F 9/615 220/243

6,145,353 A * 11/2000 Doucet E05B 47/0692 70/149

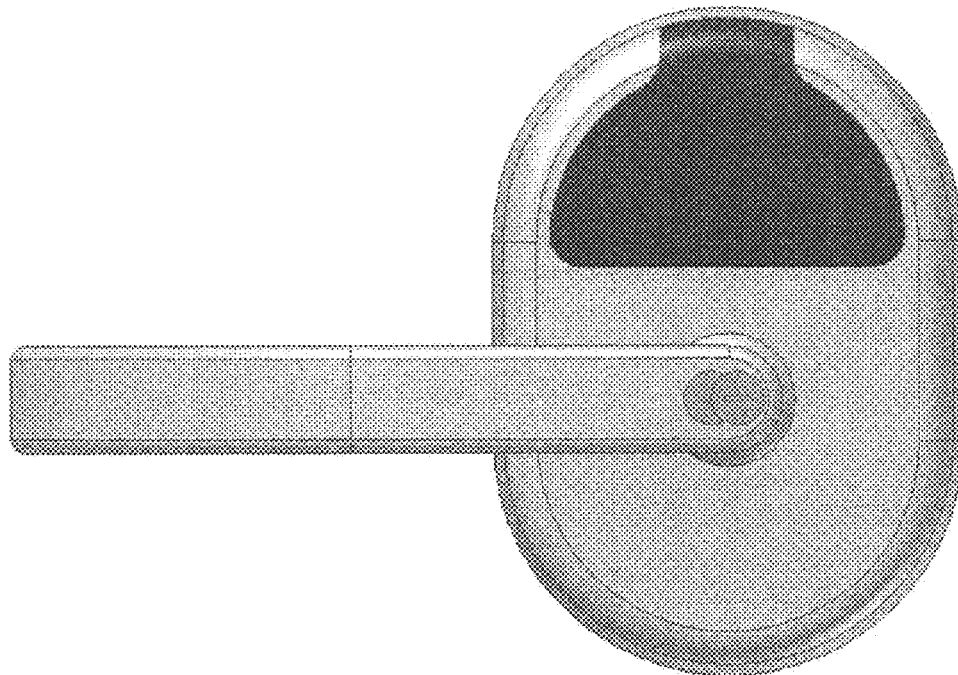


FIG. 1

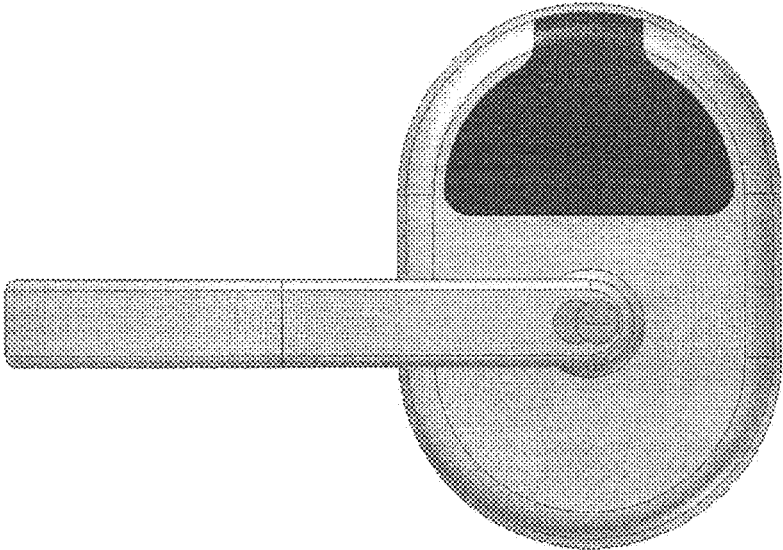


FIG. 2

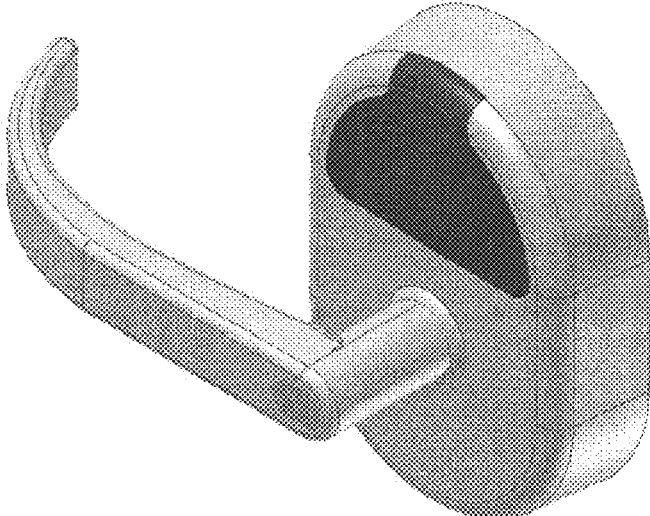


FIG. 3

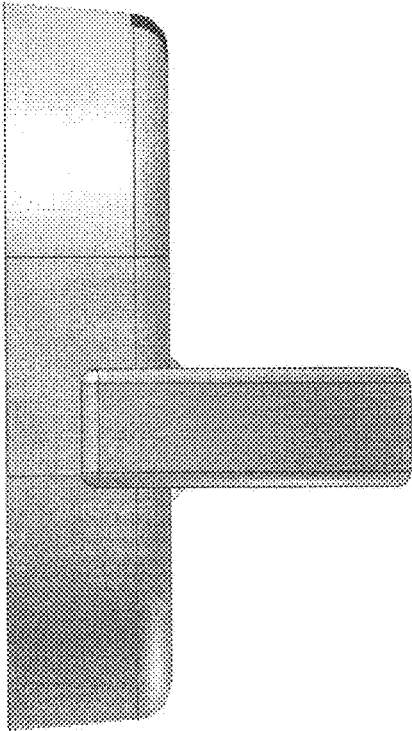


FIG. 4

