



(12) **United States Design Patent** (10) **Patent No.:** **US D827,613 S**
Seo et al. (45) **Date of Patent:** **** Sep. 4, 2018**

(54) **REMOTE CONTROLLER**

D512,027 S * 11/2005 Sarasjoki D13/168
D524,254 S * 7/2006 van Himbeek D13/168
D527,712 S * 9/2006 Indio da Costa D13/168

(71) Applicant: **Samsung Electronics Co., Ltd.**,
Suwon-si (KR)

(Continued)

(72) Inventors: **Yong Seo**, Seoul (KR); **Minki Ham**,
Seoul (KR); **Eunha Choi**, Yongin-si
(KR)

FOREIGN PATENT DOCUMENTS

JP D1229382 * 2/2005
KR 30-0724312 1/2014
WO WO D089979-001 * 12/2016

(73) Assignee: **SAMSUNG ELECTRONICS CO., LTD.**,
Suwon-si (KR)

OTHER PUBLICATIONS

(**) Term: **15 Years**

Device Control Hardware by FutureVideo, website date 2012,
<http://www.futurevideo.com/device-control-hardware.htm>, site visited Mar. 26, 2018 (Year: 2012).*

(21) Appl. No.: **29/608,346**

(22) Filed: **Jun. 21, 2017**

Primary Examiner — Eric L Goodman
Assistant Examiner — John R Yeh
(74) *Attorney, Agent, or Firm* — McAndrews Held & Malloy, Ltd.

(30) **Foreign Application Priority Data**

Dec. 23, 2016 (KR) 30-2016-0062843

(51) **LOC (11) Cl.** **14-03**

(52) **U.S. Cl.**
USPC **D14/218**

(58) **Field of Classification Search**
USPC D14/218, 225, 204-206; D13/168;
D10/49; D21/333
CPC H04R 1/083; G06F 1/1628; G06F 3/01;
G06F 3/16
See application file for complete search history.

(57) **CLAIM**

The ornamental design for a remote controller, as shown and described.

(56) **References Cited**

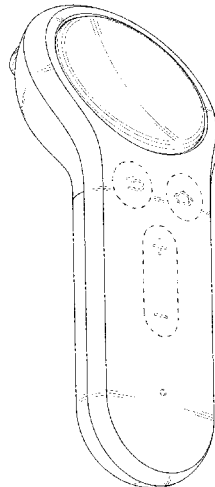
U.S. PATENT DOCUMENTS

D363,720 S * 10/1995 Lagohm D14/218
D366,876 S * 2/1996 Labohm D14/218
D368,475 S * 4/1996 Scott D14/218
D375,748 S * 11/1996 Hartman D14/218
D376,366 S * 12/1996 Patton D14/218
5,767,841 A * 6/1998 Hartman G06F 3/03549
345/167
D486,144 S * 2/2004 Esslinger D14/218
D487,733 S * 3/2004 Lucaci D14/137
D502,929 S * 3/2005 Copeland D13/168

DESCRIPTION

FIG. 1 is a front perspective view of a remote controller showing our new design according to a first embodiment; FIG. 2 is a front elevation view thereof; FIG. 3 is a rear elevation view thereof; FIG. 4 is a left-side elevation view thereof; FIG. 5 is a right-side elevation view thereof; FIG. 6 is a top plan view thereof; FIG. 7 is a bottom plan view thereof; and, FIG. 8 is a front perspective view thereof, in which a strap is shown in broken lines to illustrate an example environment. The broken lines in the drawings depict environment and portions of the remote controller that form no part of the claimed design.

1 Claim, 8 Drawing Sheets



(56)

References Cited

U.S. PATENT DOCUMENTS

D550,654 S * 9/2007 Miyawaki D14/218
D569,814 S * 5/2008 Ikeda D13/168
D609,685 S * 2/2010 Lin D14/138 AA
D688,232 S * 8/2013 Zhang D14/218
D697,057 S * 1/2014 Kwon D14/218
D723,521 S * 3/2015 Chen D14/218
9,722,235 B2 * 8/2017 Tompkins H01M 2/34
D799,449 S * 10/2017 Yoon D14/218
D799,450 S * 10/2017 Lee D14/218
2005/0024321 A1 * 2/2005 Tsai G06F 3/0219
345/156
2005/0137000 A1 * 6/2005 Toh H04M 1/0227
455/575.4

* cited by examiner

FIG. 1

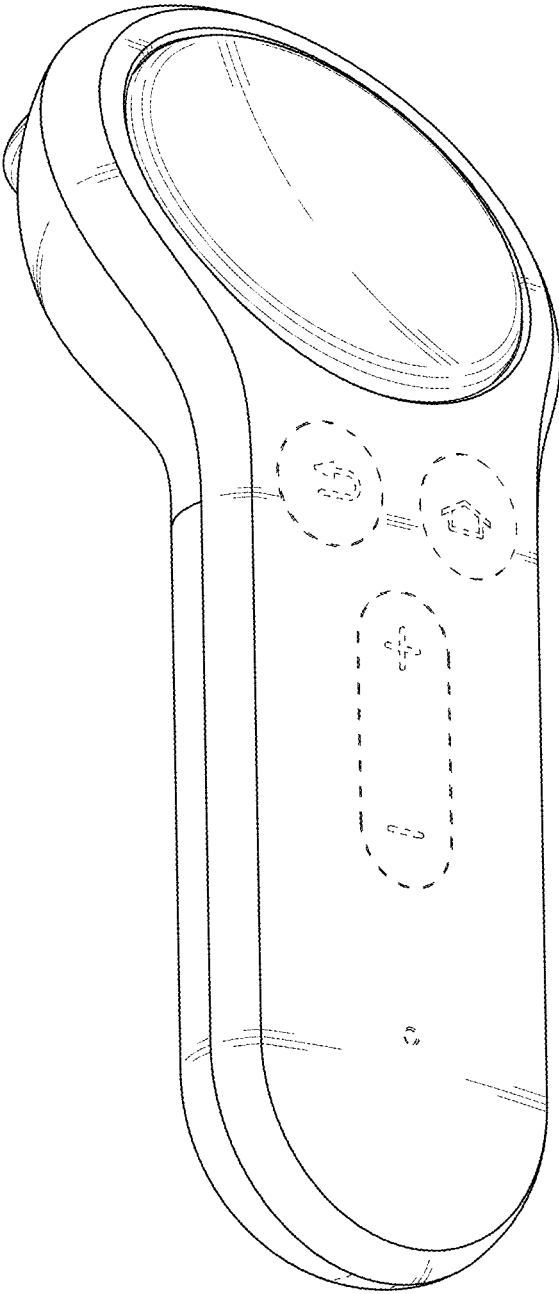


FIG. 2

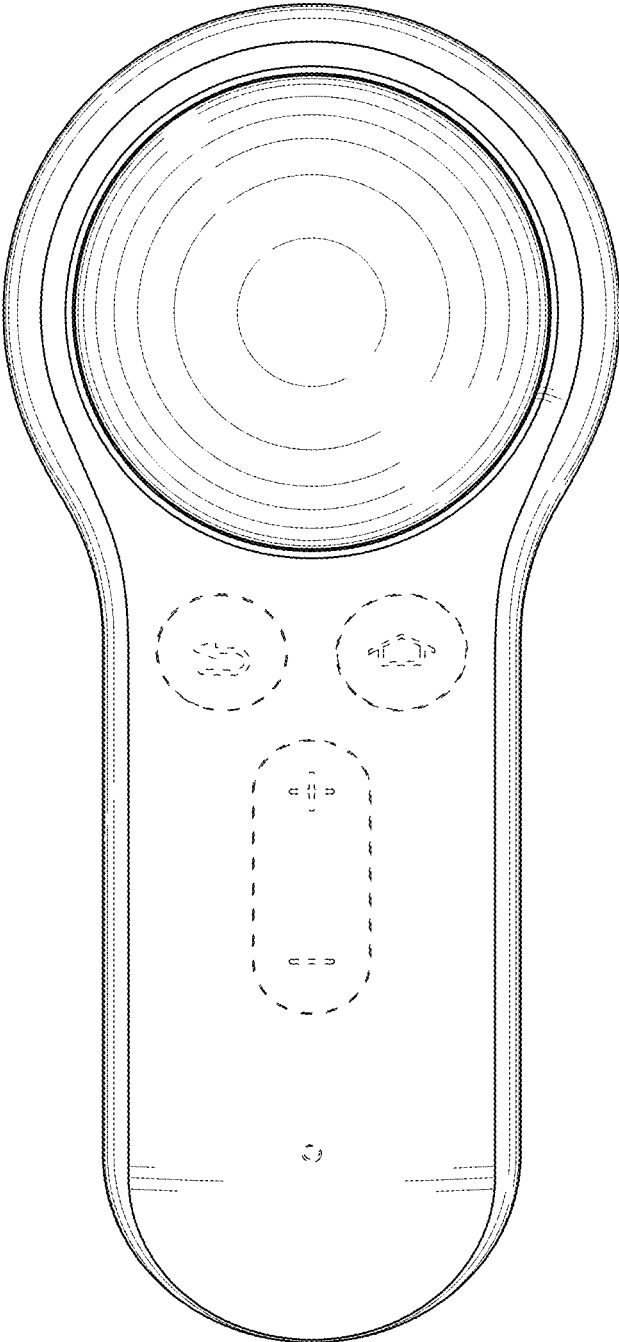


FIG. 3

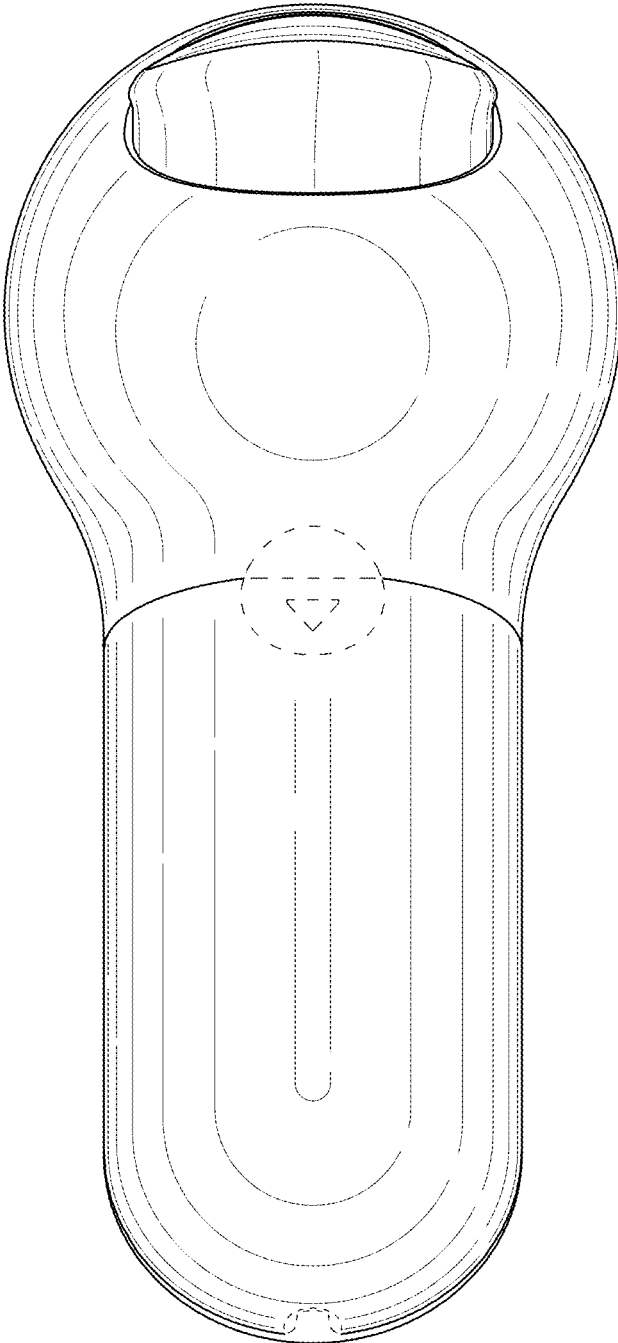


FIG. 4

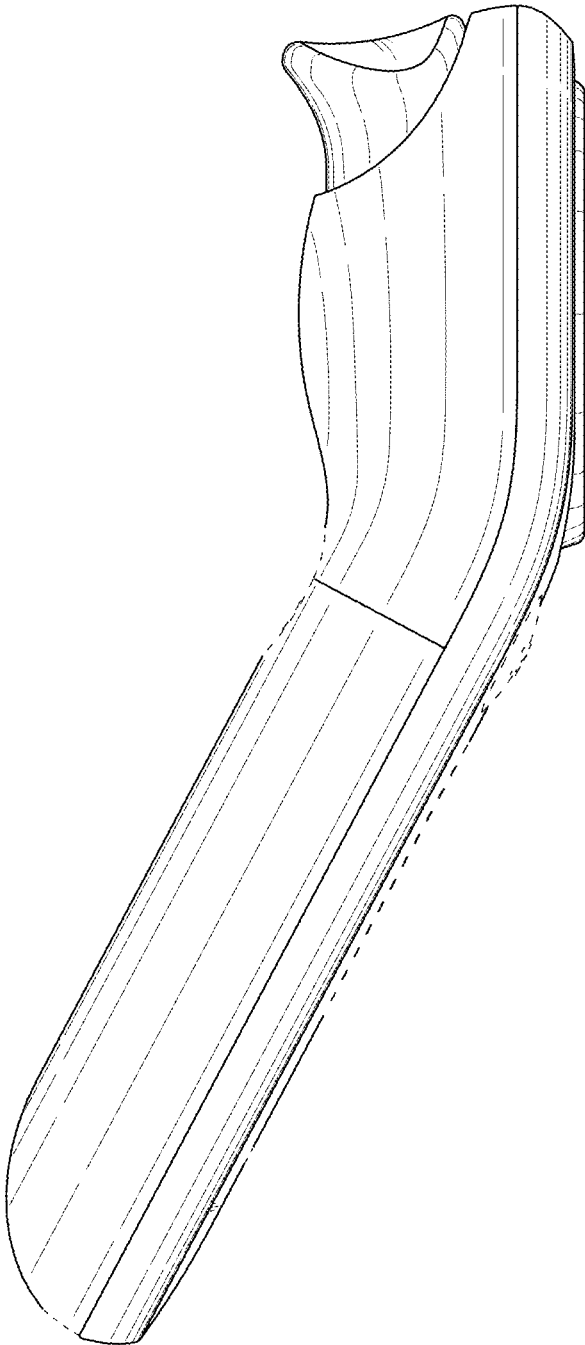


FIG. 5

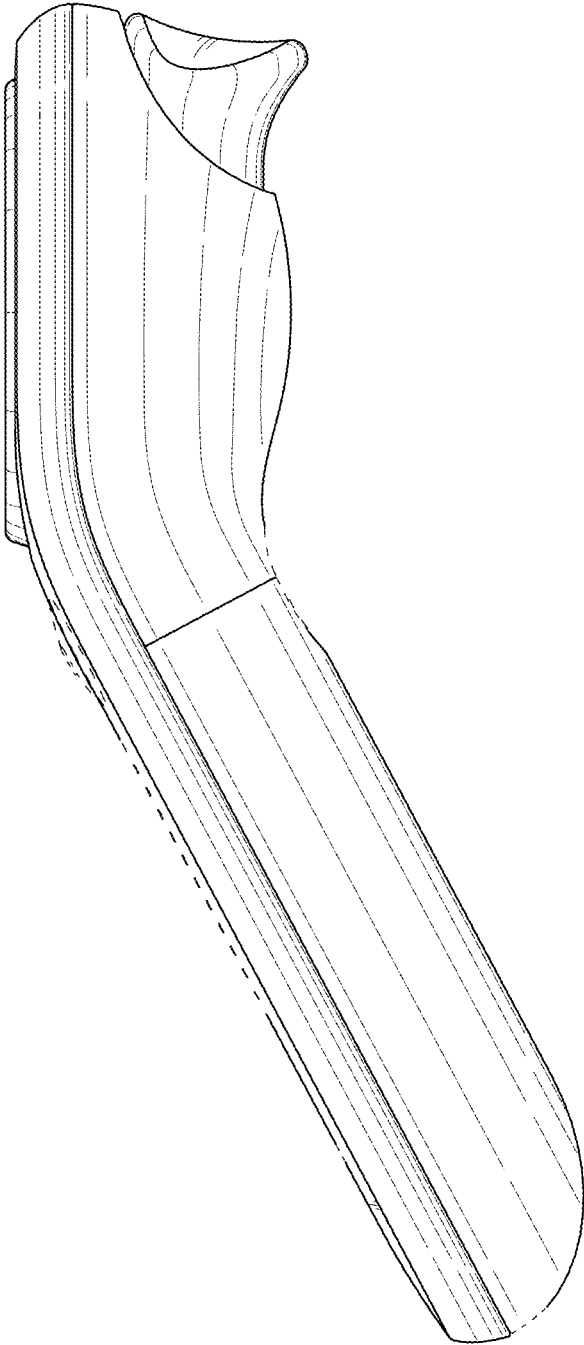


FIG. 6

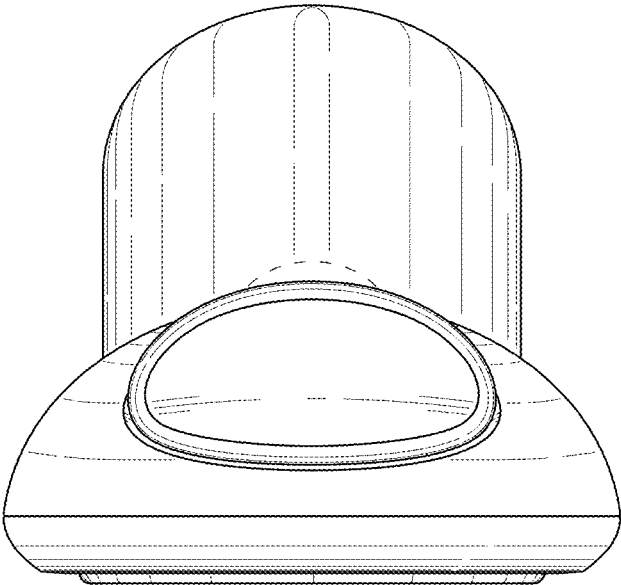


FIG. 7

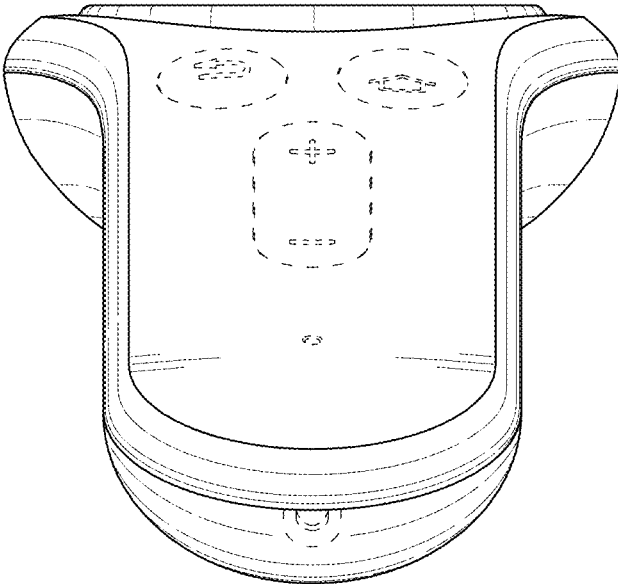


FIG. 8

