



US0D1009614S

(12) **United States Design Patent**
Nguyen et al.

(10) **Patent No.:** **US D1,009,614 S**

(45) **Date of Patent:** **** Jan. 2, 2024**

(54) **COMBINED SEAL WITH COUPLER**

(71) Applicant: **The Boeing Company**, Chicago, IL (US)

(72) Inventors: **Linh H. Nguyen**, Kent, WA (US);
George T. Vinh, Burien, WA (US);
Jason Alan Gantz, Kent, WA (US)

(73) Assignee: **THE BOEING COMPANY**, Arlington, VA (US)

(**) Term: **15 Years**

(21) Appl. No.: **29/699,146**

(22) Filed: **Jul. 23, 2019**

(51) **LOC (14) Cl.** **08-08**

(52) **U.S. Cl.**

USPC **D8/382**; D12/345

(58) **Field of Classification Search**

USPC D21/561; D12/1-4, 16.1, 319-345, 190,
D12/400; D23/233, 262, 269; D13/133;
D8/394, 403, 382; D25/55, 119, 124,
D25/164

CPC B64C 7/00; B64C 9/02; B64C 1/14; B64C
1/12; B64C 1/1407; B64C 3/26

See application file for complete search history.

(56) **References Cited**

U.S. PATENT DOCUMENTS

4,050,208	A	*	9/1977	Pompei	B64C 1/066 244/119
D282,425	S	*	2/1986	Hager	D8/382
D344,489	S	*	2/1994	Webb	D12/345
D422,201	S	*	4/2000	Jarnagin	D8/382
D547,465	S	*	7/2007	Mann	D25/164
D610,521	S	*	2/2010	Pirie et al.	
D616,968	S	*	6/2010	Bowman	D23/262
D647,826	S	*	11/2011	Goettker	D12/162
D689,200	S	*	9/2013	Elizarraras	D25/55

D692,593	S	*	10/2013	Hanser	D25/124
D693,668	S	*	11/2013	Wojtowicz	D8/394
D700,360	S	*	2/2014	Elizarraras	D25/55
D703,294	S	*	4/2014	Witkowski	D23/233
D704,045	S	*	5/2014	Lavelle	D8/403
D729,168	S	*	5/2015	Vaccaro	D13/133
D734,503	S	*	7/2015	Massingham	D25/124
D742,788	S	*	11/2015	Burke	D12/48
D746,745	S	*	1/2016	Schoonover	D12/190

(Continued)

Primary Examiner — Marissa J Cash

Assistant Examiner — William B Melliar

(74) *Attorney, Agent, or Firm* — COATS & BENNETT, PLLC

(57) **CLAIM**

The ornamental design for a combined seal with coupler, as shown and described.

DESCRIPTION

FIG. 1 is a top perspective view of a combined seal with coupler showing my design.

FIG. 2 is a top left perspective view of the combined seal with coupler.

FIG. 3 is a top view of the combined seal with coupler.

FIG. 4 is a bottom view of the combined seal with coupler.

FIG. 5 is a front view of the combined seal with coupler.

FIG. 6 is a rear view of the combined seal with coupler.

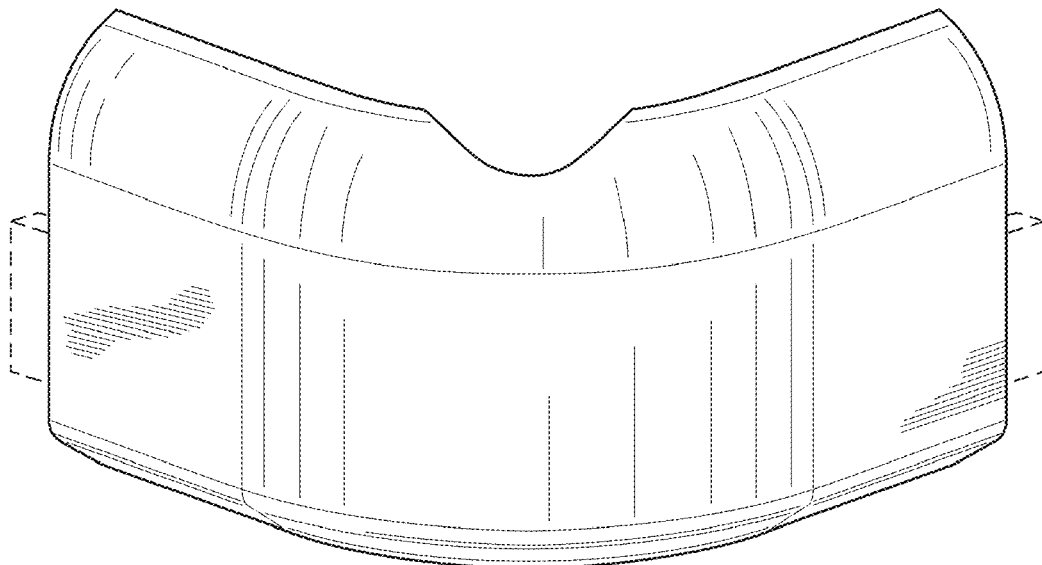
FIG. 7 is a left side view of the combined seal with coupler.

FIG. 8 is a right side view of the combined seal with coupler; and,

FIG. 9 is a lower perspective view of the combined seal with coupler shown in an environment of use positioned along a corner of two wall sections.

The broken lines in the drawings depict portions of the combined seal with coupler that form no part of the claimed design. The additional broken lines shown in FIG. 9 depict environment only that form no part thereof.

1 Claim, 9 Drawing Sheets



(56)

References Cited

U.S. PATENT DOCUMENTS

D754,886	S *	4/2016	Koenig, Jr.	D25/55
D762,462	S *	8/2016	Anderson	D25/55
D781,466	S *	3/2017	Winslow	D25/164
D807,531	S *	1/2018	Manning	F16J 15/061
				D25/119
D838,231	S *	1/2019	Ghannam	D12/400
D919,420	S *	5/2021	Teffenhart, Jr.	D8/394
D961,690	S *	8/2022	Ewing	D21/561
D963,069	S *	9/2022	Ewing	D21/561
D964,157	S *	9/2022	Mathias	D8/403
2010/0107513	A1 *	5/2010	Buchanan	B64C 3/18
				52/84
2015/0028638	A1 *	1/2015	Nestel	B64D 11/00
				297/182

* cited by examiner

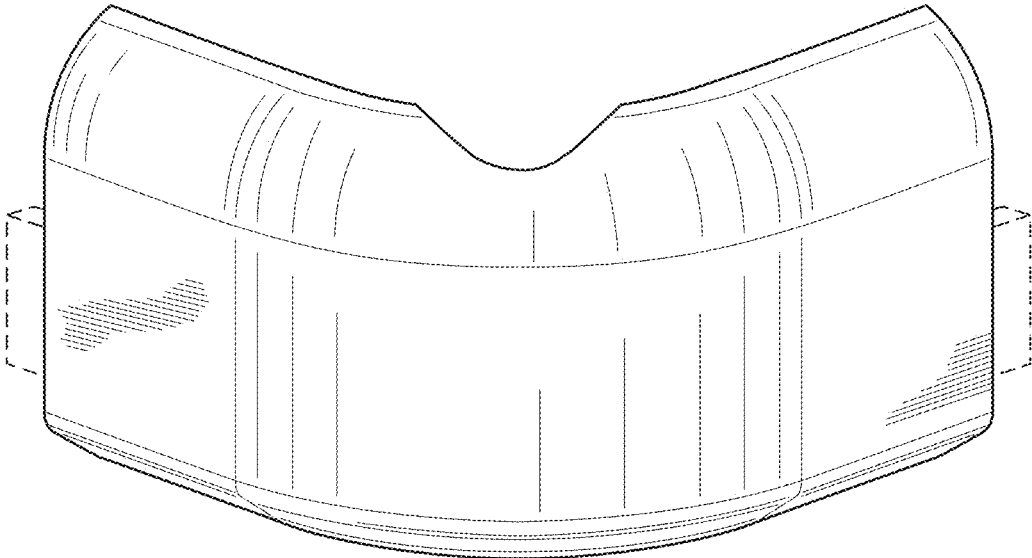


FIG. 1

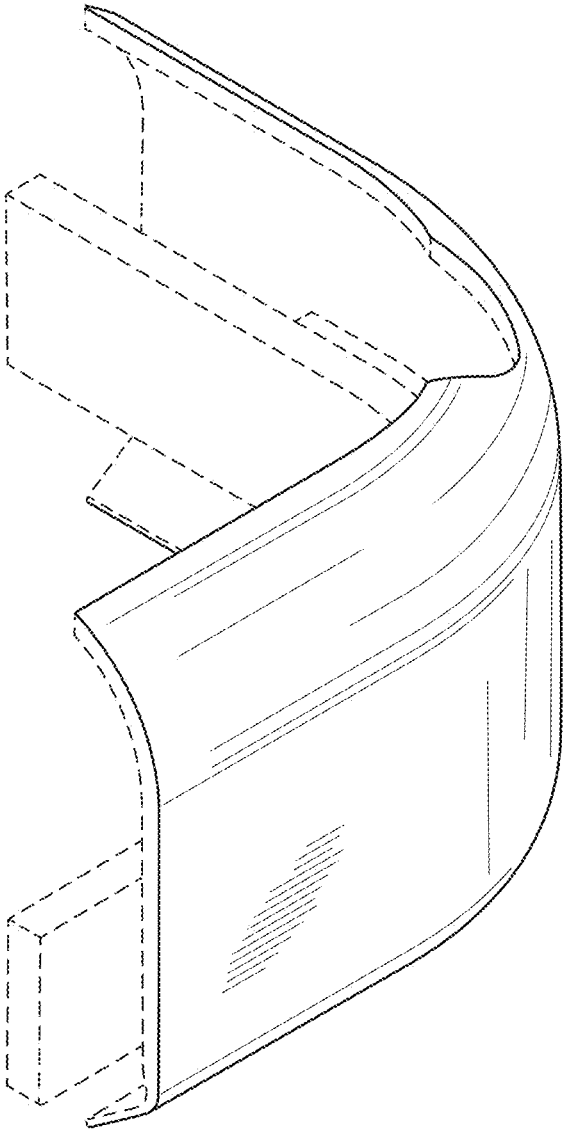


FIG. 2

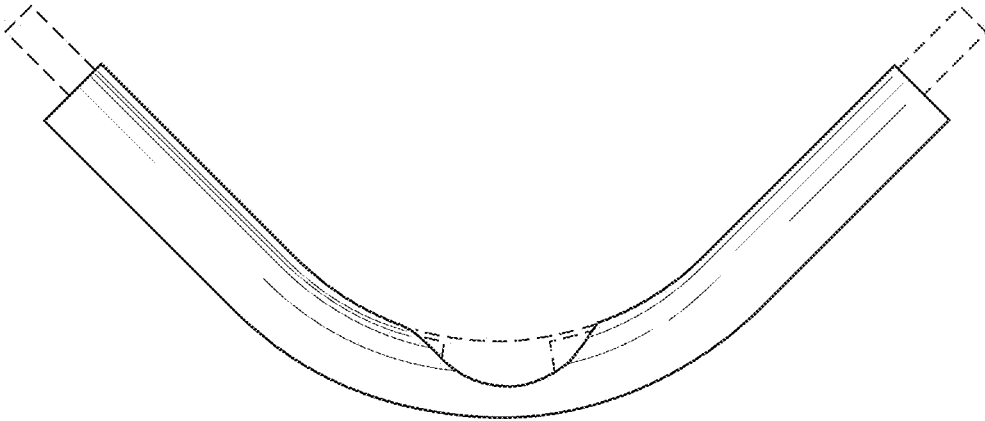


FIG. 3

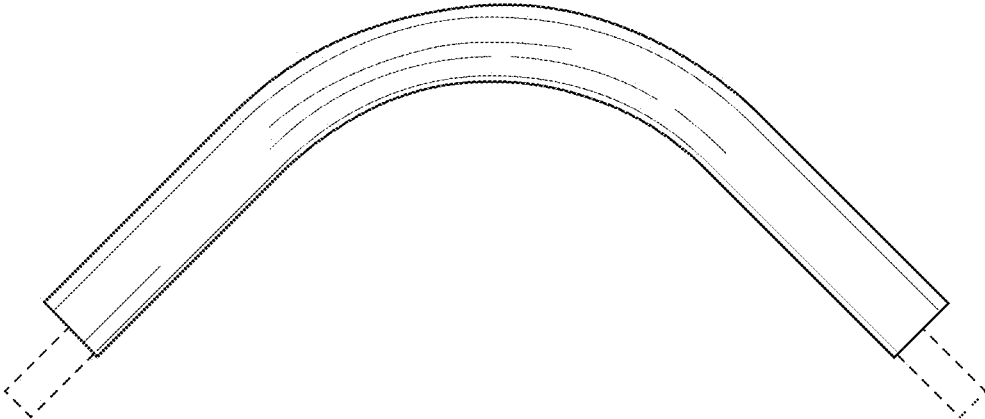


FIG. 4

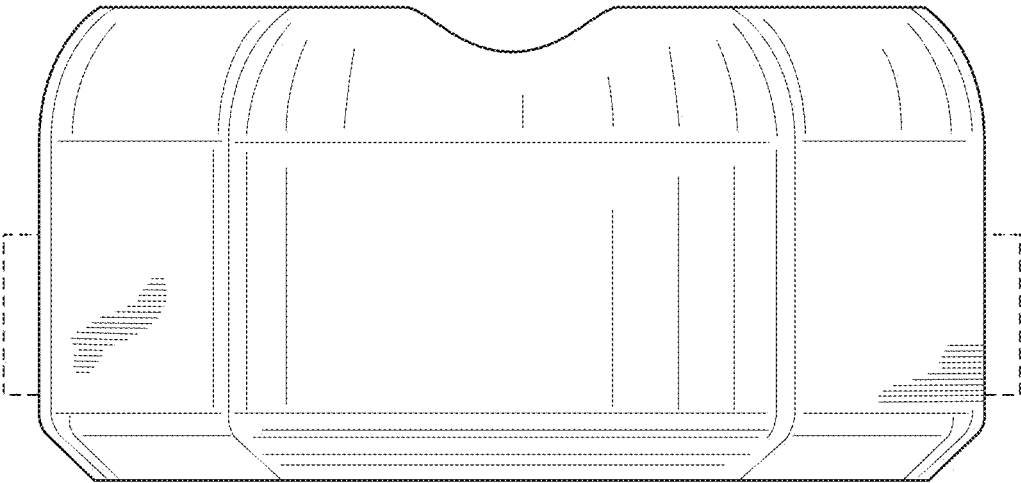


FIG. 5

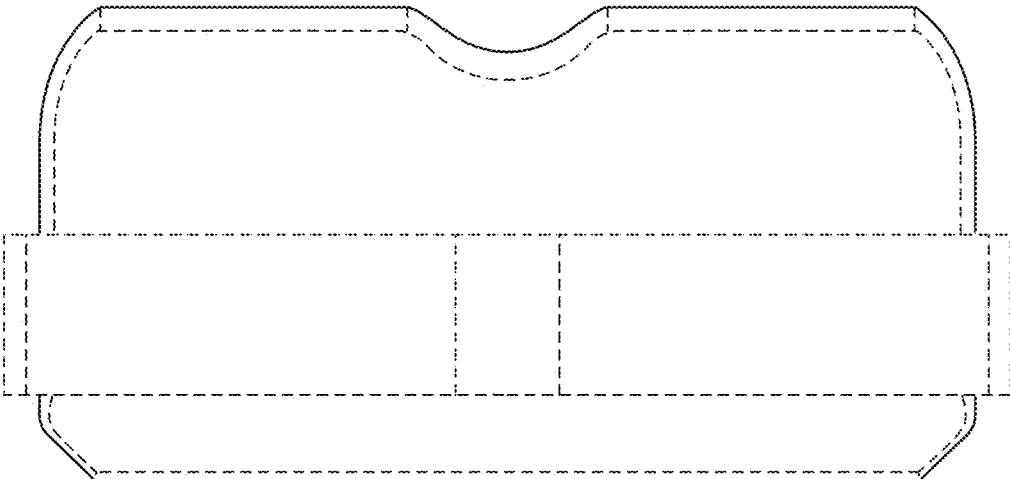


FIG. 6

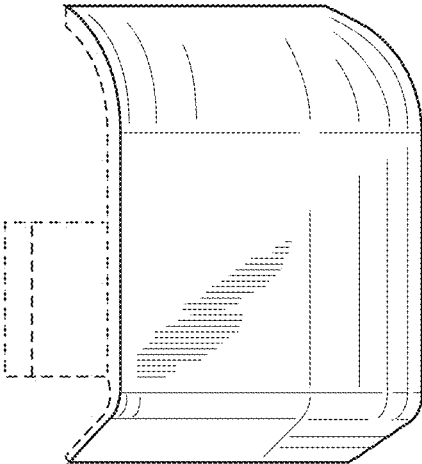


FIG. 7

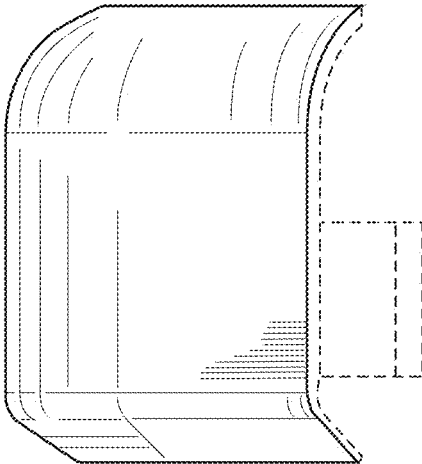


FIG. 8

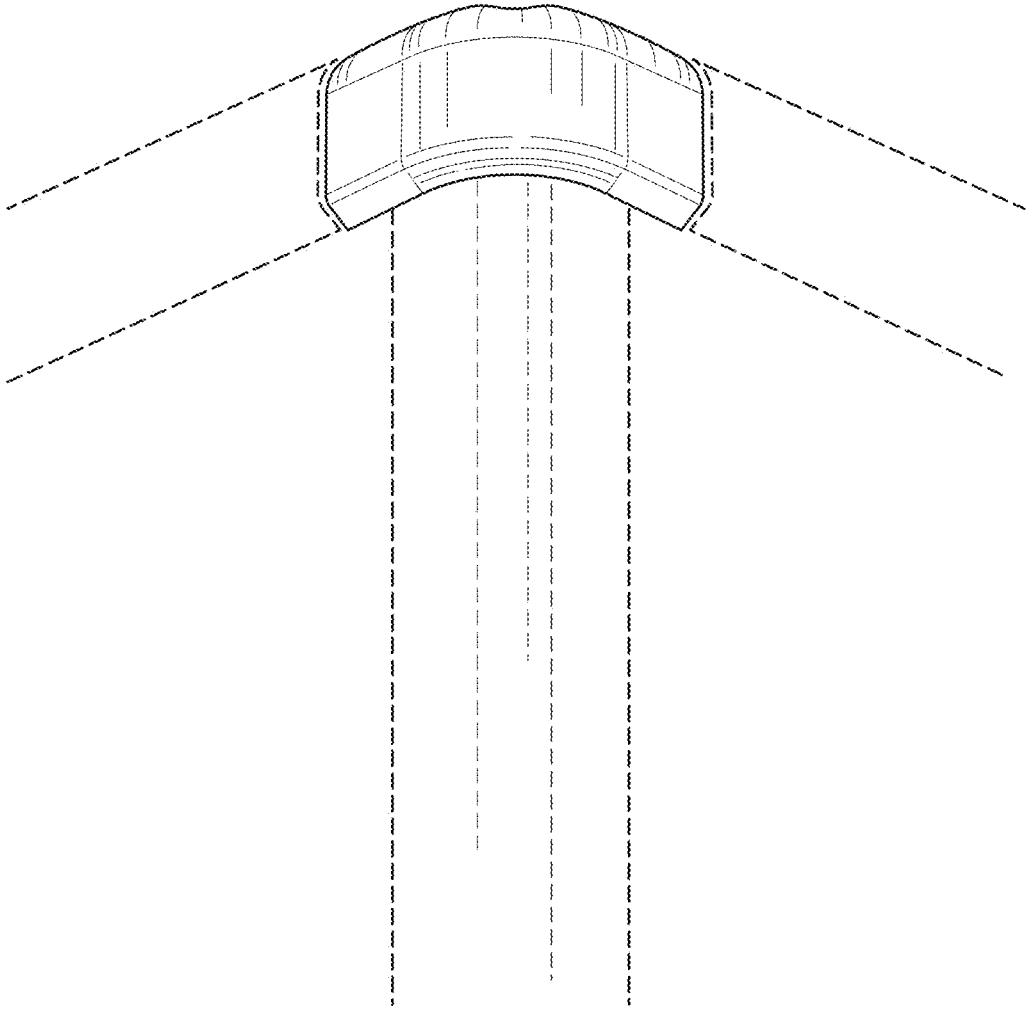


FIG. 9