



US00D339257S

United States Patent [19]

[11] Patent Number: **Des. 339,257**

Scharer et al.

[45] Date of Patent: **** Sep. 14, 1993**

[54] **DESK**

[75] Inventors: **Paul Scharer, Munsingen; Fritz Haller, Solothurn; Rudolf Graf, Konolfingen, all of Switzerland**

[73] Assignee: **USM U. Scharer Sohne AG, Switzerland**

[**] Term: **14 Years**

[21] Appl. No.: **614,732**

[22] Filed: **Nov. 13, 1990**

[52] U.S. Cl. **D6/474; D6/426**

[58] Field of Search **D6/419-428, D6/429-431, 474, 480, 484, 487, 477-479; 312/194-196; 108/92, 3**

[56] **References Cited**

U.S. PATENT DOCUMENTS

D. 243,984	4/1977	Christen, Jr.	D6/474 X
D. 266,467	0/1982	Ylänkö	D6/474 X
D. 267,690	1/1983	Verdesca	D6/426
D. 279,740	7/1985	Slager	D6/478

D. 283,094	3/1986	Strand et al.	D6/478
D. 294,440	3/1988	Werner	D6/422
D. 302,890	8/1989	Ng et al.	D6/487 X
D. 306,101	2/1990	Borsani	D6/426 X
D. 318,963	8/1991	Haseke et al.	D6/474
D. 323,436	1/1992	Harrison	D6/429
4,469,029	9/1984	Ramond	108/3

Primary Examiner—Carmen H. Vales-Lado
Attorney, Agent, or Firm—Robin, Blecker, Daley & Driscoll

[57] CLAIM

The ornamental design for a desk, as shown and described.

DESCRIPTION

FIG. 1 is a perspective view of a desk showing our new design; FIG. 2 is a front elevation of the desk of FIG. 1; FIG. 3 is a top plan view of the desk of FIG. 1; FIG. 4 is a rear elevation of the desk of FIG. 1; FIG. 5 is a bottom plan view of the desk of FIG. 1; FIG. 6 is a left side elevation of the desk of FIG. 1; and, FIG. 7 is a right side elevation of the desk of FIG. 1.





FIG. 1

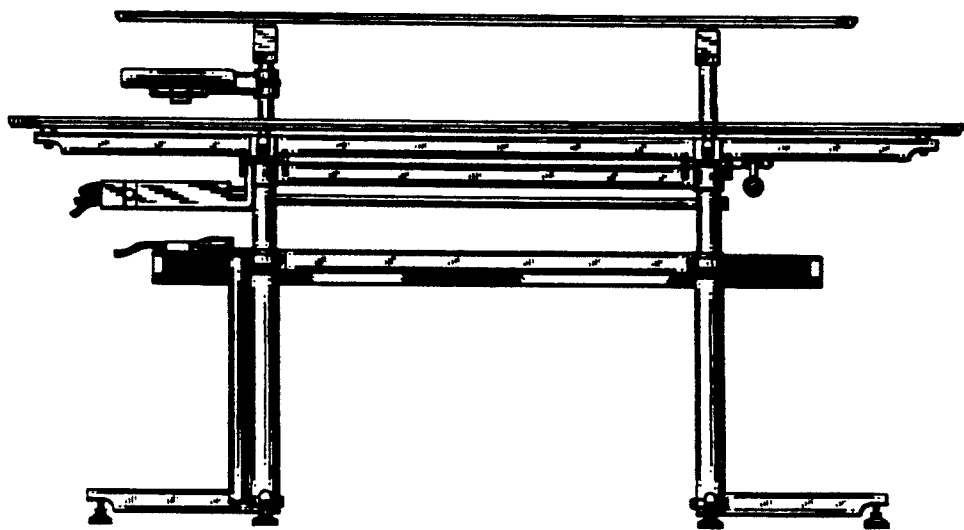


FIG. 2

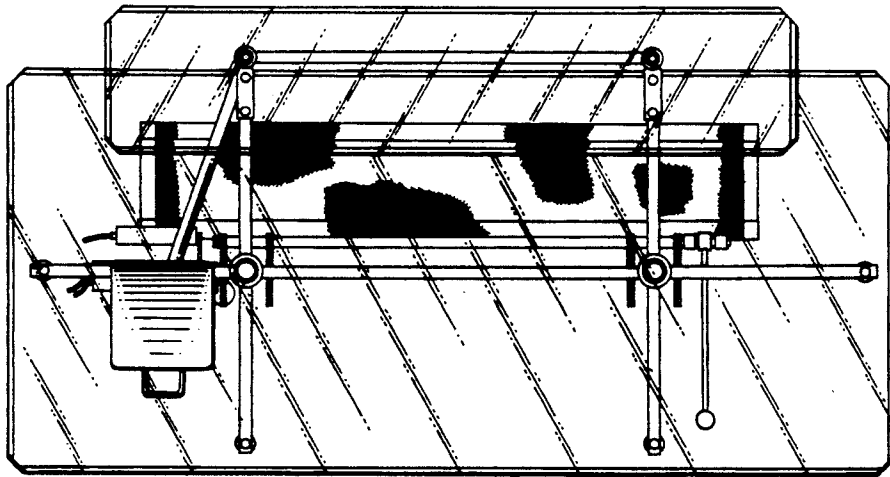


FIG. 3

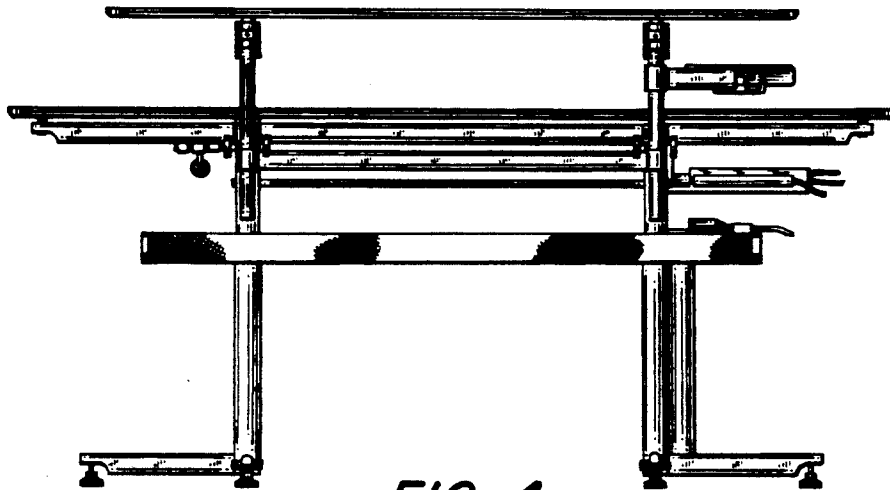


FIG. 4

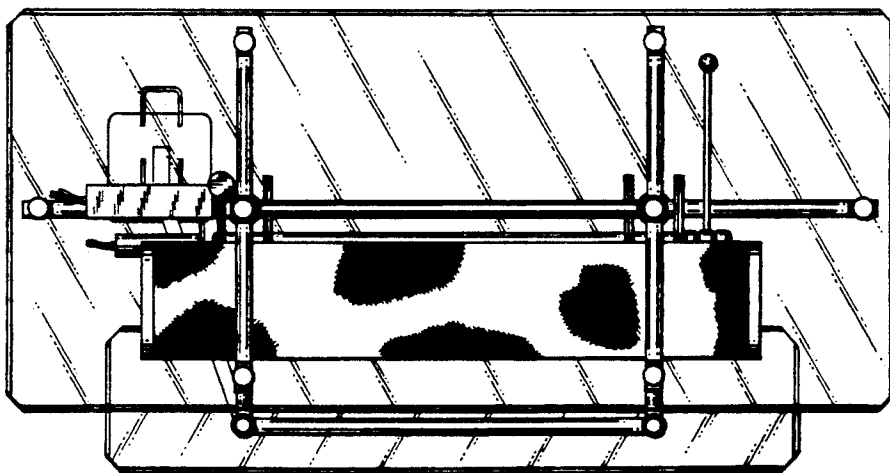


FIG. 5

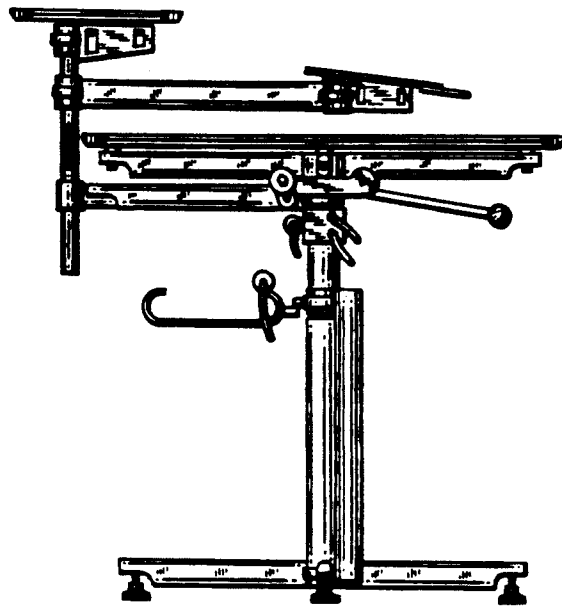


FIG. 6

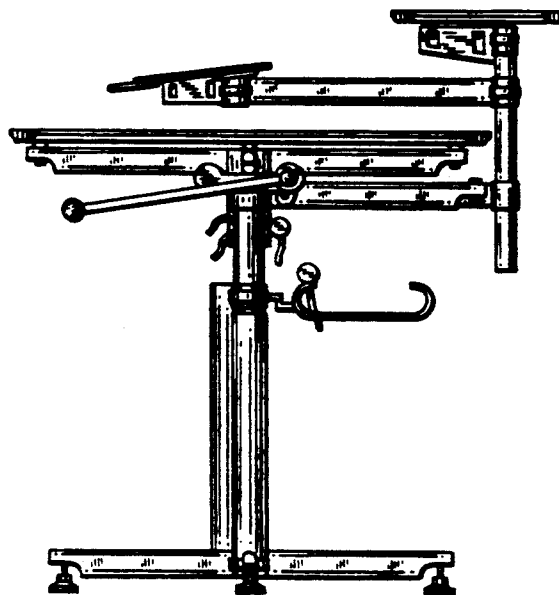


FIG. 7