



US00D928444S

(12) **United States Design Patent**
Zhao

(10) **Patent No.:** **US D928,444 S**

(45) **Date of Patent:** **** Aug. 17, 2021**

- (54) **FISHING MAGNET**
- (71) Applicant: **Huan Zhao**, Zhejiang (CN)
- (72) Inventor: **Huan Zhao**, Zhejiang (CN)
- (73) Assignee: **Ningbo Auto-Tech Technology Co., Ltd.**, Ningbo (CN)
- (**) Term: **15 Years**
- (21) Appl. No.: **29/761,359**
- (22) Filed: **Dec. 9, 2020**
- (51) **LOC (13) Cl.** **12-05**
- (52) **U.S. Cl.**
USPC **D34/35**
- (58) **Field of Classification Search**
USPC D34/28, 33, 35; D8/14, 387; D22/136
CPC H01F 7/0257; B66C 1/00; B66C 1/04
See application file for complete search history.

- 6,557,429 B1 * 5/2003 Asquith B66C 1/04
335/212
- 6,652,012 B1 * 11/2003 Fuller B66C 1/66
294/215
- 6,683,521 B2 * 1/2004 Snider H01F 7/0231
294/65.5
- 6,854,777 B2 * 2/2005 Jung B66C 1/04
294/65.5
- D542,505 S 5/2007 Alba
- D769,705 S * 10/2016 Moreau D8/387
- D814,257 S * 4/2018 Berndt D8/14
- D816,935 S 5/2018 Maness
- D852,150 S 6/2019 Turksu
- D895,923 S 9/2020 Jie

(Continued)

(56) **References Cited**

U.S. PATENT DOCUMENTS

- 4,431,352 A * 2/1984 Andrews B66C 1/66
248/499
- 4,802,702 A * 2/1989 Bownds A47L 13/41
294/65.5
- 5,248,176 A * 9/1993 Fredriksson B66C 1/66
294/215
- D417,328 S * 11/1999 Kwon D34/35
- 6,002,317 A * 12/1999 Pignataro B23Q 3/1543
335/285
- 6,076,873 A * 6/2000 Jung H01F 7/04
294/65.5
- 6,104,271 A * 8/2000 Barrett B03C 1/28
335/291
- D446,701 S * 8/2001 Coleman, Jr. D8/14
- 6,331,810 B1 * 12/2001 Jung B66C 1/04
269/8
- 6,443,514 B1 * 9/2002 Fuller B66C 1/66
294/215

OTHER PUBLICATIONS

King Kong Fishing Magnet, Amazon.com. First Available Jul. 23, 2019.*

(Continued)

Primary Examiner — Philip S Hyder

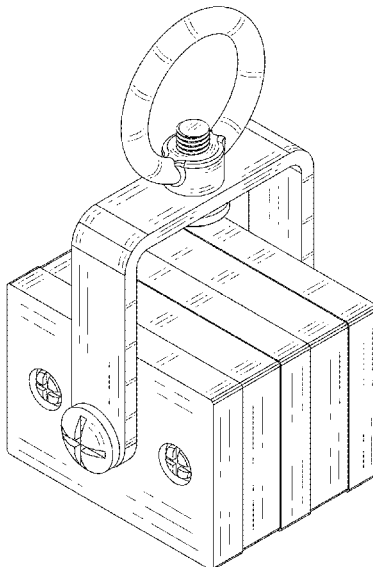
(57) **CLAIM**

The ornamental design for a fishing magnet, as shown and described.

DESCRIPTION

FIG. 1 is a perspective view of a fishing magnet showing my new design;
 FIG. 2 is a front elevational view thereof;
 FIG. 3 is a rear elevational view thereof;
 FIG. 4 is a left side elevational view thereof;
 FIG. 5 is a right side elevational view thereof;
 FIG. 6 is a top plan view thereof;
 FIG. 7 is a bottom plan view thereof;
 FIG. 8 is another perspective view thereof; and,
 FIG. 9 is another perspective view thereof.

1 Claim, 9 Drawing Sheets



(56)

References Cited

U.S. PATENT DOCUMENTS

D908,477 S * 1/2021 Liu D8/387
2014/0037418 A1 * 2/2014 Syrowik H01F 7/0257
414/800

OTHER PUBLICATIONS

625 Lb Fishing Magnet, Amazon.com. First Available Dec. 10,
2019.*

* cited by examiner

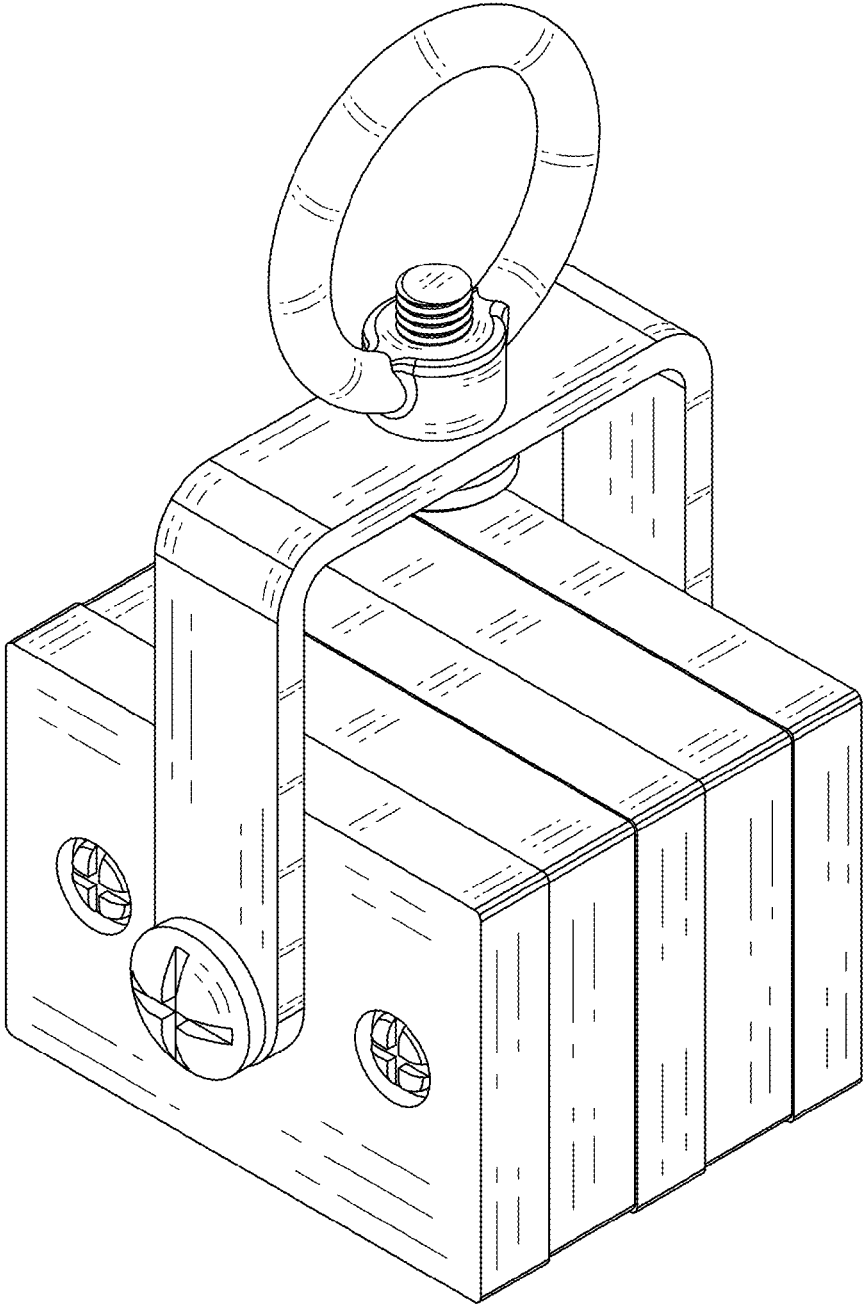


FIG.1

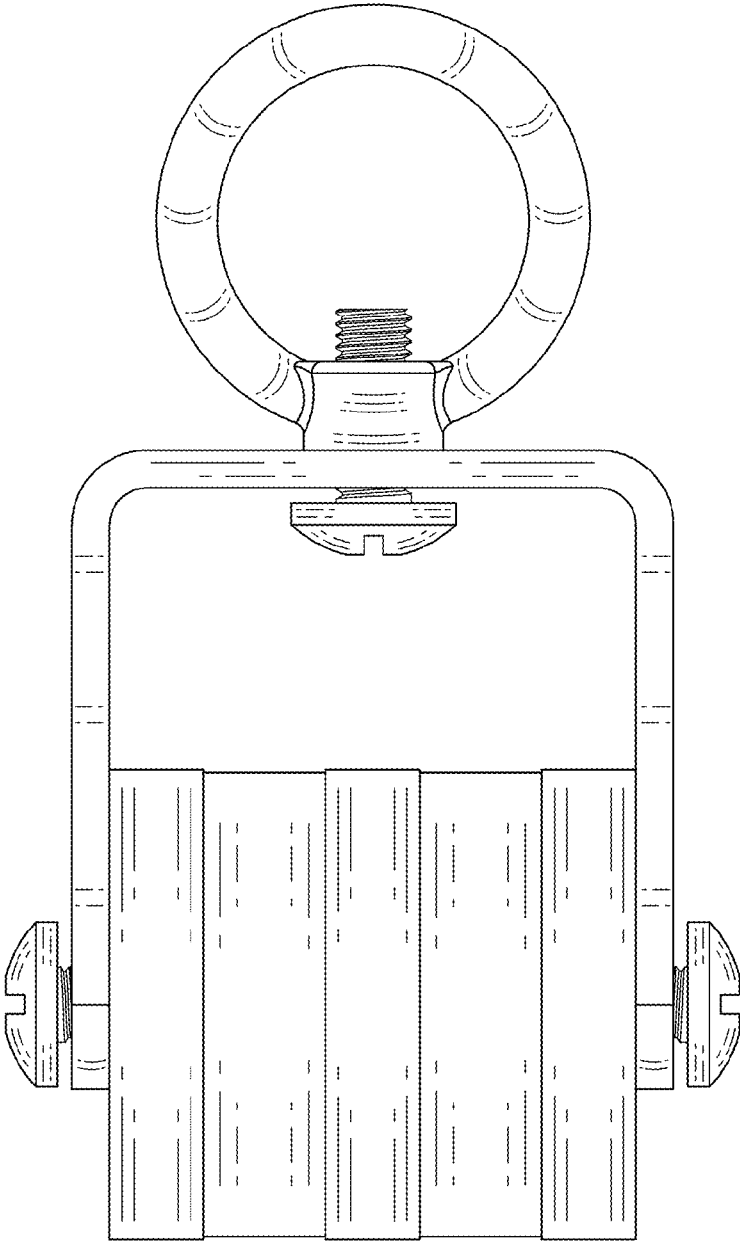


FIG.2

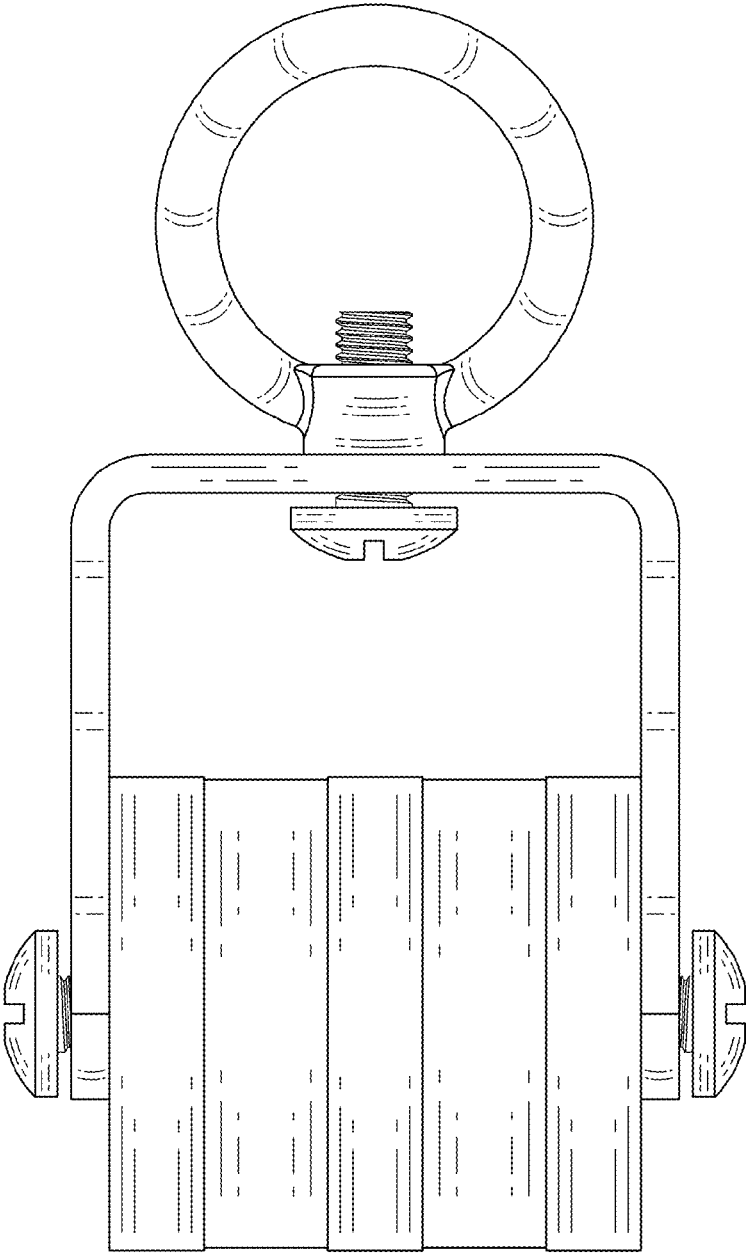


FIG.3

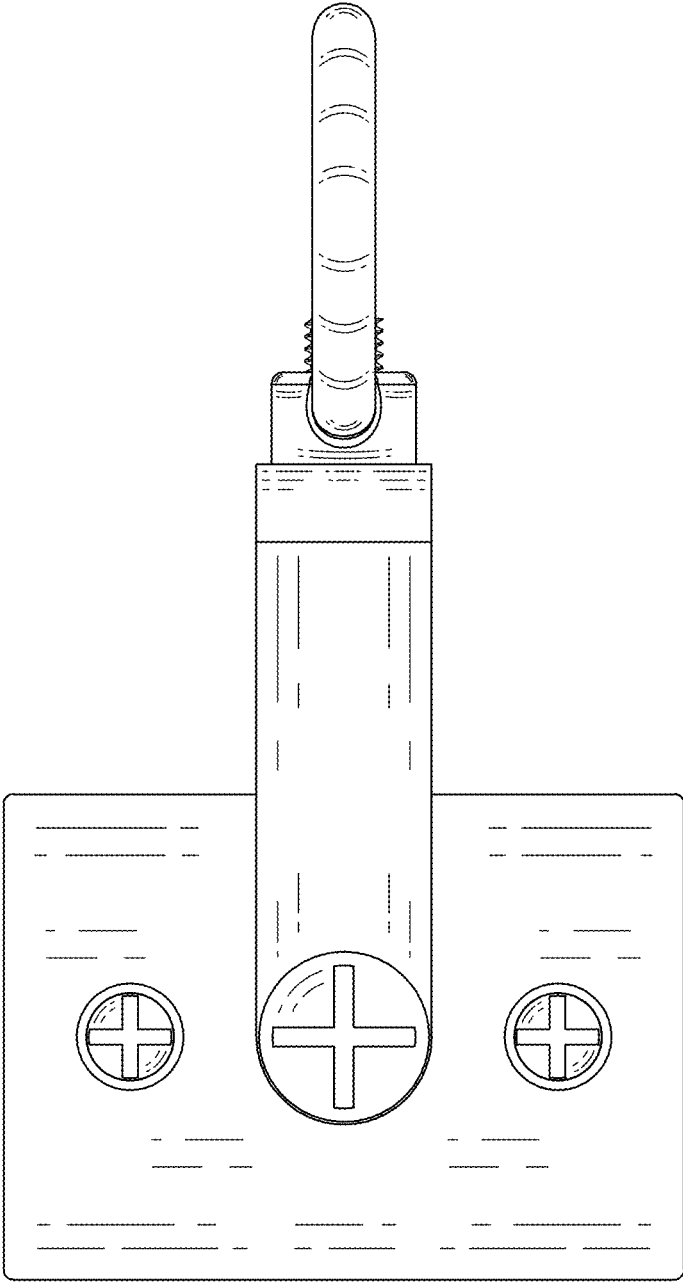


FIG.4

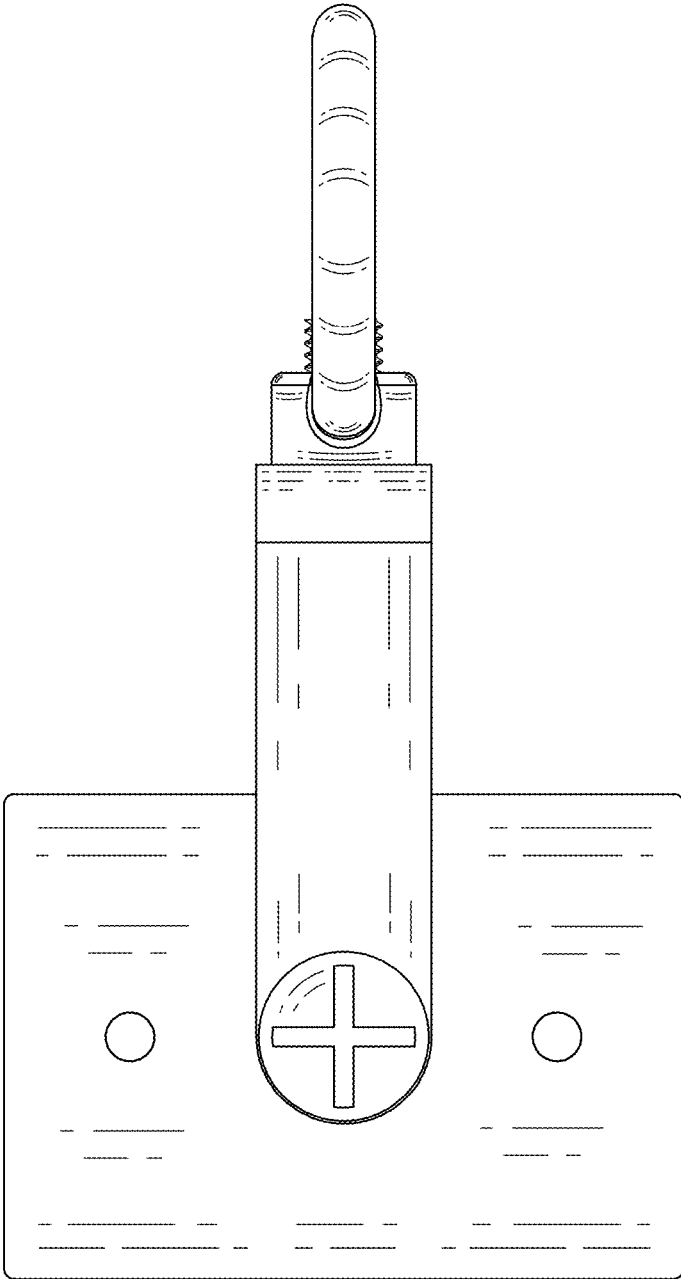


FIG.5

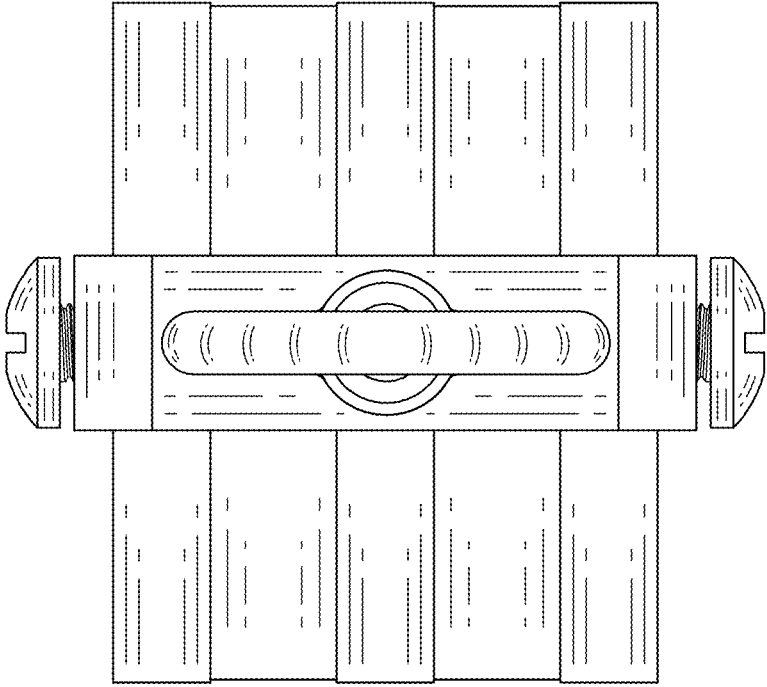


FIG.6

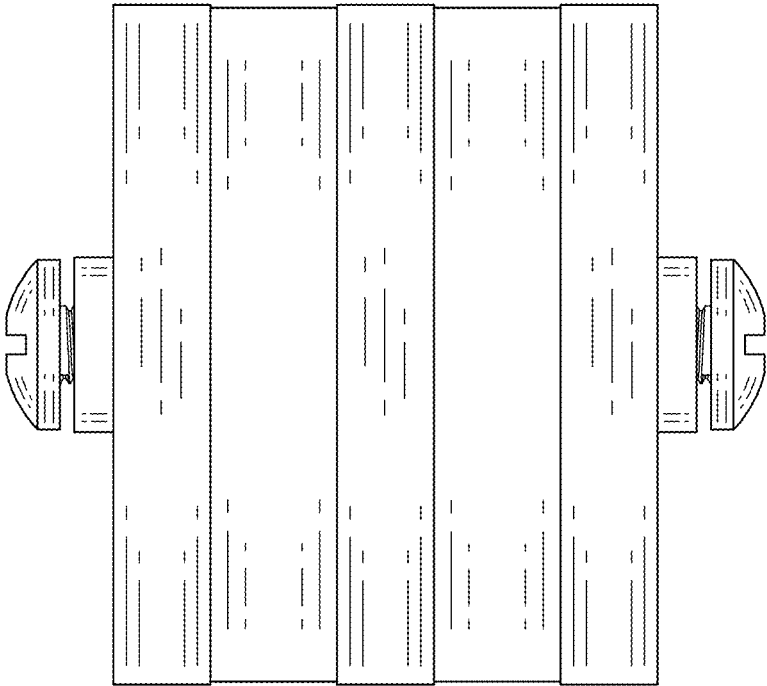


FIG.7

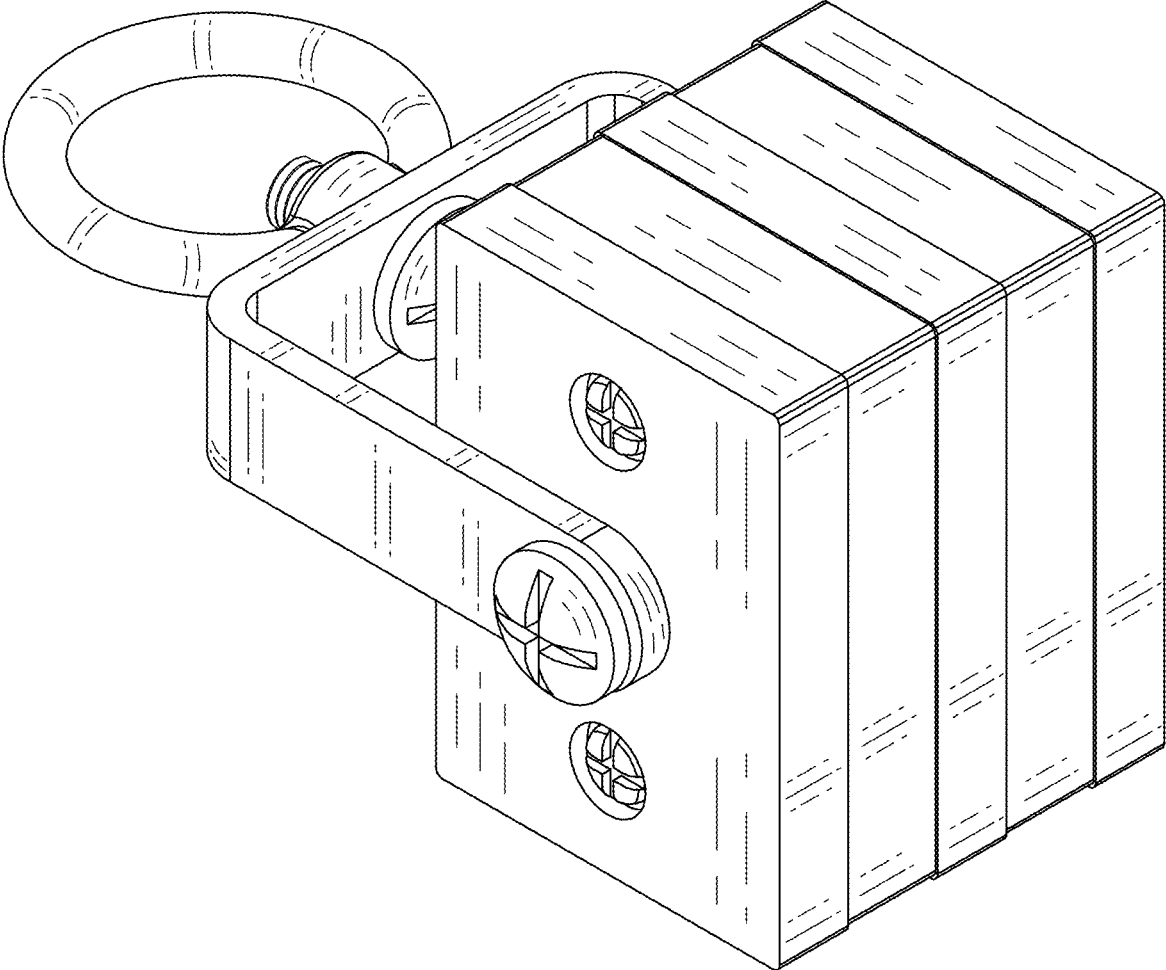


FIG.8

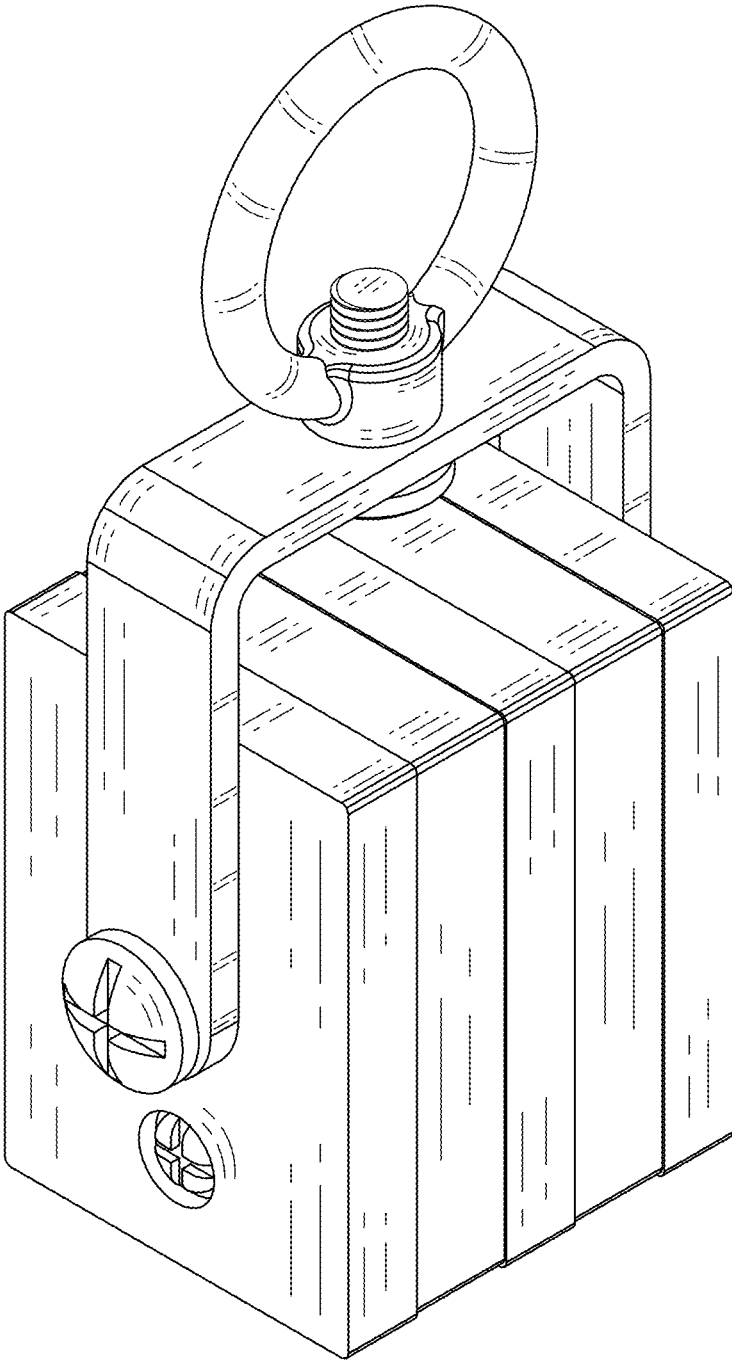


FIG.9