



US00D862768S

(12) **United States Design Patent**  
**Richardson**

(10) **Patent No.:** **US D862,768 S**

(45) **Date of Patent:** **\*\* Oct. 8, 2019**

- (54) **HANGING LIGHT ASSEMBLY**
- (71) Applicant: **Gold Crest LLC**, Santa Barbara, CA (US)
- (72) Inventor: **Pat Richardson**, Santa Barbara, CA (US)
- (73) Assignee: **Gold Crest, LLC**, Santa Barbara, CA (US)
- (\*\*) Term: **15 Years**
- (21) Appl. No.: **29/649,865**
- (22) Filed: **Jun. 1, 2018**
- (51) **LOC (12) Cl.** ..... **26-03**
- (52) **U.S. Cl.**  
USPC ..... **D26/84**
- (58) **Field of Classification Search**  
USPC ..... D26/80, 81, 82, 83, 84, 85, 86, 88, 90, D26/91, 131, 135  
CPC ..... F21S 8/03; F21S 8/04; F21S 8/043; F21S 8/046; F21S 8/06; F21S 8/061; F21S 8/063; F21S 8/065; F21S 8/068  
See application file for complete search history.

- 4,432,042 A 2/1984 Zeller
- D283,056 S 3/1986 Ansems
- D301,753 S 6/1989 Charet et al.
- D304,768 S \* 11/1989 Dicola ..... D26/84
- D328,358 S 7/1992 Tsang  
(Continued)

**OTHER PUBLICATIONS**

Brayden Studio Quintero 1-Light Teardrop Pendant, SKU: BYST6507. From wayfair.com visited May 8, 2019. (Year: 2019).\*  
(Continued)

*Primary Examiner* — Clare E Heflin  
(74) *Attorney, Agent, or Firm* — Tsircou Law, P.C.

(57) **CLAIM**

I claim the ornamental design for a hanging light assembly, as shown and described.

**DESCRIPTION**

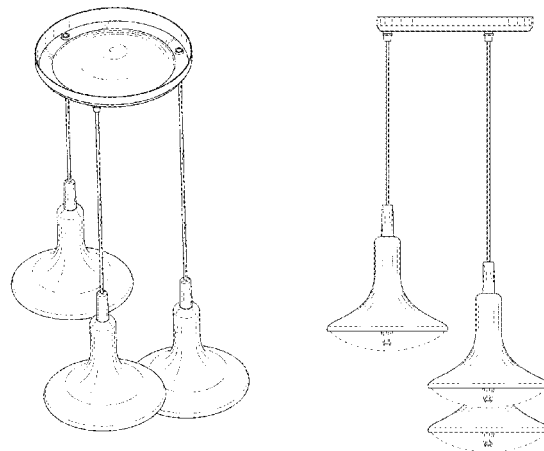
FIG. 1 a perspective view of a hanging light assembly showing the new design.  
 FIG. 2 is a front view of the hanging light assembly of FIG. 1.  
 FIG. 3 is a top plan view of the hanging light assembly of FIG. 1.  
 FIG. 4 is a bottom plan view of the hanging light assembly of FIG. 1.  
 FIG. 5 is a side view of the hanging light assembly of FIG. 1.  
 FIG. 6 is an opposite side view of the hanging light assembly of FIG. 1.  
 FIG. 7 is a rear view of the hanging light assembly of FIG. 1; and,  
 FIG. 8 is an enlarged cross sectional view, taken along line A-A in FIG. 5, of the axially symmetric base of the hanging light assembly of FIG. 1.  
 The dashed lines shown on the drawings depict portions of the hanging light assembly that form no part of the claimed design.

(56) **References Cited**

**U.S. PATENT DOCUMENTS**

D35,141 S *	10/1901	Green	.....	D26/131
D38,155 S *	8/1906	Bates	.....	D26/84
D38,448 S *	2/1907	Noe, Jr.	.....	D26/131
D40,995 S *	11/1910	Gardiner	.....	D26/88
D50,208 S *	1/1917	Peck	.....	D26/131
D57,419 S *	3/1921	Adam	.....	D26/88
D73,864 S *	11/1927	Owen	.....	D26/131
D74,314 S *	1/1928	Owen	.....	D26/131
D77,096 S *	12/1928	Maerz	.....	D26/88
D105,452 S *	7/1937	Jaffe et al.	.....	D26/88
D208,203 S *	8/1967	Poling	.....	D26/81
4,238,816 A	12/1980	Merlo		

**1 Claim, 8 Drawing Sheets**



(56)

References Cited

U.S. PATENT DOCUMENTS

5,613,771 A 3/1997 Siverling  
 D397,468 S 8/1998 Zeller  
 5,822,546 A 10/1998 George  
 D411,639 S 6/1999 Yang  
 D418,240 S 12/1999 Sherman  
 D425,651 S 5/2000 Gager et al.  
 D427,703 S 7/2000 Chan  
 D435,679 S 12/2000 Naghi et al.  
 6,172,884 B1 1/2001 Lanni  
 D446,337 S \* 8/2001 Benghozi ..... D26/86  
 D448,104 S 9/2001 Weitzman et al.  
 6,361,184 B1 3/2002 Hallgrimsson et al.  
 D456,923 S 5/2002 Konig  
 6,386,724 B2 5/2002 Naghi  
 6,465,987 B1 10/2002 Haas et al.  
 D476,106 S 6/2003 Kim  
 6,586,849 B2 7/2003 Tarr  
 6,680,844 B2 1/2004 Kim  
 6,711,006 B2 3/2004 Chen  
 D490,553 S 5/2004 Waldmann  
 6,749,314 B2 6/2004 Naghi et al.  
 6,773,192 B1 8/2004 Chao  
 6,808,289 B2 10/2004 Reed  
 D498,322 S 11/2004 Schnell  
 6,851,819 B2 2/2005 Naghi et al.  
 D506,279 S 6/2005 Sirichai et al.  
 6,921,284 B2 7/2005 Sirichai et al.  
 7,004,596 B2 2/2006 Merrem  
 D522,677 S 6/2006 Ming  
 D526,340 S 8/2006 Hodgson  
 D529,651 S 10/2006 Chan  
 D562,485 S 2/2008 Brown  
 D567,431 S 4/2008 Garner et al.  
 D589,645 S 3/2009 Citterio  
 7,541,692 B2 6/2009 Hirst et al.  
 D608,925 S 1/2010 Hodgson  
 7,649,279 B2 1/2010 Lanni  
 7,727,031 B2 6/2010 Lord  
 D629,132 S 12/2010 Huang  
 D636,513 S 4/2011 Furtusch  
 D641,902 S 7/2011 Chan  
 D649,674 S \* 11/2011 Sabernig ..... D26/84  
 D669,627 S 10/2012 Huang  
 D688,289 S 8/2013 Hodgson

D698,962 S 2/2014 Waldmann  
 D700,391 S \* 2/2014 Sabernig ..... D26/84  
 D709,637 S \* 7/2014 Terzani ..... D26/83  
 D725,306 S \* 3/2015 Salvagno ..... D26/84  
 D744,153 S 11/2015 Hodgson  
 D744,693 S 12/2015 Kitts  
 D754,382 S 4/2016 van Oord  
 D754,909 S \* 4/2016 Toft Hansen ..... D26/88  
 D768,077 S 10/2016 Wahl  
 D768,908 S 10/2016 Fisher et al.  
 D769,512 S 10/2016 Edgar et al.  
 D776,336 S 1/2017 Ng et al.  
 D788,961 S 6/2017 Edgar et al.  
 D788,962 S 6/2017 Edgar et al.  
 D788,974 S 6/2017 Edgar et al.  
 D790,751 S 6/2017 Kaiser  
 D802,201 S 11/2017 Xu  
 D818,180 S \* 5/2018 Gambrel ..... D26/88  
 D820,502 S \* 6/2018 Hoffmann ..... D26/88  
 2001/0043468 A1 11/2001 Krietzman et al.  
 2001/0048409 A1 12/2001 Kim  
 2002/0186563 A1 12/2002 Krietzman et al.  
 2003/0223228 A1 12/2003 Krietzman  
 2004/0017677 A1 1/2004 Krietzman  
 2004/0042735 A1 3/2004 Ma  
 2004/0090795 A1 5/2004 Kim  
 2005/0083677 A1 4/2005 Krietzman  
 2006/0109620 A1 5/2006 Kim  
 2017/0067625 A1 3/2017 Edgar et al.

OTHER PUBLICATIONS

Lantern Pendant from lyngard.com. © Lyngard 2018. (Year: 2018).\*  
 One Light Pendant SKU: 438778 from shop.elementsathome.com  
 visited May 8, 2019. (Year: 2019).\*  
 Room Pendant Lights/ Luxury Glass Wine Bottles Shape Hanging  
 Lamps/ from dhgate.com visited May 8, 2019. (Year: 2019).\*  
 85-265v Tom Dixon Pendant Lamp, at dhgate.com as early as Oct.  
 1, 2018. (Year: 2018).\*  
 Josep Patsi, Sixties 00-3689-CI-CI, LEDS C4, Apr. 8, 2014, 3  
 pages, (source: sparksdirect.co.uk).  
 Josep Patsi, Sixties 00-3806-CI-CI, LEDS C4, Mar. 3, 2014, 4  
 pages, (source: sparksdirect.co.uk).  
 Lucidi E Pevere From Foscarini, Aplomb Mini Pendant Light, 2  
 pages, (source: yliving.com).

\* cited by examiner

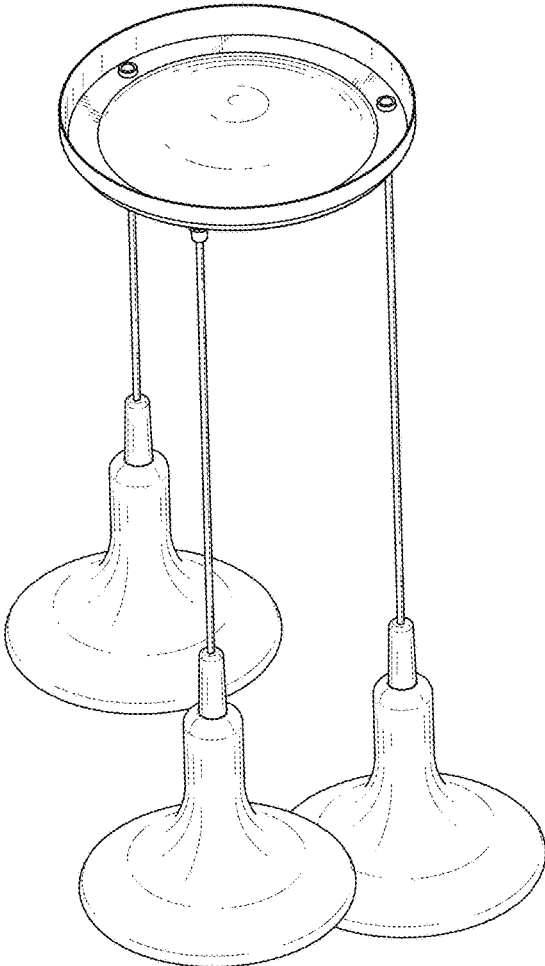


FIG. 1

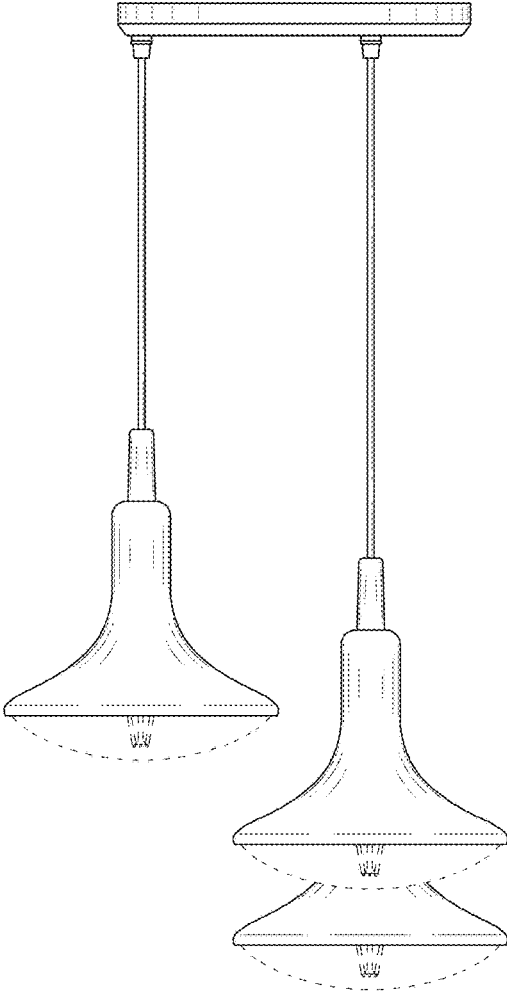


FIG. 2

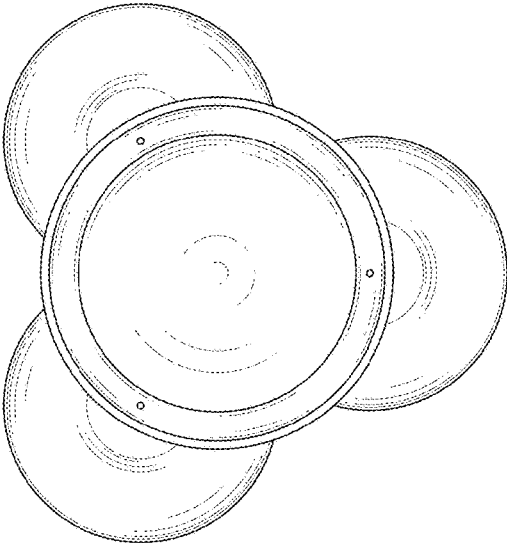


FIG. 3

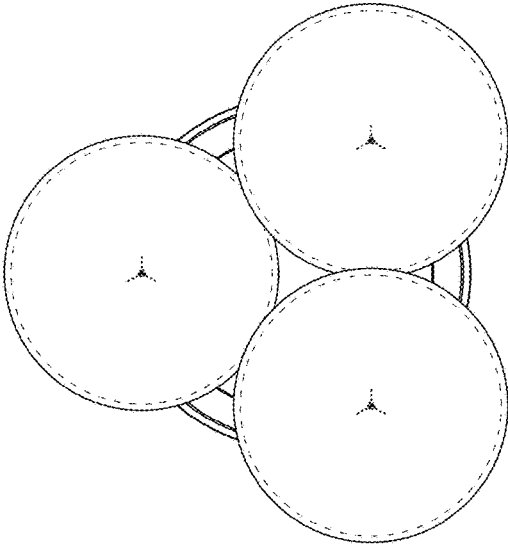


FIG. 4

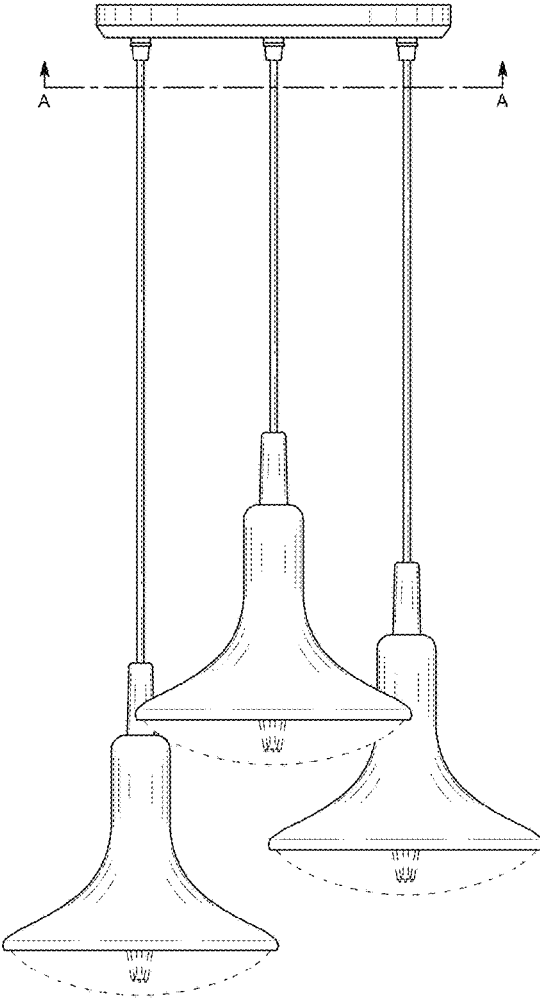


FIG.5

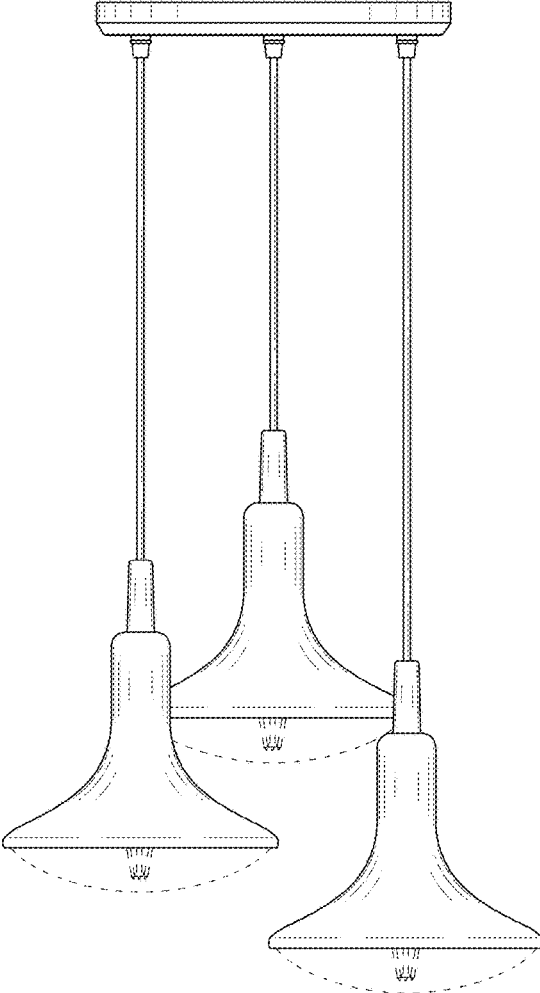


FIG. 6



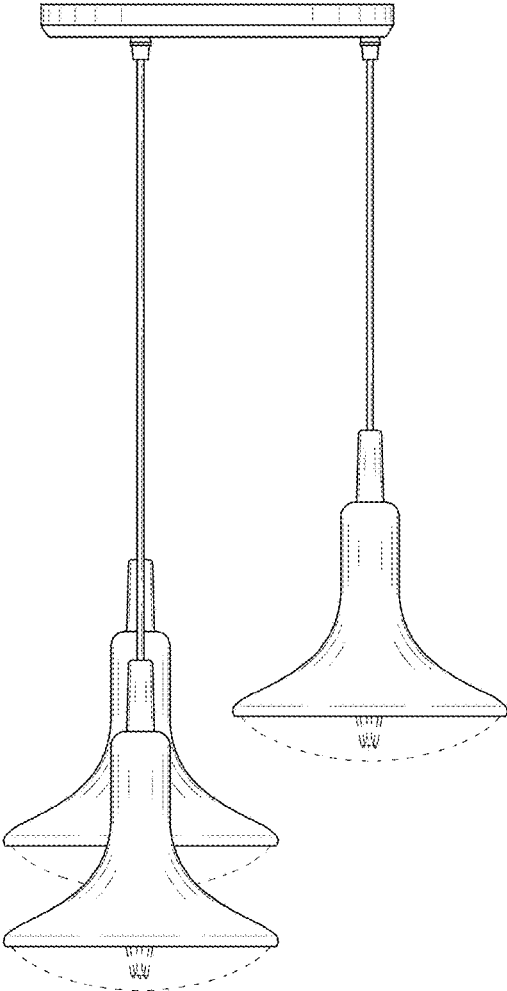


FIG. 7

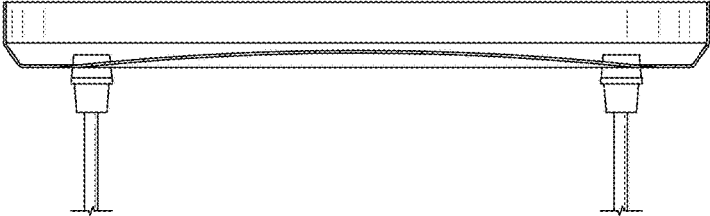


FIG. 8