



US00D807694S

(12) **United States Design Patent**
Jewett

(10) **Patent No.:** **US D807,694 S**
(45) **Date of Patent:** **** Jan. 16, 2018**

- (54) **CONTAINER BASE**
- (71) Applicant: **Paul E. Jewett**, Whitman, MA (US)
- (72) Inventor: **Paul E. Jewett**, Whitman, MA (US)
- (**) Term: **15 Years**
- (21) Appl. No.: **29/541,316**
- (22) Filed: **Oct. 2, 2015**
- (51) **LOC (11) Cl.** **07-99**
- (52) **U.S. Cl.**
USPC **D7/397**; D7/619.1; D7/387; D7/396.6
- (58) **Field of Classification Search**
USPC D7/387, 388, 392.1, 396.2, 396.1, 396.6,
D7/397, 398, 601, 602, 600.1, 604, 619.1,
D7/399; D24/199, 183; 222/185.1;
220/737; D21/788, 715; D6/552
CPC A47J 31/46; A47J 31/407; A47J 31/50;
A47J 31/18; A47F 1/03; A47F 3/00
See application file for complete search history.

D560,447 S *	1/2008	Breen	D7/619.1
D562,065 S *	2/2008	Smaldone	D7/387
D569,693 S *	5/2008	Zell	D7/387
D578,355 S *	10/2008	Arney	D7/601
D578,831 S *	10/2008	Loibl	D7/619.1
D580,230 S *	11/2008	Arney	D7/601
D618,994 S *	7/2010	Suzuki	D7/387
D625,137 S *	10/2010	Sabadicci	D7/300
D627,612 S *	11/2010	Falk	D7/619.1
D637,035 S *	5/2011	Zorovich	D7/387
D651,471 S *	1/2012	Harrington	D7/601
2013/0341355 A1 *	12/2013	Weaver	B67D 1/16 222/108

(56) **References Cited**

U.S. PATENT DOCUMENTS

2,324,575 A *	7/1943	Groedel	B65D 35/56 248/108
D197,828 S *	3/1964	Reis	D24/199
D198,488 S *	6/1964	Reis	D19/75
D225,156 S *	11/1972	Reid	D7/213
D291,848 S *	9/1987	Cadman	D7/388
D298,105 S *	10/1988	Lamantia, Jr.	D9/414
D330,147 S *	10/1992	Garber	D7/619.1
D363,549 S *	10/1995	Ye	D24/199
5,662,241 A *	9/1997	Sorensen	B65D 23/001 220/630
D408,229 S *	4/1999	Hong	D7/601
D424,698 S *	5/2000	Ames	D24/183
D439,671 S *	3/2001	Casillo	D24/199
D455,607 S *	4/2002	Johnson	D7/387
D494,421 S *	8/2004	Nanninga	D7/601

OTHER PUBLICATIONS

Industrial design collection, (c) Questel, downloaded from www.orbit.com on May 29, 2015.
San Francisco 49ers Football Snack Dispenser, downloaded from www.amazon.com on May 29, 2015.

(Continued)

Primary Examiner — Marianne Pandozzi
Assistant Examiner — Jae Liang
(74) *Attorney, Agent, or Firm* — Burns & Levinson LLP;
Orlando Lopez; Marlo Schepper Grolnic

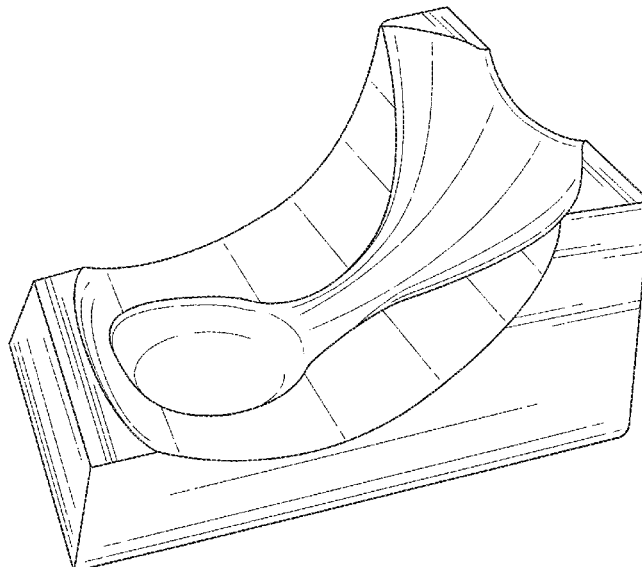
(57) **CLAIM**

The ornamental design for a container base, as shown and described.

DESCRIPTION

FIG. 1 is a perspective view of a container base showing my new design;
FIG. 2 is a front view thereof;
FIG. 3 is a rear view thereof;
FIG. 4 is a side view thereof;
FIG. 5 is a top view thereof; and,
FIG. 6 is a bottom view thereof.

1 Claim, 5 Drawing Sheets



(56)

References Cited

OTHER PUBLICATIONS

Football Shaped Snack Dispenser, downloaded from www.oempromo.com on May 29, 2015.

Post-it® Pop-up Notes Dispenser for 3 in x3 in Notes, Football Shape, Dallas Cowboys design, downloaded from www.postit.com on May 29, 2015.

Football Shaped Plastic Candy/Snack Dispenser—Clear Football—Blue & Red Base, downloaded from www.ebay.com on May 29, 2015.

* cited by examiner

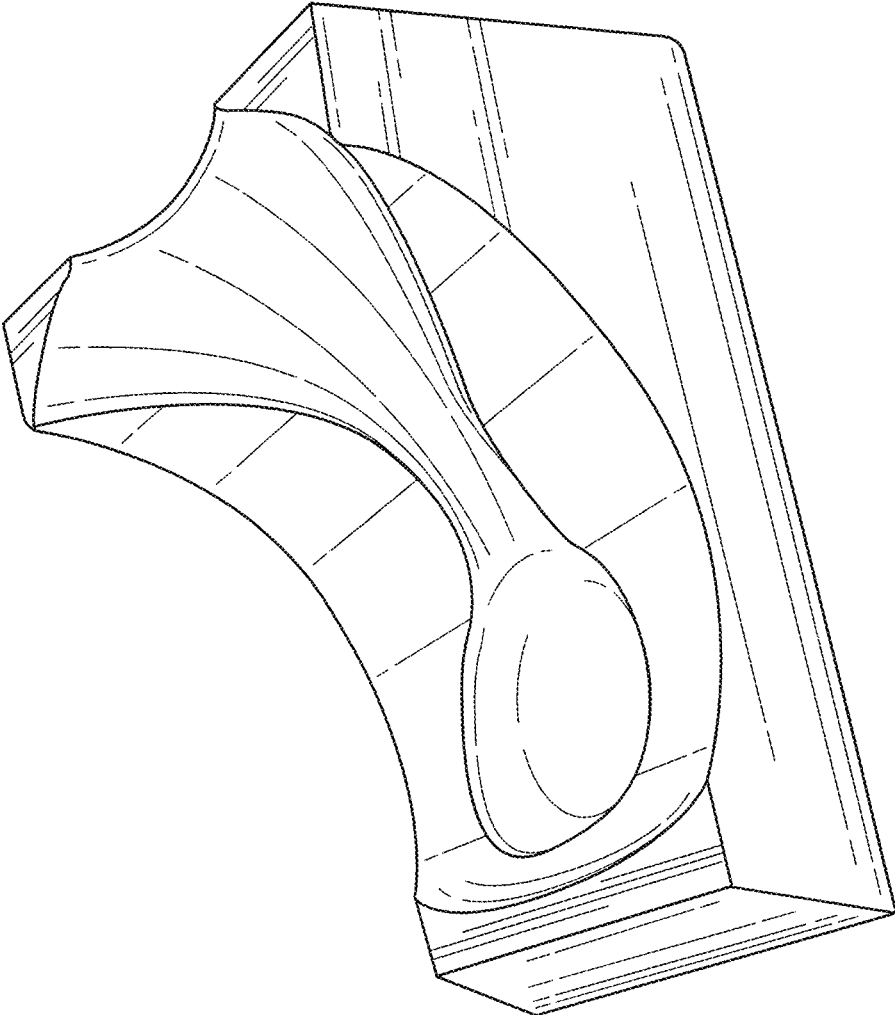


FIG. 1

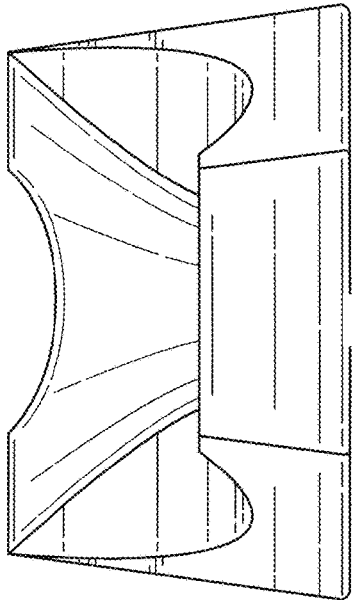


FIG. 2

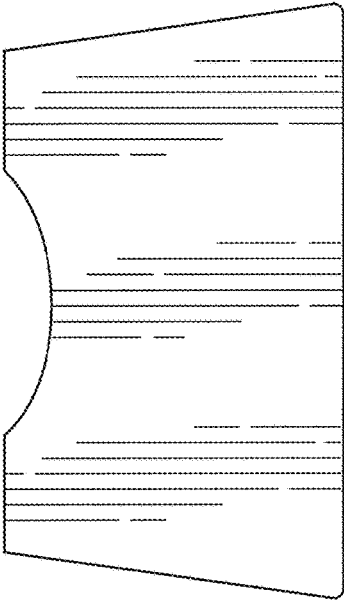


FIG. 3

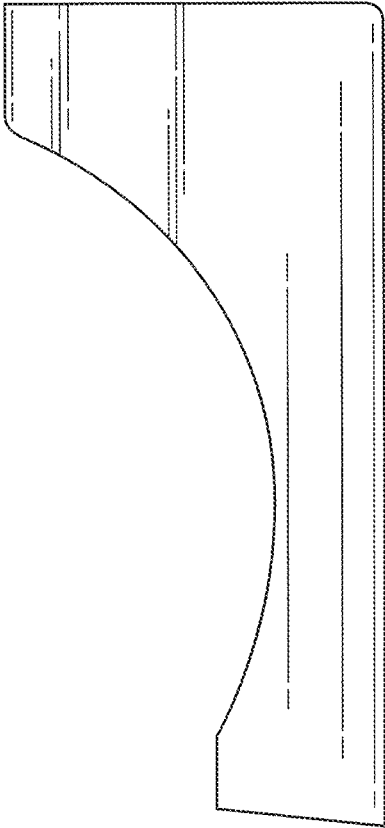


FIG. 4

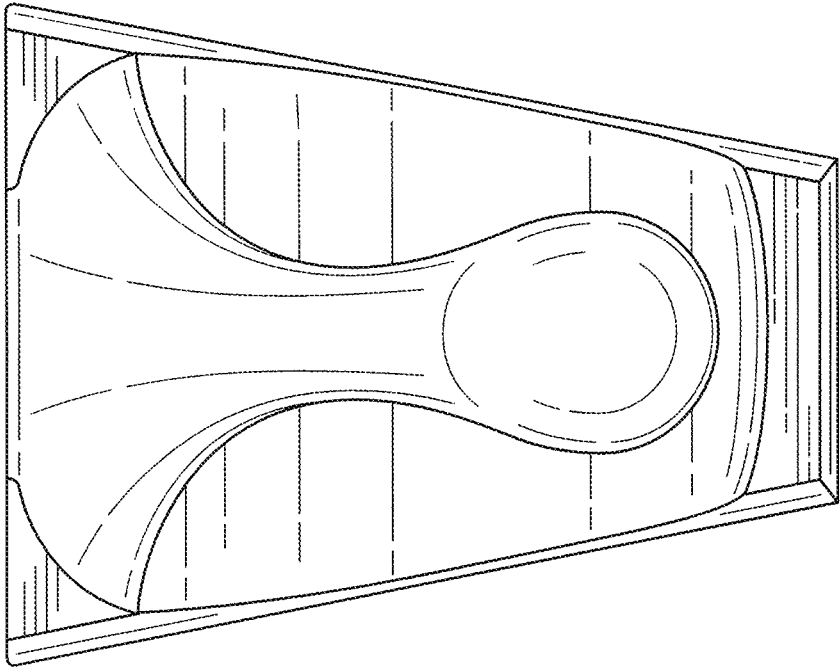


FIG. 5

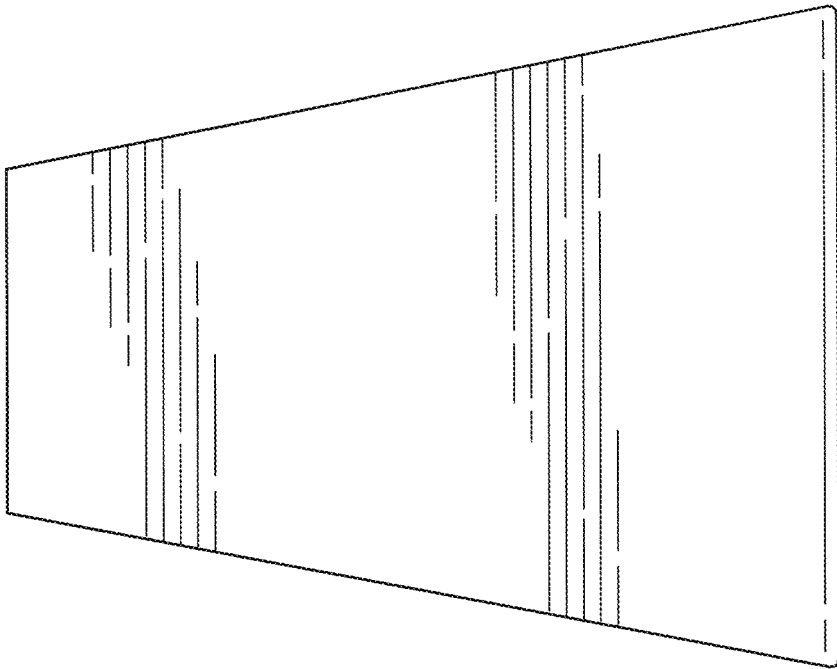


FIG. 6