



US00D890548S

(12) **United States Design Patent**  
**Cai**

(10) **Patent No.:** **US D890,548 S**

(45) **Date of Patent:** **\*\* Jul. 21, 2020**

- (54) **STORAGE RACK**
- (71) Applicant: **Shenzhen Bingsheng Tea Industry Co., Ltd.**, Shenzhen (CN)
- (72) Inventor: **Lingwei Cai**, Shantou (CN)
- (\*\*) Term: **15 Years**
- (21) Appl. No.: **29/728,871**
- (22) Filed: **Mar. 23, 2020**
- (51) **LOC (12) Cl.** ..... **06-04**
- (52) **U.S. Cl.**
- USPC ..... **D6/574**
- (58) **Field of Classification Search**
- USPC ..... D6/574, 648.2, 654, 681.2, 691.9, 705;  
D7/332, 337, 339-341, 346-349,  
D7/350.1-351, 362-363, 323, 402-409,  
D7/550.1, 552.1, 554.3, 554.4; D15/8,  
D15/79, 89; 108/59-60, 91-92, 147.11,  
108/149; 211/153, 186-188, 194, 134,  
211/90.01; D3/304-307, 314-315
- CPC ..... A47J 37/0786; F24C 15/16; F24C 3/082;  
F24C 3/085
- See application file for complete search history.

D546,584 S	7/2007	Brin	
D608,112 S	1/2010	Eilmus	
D650,203 S	12/2011	Klein et al.	
D731,187 S *	6/2015	Thompson	D3/315
D786,557 S *	5/2017	Goodman	D3/306
D811,121 S *	2/2018	Goodman	D6/549
D812,396 S *	3/2018	Wilson	D6/566
D852,539 S *	7/2019	Nilssen	D6/574

\* cited by examiner

*Primary Examiner* — Wan Laymon  
*Assistant Examiner* — Mark Booker  
(74) *Attorney, Agent, or Firm* — HYIP

(57) **CLAIM**

The ornamental design for a storage rack, as shown and described.

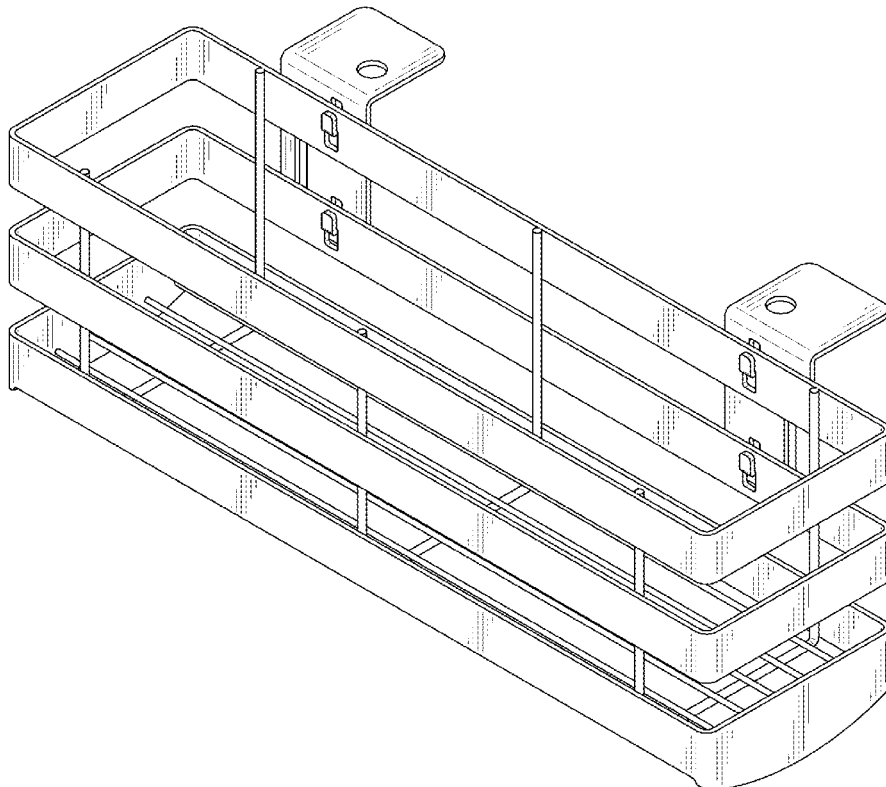
**DESCRIPTION**

FIG. 1 is a first perspective view of a storage rack showing my new design;  
FIG. 2 is a second perspective view thereof;  
FIG. 3 is a front view thereof;  
FIG. 4 is a back view thereof;  
FIG. 5 is a left side view thereof;  
FIG. 6 is a right side view thereof;  
FIG. 7 is a top view thereof; and,  
FIG. 8 is a bottom view thereof.

**1 Claim, 8 Drawing Sheets**

(56) **References Cited**  
**U.S. PATENT DOCUMENTS**

D451,054 S *	11/2001	Thom	D3/307
D493,995 S *	8/2004	Chen	D6/553



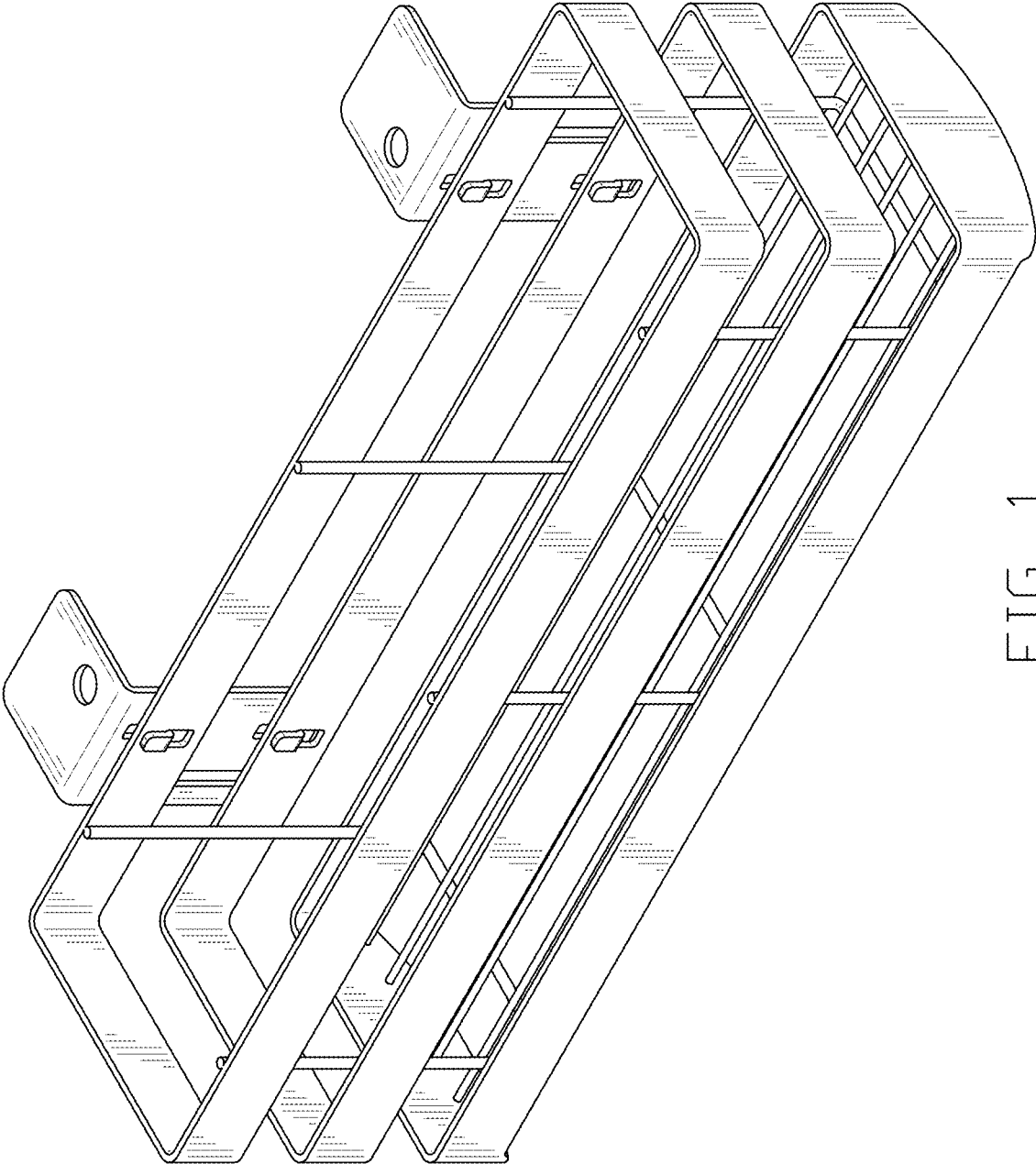


FIG. 1

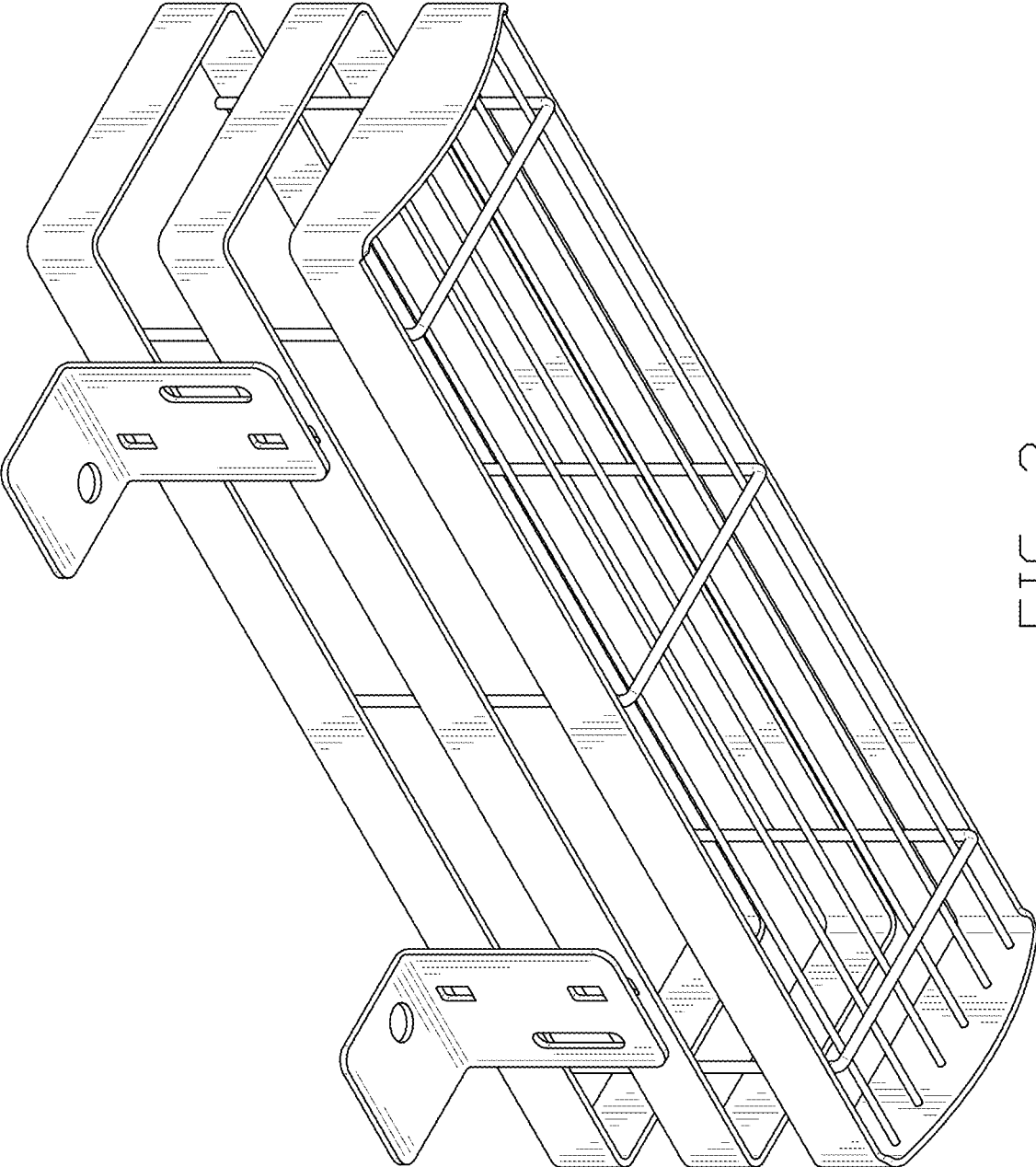


FIG. 2

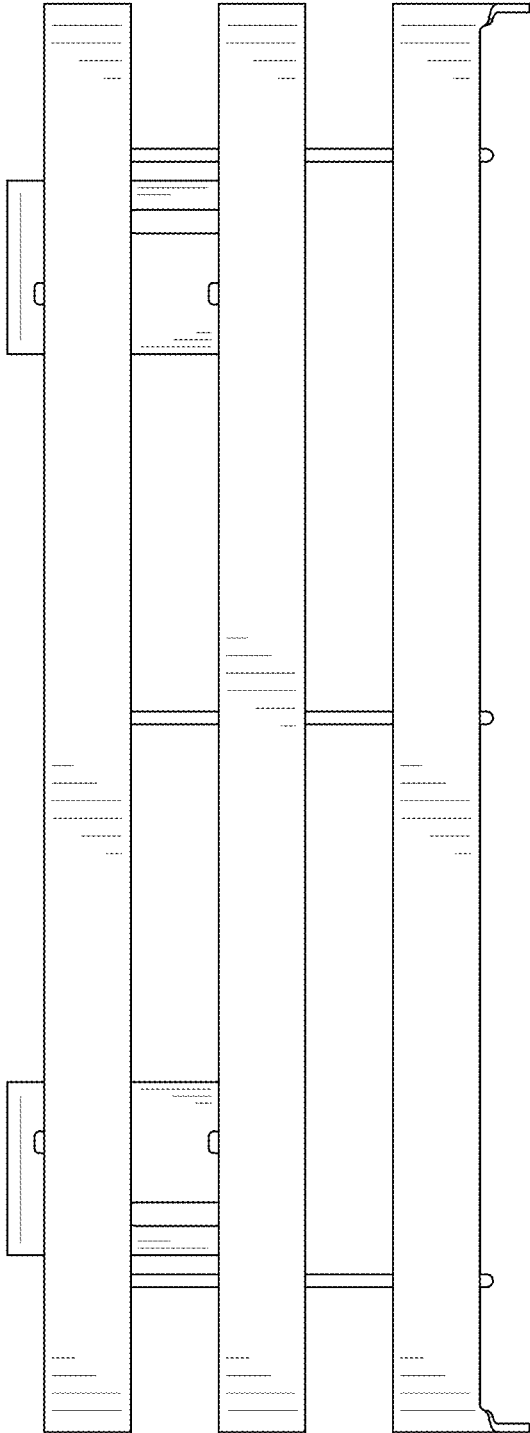


FIG. 3

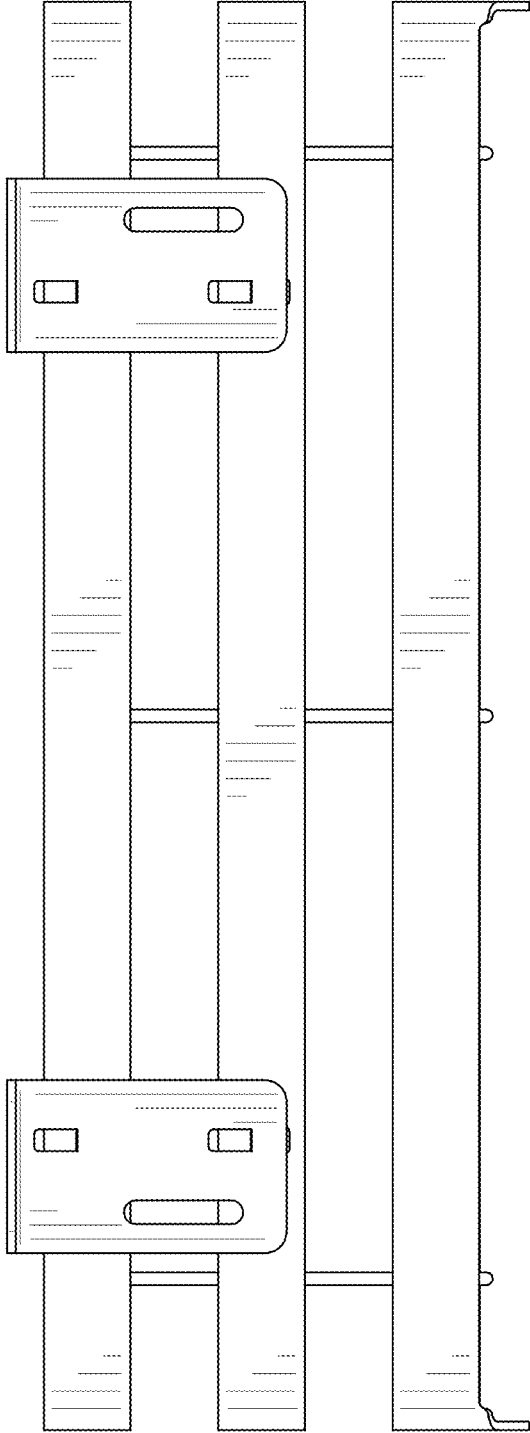


FIG. 4

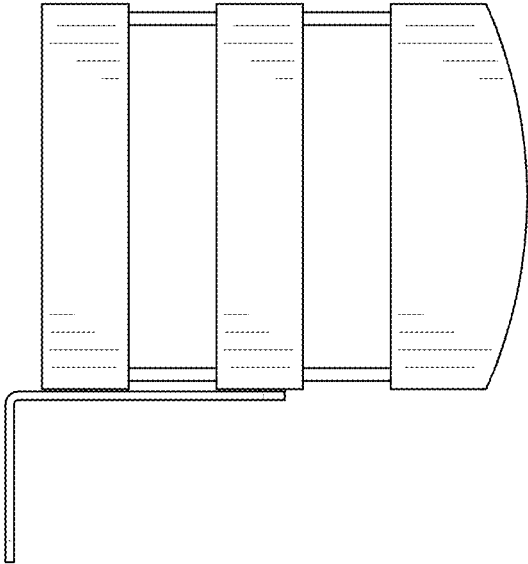


FIG. 5

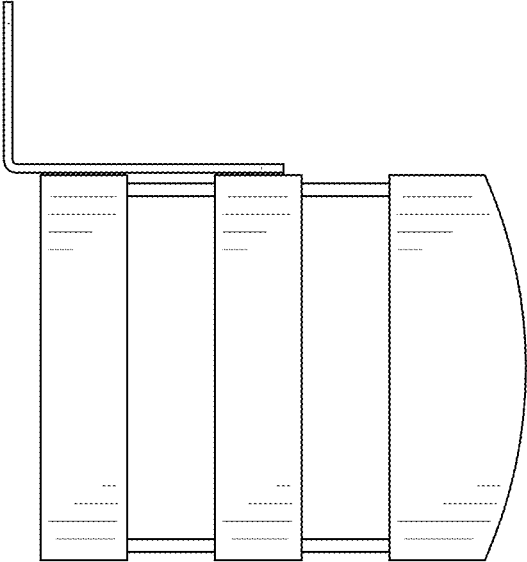


FIG. 6

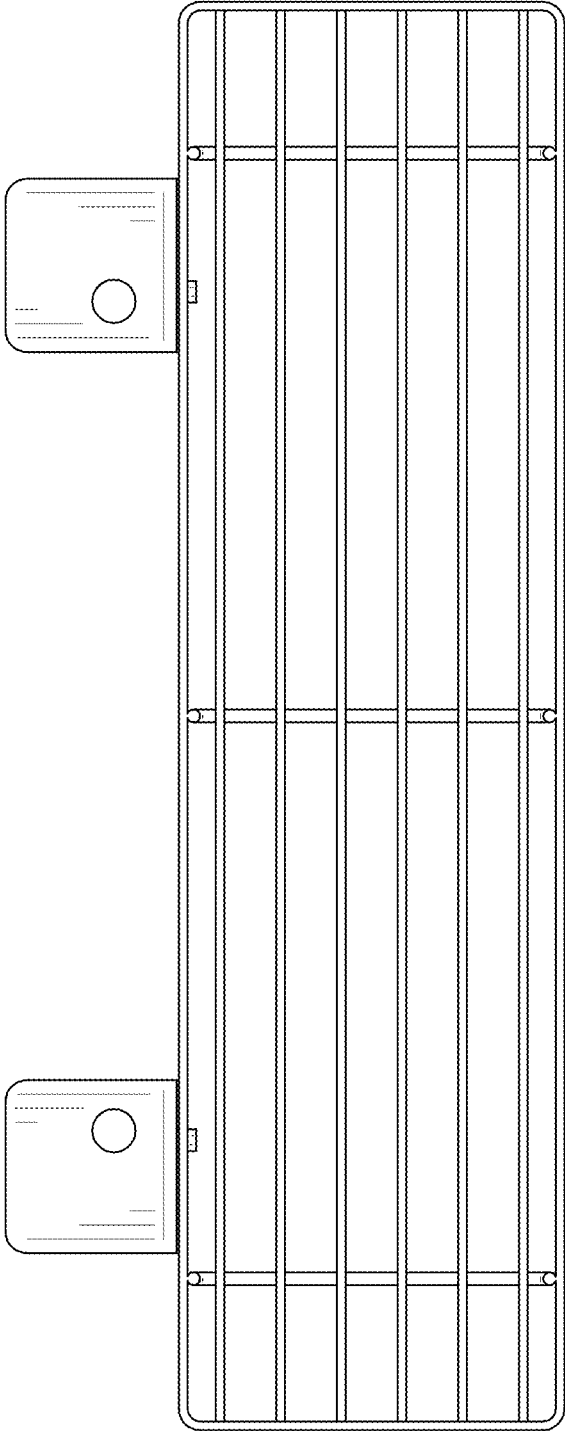


FIG. 7



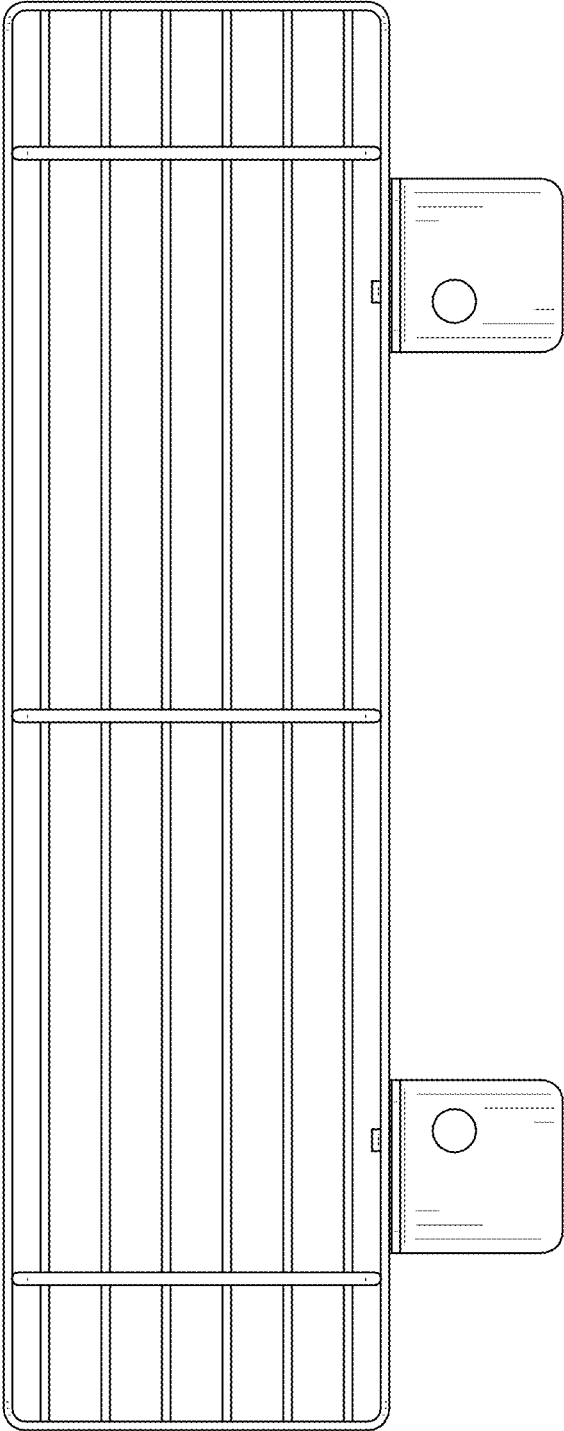


FIG. 8