



US00D559621S

(12) **United States Design Patent**
Raichlen et al.

(10) **Patent No.:** **US D559,621 S**

(45) **Date of Patent:** **** Jan. 15, 2008**

(54) **WOOD CHIP SOAKER**

7,234,599 B2* 6/2007 Hassell et al. 206/506

* cited by examiner

(76) Inventors: **Steven Raichlen**, 1746 Espanola Dr.,
Miami, FL (US) 33133; **Charles Adams**, 2816 Fulton St., Berkeley, CA
(US) 94705

Primary Examiner—Caron D. Veynar
Assistant Examiner—Ricky Pham
(74) *Attorney, Agent, or Firm*—Donald L. Beeson; Beeson
Skinner Beverly, LLP

(**) Term: **14 Years**

(57) **CLAIM**

(21) Appl. No.: **29/269,514**

The ornamental design for a wood chip soaker, as shown and described.

(22) Filed: **Dec. 1, 2006**

(51) **LOC (8) Cl.** **07-02**

(52) **U.S. Cl.** **D7/409**

(58) **Field of Classification Search** D3/304,
D3/307, 312; D32/37; D7/323, 393, 354–364,
D7/409, 543–545, 554.1, 554.2, 550.1, 551.1,
D7/552.1, 553.1, 554.3, 554.4, 602, 667,
D7/668; 99/324, 339, 400, 410–413, 422,
99/446–448; 206/506; 210/469, 470; 220/23.2,
220/23.6, 212.5, 215, 346, 351, 573.1–573.4,
220/574–575, 641, 912

See application file for complete search history.

DESCRIPTION

FIG. 1 is a top perspective view of a wood chip soaker showing our new design;

FIG. 2 is another top perspective view thereof showing the wood chip baskets exploded from the base container of the wood chip soaker;

FIG. 3 is a top plan view of the base container of the wood chip soaker, shown without the wood chip baskets for ease of illustration;

FIG. 4 is a side elevational view thereof, the other side being a mirror image;

FIG. 5 is a front elevational view thereof; the rear being and mirror image;

FIG. 6 is a top plan view of one of the wood chip baskets shown in FIGS. 1 and 2, shown without the base container for ease of illustration;

FIG. 7 is a side elevational view thereof, the other side being a mirror image;

FIG. 8 is a bottom plan view thereof; and,

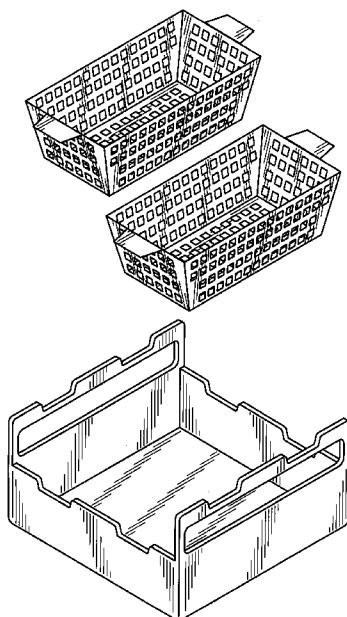
FIG. 9 end elevational view thereof, the other end being a mirror image.

(56) **References Cited**

U.S. PATENT DOCUMENTS

1,671,450	A	*	5/1928	Ross	99/447
2,058,807	A	*	10/1936	Lockwood	220/23.6
D292,634	S	*	11/1987	Chabot	D3/307
D364,272	S	*	11/1995	Brightbill	D3/312
D381,203	S	*	7/1997	Ackermann et al.	D3/307
D398,448	S	*	9/1998	Zanni	D3/312
D401,065	S	*	11/1998	Peltola	D3/304
D421,183	S	*	2/2000	Koskinen	D3/312
D433,548	S	*	11/2000	Baines et al.	D32/37
D494,759	S	*	8/2004	Louie et al.	D3/304
D539,541	S	*	4/2007	Stahl	D3/304

1 Claim, 5 Drawing Sheets



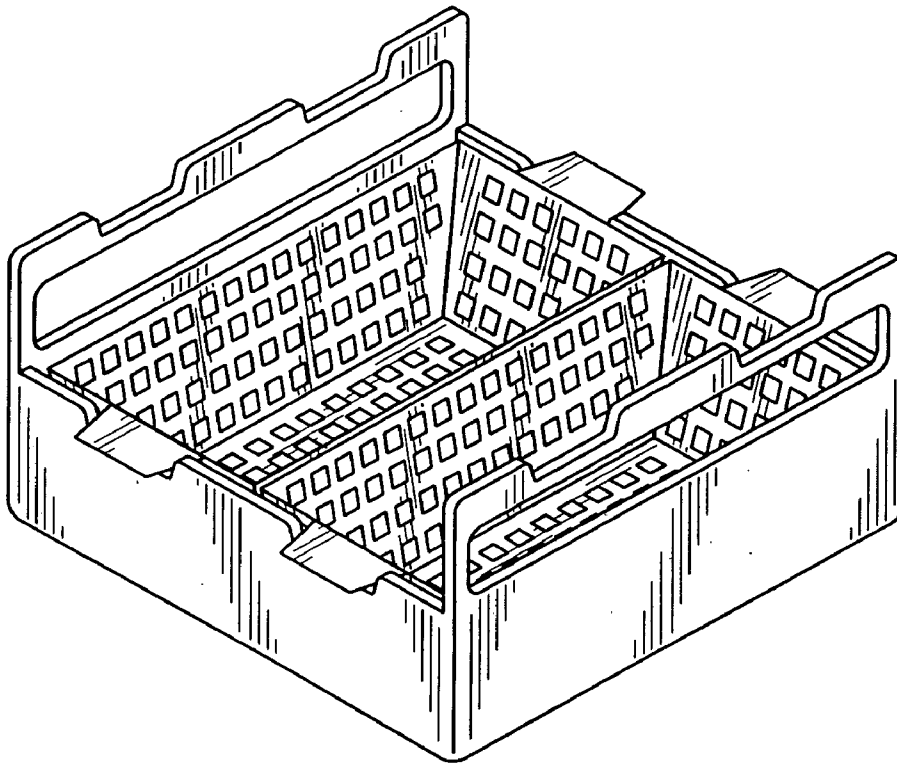
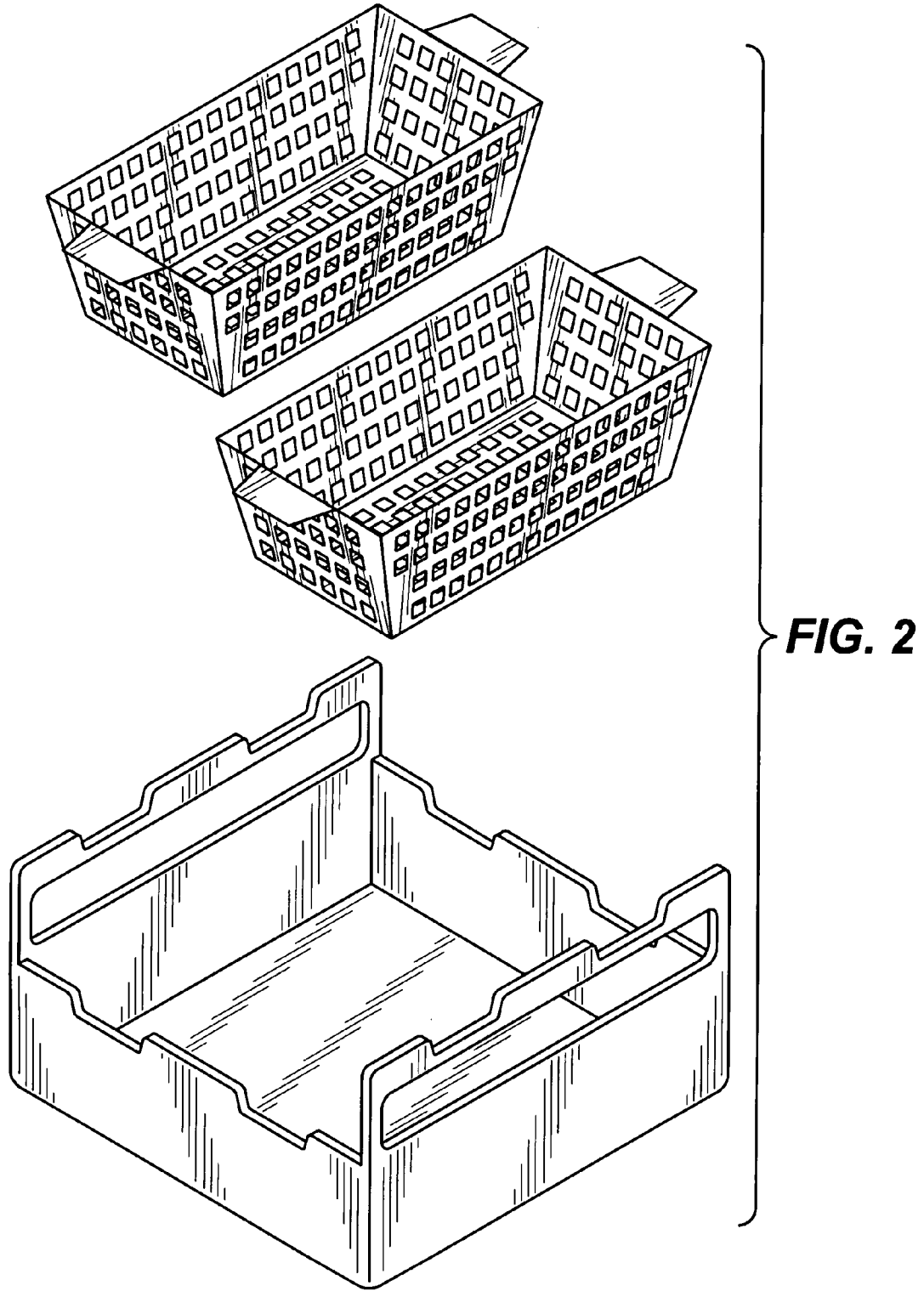


FIG. 1



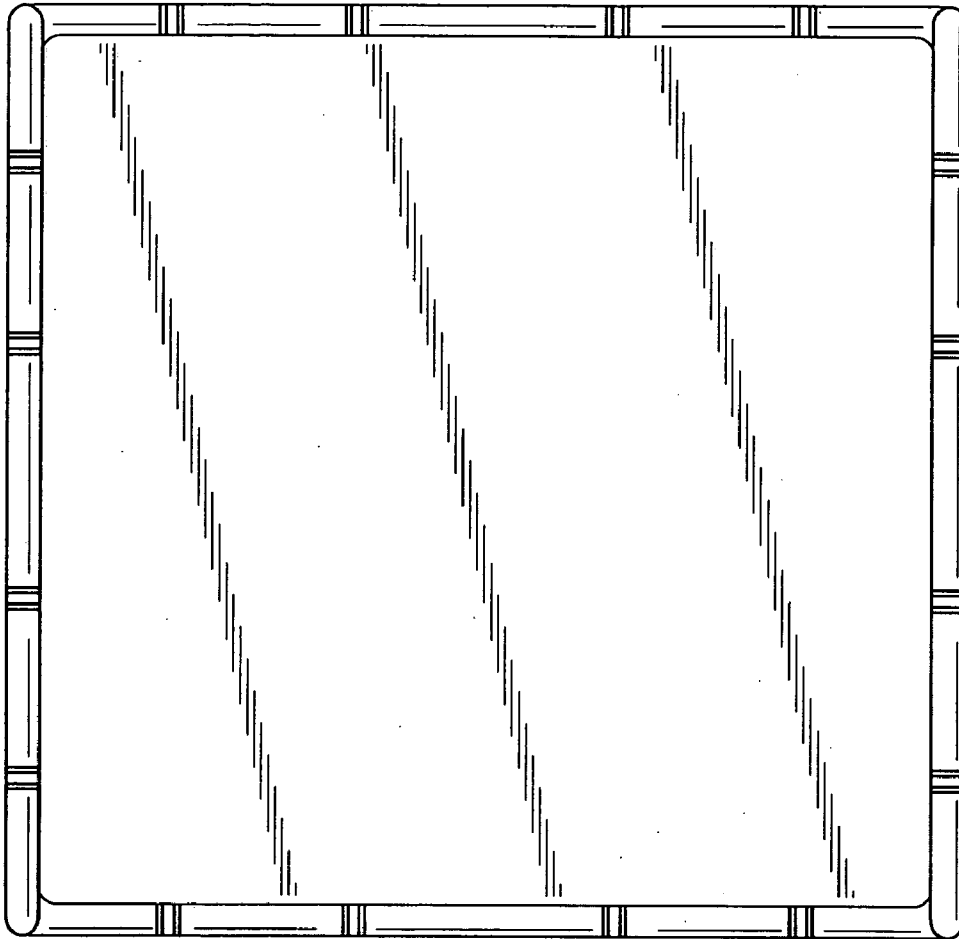


FIG. 3

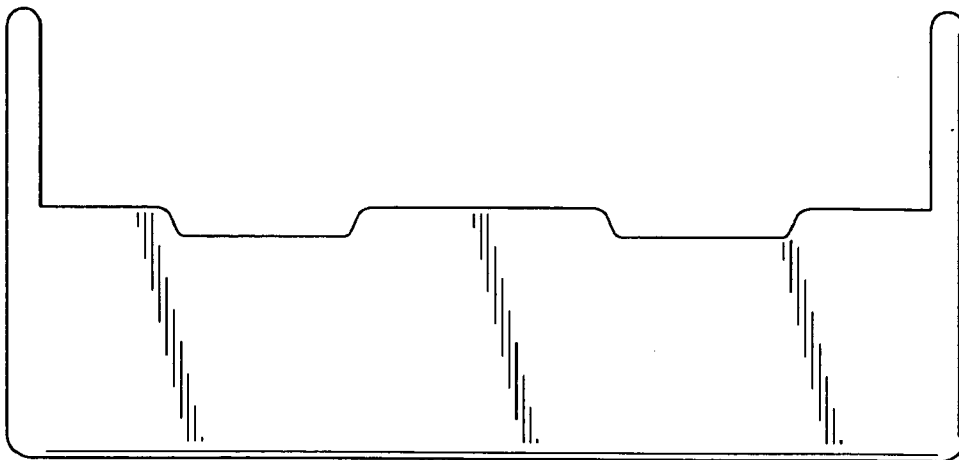


FIG. 4

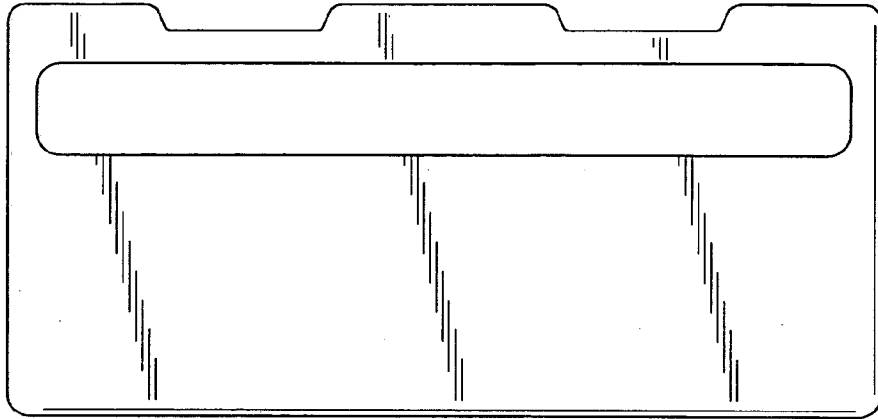


FIG. 5

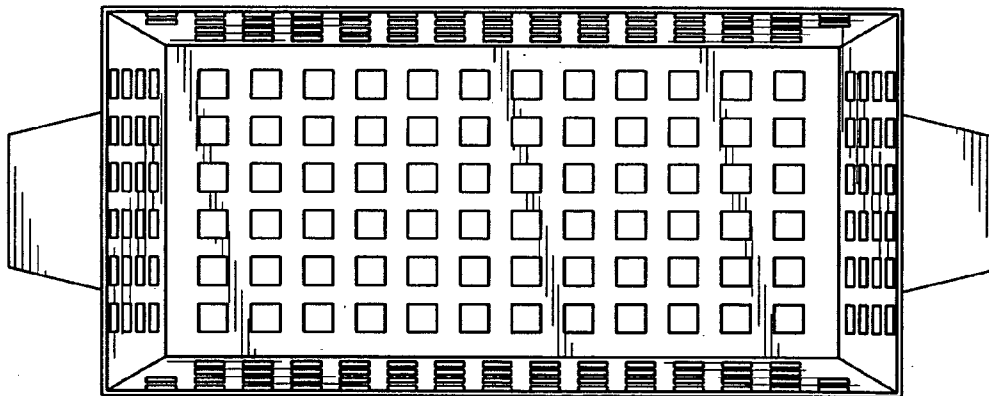


FIG. 6

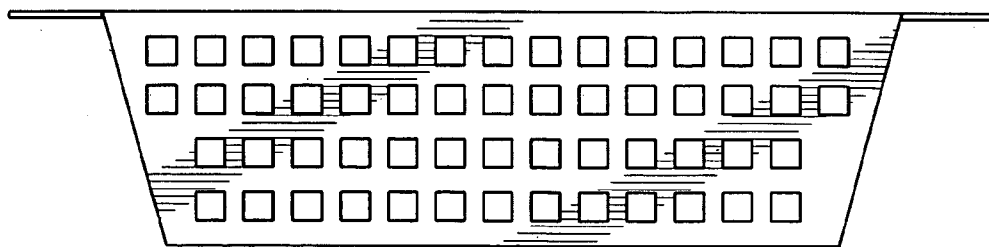


FIG. 7

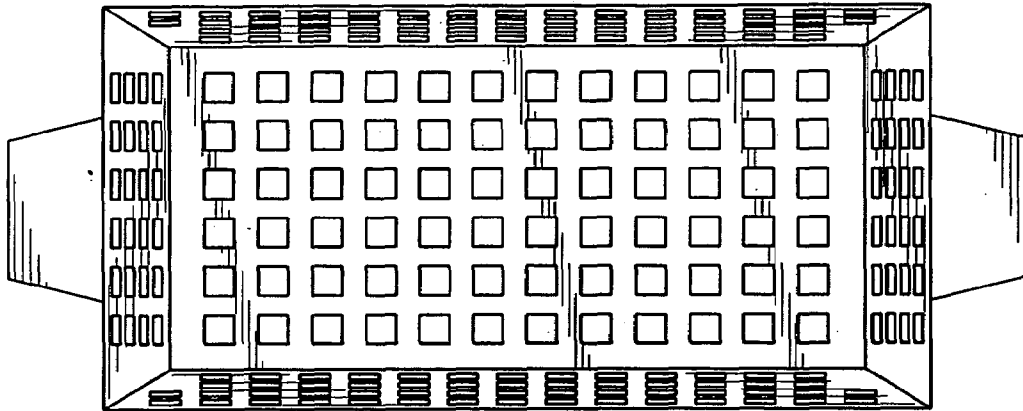


FIG. 8

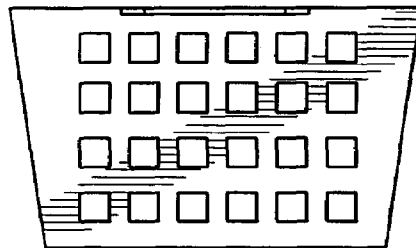


FIG. 9