

(12) **UK Patent Application** (19) **GB** (11) **2 373 166** (13) **A**

(43) Date of Printing by UK Office **18.09.2002**

(21) Application No **0215875.6**
(22) Date of Filing **13.11.2001**
(30) Priority Data
(31) **2000347220** (32) **14.11.2000** (33) **JP**
(86) International Application Data
PCT/JP2001/009900 En 13.11.2001
(87) International Publication Data
WO2002/039819 En 23.05.2002

(51) INT CL⁷
A21C 15/04
(52) UK CL (Edition T)
A2A A1
A2B BMP5
(56) Documents Cited by ISA
CH 000657016 A **DE 029719172 U**
US 5795607 A **US 2494236 A**
US 1814485 A

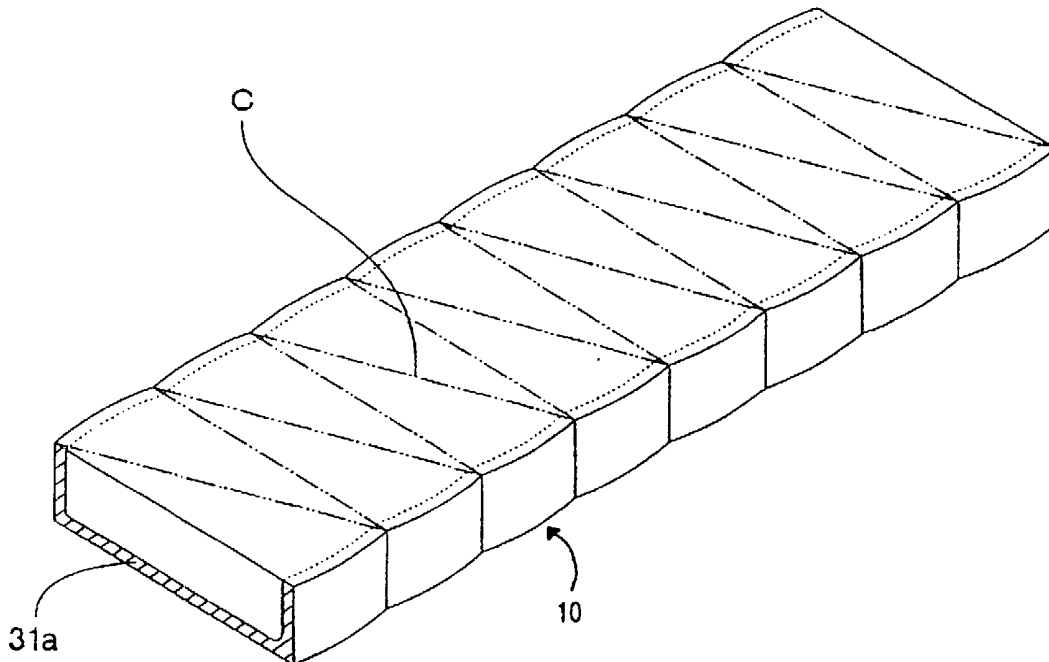
(58) Field of Search by ISA
INT CL⁷ **A21C**
EPO-Internal

(71) Applicant(s)
Rheon Automatic Machinery Co Ltd
(Incorporated in Japan)
2-3 Nozawa-machi, Utsunomiva-shi, Tochigi-ken,
Japan
(72) Inventor(s)
Toshimitsu Morito
Yoshitaka Sakai

(74) Agent and/or Address for Service
Frank B Dehn & Co.
179 Queen Victoria Street, LONDON, EC4V 4EL,
United Kingdom

(54) Abstract Title
Apparatus for making a food product

(57) Confectionery, such as a tart and pie is sequentially made. A generally rectangular mold is filled with food dough. The food dough is baked and taken out of the mold. The food dough is cut and divided in a zigzag pattern into generally triangularly-shaped food dough, so that a tart or a pie is made.



GB 2 373 166 A