



US00D436887S

(12) **United States Design Patent** (10) **Patent No.:** **US D436,887 S**  
**Fan** (45) **Date of Patent:** **\*\* Jan. 30, 2001**

(54) **POT WITH AN ADJUSTABLE MOUTHPIECE**  
(76) Inventor: **Jianhua Fan**, 5800 Maudina Ave., #C2,  
Nashville, TN (US) 37209  
(\*\*) Term: **14 Years**  
(21) Appl. No.: **29/103,416**  
(22) Filed: **Apr. 13, 1999**  
(51) **LOC (7) Cl.** ..... **11-02**  
(52) **U.S. Cl.** ..... **D11/152**  
(58) **Field of Search** ..... D6/403; D11/143,  
D11/152-156, 144, 164; 47/59, 65.5, 65.7,  
66.1, 66.7, 80; 206/423; 248/27.8

1024483 4/1953 (FR) .  
1263364 12/1961 (FR) .  
1 544 194 10/1968 (FR) ..... 47/81  
2310695 12/1976 (FR) .  
2724813 3/1996 (FR) .  
4743 1/1894 (GB) .  
22647 8/1913 (GB) .  
1112153 5/1968 (GB) .  
1192431 5/1970 (GB) .  
1316159 5/1973 (GB) .  
2240250 7/1991 (GB) .  
6-141683 5/1994 (JP) ..... 47/81  
8800273 9/1989 (NL) .  
WO 96/35326 11/1996 (WO) .

*Primary Examiner*—Doris V. Coles  
*Assistant Examiner*—Linda Brooks  
(74) *Attorney, Agent, or Firm*—Merchant & Gould P.C.

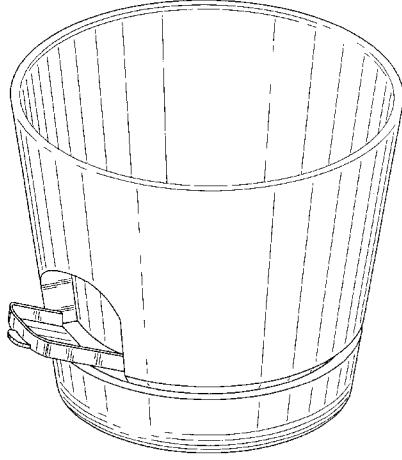
(56) **References Cited**  
**U.S. PATENT DOCUMENTS**  
D. 250,401 \* 11/1978 O'Shea et al. .... D11/152  
D. 352,480 11/1994 Carlson .  
D. 384,907 \* 10/1997 Moskowitz ..... D11/152  
D. 399,450 10/1998 Durbin .  
D. 399,451 10/1998 Durbin .  
D. 399,452 10/1998 Durbin .  
D. 399,453 10/1998 Durbin .  
D. 399,454 10/1998 Durbin .  
1,216,642 2/1917 White .  
3,027,684 \* 4/1962 Keiding ..... 47/65.7  
3,220,144 11/1965 Green .  
3,611,633 10/1971 Shackelford .  
3,990,179 11/1976 Johnson et al. .  
4,059,920 11/1977 Worrell .

(57) **CLAIM**  
The ornamental design for a pot with an adjustable mouth-  
piece, as shown and described.

**DESCRIPTION**  
FIG. 1 is a perspective view of a pot with an adjustable  
mouthpiece, showing my new design;  
FIG. 2 is a perspective view of the pot with an adjustable  
mouthpiece showing the adjustable mouthpiece open;  
FIG. 3 is a top plan view of the pot with an adjustable  
mouthpiece shown in FIG. 1;  
FIG. 4 is a bottom plan view of the pot with an adjustable  
mouthpiece shown in FIG. 1;  
FIG. 5 is a front elevational view of the pot with an  
adjustable mouthpiece shown in FIG. 1;  
FIG. 6 is a back elevational view of the pot with an  
adjustable mouthpiece shown in FIG. 1; and,  
FIG. 7 is a right side elevational view of the pot with an  
adjustable mouthpiece shown in FIG. 1, and a left side  
elevational view thereof being a mirror image of the right  
side elevational view.  
The broken lines shown in the drawings are not a part of the  
claimed design.

(List continued on next page.)  
**FOREIGN PATENT DOCUMENTS**  
649568 6/1964 (BE) .  
308827 8/1955 (CH) .  
1 200 604 9/1965 (DE) ..... 47/80  
24 33 734 1/1976 (DE) .  
25 39 552 A1 3/1977 (DE) ..... 47/81  
3131282 A1 2/1983 (DE) .  
3510513 A1 9/1986 (DE) .  
579120 10/1924 (FR) .

**1 Claim, 4 Drawing Sheets**



U.S. PATENT DOCUMENTS

4,231,187	11/1980	Greenbaum .....	47/80	4,885,870	12/1989	Fong .....	47/79
4,250,665	2/1981	English et al. ....	47/81	4,937,974	7/1990	Costa, Jr. et al. ....	47/81
4,299,055 *	11/1981	Dziewulski et al. ....	47/66.1	5,259,509	11/1993	Boal, Jr. et al. .	
4,324,070	4/1982	Swisher .....	47/81	5,333,752	8/1994	Harding, Jr. .	
4,339,891	7/1982	Bassett .....	47/71	5,429,236	7/1995	Evans .	
4,344,251	8/1982	Edling .....	47/80	5,564,226	10/1996	Paramest .	
4,553,352	11/1985	Powell et al. .		5,638,638	6/1997	Moskowitz .	
4,880,156	11/1989	Wallet .		5,806,241	9/1998	Byland et al. .	
4,885,869	12/1989	Kim .....	47/66	5,871,476	2/1999	Hand .	

\* cited by examiner

FIG. 1

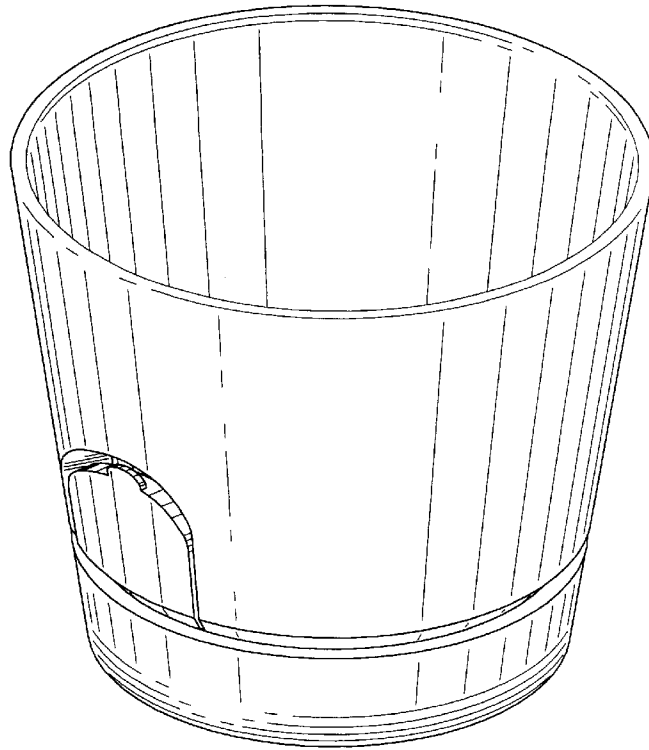


FIG. 2

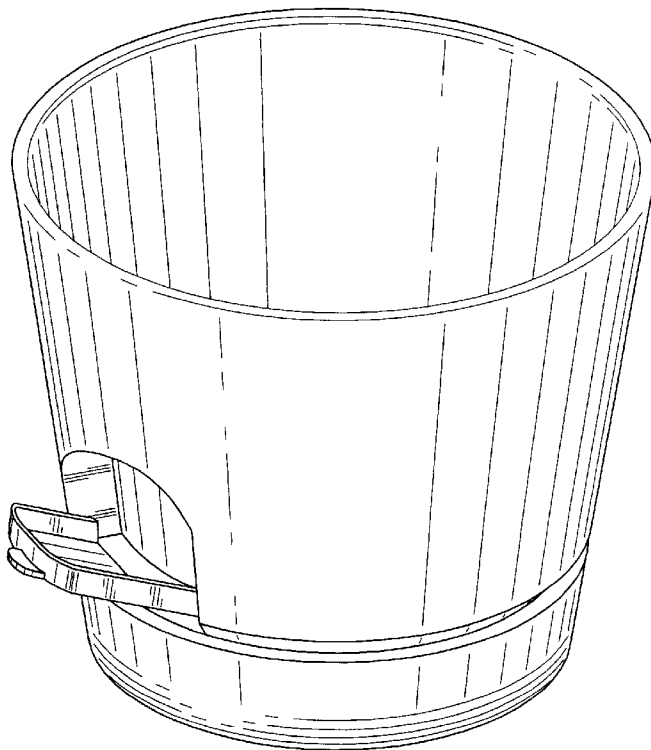


FIG. 3

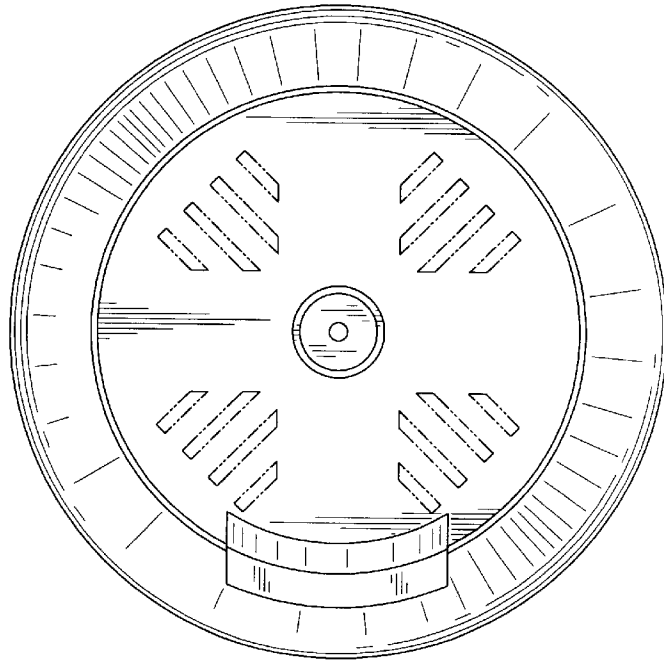


FIG. 4

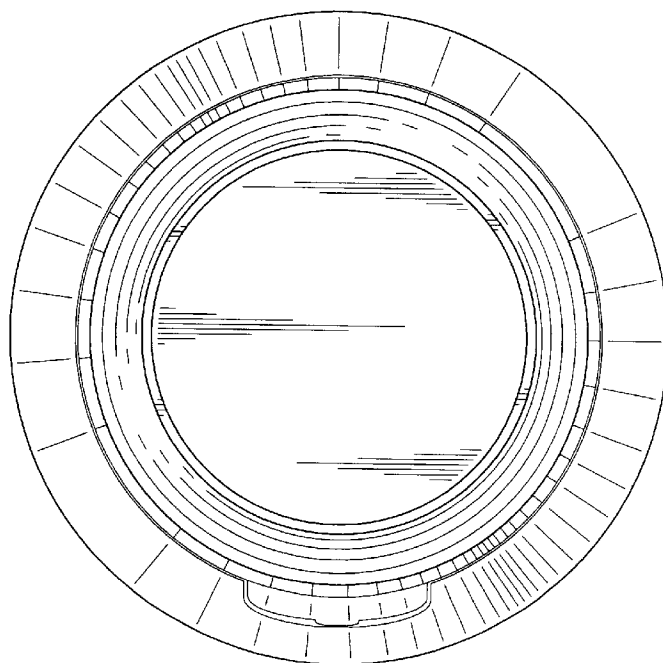


FIG. 5

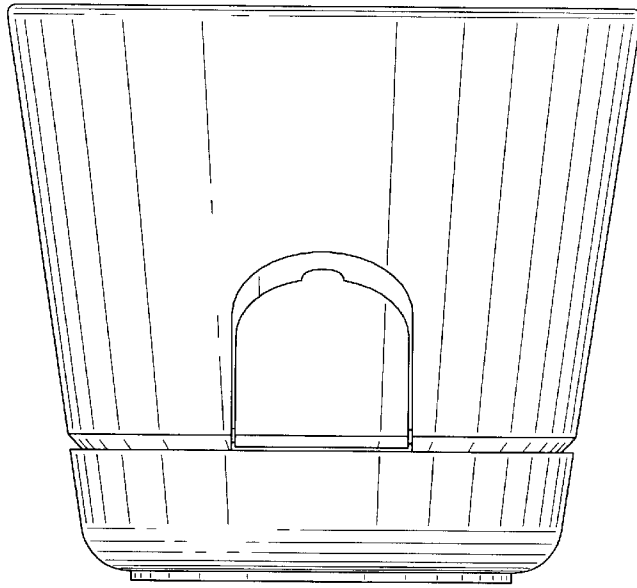


FIG. 6

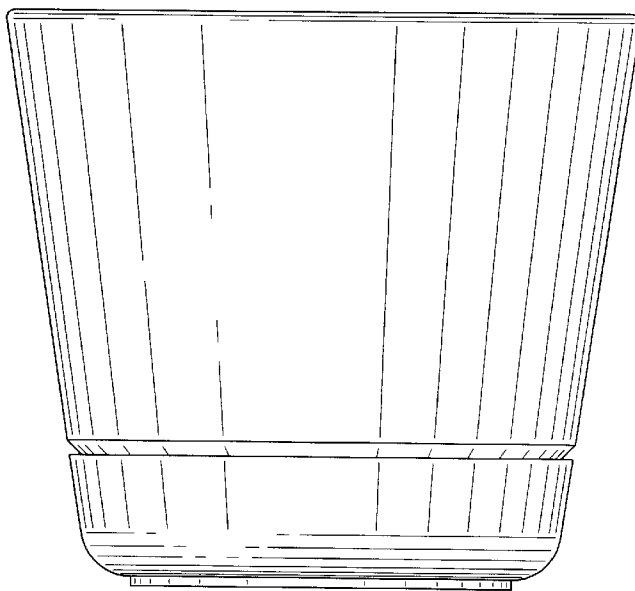


FIG. 7

