



(51) International Patent Classification:

A47L 5/28 (2006.01) A47L 9/32 (2006.01)  
A47L 5/32 (2006.01)

(21) International Application Number:

PCT/IB2014/003016

(22) International Filing Date:

7 November 2014 (07.11.2014)

(25) Filing Language:

English

(26) Publication Language:

English

(30) Priority Data:

61/901,049 7 November 2013 (07.11.2013) US

(71) Applicant: **TECHTRONIC INDUSTRIES CO. LTD.**  
[—/CN]; 24/F CDW Building, 388 Castle Peak Rd, Tsuen  
Wan, New Territories, Hong Kong (CN).

(72) Inventor: **HENDERSON, Gregg, A.**; 19 Glenside Drive,  
Munroe Falls, OH 44262 (US).

(81) Designated States (unless otherwise indicated, for every  
kind of national protection available): AE, AG, AL, AM,  
AO, AT, AU, AZ, BA, BB, BG, BH, BN, BR, BW, BY,  
BZ, CA, CH, CL, CN, CO, CR, CU, CZ, DE, DK, DM,

DO, DZ, EC, EE, EG, ES, FI, GB, GD, GE, GH, GM, GT,  
HN, HR, HU, ID, IL, IN, IR, IS, JP, KE, KG, KN, KP, KR,  
KZ, LA, LC, LK, LR, LS, LU, LY, MA, MD, ME, MG,  
MK, MN, MW, MX, MY, MZ, NA, NG, NI, NO, NZ, OM,  
PA, PE, PG, PH, PL, PT, QA, RO, RS, RU, RW, SA, SC,  
SD, SE, SG, SK, SL, SM, ST, SV, SY, TH, TJ, TM, TN,  
TR, TT, TZ, UA, UG, US, UZ, VC, VN, ZA, ZM, ZW.

(84) Designated States (unless otherwise indicated, for every  
kind of regional protection available): ARIPO (BW, GH,  
GM, KE, LR, LS, MW, MZ, NA, RW, SD, SL, ST, SZ,  
TZ, UG, ZM, ZW), Eurasian (AM, AZ, BY, KG, KZ, RU,  
TJ, TM), European (AL, AT, BE, BG, CH, CY, CZ, DE,  
DK, EE, ES, FI, FR, GB, GR, HR, HU, IE, IS, IT, LT, LU,  
LV, MC, MK, MT, NL, NO, PL, PT, RO, RS, SE, SI, SK,  
SM, TR), OAPI (BF, BJ, CF, CG, CI, CM, GA, GN, GQ,  
GW, KM, ML, MR, NE, SN, TD, TG).

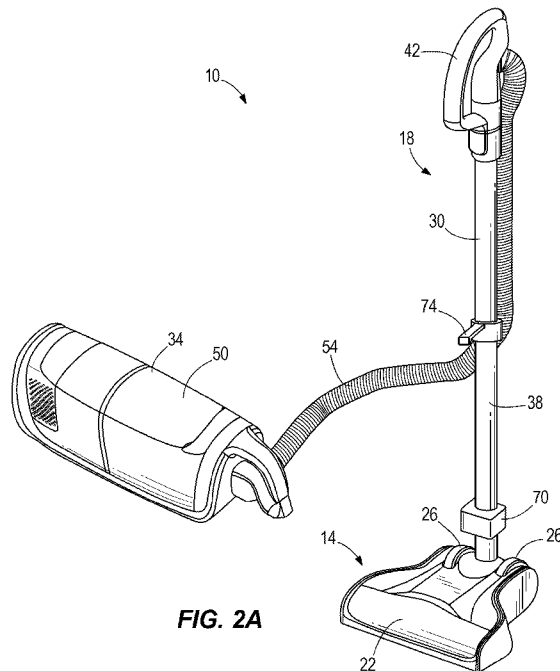
Published:

— with international search report (Art. 21(3))

(88) Date of publication of the international search report:

24 September 2015

(54) Title: LATCHING ARRANGEMENT FOR VACUUM CLEANER



(57) Abstract: A vacuum cleaner includes a floor engaging portion (14) and a handle portion (18) mounted to the floor engaging portion (14). The handle portion (18) includes a support (30) and a body (34). The body (34) includes a suction generating device (46) and a dirt collection container (50). The body (34) is selectively removable from the support (30). The support (30) includes a first latch (70) and a second latch (74) and at least a portion of the body (34) is positionable between the first latch (70) and the second latch (74). The first latch (70) includes a forcing member that biases the body (34) toward an engaged position with the support (30). The body (34) includes a retainer (122) corresponding to the second latch (74). The retainer (122) is engageable with a portion of the second latch (74) when the body (34) is in the engaged position, wherein application of a removal force on the body (34) against the forcing member moves the body (34) from the engaged position enabling the retainer (122) to release from the second latch (74).



## INTERNATIONAL SEARCH REPORT

International application No.

PCT/IB2014/003016

<b>A. CLASSIFICATION OF SUBJECT MATTER</b>		
A47L 5/28(2006.01)i; A47L 5/32(2006.01)n; A47L 9/32(2006.01)n		
According to International Patent Classification (IPC) or to both national classification and IPC		
<b>B. FIELDS SEARCHED</b>		
Minimum documentation searched (classification system followed by classification symbols) A47L5/-;A47L9/-		
Documentation searched other than minimum documentation to the extent that such documents are included in the fields searched		
Electronic data base consulted during the international search (name of data base and, where practicable, search terms used) CNPAT,WPI,EPODOC,CNKI: vacuum, cleaner, latch, upright, fix, secure		
<b>C. DOCUMENTS CONSIDERED TO BE RELEVANT</b>		
Category*	Citation of document, with indication, where appropriate, of the relevant passages	Relevant to claim No.
PX	US 2014041149 A1 (TECHTRONIC FLOOR CARE TECHNOLOGY LTD.) 13 February 2014 (2014-02-13) description, paragraphs [0024-0044], figures 1-6, 9	1-20
E	US 8943647 B1 (TECHTRONIC FLOOR CARE TECHNOLOGY LTD.) 03 February 2015 (2015-02-03) description, column 2 line 40 - column 6 line 21, figures 1-6, 9	1, 2, 5, 10
X	EP 0887040 A1 (SANYO ELECTRIC CO., LTD.) 30 December 1998 (1998-12-30) description, column 8 line 28 - column 10 line 4, figures 2-4, 9, 16	1-20
A	US 2009241284 A1 (MAYES, R. MICHEAL ET AL.) 01 October 2009 (2009-10-01) the whole document	1-20
A	CN 101357051 A (SAMSUNG GWANGJU ELECTRONICS CO., LTD.) 04 February 2009 (2009-02-04) the whole document	1-20
A	US 2012090105 A1 (HENDERSON, GREGG A.) 19 April 2012 (2012-04-19) the whole document	1-20
<input checked="" type="checkbox"/> Further documents are listed in the continuation of Box C. <input checked="" type="checkbox"/> See patent family annex.		
* Special categories of cited documents:		
“A”	document defining the general state of the art which is not considered to be of particular relevance	“T” later document published after the international filing date or priority date and not in conflict with the application but cited to understand the principle or theory underlying the invention
“E”	earlier application or patent but published on or after the international filing date	“X” document of particular relevance; the claimed invention cannot be considered novel or cannot be considered to involve an inventive step when the document is taken alone
“L”	document which may throw doubts on priority claim(s) or which is cited to establish the publication date of another citation or other special reason (as specified)	“Y” document of particular relevance; the claimed invention cannot be considered to involve an inventive step when the document is combined with one or more other such documents, such combination being obvious to a person skilled in the art
“O”	document referring to an oral disclosure, use, exhibition or other means	“&” document member of the same patent family
“P”	document published prior to the international filing date but later than the priority date claimed	
Date of the actual completion of the international search <b>20 May 2015</b>		Date of mailing of the international search report <b>15 June 2015</b>
Name and mailing address of the ISA/CN <b>STATE INTELLECTUAL PROPERTY OFFICE OF THE P.R.CHINA 6, Xitucheng Rd., Jimen Bridge, Haidian District, Beijing 100088, China</b>		Authorized officer <b>WANG,Cuiping</b>
Facsimile No. (86-10)62019451		Telephone No. (86-10)61648193



**INTERNATIONAL SEARCH REPORT**  
**Information on patent family members**

International application No.

**PCT/IB2014/003016**

Patent document cited in search report			Publication date (day/month/year)	Patent family member(s)			Publication date (day/month/year)
US	2014041149	A1	13 February 2014	WO	2014026131	A1	13 February 2014
US	8943647	B1	03 February 2015	US	2015040342	A1	12 February 2015
				WO	2015020673	A1	12 February 2015
EP	0887040	A1	30 December 1998	CA	2241644	C	18 December 2007
				JP	H119510	A	19 January 1999
				CN	1208597	A	24 February 1999
				EP	0887040	B1	10 September 2003
				US	6058559	A	09 May 2000
				JP	3609582	B2	12 January 2005
				AU	7312098	A	24 December 1998
				CA	2241644	A1	23 December 1998
				TW	424496	U	01 March 2001
				AU	736814	B2	02 August 2001
				CN	1121843	C	24 September 2003
				CN	1582836	A	23 February 2005
				KR	19990007085	A	25 January 1999
				KR	100299048	B	27 October 2001
				DE	69817922	E	16 October 2003
US	2009241284	A1	01 October 2009	US	8060980	B2	22 November 2011
				CA	2659731	A1	28 September 2009
				CA	2659731	C	09 November 2010
CN	101357051	A	04 February 2009	CN	101357052	A	04 February 2009
				GB	2451539	A	04 February 2009
				US	2009031522	A1	05 February 2009
				KR	20090013644	A	05 February 2009
				KR	20090017374	A	18 February 2009
				CN	101366610	A	18 February 2009
				CN	101366612	A	18 February 2009
				GB	2451539	B	07 April 2010
				CN	101366612	B	04 July 2012
US	2012090105	A1	19 April 2012	CN	102711573	A	03 October 2012
				JP	2013542783	A	28 November 2013
				WO	2012051550	A1	19 April 2012
				EP	2521474	A1	14 November 2012
				US	8869349	B2	28 October 2014
US	2002162188	A1	07 November 2002	CA	2346173	A1	02 November 2002