



US0D1002520S

(12) **United States Design Patent**
Xu

(10) **Patent No.:** **US D1,002,520 S**

(45) **Date of Patent:** **** Oct. 24, 2023**

- (54) **SOLAR CELL BOX**
- (71) Applicant: **Shenzhen Xinyangguang electric Co., LTD**, Shenzhen (CN)
- (72) Inventor: **Yang Xu**, Shenzhen (CN)
- (73) Assignee: **Shenzhen Xinyangguang electric Co., LTD**

10,079,504	B2 *	9/2018	Hui	H02S 40/38
D837,731	S *	1/2019	Ma	D13/102
D841,213	S *	2/2019	Zhuo	D26/68
D855,492	S *	8/2019	Jones	D11/131
D865,659	S *	11/2019	Morgan	D13/102
D883,916	S *	5/2020	Kojima	D13/102
D899,352	S *	10/2020	Gong	D13/102
D903,583	S *	12/2020	Bevilacqua	D13/102
2009/0059572	A1 *	3/2009	Wang	F21S 9/037 362/183

(**) Term: **15 Years**

* cited by examiner

(21) Appl. No.: **29/790,520**

Primary Examiner — Derrick E Holland

(22) Filed: **Dec. 2, 2021**

(74) *Attorney, Agent, or Firm* — Jose Cherson Weissbrot

(51) **LOC (14) Cl.** **13-02**

(52) **U.S. Cl.**

USPC **D13/102**

(58) **Field of Classification Search**

USPC D13/102, 101, 103, 110, 118, 133, 182,
D13/184, 199; D26/63, 67, 68, 69, 71,
D26/72, 78, 85, 87

CPC Y02E 10/40; Y02E 10/44; Y02E 10/50;
Y02E 10/52; Y02E 10/542; Y02E 10/544;
E04H 4/08; F24J 2/38; F24J 2/0472; F24J
2/542; H01L 31/00; H01L 31/042; H01L
31/045; H01L 31/048; H01L 31/049;
H01L 31/052; H01L 31/184; H01L
31/0232; H01L 31/0508; H01L 31/0512;
H01L 31/0543; H01L 31/02013; H01L
31/1876; H01L 51/0061; H02S 40/34

See application file for complete search history.

(56) **References Cited**

U.S. PATENT DOCUMENTS

D563,866	S *	3/2008	Bonnaud	D13/102
D642,722	S *	8/2011	Oberpriller	D26/72
D669,848	S *	10/2012	Andresen	D13/102
D822,253	S *	7/2018	Wu	D26/68

(57) **CLAIM**

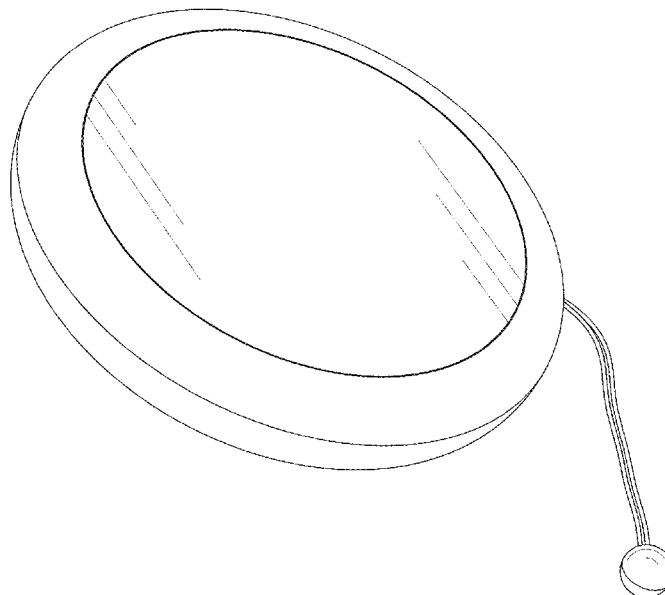
The ornamental design for a solar cell box, as shown and described.

DESCRIPTION

FIG. 1 is a first perspective view of a solar cell box showing my new design;
 FIG. 2 is a second perspective view thereof;
 FIG. 3 is a front view thereof;
 FIG. 4 is a back view thereof;
 FIG. 5 is a left side view thereof;
 FIG. 6 is a right side view thereof;
 FIG. 7 is a top view thereof;
 FIG. 8 is a bottom view thereof;
 FIG. 9 is a perspective view of another state of the solar cell box thereof;
 FIG. 10 is a perspective view of the using state of the solar cell box thereof; and,
 FIG. 11 is an enlarged view of the selected portion in FIG. 2.

The broken lines shown in the drawings depict portions of the solar cell box in which the design is embodied that form no part of the claimed design.

1 Claim, 11 Drawing Sheets



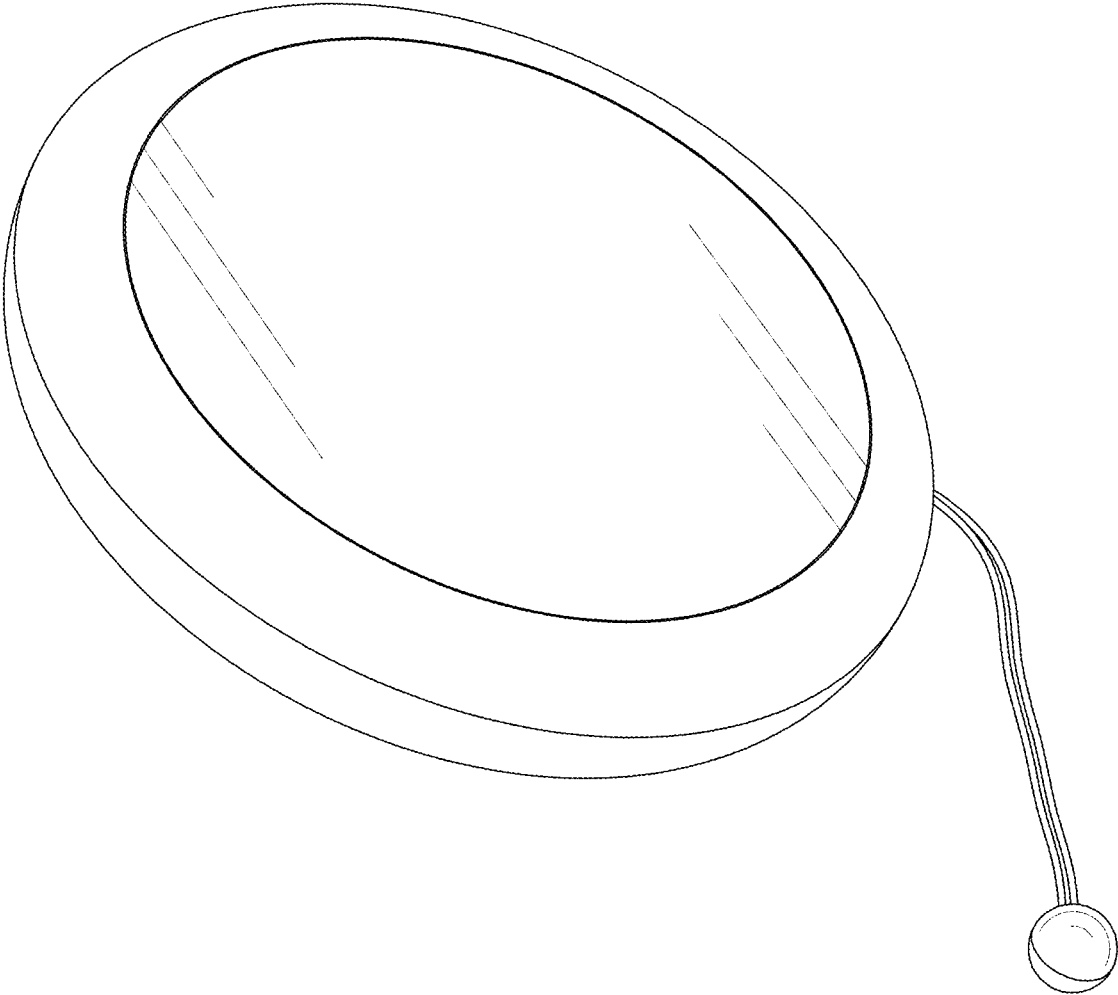


FIG. 1

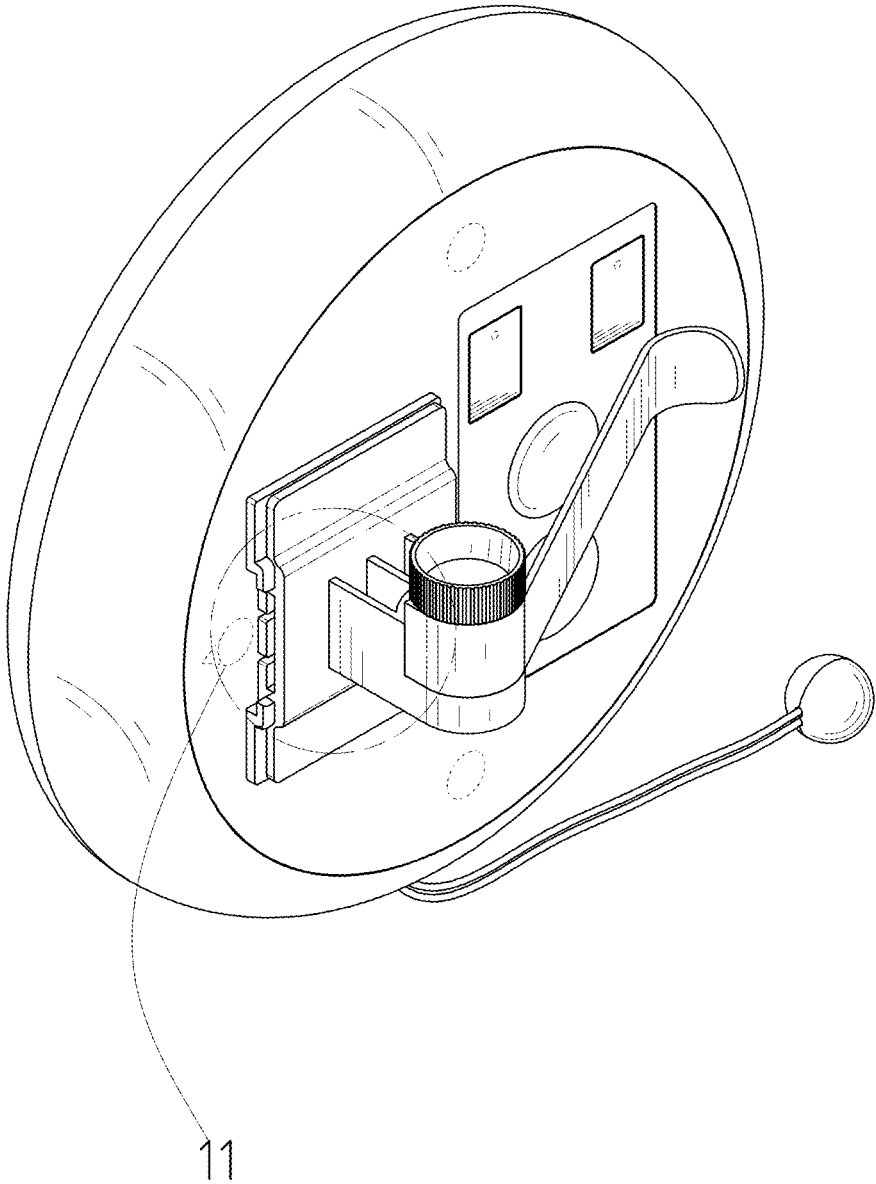


FIG. 2

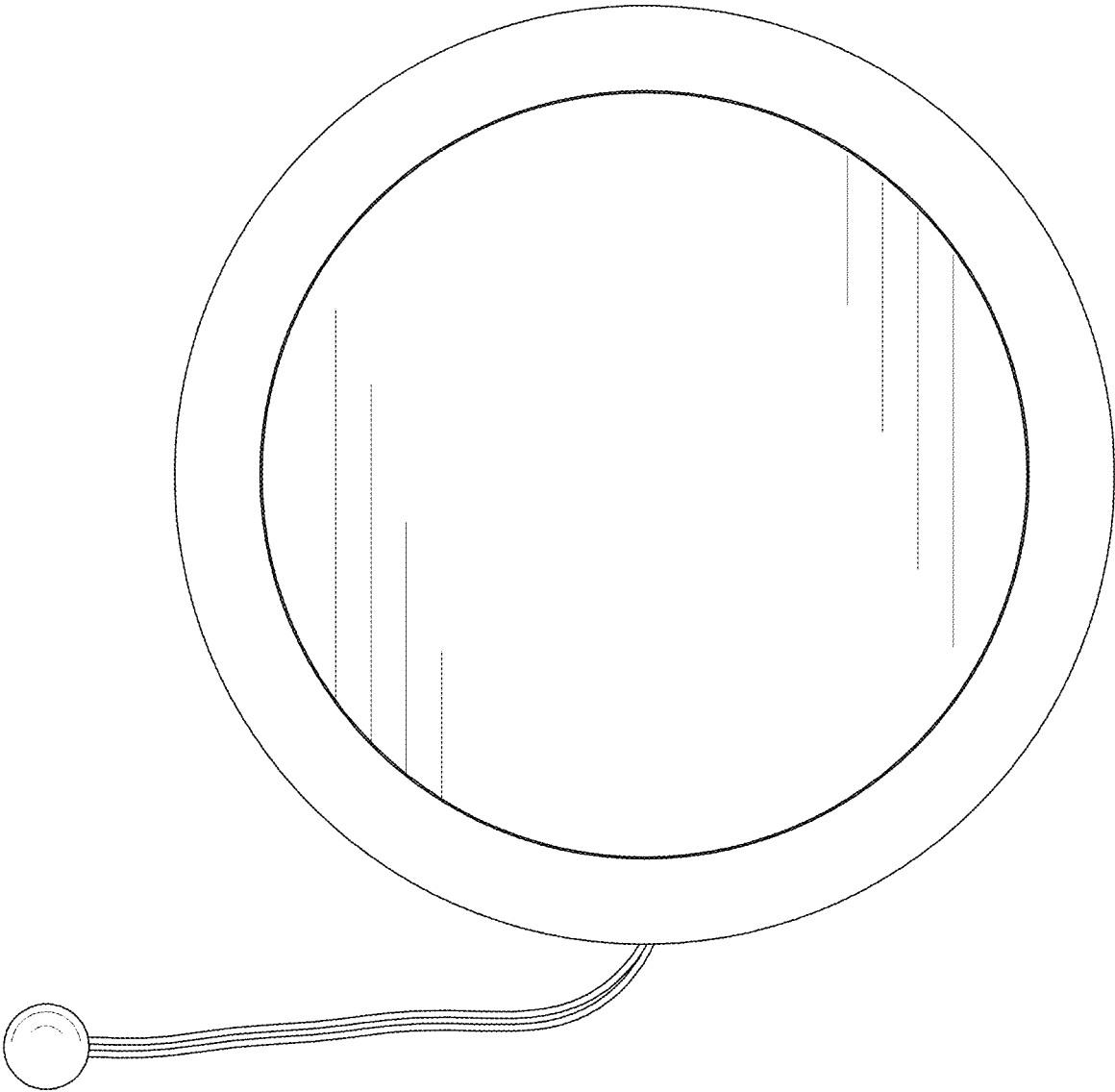


FIG. 3

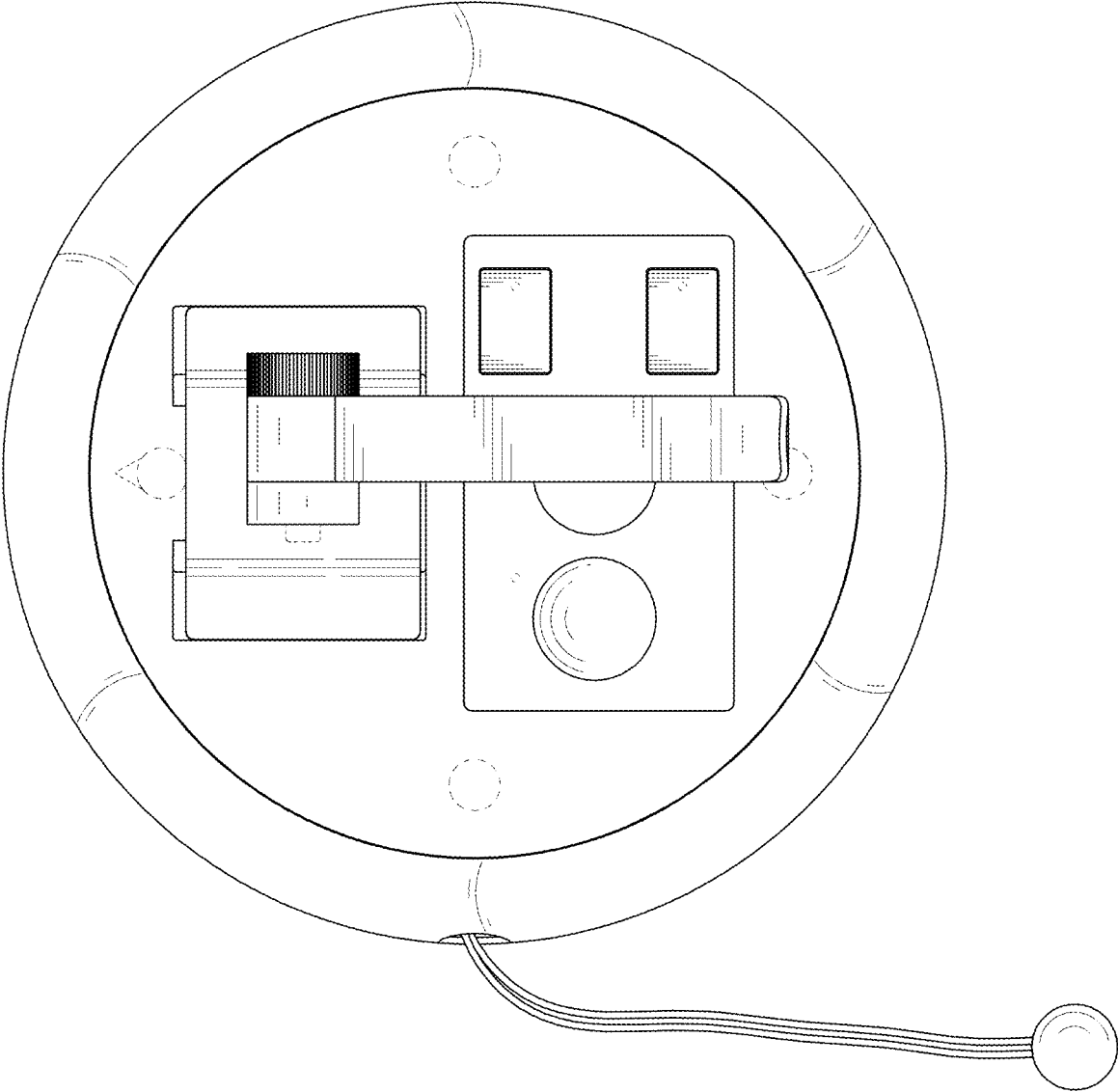


FIG. 4

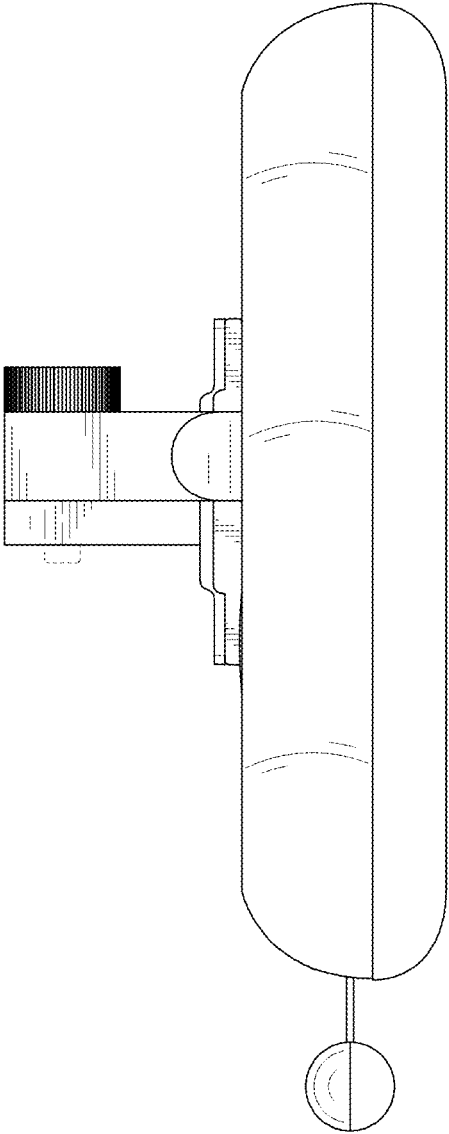


FIG. 5

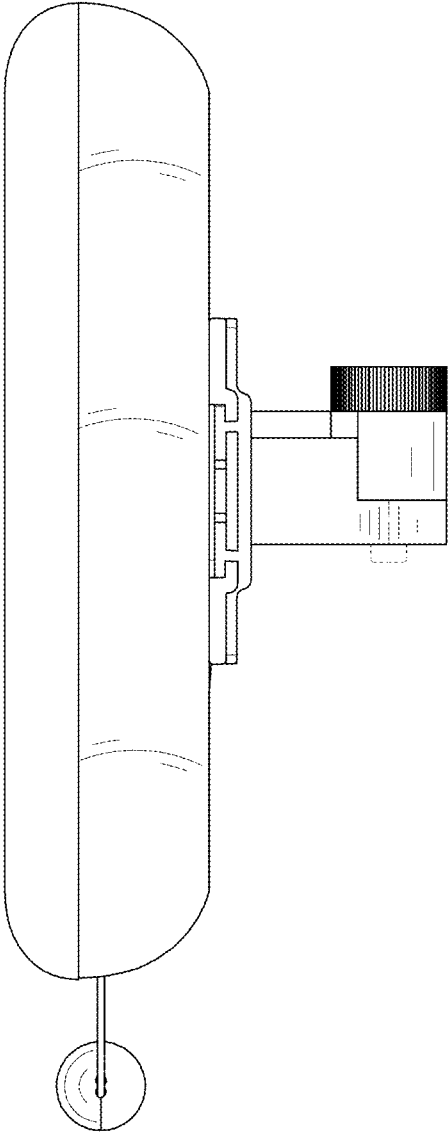


FIG. 6

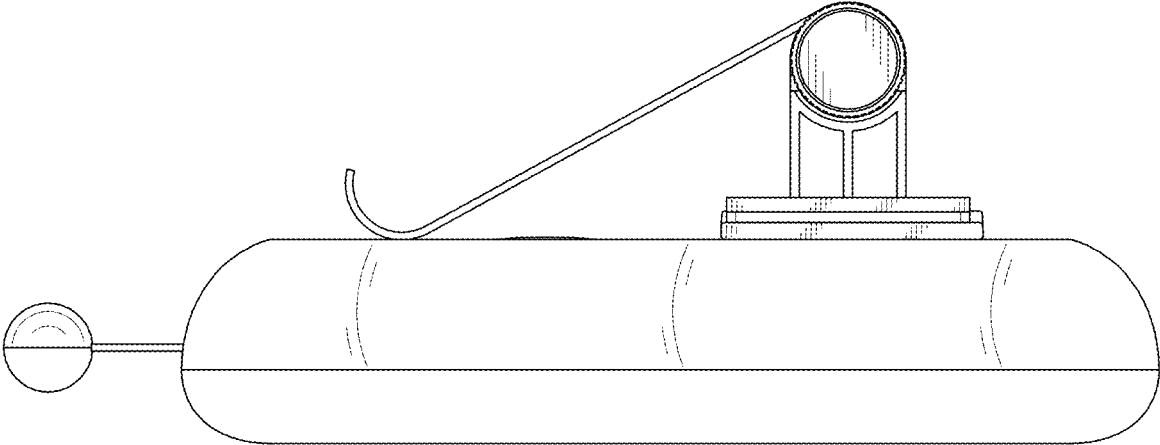


FIG. 7

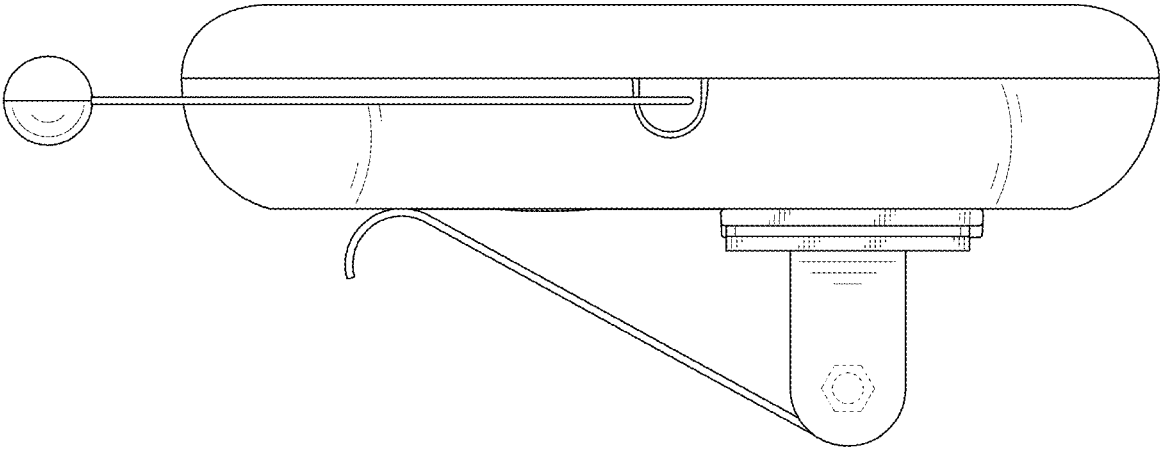


FIG. 8

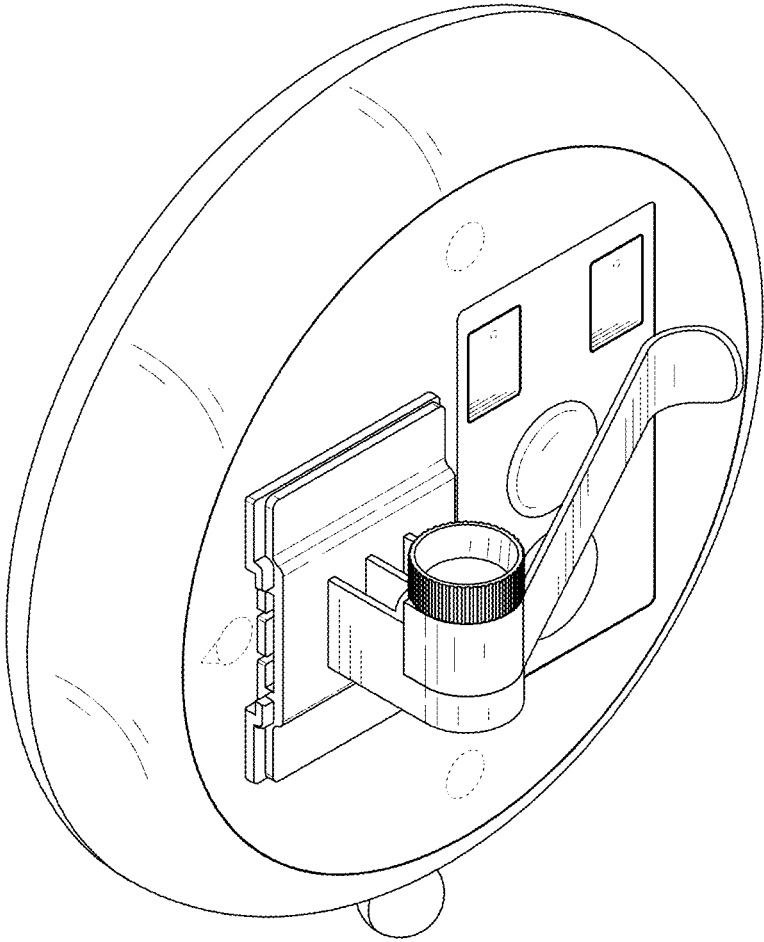


FIG. 9

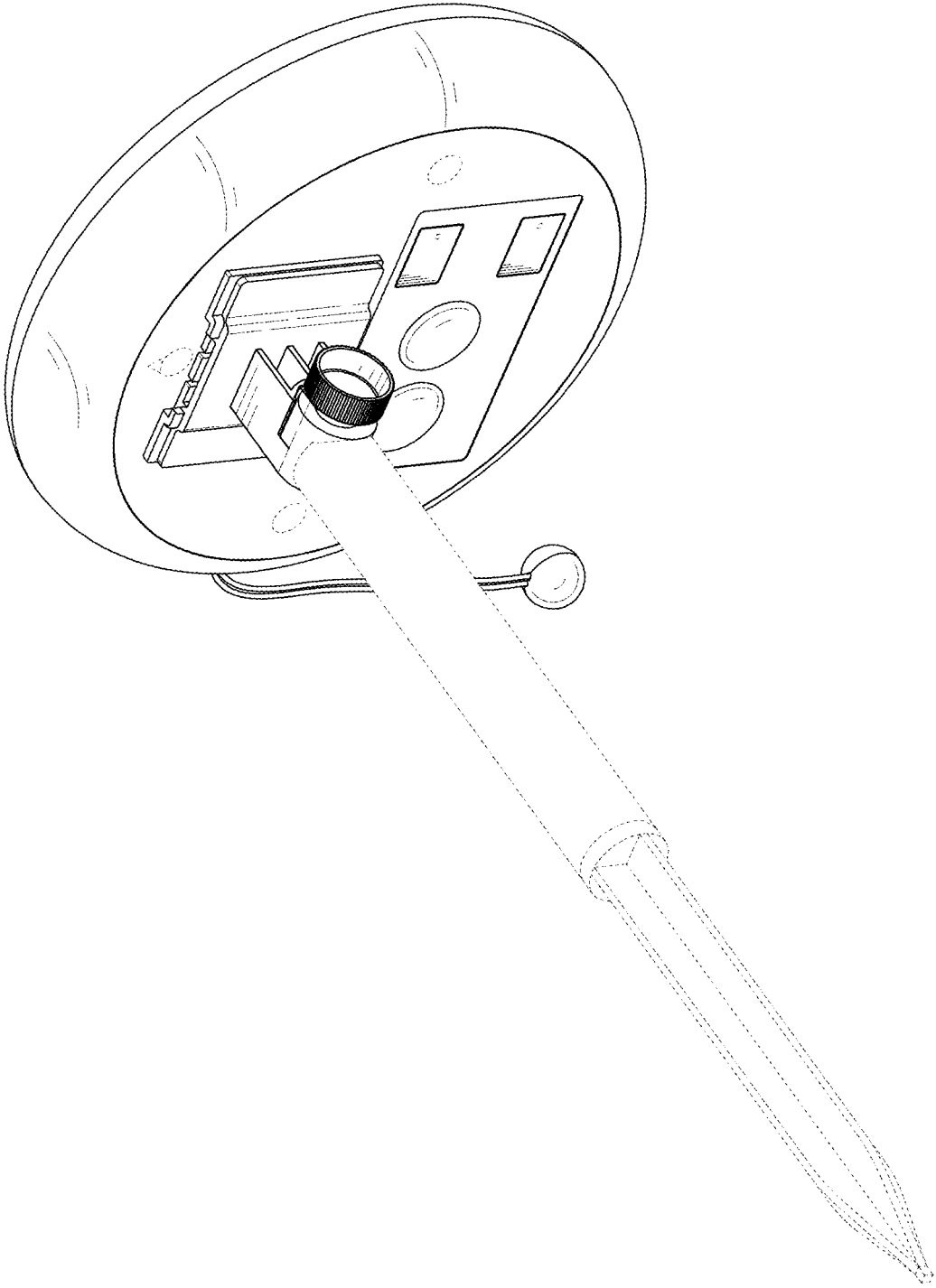


FIG. 10

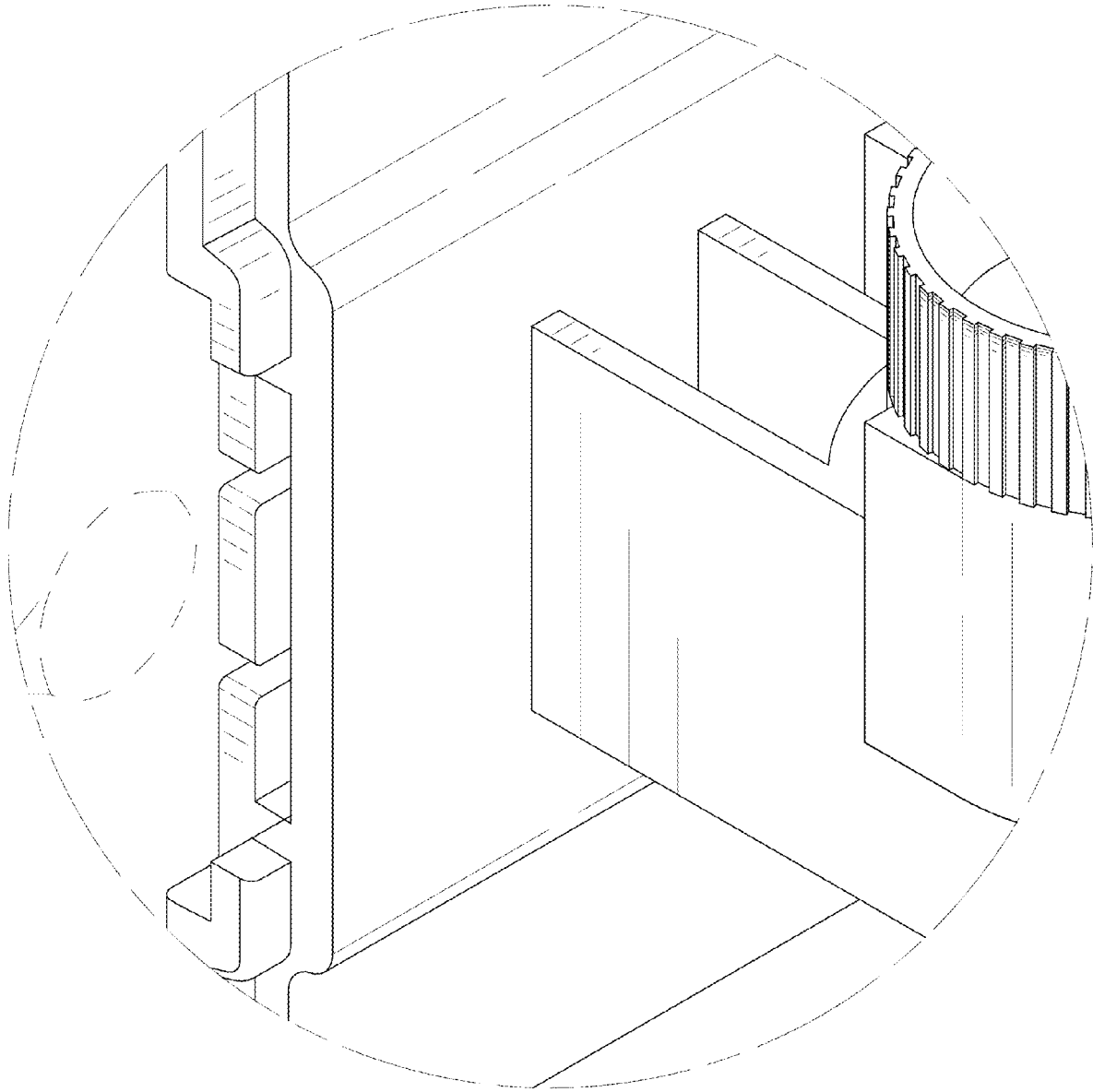


FIG. 11