



US00D837343S

(12) **United States Design Patent** (10) **Patent No.:** **US D837,343 S**
Nikles et al. (45) **Date of Patent:** **** Jan. 1, 2019**

(54) AERATOR FOR TAPS	D449,981 S * 11/2001 Davis D9/669
(71) Applicant: NIKLES TEC ITALIA S.R.L. , Brescia (IT)	D462,898 S * 9/2002 Weinstock D9/669
(72) Inventors: Gerhard Nikles , Brescia (IT); Alberto Morbio , Brescia (IT)	D529,396 S * 10/2006 Whipple D9/669
(73) Assignee: NIKLES TEC ITALIA S.R.L. , Carpendolo (Brescia) (IT)	D530,144 S * 10/2006 O'Flynn D7/354
(**) Term: 15 Years	D551,979 S * 10/2007 Daniels D9/456
	D575,508 S * 8/2008 Shanahan D3/211
	D626,427 S * 11/2010 Andreotti D9/669
	D650,694 S * 12/2011 Eisenberger D9/669
	D678,781 S * 3/2013 Andreotti D9/669
	D678,782 S * 3/2013 Andreotti D9/669
	D680,006 S * 4/2013 Andreotti D9/669
	D685,647 S * 7/2013 Andreotti D9/669
	D731,007 S * 6/2015 Davies, III D21/680

(21) Appl. No.: **35/503,226**

OTHER PUBLICATIONS

(22) Filed: **Mar. 1, 2017**

[Online] <http://www.nikles.com/en/products/accessories/aerator-lips-m24-abs>. Retrieved May 12, 2018.*

(80) **Hague Agreement Data**

Int. Filing Date: **Mar. 1, 2017**
Int. Reg. No.: **DM/096422**
Int. Reg. Date: **Mar. 1, 2017**
Int. Reg. Pub. Date: **Jun. 23, 2017**

* cited by examiner

Primary Examiner — Melanie Pellegrini
(74) *Attorney, Agent, or Firm* — Thomas | Horstemeyer, LLP

(30) **Foreign Application Priority Data**

(57) **CLAIM**

Sep. 2, 2016 (WO) DM/094193

The ornamental design for an aerator for taps, as shown and described.

(51) **LOC (11) Cl.** **23-01**

(52) **U.S. Cl.**
USPC **D23/213**

DESCRIPTION

(58) **Field of Classification Search**
USPC D23/213, 222, 249; D7/397, 398, 518, D7/521, 313; 239/428.5; 261/DIG. 22; D9/629, 600, 624, 661, 662, 669
CPC E03C 1/084; C02F 3/16
See application file for complete search history.

1.1 is a front and left side perspective view of an aerator for taps, showing our new design;
1.2 is a bottom and right side perspective view thereof;
1.3 is a front elevational view thereof;
1.4 is a side view thereof;
1.5 is a top view thereof; and
1.6 is bottom view thereof.

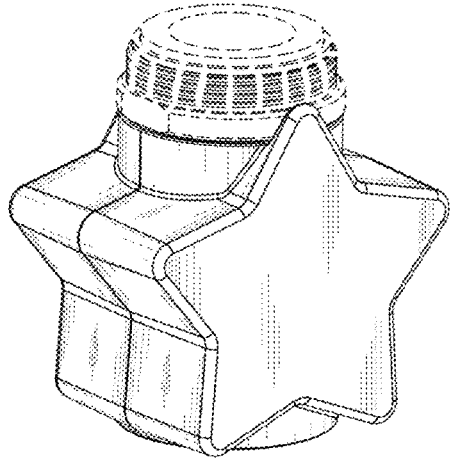
(56) **References Cited**

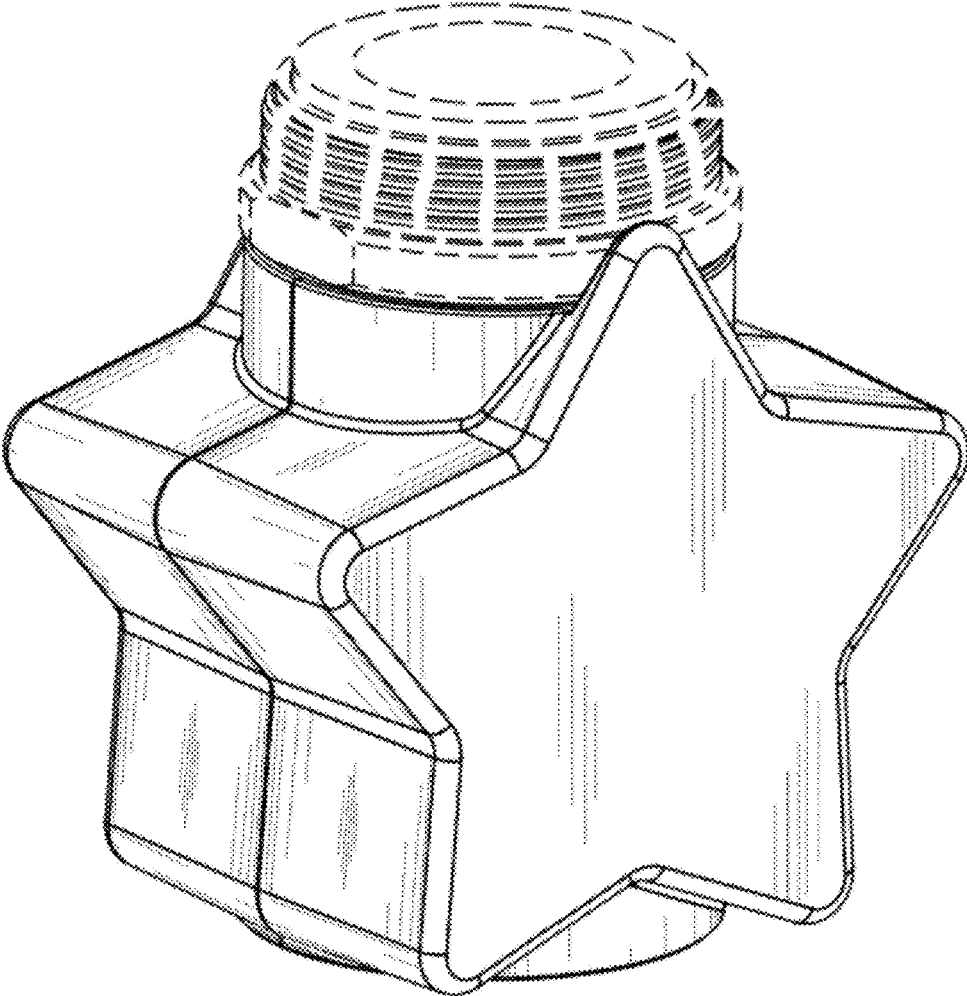
The broken lines are for the purpose of illustrating portions of the aerator for taps and form no part of the claimed design.

U.S. PATENT DOCUMENTS

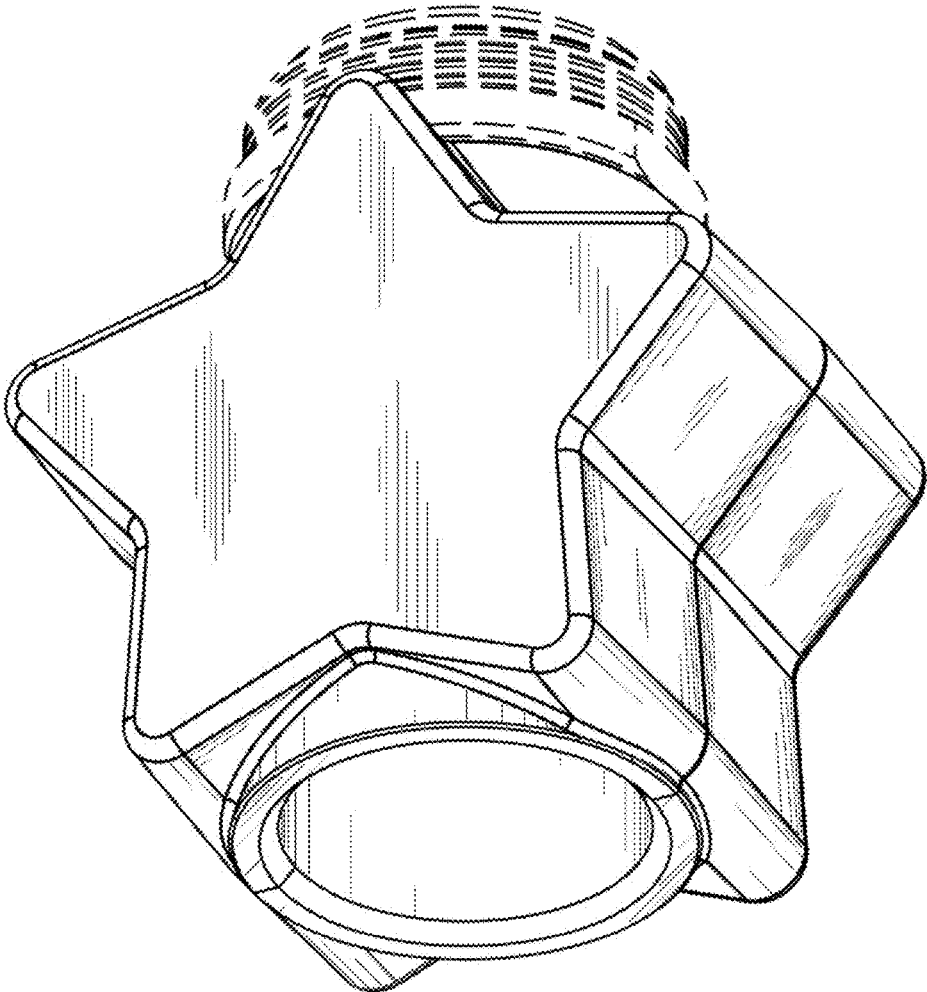
D431,187 S * 9/2000 Davis D11/131
D433,933 S * 11/2000 Stefanovic D9/669

1 Claim, 6 Drawing Sheets

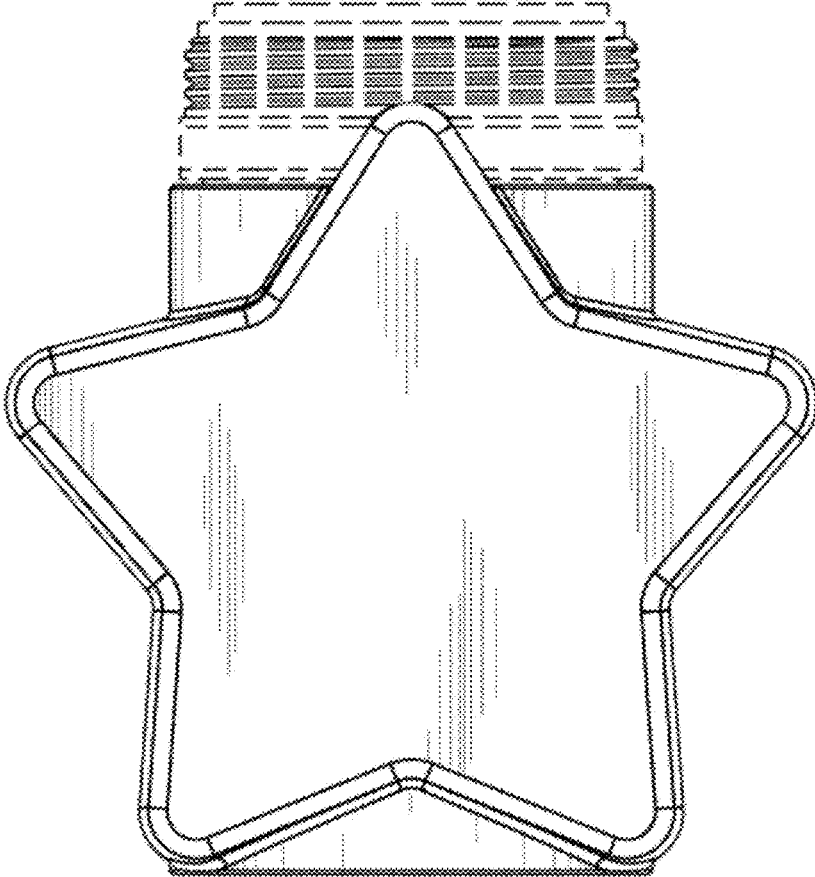




1.1



1.2



1.3

