

(19) World Intellectual Property Organization  
International Bureau



(43) International Publication Date  
8 November 2007 (08.11.2007)

PCT

(10) International Publication Number  
WO 2007/126630 A3

- (51) International Patent Classification:  
H02M 3/156 (2006.01)
- (21) International Application Number:  
PCT/US2007/006875
- (22) International Filing Date: 20 March 2007 (20.03.2007)
- (25) Filing Language: English
- (26) Publication Language: English
- (30) Priority Data:  
11/396,566 3 April 2006 (03.04.2006) US
- (71) Applicant (for all designated States except US): ALLEGRO MICROSYSTEMS, INC. [US/US]; 115 Northeast Cutoff, Worcester, Massachusetts 01615-0036 (US).
- (72) Inventors; and
- (75) Inventors/Applicants (for US only): MCINTOSH, James, A. [GB/GB]; 2 Church Gardens, Longniddry, East Lothian, Scotland Lothian EH32 OLU (GB). TOGNERI, Aldo [GB/GB]; 94 Penicuik Road, Roslin Midlothian, Scotland Lothian EH25 9NQ (GB). CHRISTIE, Robert, D. [GB/GB]; 51 Lade Braes, Dalgety Bay, Fife Fife KY11 9SS (GB).

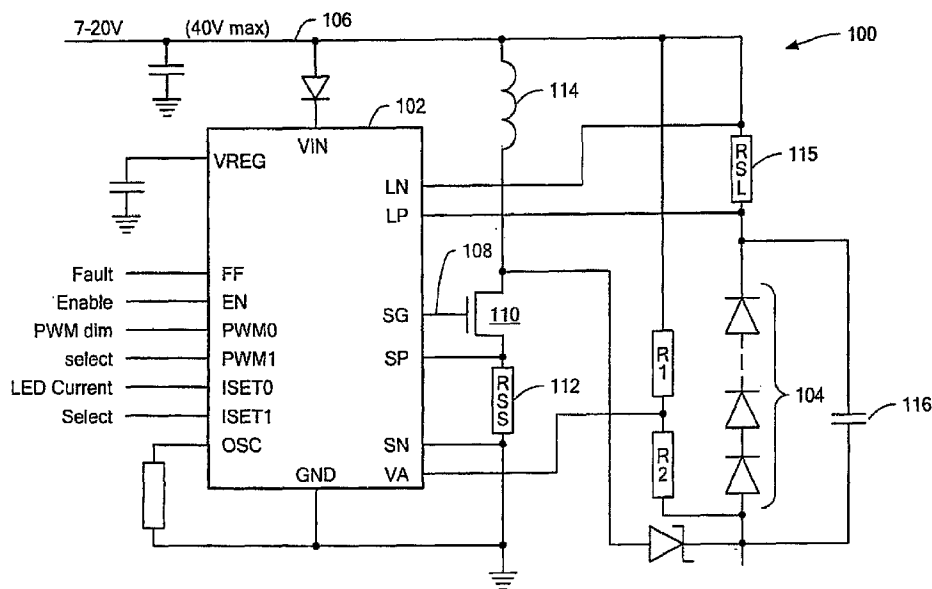
- (74) Agent: DURKEE, Paul, D.; Daly, Crowley, Mofford & Durkee, LLP, Suite 301A, 354A Turnpike Street, Canton, Massachusetts 02021 (US).
- (81) Designated States (unless otherwise indicated, for every kind of national protection available): AE, AG, AL, AM, AT, AU, AZ, BA, BB, BG, BH, BR, BW, BY, BZ, CA, CH, CN, CO, CR, CU, CZ, DE, DK, DM, DZ, EC, EE, EG, ES, FI, GB, GD, GE, GH, GM, GT, HN, HR, HU, ID, IL, IN, IS, JP, KE, KG, KM, KN, KP, KR, KZ, LA, LC, LK, LR, LS, LT, LU, LY, MA, MD, MG, MK, MN, MW, MX, MY, MZ, NA, NG, NI, NO, NZ, OM, PG, PH, PL, PT, RO, RS, RU, SC, SD, SE, SG, SK, SL, SM, SV, SY, TJ, TM, TN, TR, TT, TZ, UA, UG, US, UZ, VC, VN, ZA, ZM, ZW.
- (84) Designated States (unless otherwise indicated, for every kind of regional protection available): ARIPO (BW, GH, GM, KE, LS, MW, MZ, NA, SD, SL, SZ, TZ, UG, ZM, ZW), Eurasian (AM, AZ, BY, KG, KZ, MD, RU, TJ, TM), European (AT, BE, BG, CH, CY, CZ, DE, DK, EE, ES, FI, FR, GB, GR, HU, IE, IS, IT, LT, LU, LV, MC, MT, NL, PL, PT, RO, SE, SI, SK, TR), OAPI (BF, BJ, CF, CG, CI, CM, GA, GN, GQ, GW, ML, MR, NE, SN, TD, TG).

Declarations under Rule 4.17:

- as to applicant's entitlement to apply for and be granted a patent (Rule 4.17(ii))

[Continued on next page]

(54) Title: METHODS AND APPARATUS FOR SWITCHING REGULATOR CONTROL



(57) Abstract: A circuit includes a capacitive element for coupling across a load element to be energized by a DC signal, a first sense element to monitor an instantaneous sum of currents through the load element and the capacitive element, a switching element to control current through the first sense element, a second sense element coupled to the switching element to sense current through the switching element, an energy storage element coupled to the switching element, a unidirectional current flow element allowing current flow to the load element, and a converter circuit to control the switching element, wherein the converter circuit regulates to the current level monitored across the first sense element, and wherein a converter regulation loop includes a dominant pole to average the current sensed through the first sense element.

WO 2007/126630 A3



---

— *as to the applicant's entitlement to claim the priority of the earlier application (Rule 4.17(iii))*

**Published:**

— *with international search report*

**(88) Date of publication of the international search report:**

3 April 2008

## INTERNATIONAL SEARCH REPORT

International application No

PCT/US2007/006875

A. CLASSIFICATION OF SUBJECT MATTER  
INV. H02M3/156

According to International Patent Classification (IPC) or to both national classification and IPC

## B. FIELDS SEARCHED

Minimum documentation searched (classification system followed by classification symbols)  
H02M

Documentation searched other than minimum documentation to the extent that such documents are included in the fields searched

Electronic data base consulted during the international search (name of data base and, where practical, search terms used)

EPO-Internal

## C. DOCUMENTS CONSIDERED TO BE RELEVANT

Category*	Citation of document, with indication, where appropriate, of the relevant passages	Relevant to claim No.
X Y	WO 2005/031956 A (KONINKLIJKE PHILIPS ELECTRONICS) 7 April 2005 (2005-04-07) abstract  page 22, line 10 - line 29 figures 4,10	1,3-8, 15-17 2,9-14, 18
Y	US 2005/110469 A1 (KATSUMI INABA) 26 May 2005 (2005-05-26) abstract	2,10-14
Y	US 6 424 129 B1 (PATRICE R. LETHELLIER) 23 July 2002 (2002-07-23) abstract	9,18
A	US 6 952 093 B1 (MICHAEL EUGENE BROACH ET AL.) 4 October 2005 (2005-10-04) column 6, line 312	1
	----- -/-- -----	

Further documents are listed in the continuation of Box C.

See patent family annex.

\* Special categories of cited documents :

\*A\* document defining the general state of the art which is not considered to be of particular relevance

\*E\* earlier document but published on or after the international filing date

\*L\* document which may throw doubts on priority claim(s) or which is cited to establish the publication date of another citation or other special reason (as specified)

\*O\* document referring to an oral disclosure, use, exhibition or other means

\*P\* document published prior to the international filing date but later than the priority date claimed

\*T\* later document published after the international filing date or priority date and not in conflict with the application but cited to understand the principle or theory underlying the invention

\*X\* document of particular relevance; the claimed invention cannot be considered novel or cannot be considered to involve an inventive step when the document is taken alone

\*Y\* document of particular relevance; the claimed invention cannot be considered to involve an inventive step when the document is combined with one or more other such documents, such combination being obvious to a person skilled in the art.

\*Z\* document member of the same patent family

Date of the actual completion of the international search

28 December 2007

Date of mailing of the international search report

10/01/2008

Name and mailing address of the ISA/

European Patent Office, P.B. 5818 Patentlaan 2  
NL - 2280 HV Rijswijk  
Tel. (+31-70) 340-2040, Tx. 31 651 epo nl,  
Fax: (+31-70) 340-3016

Authorized officer

Lund, Michael

## INTERNATIONAL SEARCH REPORT

International application No

PCT/US2007/006875

C(Continuation). DOCUMENTS CONSIDERED TO BE RELEVANT		
Category*	Citation of document, with indication, where appropriate, of the relevant passages	Relevant to claim No.
A	US 6 011 431 A (BARRIE GILBERT) 4 January 2000 (2000-01-04) column 1, line 22 - line 32 -----	1
A	US 5 204 639 A (BRADLEY T. MOORE ET AL.) 20 April 1993 (1993-04-20) column 1, line 25 - line 34 -----	1
A	US 6 285 246 B1 (SUDIP BASU) 4 September 2001 (2001-09-04) column 4, line 36 - line 49 -----	1
A	US 5 600 234 A (ROY A HASTINGS ET AL.) 4 February 1997 (1997-02-04) column 9, line 66 - column 10, line 11 -----	1

## INTERNATIONAL SEARCH REPORT

Information on patent family members

International application No  
PCT/US2007/006875

Patent document cited in search report		Publication date	Patent family member(s)	Publication date
WO 2005031956	A	07-04-2005	CN 1856929 A	01-11-2006
			JP 2007507200 T	22-03-2007
			US 2007035284 A1	15-02-2007
US 2005110469	A1	26-05-2005	CN 1622438 A	01-06-2005
			JP 2005160178 A	16-06-2005
US 6424129	B1	23-07-2002	NONE	
US 6952093	B1	04-10-2005	US 7307412 B1	11-12-2007
			US 7042207 B1	09-05-2006
			US 7265530 B1	04-09-2007
			US 6969976 B1	29-11-2005
US 6011431	A	04-01-2000	AU 4368796 A	17-06-1996
			WO 9616471 A1	30-05-1996
			US 5489878 A	06-02-1996
			US 5714911 A	03-02-1998
US 5204639	A	20-04-1993	NONE	
US 6285246	B1	04-09-2001	NONE	
US 5600234	A	04-02-1997	JP 8275510 A	18-10-1996