



US00D965799S

(12) **United States Design Patent**  
**Larsen**

(10) **Patent No.:** **US D965,799 S**

(45) **Date of Patent:** **\*\* Oct. 4, 2022**

(54) **PACIFIER HOLDER**

(71) Applicant: **AH License ApS**, Hillerød (DK)

(72) Inventor: **Henrik Larsen**, Hillerød (DK)

(\*\*) Term: **15 Years**

(21) Appl. No.: **35/512,447**

(22) Filed: **Jun. 29, 2021**

(80) **Hague Agreement Data**

Int. Filing Date: **Jun. 29, 2021**

Int. Reg. No.: **DM/215879**

Int. Reg. Date: **Jun. 29, 2021**

Int. Reg. Pub. Date: **Aug. 27, 2021**

(51) **LOC (13) Cl.** ..... **24-04**

(52) **U.S. Cl.**

USPC ..... **D24/194; D3/295**

(58) **Field of Classification Search**

USPC ..... D24/115, 117, 193, 194, 195, 196, 199,  
D24/214; D30/160; D3/274, 288, 293,  
D3/294, 295, 301, 302

CPC ..... A61J 17/113; A61J 17/111

See application file for complete search history.

(56) **References Cited**

**U.S. PATENT DOCUMENTS**

4,417,613	A *	11/1983	Ryan	.....	A61J 17/113 220/4.23
4,493,324	A *	1/1985	Johnston	.....	A61J 17/113 606/236
D473,054	S *	4/2003	Roehrig	.....	D3/295
D491,364	S *	6/2004	Vish	.....	D3/218
D581,540	S *	11/2008	Nielsen	.....	D24/194
D755,400	S *	5/2016	Melvin	.....	D24/194
D806,389	S *	1/2018	Muhlenkamp, IV	.....	D3/295
D865,362	S *	11/2019	Schafer	.....	B65D 85/02 D3/302
D910,860	S *	2/2021	Villano	.....	D24/194
D952,873	S *	5/2022	Park	.....	D24/195
D958,380	S *	7/2022	Peng	.....	D24/194

(Continued)

**OTHER PUBLICATIONS**

“Suavinex: Duo Pacifier Holder”. Found online Dec. 29, 2021 at amazon.co.uk. Reference dated Jul. 28, 2014. Retrieved from https://www.amazon.co.uk/SUAVINEX-portachupete-DUO-2-U/dp/B008KL02UY/\*

(Continued)

*Primary Examiner* — Kendra Leslie Hamilton

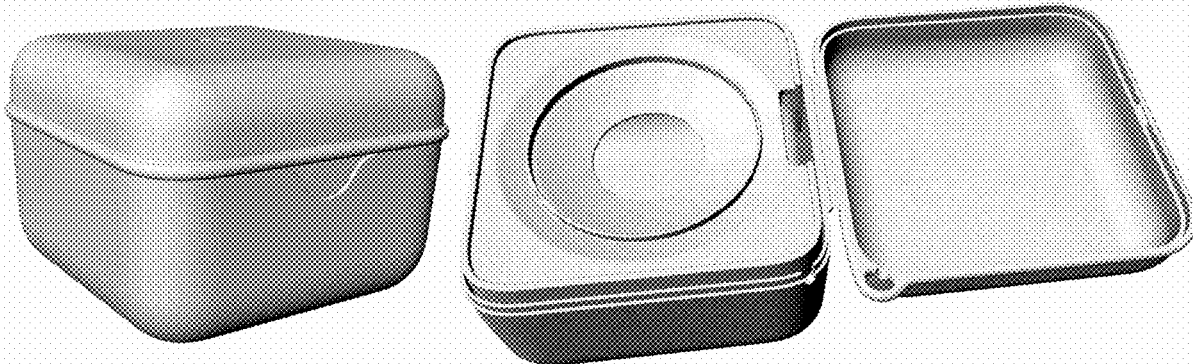
(57) **CLAIM**

The ornamental design for a pacifier holder, as shown and described.

**DESCRIPTION**

1. Pacifier holder
- 1.1 : top plan view of the pacifier holder, shown closed in a first configuration.
- 1.2 : bottom plan view, thereof.
- 1.3 : front elevation view, thereof.
- 1.4 : right side elevation view, thereof.
- 1.5 : top, front, right perspective view, thereof.
- 1.6 : sectional-elevation view, shown in the first configuration.
- 1.7 : sectional-perspective view, shown in the first configuration.
- 1.8 : top, left perspective view, shown open in a second configuration with interior element inverted.
- 1.9 : right side elevation view, thereof.
- 1.10 : top plan view, shown in the second configuration, with interior element removed for clarity of disclosure.
- 1.11 : bottom plan view, thereof.
- 1.12 : top plan view, shown in the second configuration with interior element upright.
- 1.13 : top, front, right perspective view, thereof.
- 1.14 : top, front, right perspective view, shown in the second configuration with interior element inverted.
- 1.15 : top, front, right perspective view of the pacifier holder, shown exploded for clarity of disclosure.

**1 Claim, 15 Drawing Sheets**



(56)

**References Cited**

U.S. PATENT DOCUMENTS

2006/0226044 A1\* 10/2006 Lobl ..... A61J 17/113  
206/438  
2015/0272832 A1\* 10/2015 Diamond ..... A61J 17/111  
606/236

OTHER PUBLICATIONS

“Diago: Pacifier Box (Pink Monkey)”. Found online Dec. 29, 2021 at amazon.co.uk. Reference dated Feb. 9, 2016. Retrieved from <https://www.amazon.co.uk/DIAGO-30078-74983-Soother-Pacifier-Monkey/dp/B012IHPPLQ/>.\*

“Westone: Mini-Monitor Vault II—Hard-Sided Case for Ear-phones”. Found online Jul. 20, 2022 at amazon.com. Reference dated Jun. 1, 2014. Retrieved from <https://www.amazon.com/Westone-Mini-Monitor-Vault-Hard-Sided-Ear/dp/B00KZEQFO6?th=1>.\*

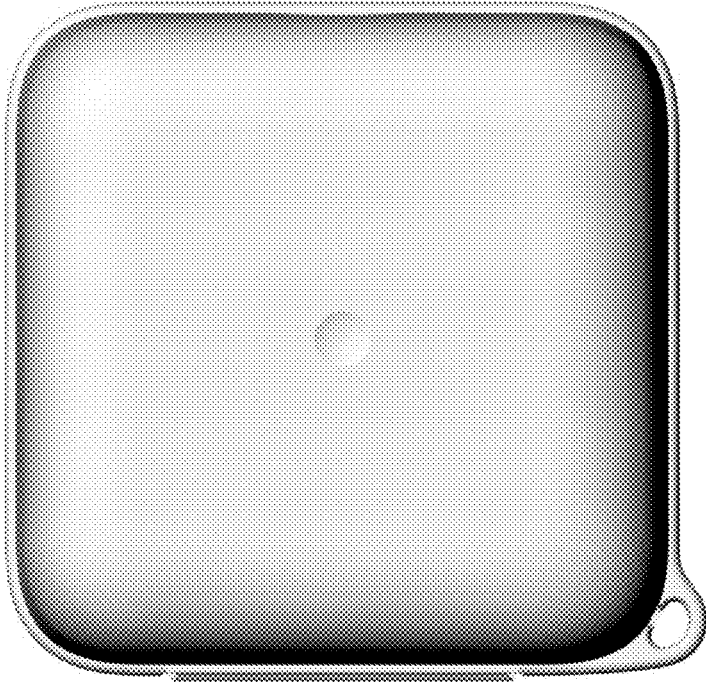
“Cosmos Clamshell Pink EVA Zipper Case”. Found online Jul. 12, 2019 at amazon.com. Reference dated Dec. 10, 2011. Retrieved from [https://www.amazon.com/Cosmos-Pink-bluetooth-handsfree-headset/dp/B005KP1KPY/ref=sr\\_1\\_4?keywords=cosmos+eva+case&qid=1562961647&s=gateway&sr=8-4](https://www.amazon.com/Cosmos-Pink-bluetooth-handsfree-headset/dp/B005KP1KPY/ref=sr_1_4?keywords=cosmos+eva+case&qid=1562961647&s=gateway&sr=8-4).\*

\* cited by examiner

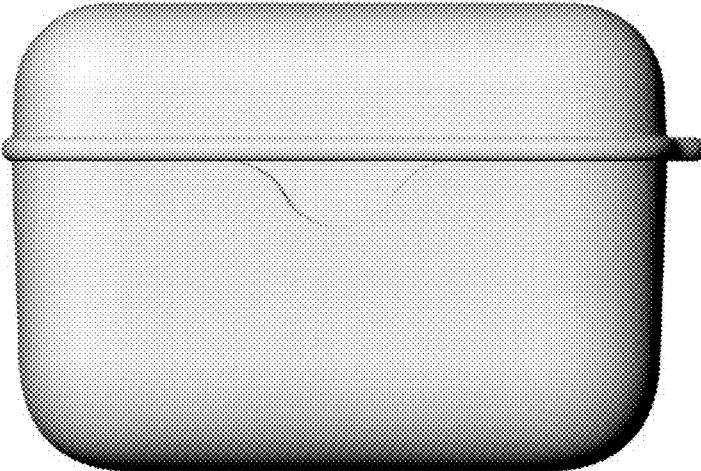
1.1



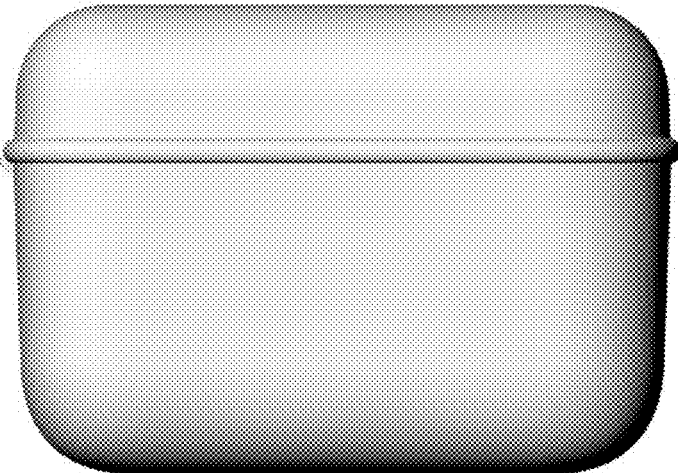
1.2



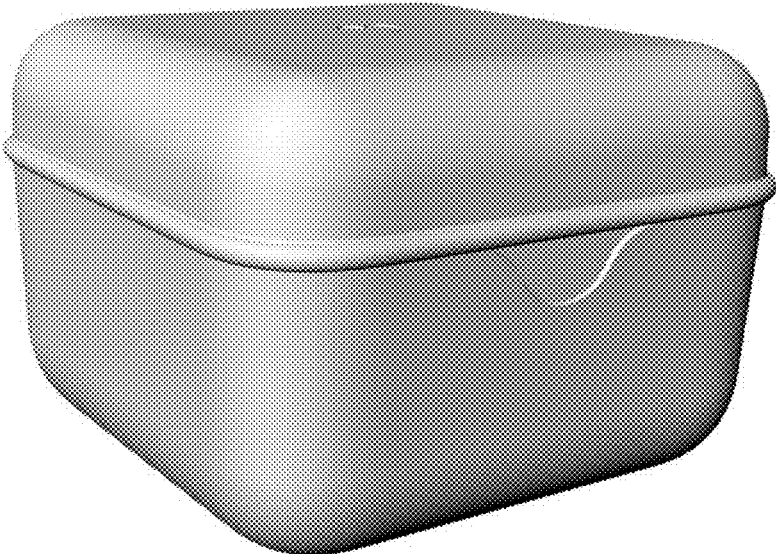
1.3



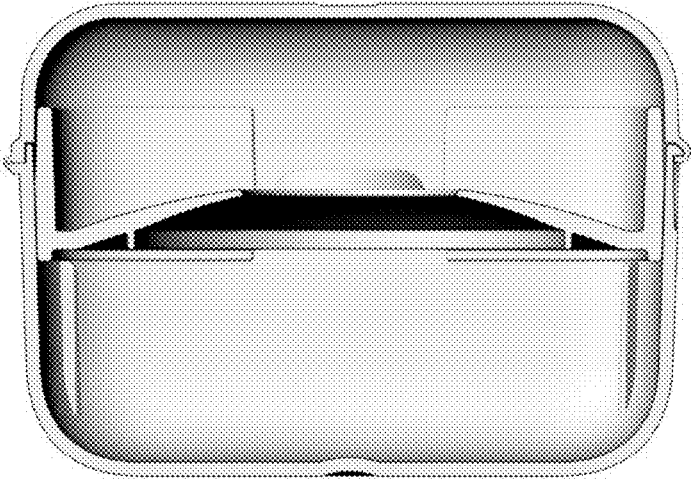
1.4



1.5

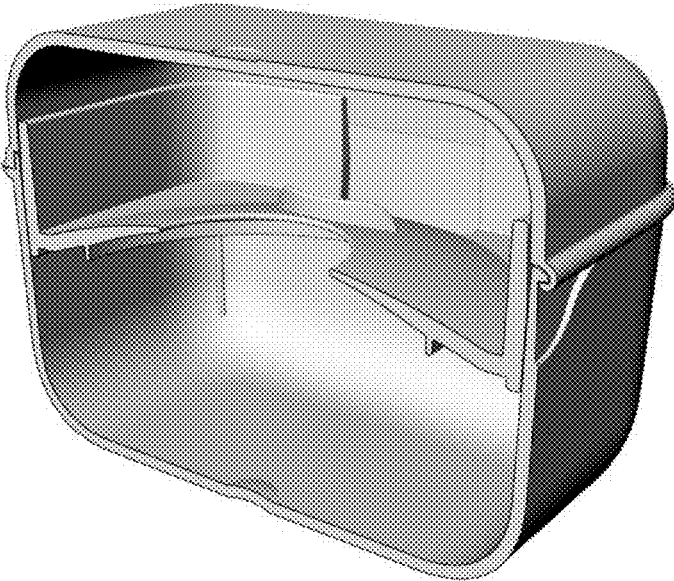


1.6





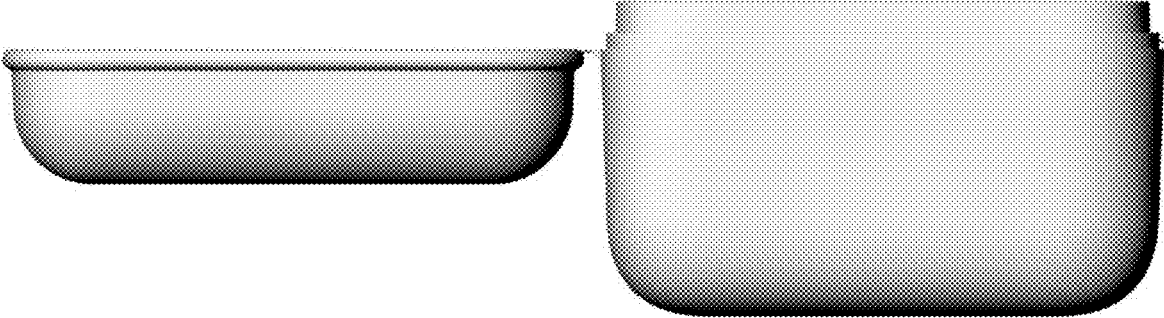
1.7



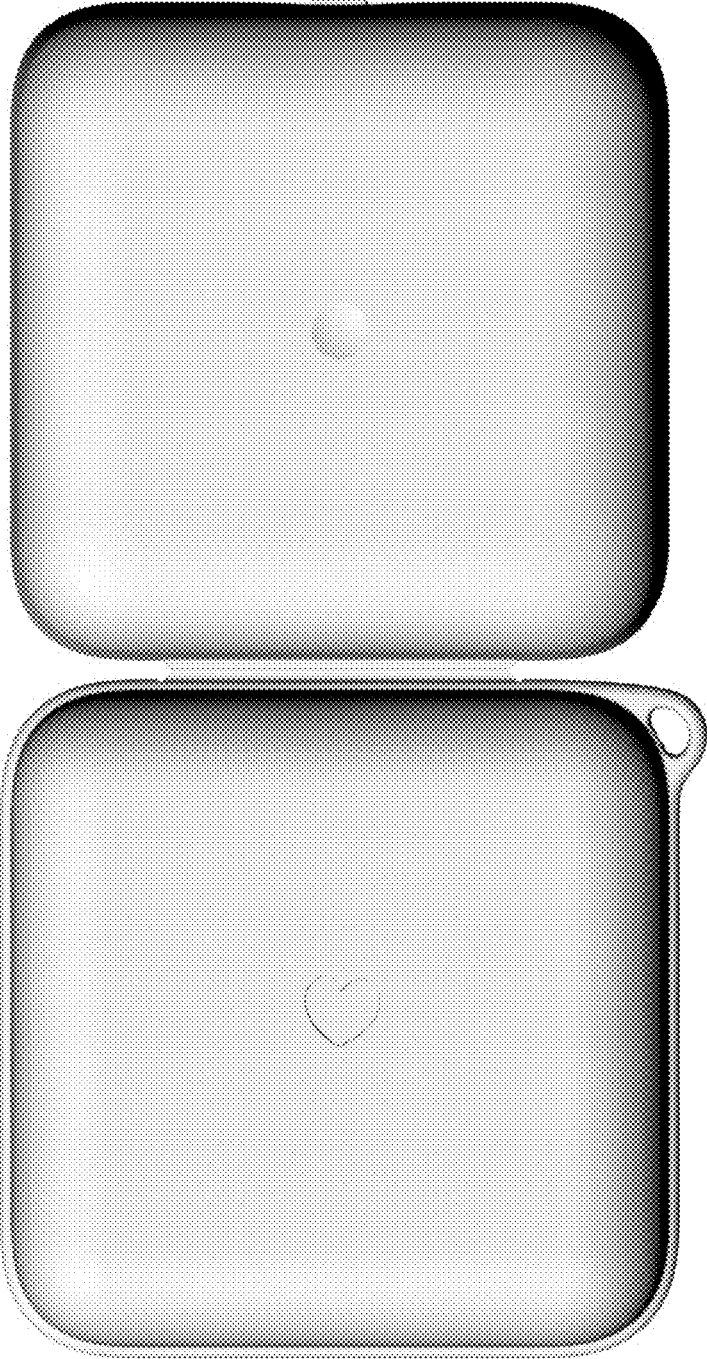
1.8



1.9



1.10



1.11



1.12



1.13



1.14





1.15

