



(12) **United States Design Patent**
Barber

(10) **Patent No.:** **US D939,180 S**
(45) **Date of Patent:** **** Dec. 21, 2021**

- (54) **PARCEL POST LOCK BOX BENCH**
- (71) Applicant: **Bryce D. Barber**, Pocatello, ID (US)
- (72) Inventor: **Bryce D. Barber**, Pocatello, ID (US)
- (**) Term: **15 Years**
- (21) Appl. No.: **29/695,911**
- (22) Filed: **Jun. 24, 2019**
- (51) **LOC (13) Cl.** **99-00**
- (52) **U.S. Cl.**
USPC **D99/29; D6/349**
- (58) **Field of Classification Search**
USPC D99/28, 29, 30, 31, 32, 33, 99; 312/35;
232/1 R, 1 A, 1 C, 1 D, 1 E, 2, 4 R, 17,
232/19, 20, 21, 22, 24, 27, 30, 31, 37, 38,
232/39, 44, 45; D3/201, 272, 273, 274;
D14/900, 901, 902; D20/1, 4, 5, 6;
D6/334, 335, 336, 329, 349, 355, 684
CPC A47G 29/12; A47G 29/1201; A47G
29/1203; A47G 29/1207; A47G 29/1209;
A47G 29/1216; A47G 29/1218; A47G
29/14; A47G 29/141; A47G 29/142;
A47G 29/148; A47G 29/16; A47B 88/00
See application file for complete search history.

3,854,656 A * 12/1974 Bishop A47G 29/1216
232/27
D259,316 S 5/1981 Offredi
4,836,352 A * 6/1989 Tateno G07F 17/12
177/25.15
4,944,422 A 7/1990 Aurness et al.
D316,321 S 4/1991 Lutz et al.
D327,767 S 7/1992 Gilbert, Jr.
5,172,970 A * 12/1992 Momose E05B 47/0002
292/201

(Continued)

OTHER PUBLICATIONS

Mail Drop Box, <https://www.pinterest.ca/pin/204421270555849782/>,
2020 (Year: 2020).*

(Continued)

Primary Examiner — Elizabeth J Oswecki
(74) *Attorney, Agent, or Firm* — Suzanne Kikel, Patent
Agent

(57) **CLAIM**

The ornamental design for a parcel post lock box bench, as
shown and described.

DESCRIPTION

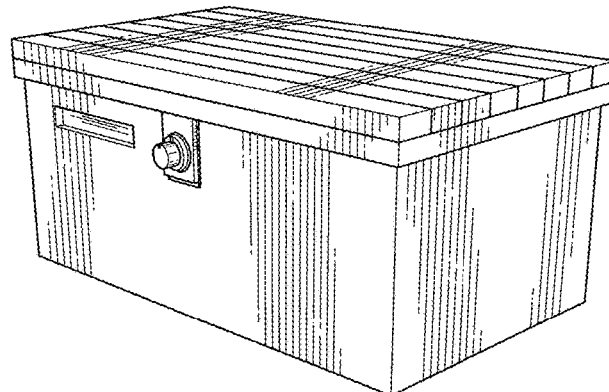
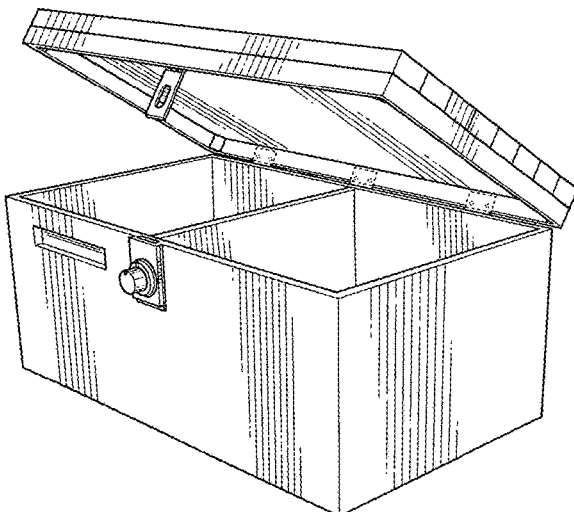
FIG. 1 is a front elevational view of a parcel post lock box bench, showing my new design;
FIG. 2 is a rear elevational view thereof;
FIG. 3 is a right side elevational view thereof;
FIG. 4 is a left side elevational view thereof;
FIG. 5 is a top plan view thereof;
FIG. 6 is a bottom plan view thereof;
FIG. 7 is a right side, front perspective view thereof, with the slatted seat in an opened position; and,
FIG. 8 is a right side, front perspective view thereof, with the slatted seat in a closed position.
The broken lines shown in FIGS. 2, 6 and 7 form no part of the claimed design.

1 Claim, 8 Drawing Sheets

(56) **References Cited**

U.S. PATENT DOCUMENTS

- D45,912 S * 6/1914 Martin D6/336
- D59,862 S 11/1921 Paletou
- D160,390 S * 10/1950 Hubbert D6/336
- D173,074 S * 9/1954 McMaster D6/336
- 2,725,923 A * 12/1955 Bachrach A47C 13/00
297/188.1
- D190,939 S 7/1961 Herblan
- 3,355,088 A * 11/1967 Young E05D 5/04
229/125.11
- 3,784,089 A * 1/1974 Koch A47G 29/1201
232/24
- D233,370 S * 10/1974 Bishop D99/33



(56)

References Cited

U.S. PATENT DOCUMENTS

D351,508 S * 10/1994 Bonazza D6/336
 5,774,053 A 6/1998 Porter
 5,979,750 A * 11/1999 Kindell A47G 29/141
 232/1 R
 D423,237 S * 4/2000 Chang D6/336
 D428,717 S * 8/2000 Solowiej D6/349
 6,344,796 B1 2/2002 Ogilvie et al.
 D465,936 S * 11/2002 Arnold D6/349
 D468,915 S * 1/2003 Talbott D06F 95/002
 D32/37
 6,967,575 B1 11/2005 Dohrmann et al.
 7,175,071 B1 * 2/2007 Slagle A47G 29/16
 220/833
 D575,474 S * 8/2008 Williams D99/29
 D590,153 S * 4/2009 Sapp D3/279
 D593,275 S * 5/2009 Williams D99/29
 D674,616 S * 1/2013 Frankel D6/349
 D714,514 S * 9/2014 Pettit D99/29
 D726,990 S * 4/2015 Aziz D99/29
 D740,515 S * 10/2015 Aziz D99/29
 9,211,025 B1 * 12/2015 Elhawwashy A47G 29/20
 D766,000 S * 9/2016 Williams D6/336
 D789,022 S * 6/2017 Spears D99/29
 D799,783 S * 10/2017 Spears D99/29
 D799,784 S * 10/2017 Spears D99/29
 D800,413 S * 10/2017 Spears D99/29
 D800,414 S * 10/2017 Spears D99/29
 D802,249 S * 11/2017 Spears D99/29
 D805,311 S * 12/2017 Mandon D6/349

D809,739 S * 2/2018 Spears D99/28
 D810,389 S * 2/2018 Spears D99/28
 D811,038 S * 2/2018 Spears D99/28
 D811,039 S * 2/2018 Spears D99/28
 D811,688 S * 2/2018 Spears D99/28
 D822,185 S * 7/2018 Pontillas D23/332
 D822,186 S * 7/2018 Pontillas D23/332
 D823,013 S * 7/2018 Burden D6/349
 D849,428 S * 5/2019 Wang D6/336
 D854,279 S * 7/2019 Wirtz D99/29
 D874,840 S * 2/2020 Krouwel D6/349
 D897,625 S * 9/2020 Hall D99/29
 2014/0008246 A1 1/2014 Pfeiffer
 2017/0101237 A1 4/2017 Capous

OTHER PUBLICATIONS

Package Vault Delivery Storage Box-Locking Out Thieves,<https://www.blockporchpirates.com/shop/package-vault-delivery-storage-box-wifi-sensor/>, 2018 (Year: 2018).*

DIY a Porch Packages Lock Box Bench, <https://www.buildsomething.com/plans/P45A87F89921B2A6F/DIY-a-Porch-Packages-Lock-Box-Bench>, Oct. 27, 2018 (Year: 2018).*

Package Lock Box for Outdoor Storage—Weatherproof Large Locking Mailbox—Eliminates Porch Theft—Smart Lock—Perfect for Mail, Parcel & Packages at Home or Office,https://www.amazon.com/BenchSentry-Home-Package-SecuritySystem/dp/B08KRHXDCQ/ref=sr_1_2_sspa?dchild=1&hvadid=77859180033690 Oct. 7, 2020 (Year: 2020).*

* cited by examiner

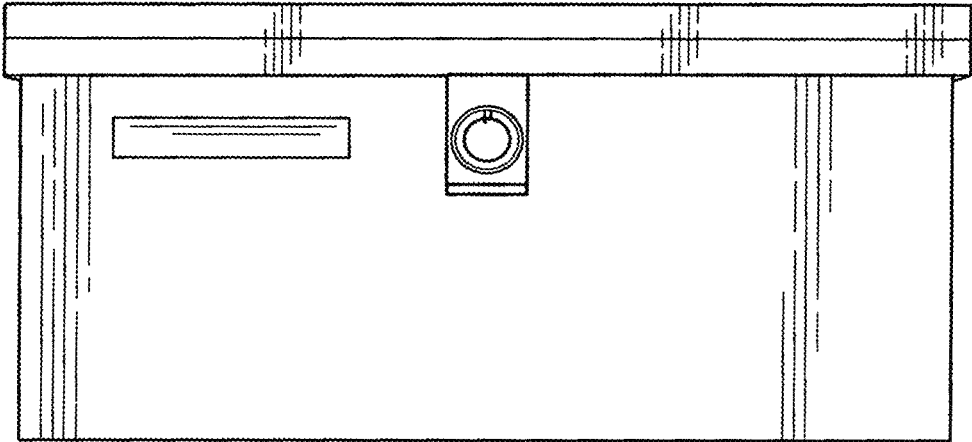


FIG. 1

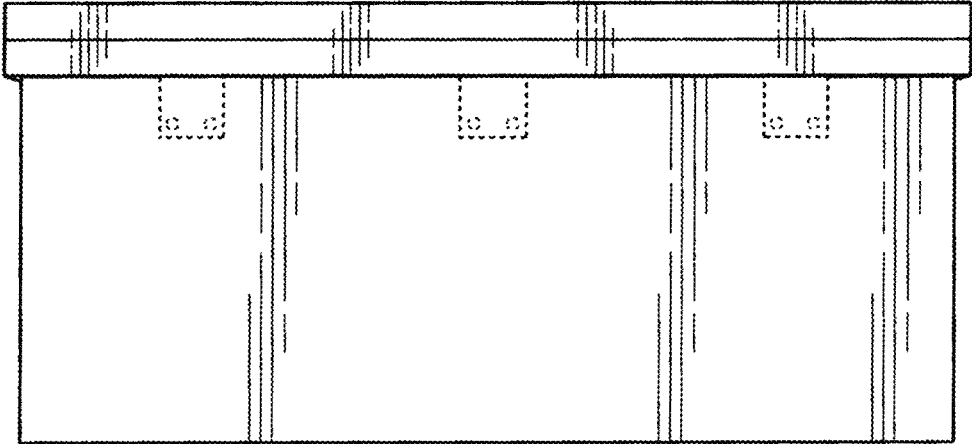


FIG. 2

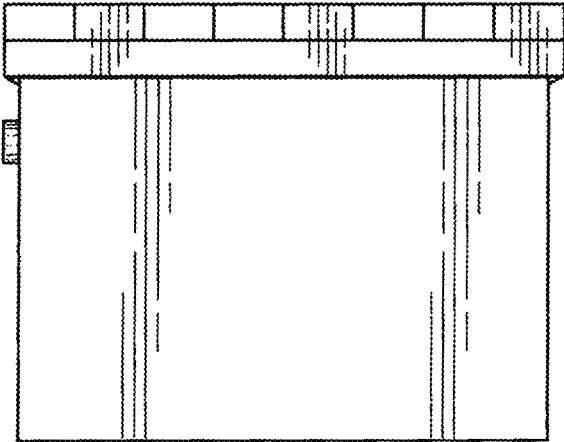


FIG. 3

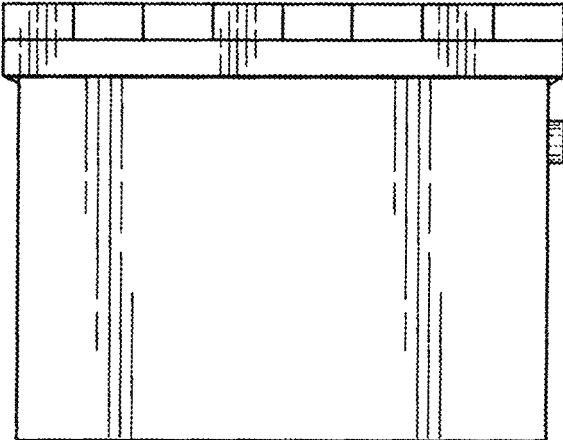


FIG. 4

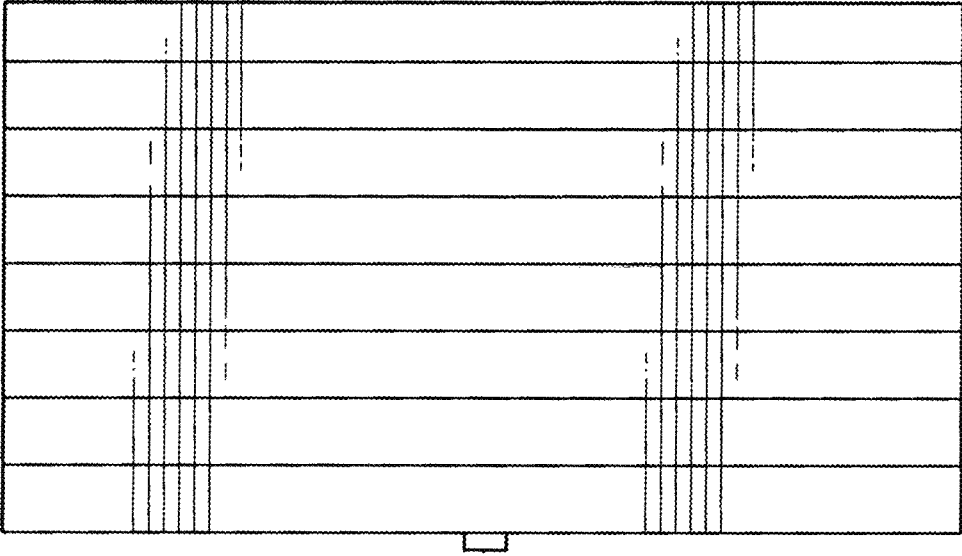


FIG. 5

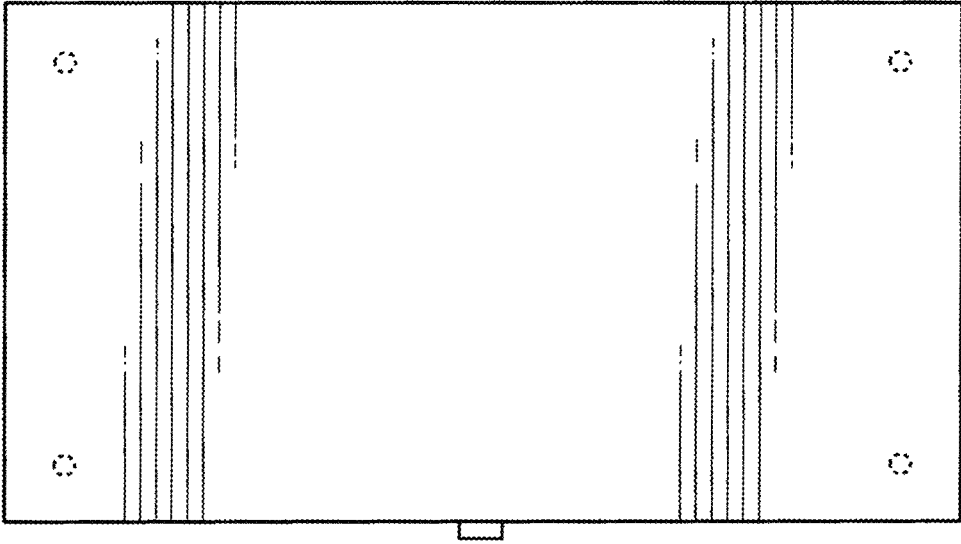


FIG. 6

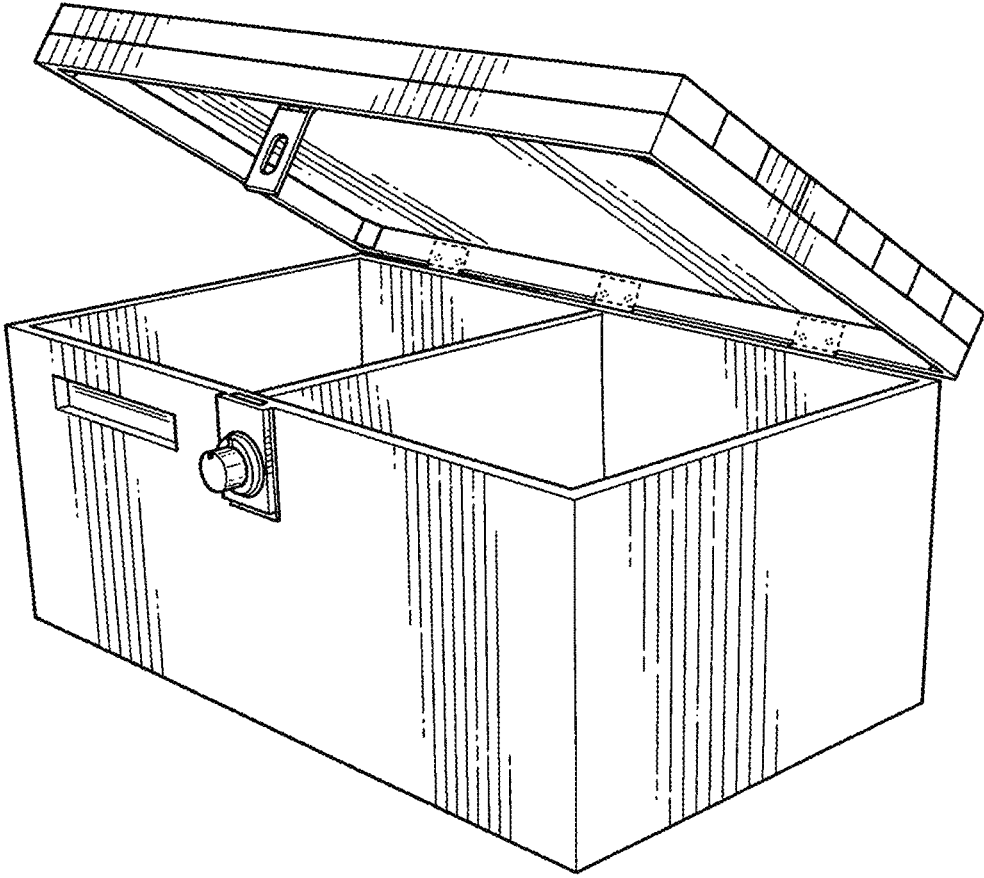


FIG. 7

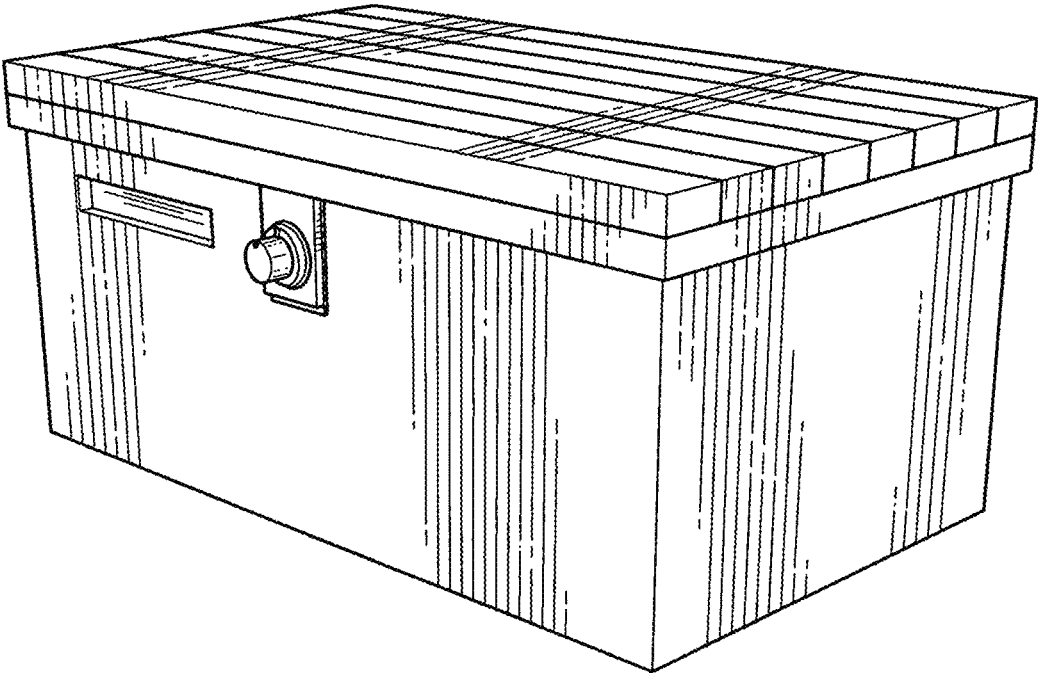


FIG. 8