



US00D662982S

(12) **United States Design Patent**  
**Zhang**

(10) **Patent No.:** **US D662,982 S**

(45) **Date of Patent:** **\*\* Jul. 3, 2012**

- (54) **PEN**
- (75) Inventor: **Youbin Zhang**, Ningbo (CN)
- (73) Assignee: **Beifa Group Co., Ltd.**, Ningbo (CN)
- (\*\*) Term: **14 Years**
- (21) Appl. No.: **29/387,805**
- (22) Filed: **Mar. 18, 2011**

- D548,787 S 8/2007 Slemp
- D551,707 S \* 9/2007 Neuenschwander et al. ... D19/47
- D582,979 S 12/2008 Leibeck
- D603,899 S \* 11/2009 Suero et al. .... D19/50
- D604,362 S \* 11/2009 Suero et al. .... D19/50
- D612,425 S \* 3/2010 Suero et al. .... D19/41
- D628,637 S 12/2010 Xiao
- D628,638 S 12/2010 Zhano
- D628,639 S 12/2010 Wang
- D631,915 S 2/2011 Stukenkemper
- D633,943 S 3/2011 Stukenkemper
- D642,619 S \* 8/2011 Kermaal ..... D19/48
- D651,241 S \* 12/2011 Liang ..... D19/48

- (30) **Foreign Application Priority Data**
- Sep. 19, 2010 (CN) ..... 2010 3 0531176
- (51) **LOC (9) Cl.** ..... **19-06**
- (52) **U.S. Cl.** ..... **D19/48**
- (58) **Field of Classification Search** ..... D19/35,  
D19/36, 41-51, 54-58; 24/11 R, 11 F, 11 P;  
401/52, 99, 100-109, 192, 195, 196; D14/411  
See application file for complete search history.

**OTHER PUBLICATIONS**

- Zhang, Y., "Pen," U.S. Appl. No. 29/365,887, filed Jul. 16, 2010.
- Zhang, Y., "Pen," U.S. Appl. No. 29/387,625, filed Mar. 15, 2011.
- Zhang, Y., "Pen," U.S. Appl. No. 29/387,803, filed Mar. 18, 2011.
- Zhang, Y., "Pen," U.S. Appl. No. 29/390,521, filed Apr. 26, 2011.

\* cited by examiner

*Primary Examiner* — Elizabeth Albert  
 (74) *Attorney, Agent, or Firm* — Christensen O'Connor Johnson Kindness PLLC

(56) **References Cited**

**U.S. PATENT DOCUMENTS**

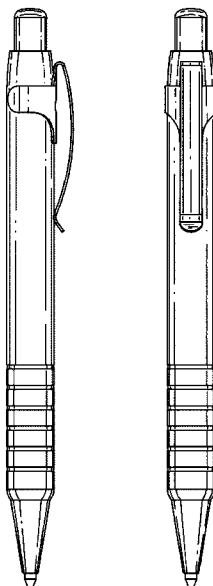
- 1,204,053 A \* 11/1916 Moore ..... 24/11 F
- 1,234,686 A \* 7/1917 Palmer ..... 30/452
- D356,306 S 3/1995 Ady
- D363,739 S 10/1995 Petrillo
- D386,788 S 11/1997 Shui-Shang
- D389,131 S 1/1998 Nagaoka
- D406,604 S 3/1999 Andrews
- D413,926 S 9/1999 Polidoro
- D421,771 S 3/2000 Avenatti
- D440,602 S 4/2001 Ikeda
- D452,707 S 1/2002 Kazaoka
- D453,354 S 2/2002 Ikenaga
- D462,356 S 9/2002 Ono
- D480,756 S \* 10/2003 Hwang ..... D19/48
- D496,962 S 10/2004 Bonnamour
- D500,792 S 1/2005 Bain

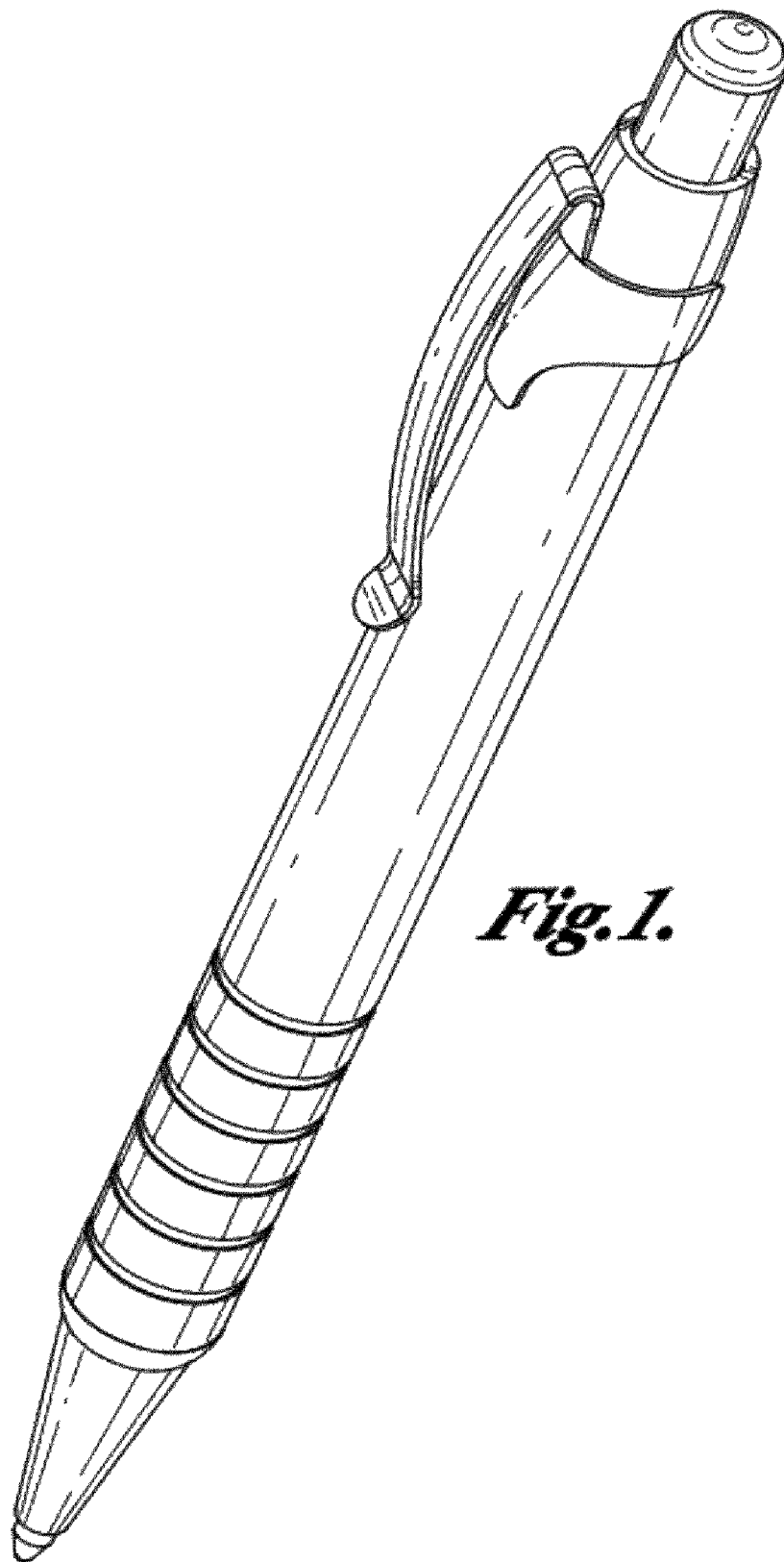
- (57) **CLAIM**
- The ornamental design for a pen, as shown and described.

**DESCRIPTION**

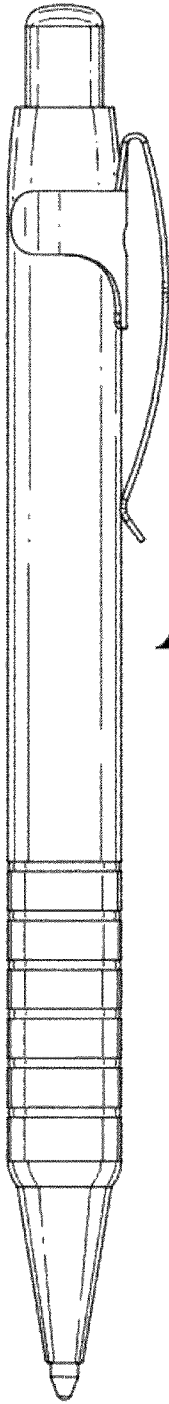
FIG. 1 is an upper front right perspective view of a pen showing my new design;  
 FIG. 2 is a left side elevation view thereof, with the right side elevation view being a mirror image of the left side elevation view;  
 FIG. 3 is a front elevation view thereof;  
 FIG. 4 is a rear elevation view thereof;  
 FIG. 5 is an enlarged top plan view thereof; and,  
 FIG. 6 is an enlarged bottom plan view thereof.

**1 Claim, 3 Drawing Sheets**

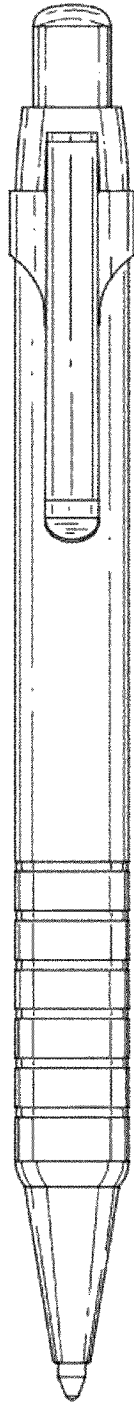




***Fig. 1.***



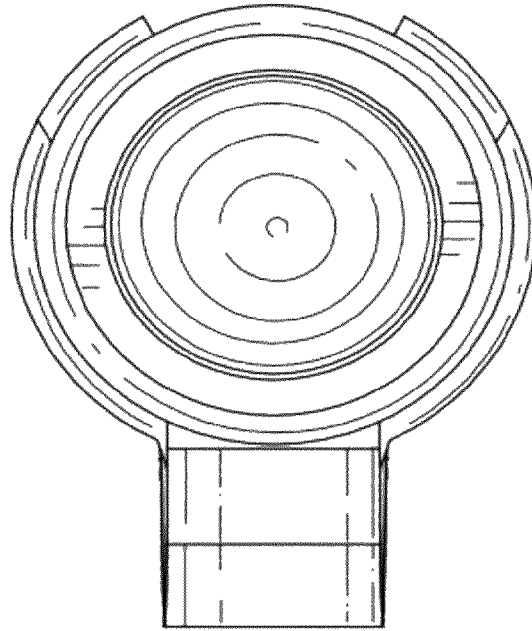
*Fig. 2.*



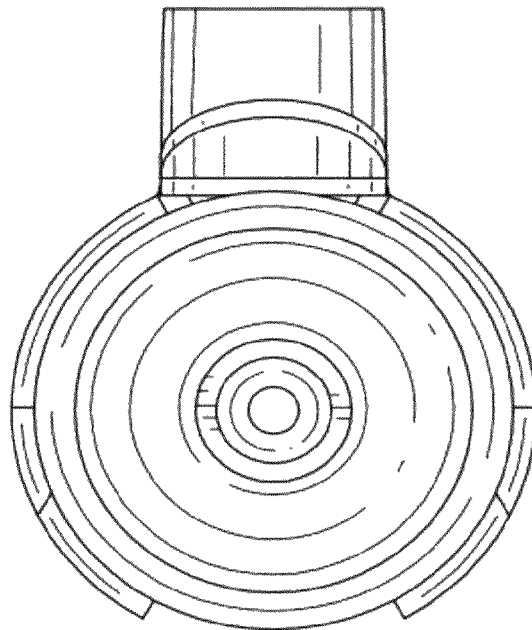
*Fig. 3.*



*Fig. 4.*



*Fig. 5.*



*Fig. 6.*