



(12) **United States Design Patent**
Paterson et al.

(10) **Patent No.:** **US D927,456 S**
(45) **Date of Patent:** **** Aug. 10, 2021**

- (54) **MICROPHONE BOOM FOR A COMMUNICATIONS HEADSET**
- (71) Applicant: **Plantronics, Inc.**, Santa Cruz, CA (US)
- (72) Inventors: **Nicholas W Paterson**, Aptos, CA (US);
John A Kelley, Santa Cruz, CA (US)
- (73) Assignee: **Plantronics, Inc.**, Santa Cruz, CA (US)
- (**) Term: **15 Years**
- (21) Appl. No.: **29/730,828**
- (22) Filed: **Apr. 8, 2020**

D233,444 S	10/1974	Christian	
D246,242 S	11/1977	Bellini	
4,420,657 A *	12/1983	Larkin	H04M 1/05 181/129
4,634,816 A *	1/1987	O'Malley	H04M 1/05 379/430
D299,337 S	1/1989	Wiegel	
D302,429 S	7/1989	Leer	
4,875,233 A *	10/1989	Derhaag	H04M 1/05 379/430
D322,071 S	12/1991	Bergin et al.	
5,068,923 A	12/1991	Sjoqvist	
D327,265 S	6/1992	Jasey	
5,138,722 A	8/1992	Urella et al.	
5,210,792 A *	5/1993	Kajihara	H04M 1/05 379/430
5,345,512 A	9/1994	Lee et al.	

(Continued)

Related U.S. Application Data

- (62) Division of application No. 29/641,325, filed on Mar. 21, 2018, now Pat. No. Des. 882,544.
- (51) **LOC (13) Cl.** **14-01**
- (52) **U.S. Cl.**
USPC **D14/206; D14/225**
- (58) **Field of Classification Search**
USPC D14/206, 205, 225; 381/380, 381, 322,
381/330, 370, 375, 376; 455/90.3, 575.1,
455/569.1
CPC H04R 25/00; H04R 19/04; H04R 9/08;
H04R 1/10; H04R 9/04; H04R 1/1091;
H04R 1/1066; H04R 1/1016; H04R
5/033; H04R 5/0335; H04R 1/02; H04R
1/1083
See application file for complete search history.

Primary Examiner — Paula Allen Greene
(74) *Attorney, Agent, or Firm* — Ferguson Braswell
Fraser Kubasta PC

(57) **CLAIM**

The ornamental design for a microphone boom for a communications headset, as shown and described.

DESCRIPTION

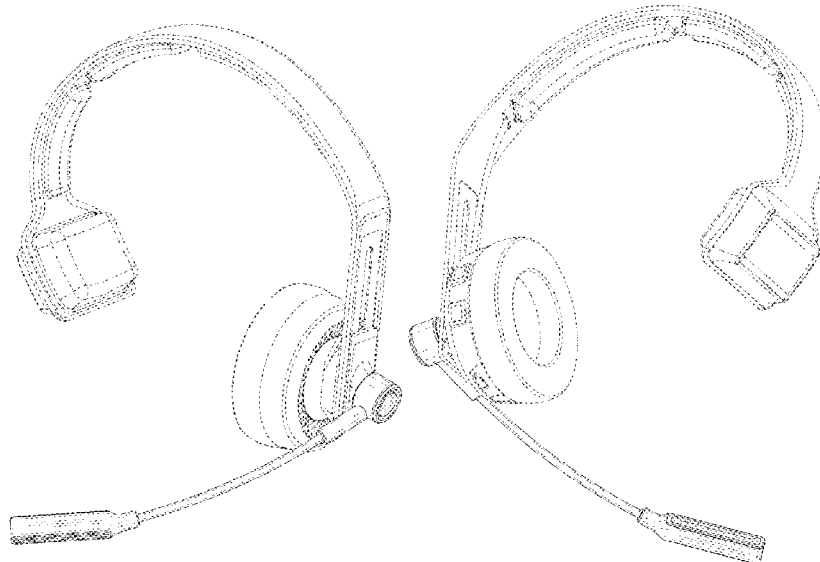
FIG. 1 is a top-right perspective view of a microphone boom for a communications headset showing my new design; FIG. 2 is a bottom-left perspective view thereof; FIG. 3 is a front view thereof; FIG. 4 is a back view thereof; FIG. 5 is a right side view thereof; FIG. 6 is a left side view thereof; FIG. 7 is a top view thereof; and, FIG. 8 is a bottom view thereof. The broken lines depicting a temple pad, headband and earcup are to show environment and form no part of the claimed design.

(56) **References Cited**

U.S. PATENT DOCUMENTS

1,648,832 A *	11/1927	Urban	H04R 1/1008 181/129
2,025,398 A	12/1935	Pocock	
2,910,679 A *	10/1959	Baldwin	G08B 21/06 340/575

1 Claim, 8 Drawing Sheets



(56)

References Cited

U.S. PATENT DOCUMENTS

5,369,857	A *	12/1994	Sacherman	H04R 5/0335	29/594	D716,258	S *	10/2014	Awiszus	D14/206
5,787,166	A *	7/1998	Ullman	H04M 1/05	379/430	D716,259	S *	10/2014	Awiszus	D14/206
5,793,878	A	8/1998	Chang			D716,760	S *	11/2014	Brunner	D14/206
D398,309	S	9/1998	Bergin et al.			D717,767	S *	11/2014	Mistry	D14/206
D449,039	S *	10/2001	Weikel	D14/227		D730,868	S *	6/2015	Birger	D14/206
D451,907	S *	12/2001	Amae	D14/206		D732,001	S	6/2015	Licht et al.	
D463,784	S *	10/2002	Taylor	D14/206		D741,842	S *	10/2015	Levine	D14/226
6,560,346	B2 *	5/2003	Ohta	H04R 1/083	381/370	D750,043	S *	2/2016	Birger	D14/206
D488,146	S	4/2004	Minto			D766,206	S	9/2016	Paterson et al.	
6,819,762	B2 *	11/2004	Jones	H04M 1/05	379/430	D766,207	S	9/2016	Paterson et al.	
D504,419	S *	4/2005	Bey	D14/223		D766,208	S	9/2016	Paterson et al.	
D505,413	S *	5/2005	Skulley	D14/223		D800,091	S	10/2017	Paterson	
D510,082	S *	9/2005	Olson	D14/206		D800,092	S	10/2017	Paterson et al.	
6,980,666	B1 *	12/2005	Owen	H04R 5/033	381/371	D806,676	S *	1/2018	Fuglsang	D14/206
D517,528	S *	3/2006	Skulley	D14/206		D808,359	S	1/2018	Meyer et al.	
D518,479	S	4/2006	Skulley			D810,718	S	2/2018	Galler	
7,106,873	B1 *	9/2006	Harrison	A61N 1/36038	381/330	D815,614	S	4/2018	Tzeng et al.	
7,106,877	B1 *	9/2006	Linville	H04R 1/105	381/370	D820,812	S *	6/2018	Bidwell	D14/206
D531,165	S *	10/2006	Rath	D14/206		D822,638	S *	7/2018	Liu	D14/206
D537,815	S *	3/2007	Bentley	D14/206		D830,339	S *	10/2018	Yan	D14/206
D539,789	S	4/2007	Rausch et al.			D836,085	S *	12/2018	Sun	D14/206
D540,303	S	4/2007	Rausch et al.			D843,343	S	3/2019	Paterson et al.	
D540,313	S *	4/2007	Rausch	D14/225		D843,349	S	3/2019	Burgess et al.	
D540,778	S *	4/2007	Thompson	D14/206		D847,117	S	4/2019	Summerson et al.	
D563,382	S	3/2008	Wikel			D851,628	S *	6/2019	Wernblad	D14/206
D567,220	S *	4/2008	Wang	D14/206		D855,036	S *	7/2019	Yan	D14/206
7,391,863	B2 *	6/2008	Viduya	H04M 1/05	379/430	D864,155	S *	10/2019	Liu	D14/206
7,412,070	B2	8/2008	Kleinschmidt et al.			D864,156	S *	10/2019	Liu	D14/206
D597,072	S *	7/2009	Asai	D14/206		D866,509	S *	11/2019	Lindof	D14/206
D602,001	S *	10/2009	Bentley	D14/206		D866,510	S *	11/2019	Lindof	D14/206
D603,372	S *	11/2009	Bentley	D14/206		D866,513	S *	11/2019	Lindof	D14/206
D617,771	S *	6/2010	Groves	D14/206		D866,514	S *	11/2019	Lindof	D14/206
D635,958	S	4/2011	Ando et al.			D867,330	S *	11/2019	Lindof	D14/206
D638,000	S *	5/2011	Hoggarth	D14/206		D867,331	S *	11/2019	Lindof	D14/206
D643,405	S *	8/2011	Rath	D14/206		D870,069	S *	12/2019	Hu	D14/206
D647,877	S *	11/2011	Son	D14/206		D875,073	S *	2/2020	Pedersen	D14/206
D652,017	S *	1/2012	Groves	D14/206		D882,544	S *	4/2020	Paterson	D14/205
D654,471	S *	2/2012	Fischer	D14/206		D885,364	S *	5/2020	Paterson	D14/206
D654,472	S *	2/2012	Fischer	D14/206		D891,399	S *	7/2020	Chen	D14/206
D662,912	S	7/2012	Iijima et al.			D896,203	S *	9/2020	Tong	D14/206
D671,915	S *	12/2012	Birger	D14/206		D898,701	S *	10/2020	Zhong	D14/206
D672,745	S	12/2012	Abed et al.			D898,711	S *	10/2020	Pedersen	D14/225
D681,014	S *	4/2013	Ham	D14/223		D904,340	S *	12/2020	Law	D14/205
D691,112	S *	10/2013	Brunner	D14/206		D915,348	S *	4/2021	He	D14/206
D692,410	S *	10/2013	Brunner	H04R 1/1008		2001/0017925	A1	8/2001	Ceravolo	
8,605,934	B2 *	12/2013	Hagberg	H04R 1/1066	381/375	2005/0201569	A1 *	9/2005	Kuraoka	H04M 1/05
D713,817	S *	9/2014	Paterson	D14/205						381/74
						2005/0220318	A1	10/2005	Han	
						2005/0286717	A1 *	12/2005	Viduya	H04M 1/18
										379/430
						2010/0040252	A1	2/2010	Thompson et al.	
						2011/0194721	A1	8/2011	Schmidt et al.	
						2012/0163616	A1 *	6/2012	Birch	H04R 1/1066
										381/74
						2012/0328119	A1 *	12/2012	Heise	H04R 1/1066
										381/74
						2013/0329905	A1 *	12/2013	Awiszus	H04M 1/6066
										381/74
						2017/0041695	A1 *	2/2017	Hernandez Vazquez	H04R 1/1075

* cited by examiner

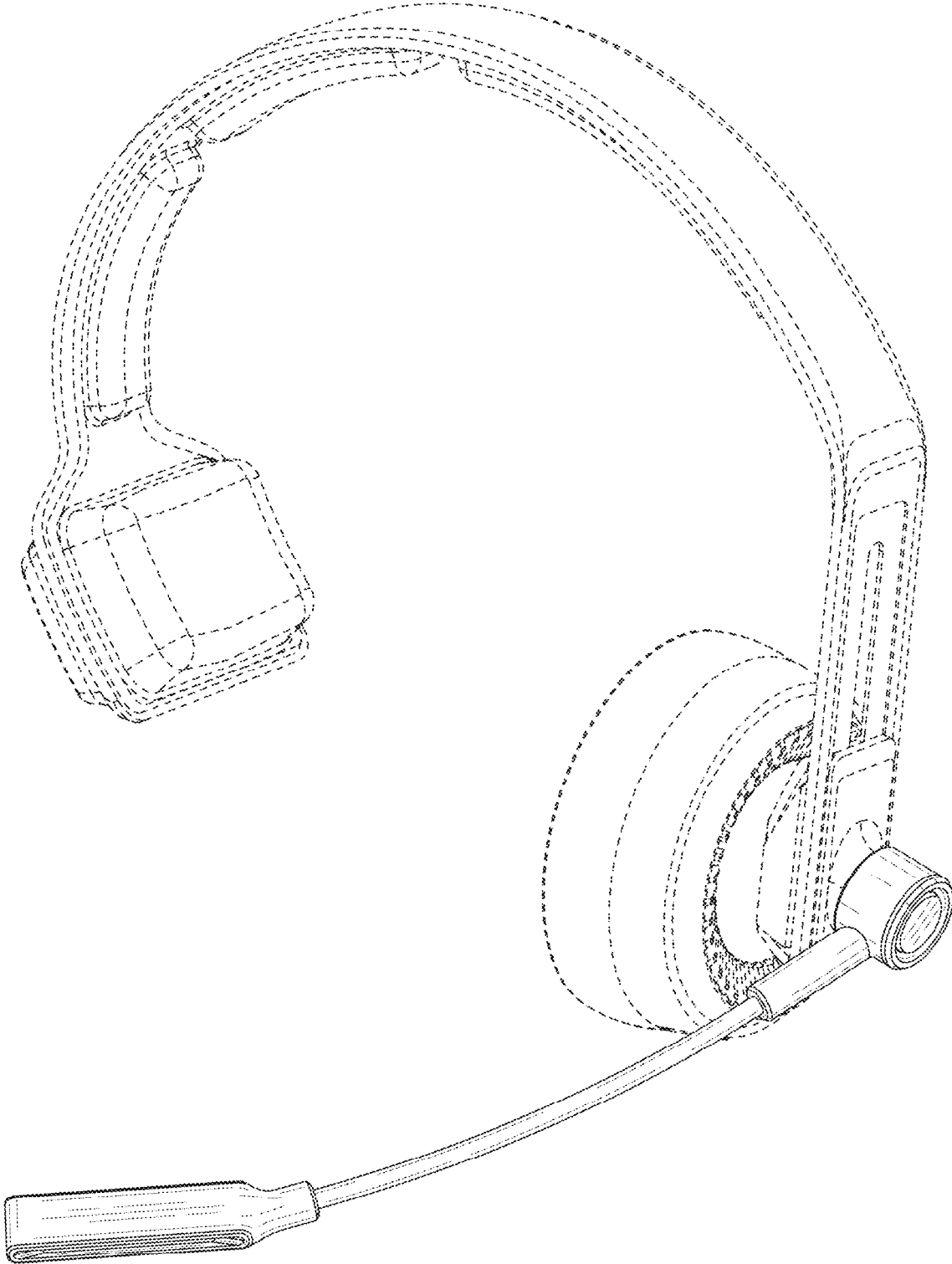


FIG. 1

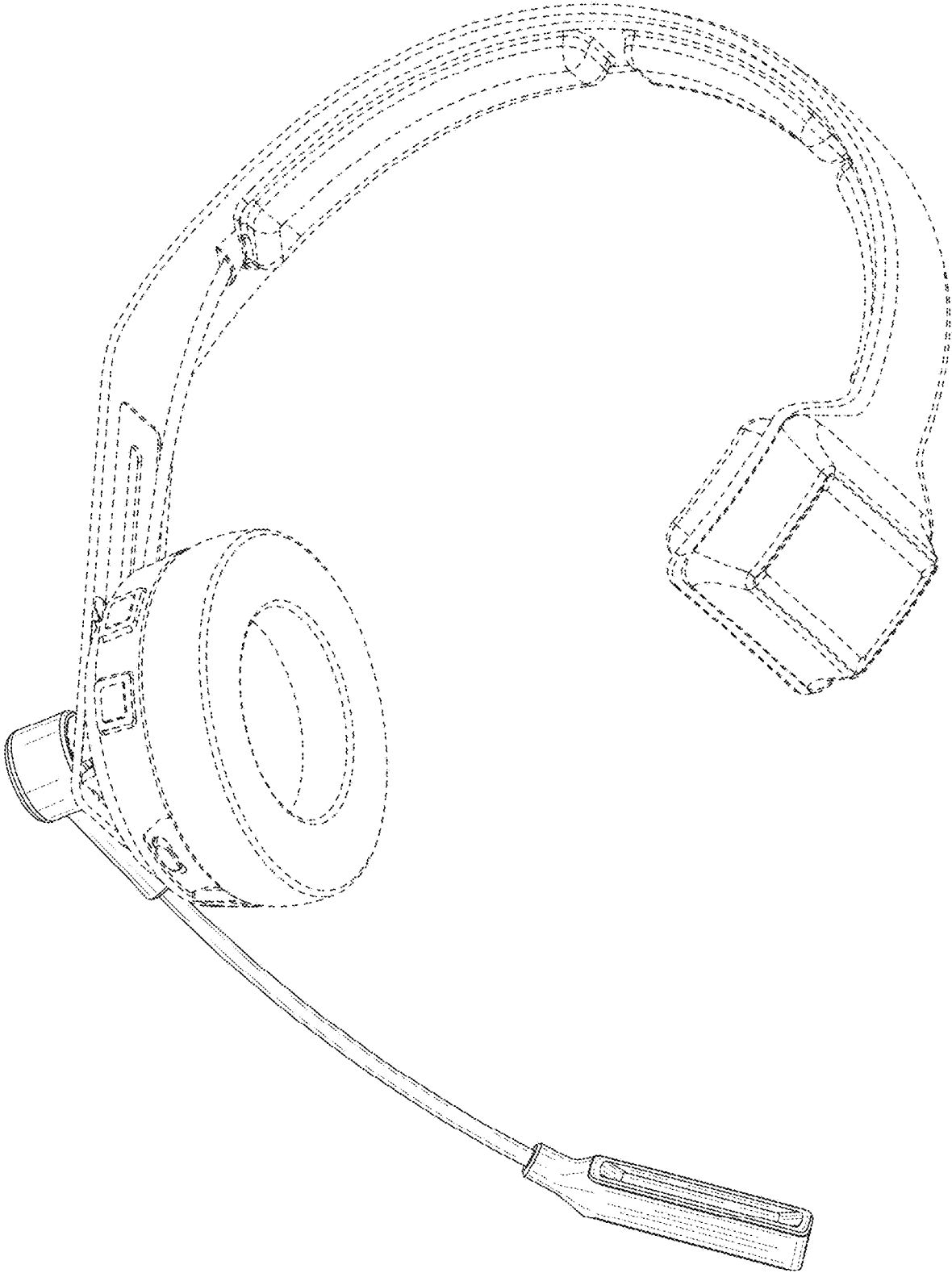


FIG. 2

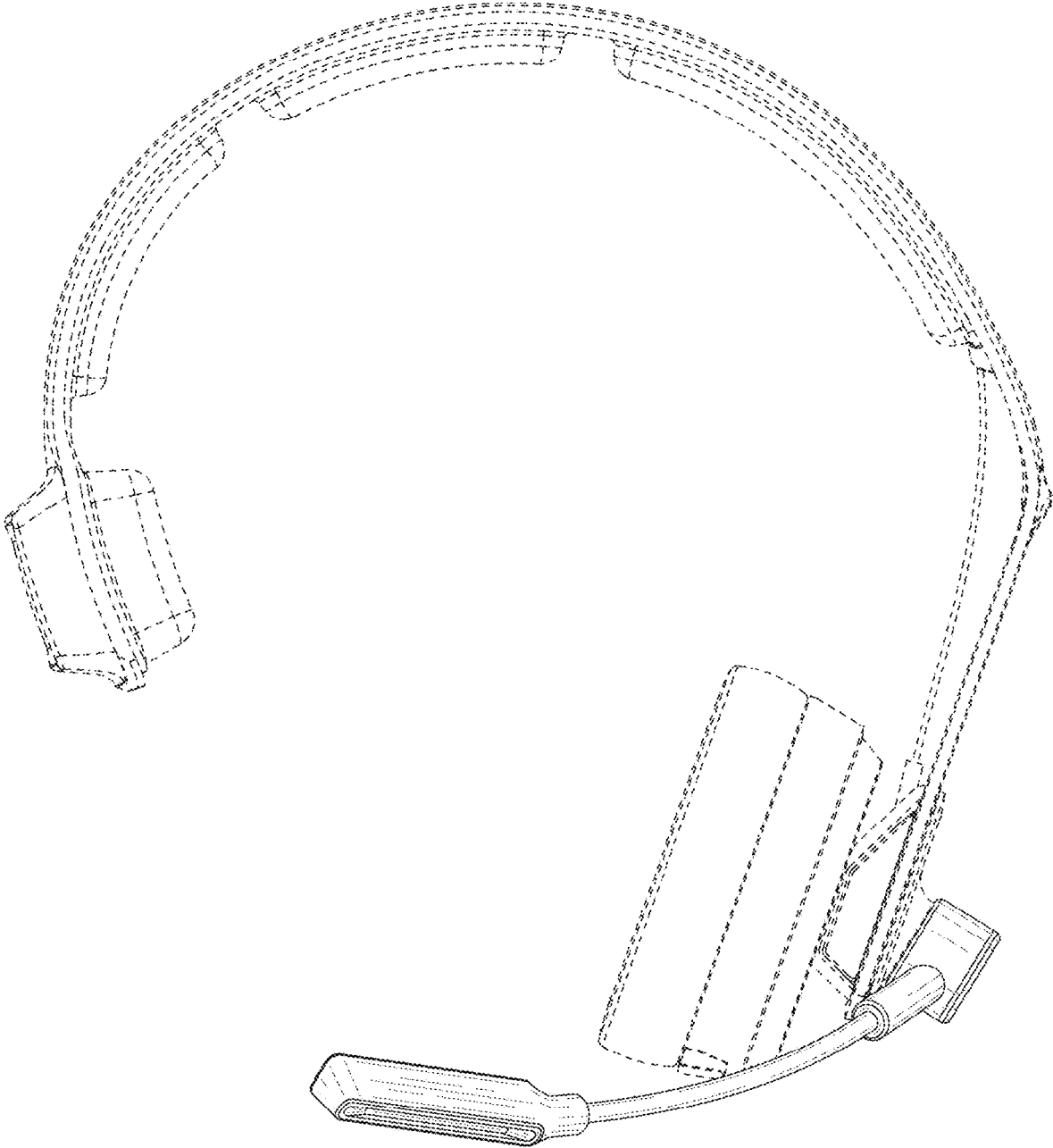


FIG. 3

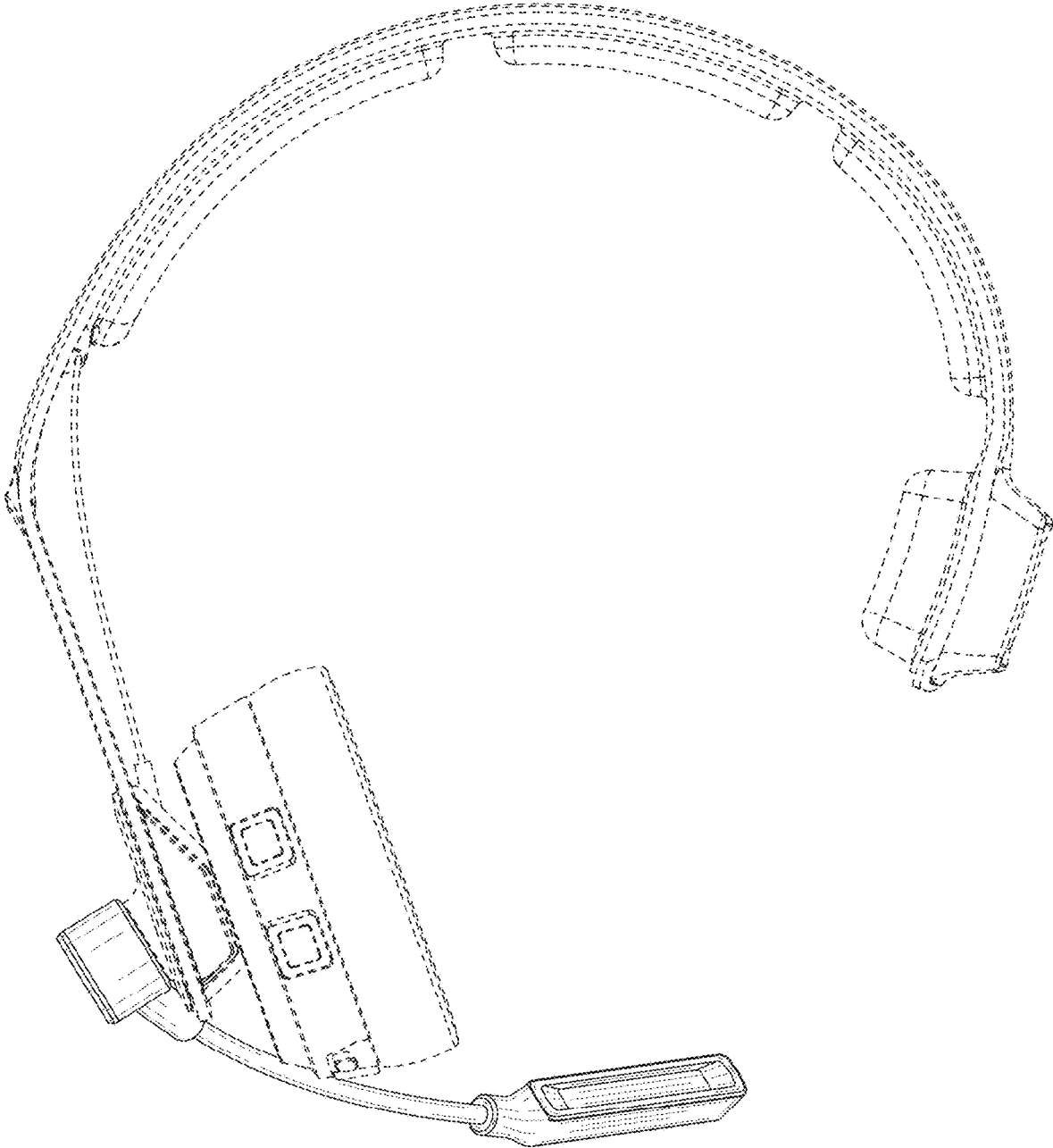


FIG. 4

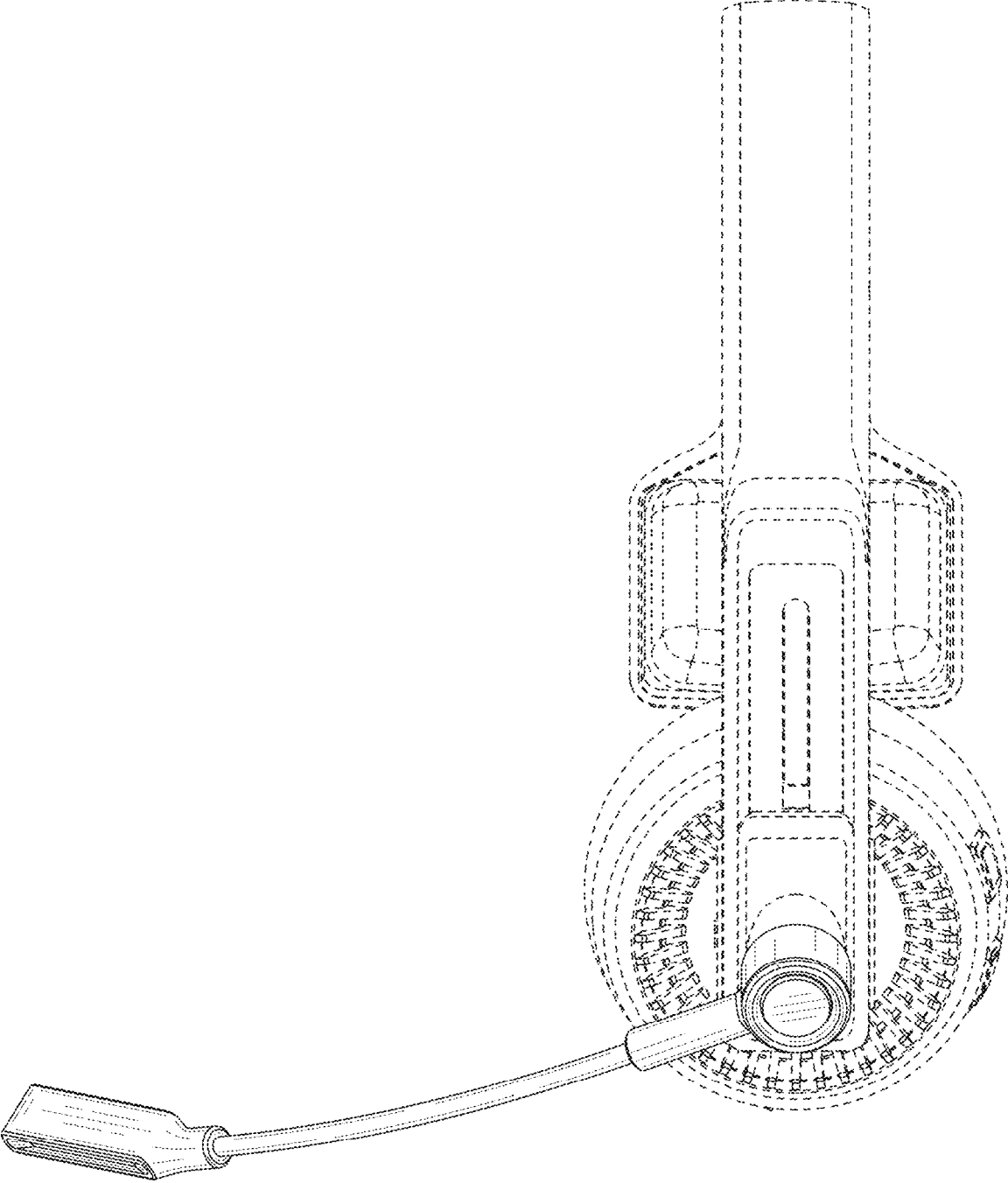


FIG. 5

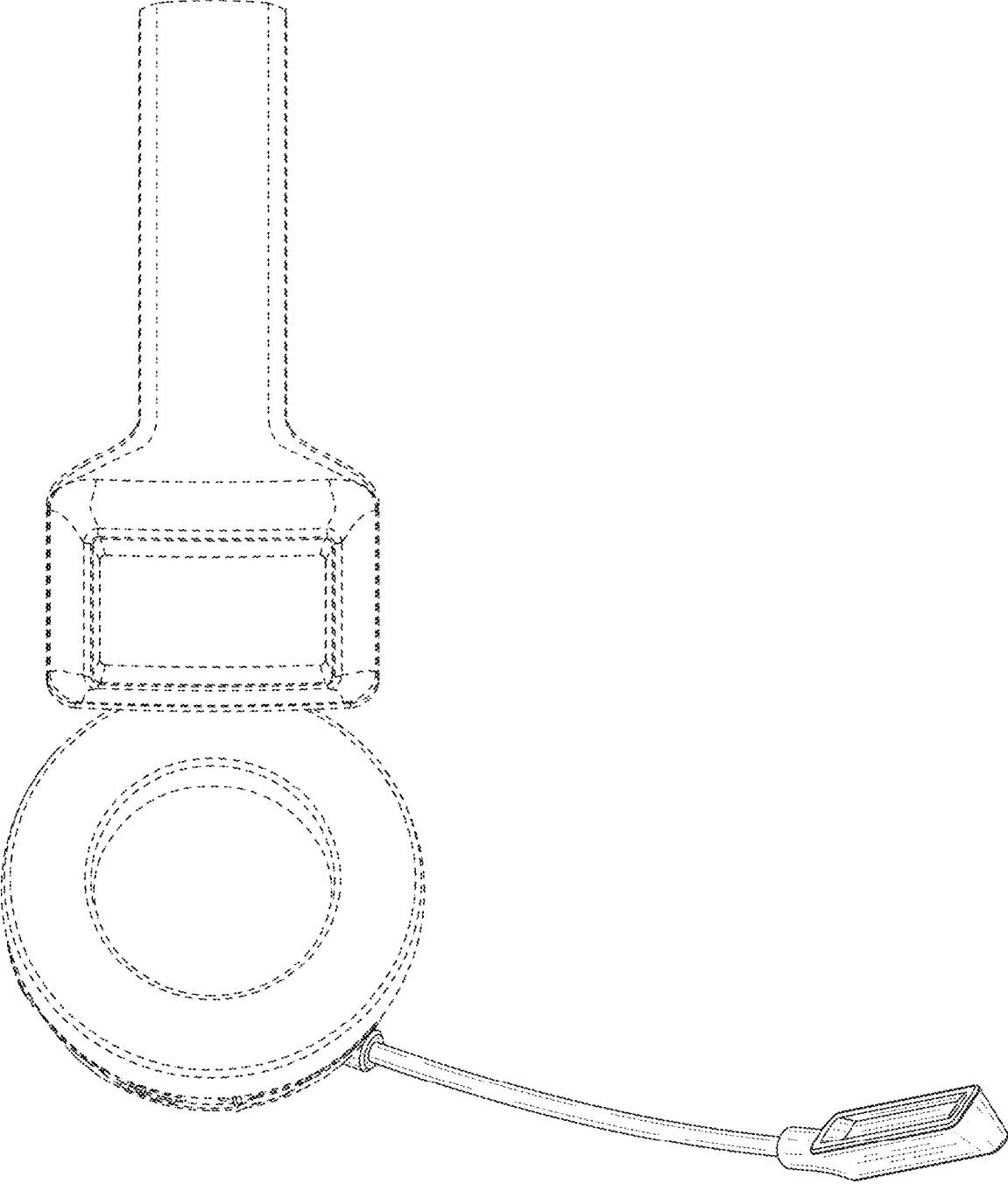


FIG. 6

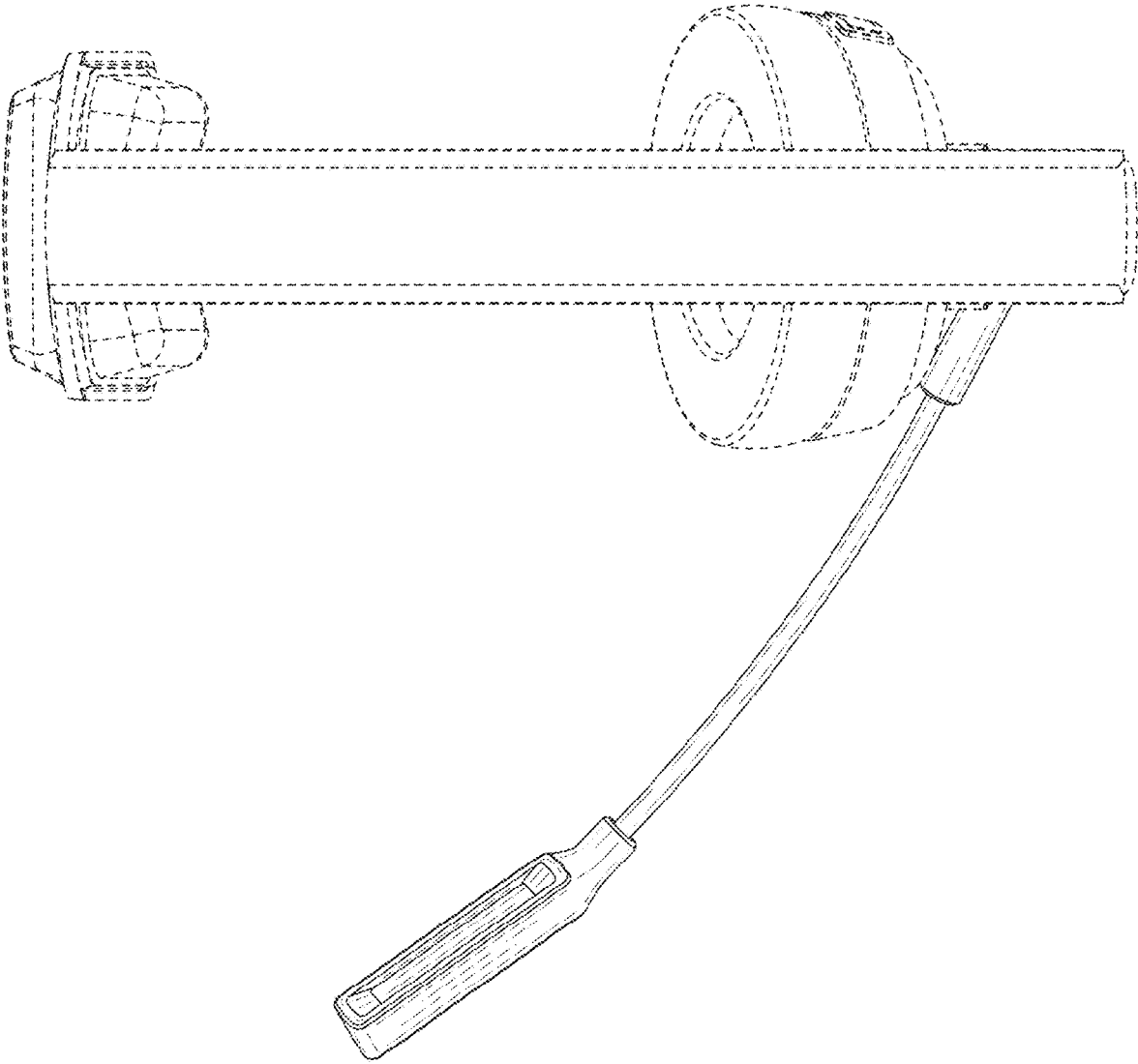


FIG. 7

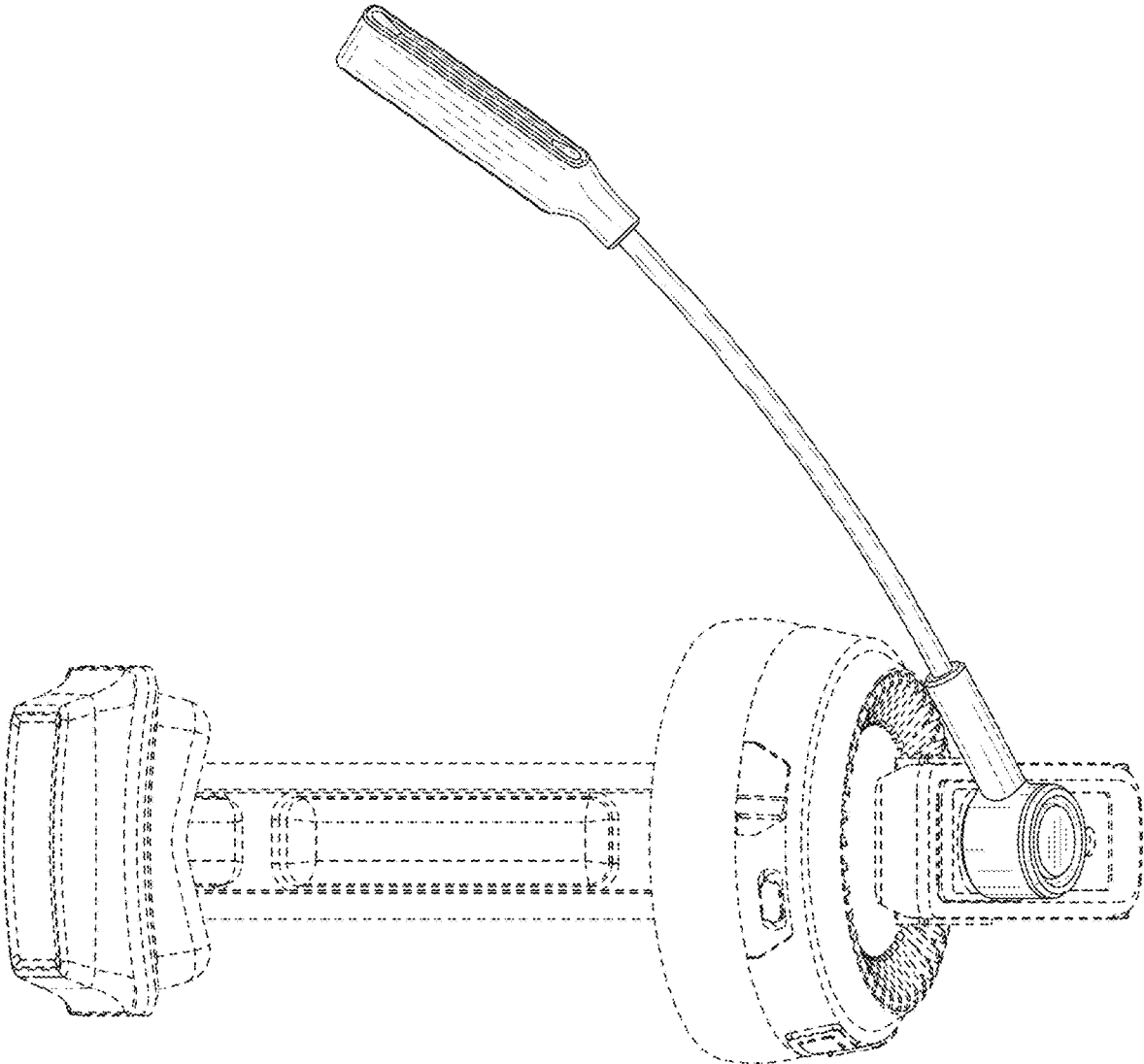


FIG. 8