



US00D949508S

(12) **United States Design Patent**
Sawant et al.

(10) **Patent No.:** **US D949,508 S**
(45) **Date of Patent:** **** Apr. 19, 2022**

(54) **STABLE JACK**
(71) Applicants: **Ashish Sawant**, Palm Beach Gardens, FL (US); **Reji N. Nair**, Los Angeles, CA (US)

2008/0083913 A1* 4/2008 Fang B66F 5/04
254/8 B
2009/0189133 A1* 7/2009 Sharp B66D 3/04
254/384
2012/0032124 A1* 2/2012 Drake B66F 7/28
254/105

(72) Inventors: **Ashish Sawant**, Palm Beach Gardens, FL (US); **Reji N. Nair**, Los Angeles, CA (US)

* cited by examiner

Primary Examiner — Cynthia Ramirez
Assistant Examiner — Tamara L Hahn

(**) Term: **15 Years**

(57) **CLAIM**

(21) Appl. No.: **29/732,740**

The ornamental design for a stable jack, as shown and described.

(22) Filed: **Apr. 27, 2020**

(51) **LOC (13) Cl.** **12-05**

DESCRIPTION

(52) **U.S. Cl.**
USPC **D34/31**

(58) **Field of Classification Search**
USPC D34/1–35
CPC B66F 1/00; B66F 3/24; B66F 3/44; B66F 5/00; B66F 5/02; B66F 5/04
See application file for complete search history.

FIG. 1 is a front-top perspective view of a stable jack showing my new design;
FIG. 2 is a front-bottom perspective view thereof;
FIG. 3 is a rear-top perspective view thereof;
FIG. 4 is a rear-bottom perspective view thereof;
FIG. 5 is a front elevational view thereof;
FIG. 6 is a rear elevational view thereof;
FIG. 7 is a left elevational view thereof;
FIG. 8 is a right elevational view thereof;
FIG. 9 is a top plan view thereof; and,
FIG. 10 is a bottom plan view thereof.

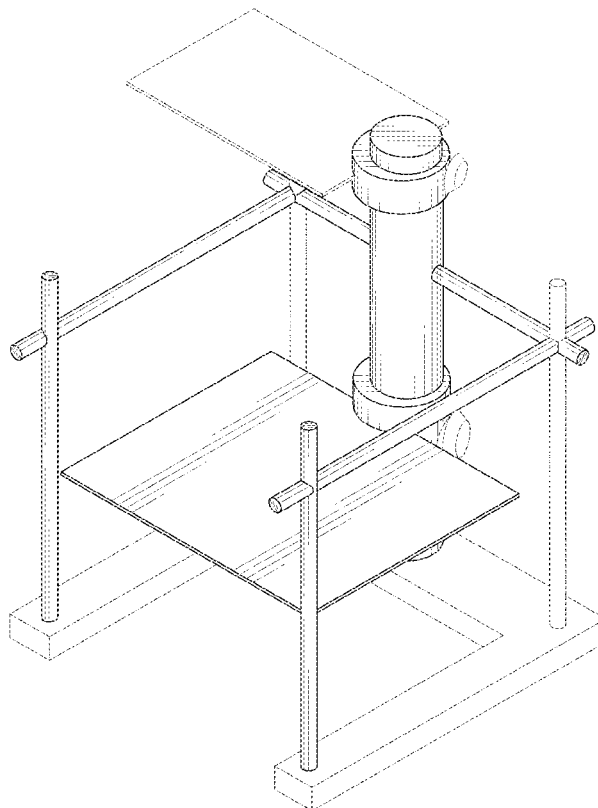
The broken lines in the drawings depict portions of the stable jack that form no part of the claimed design.

(56) **References Cited**

U.S. PATENT DOCUMENTS

D531,377 S *	10/2006	Liu	D34/31
D730,612 S *	5/2015	James	D34/31
D823,569 S *	7/2018	Fox	D34/31
10,087,058 B1 *	10/2018	Carlson	E06C 7/12
D907,879 S *	1/2021	Youngblutt	D34/31

1 Claim, 10 Drawing Sheets



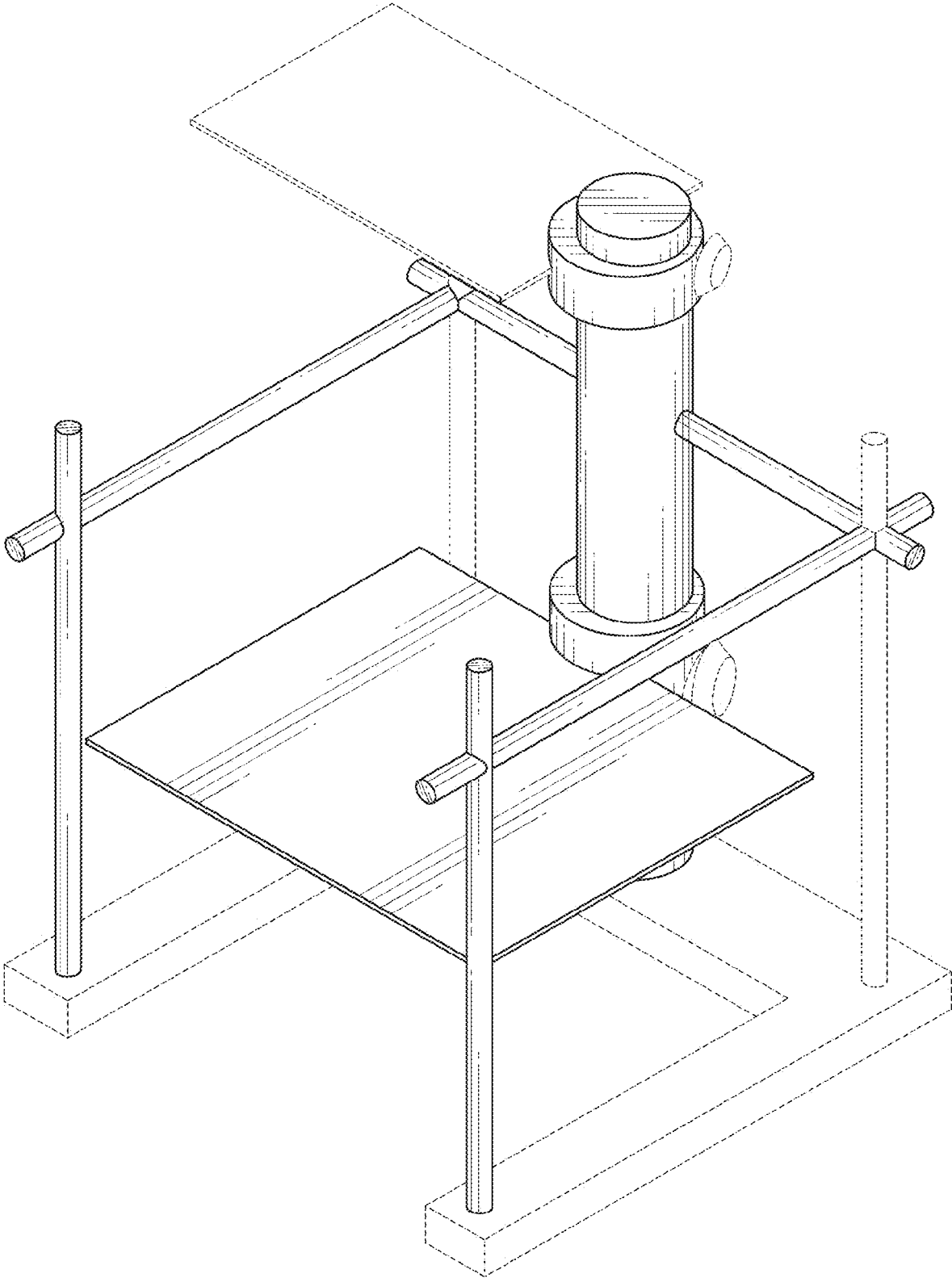


FIG. 1

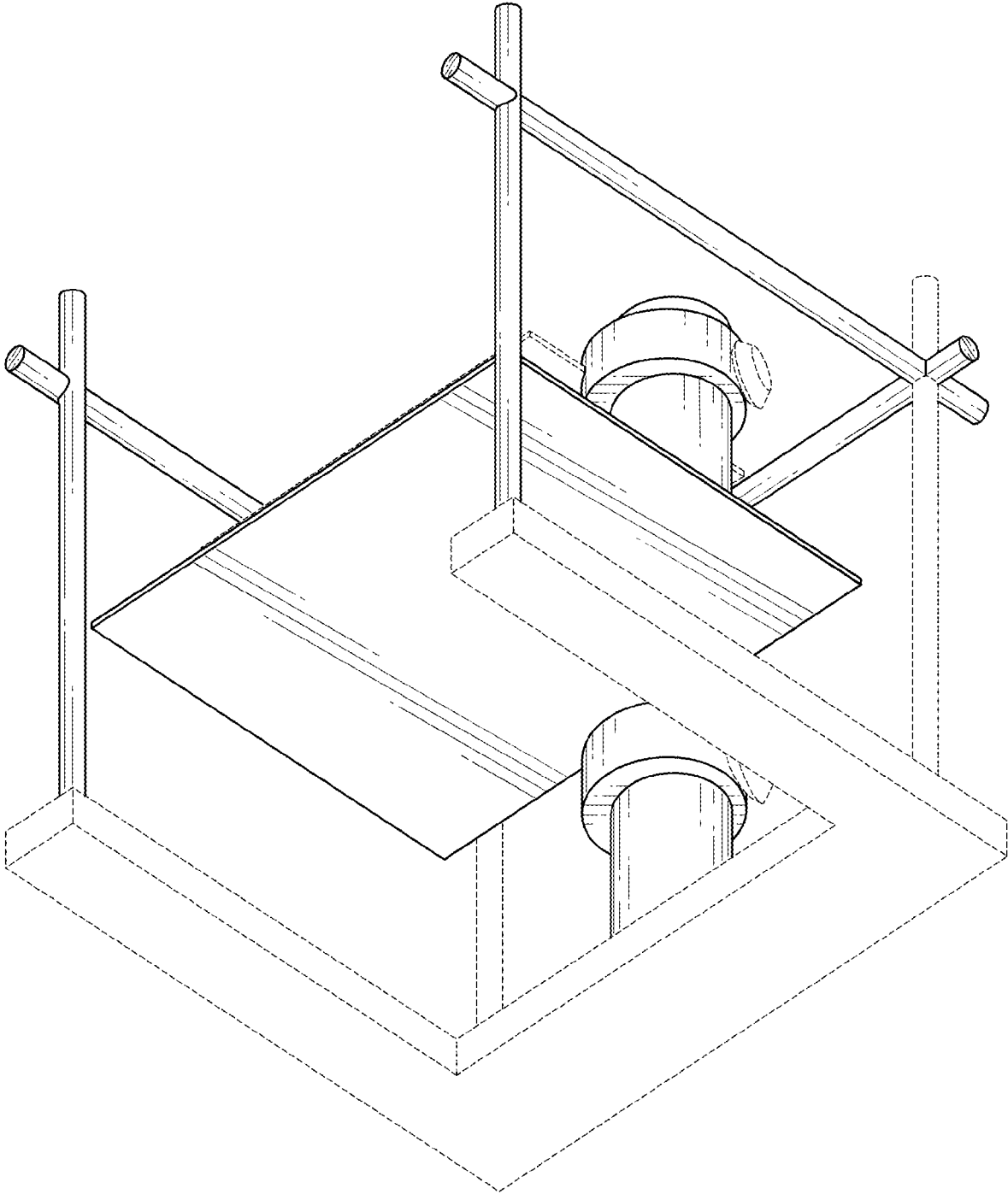


FIG. 2

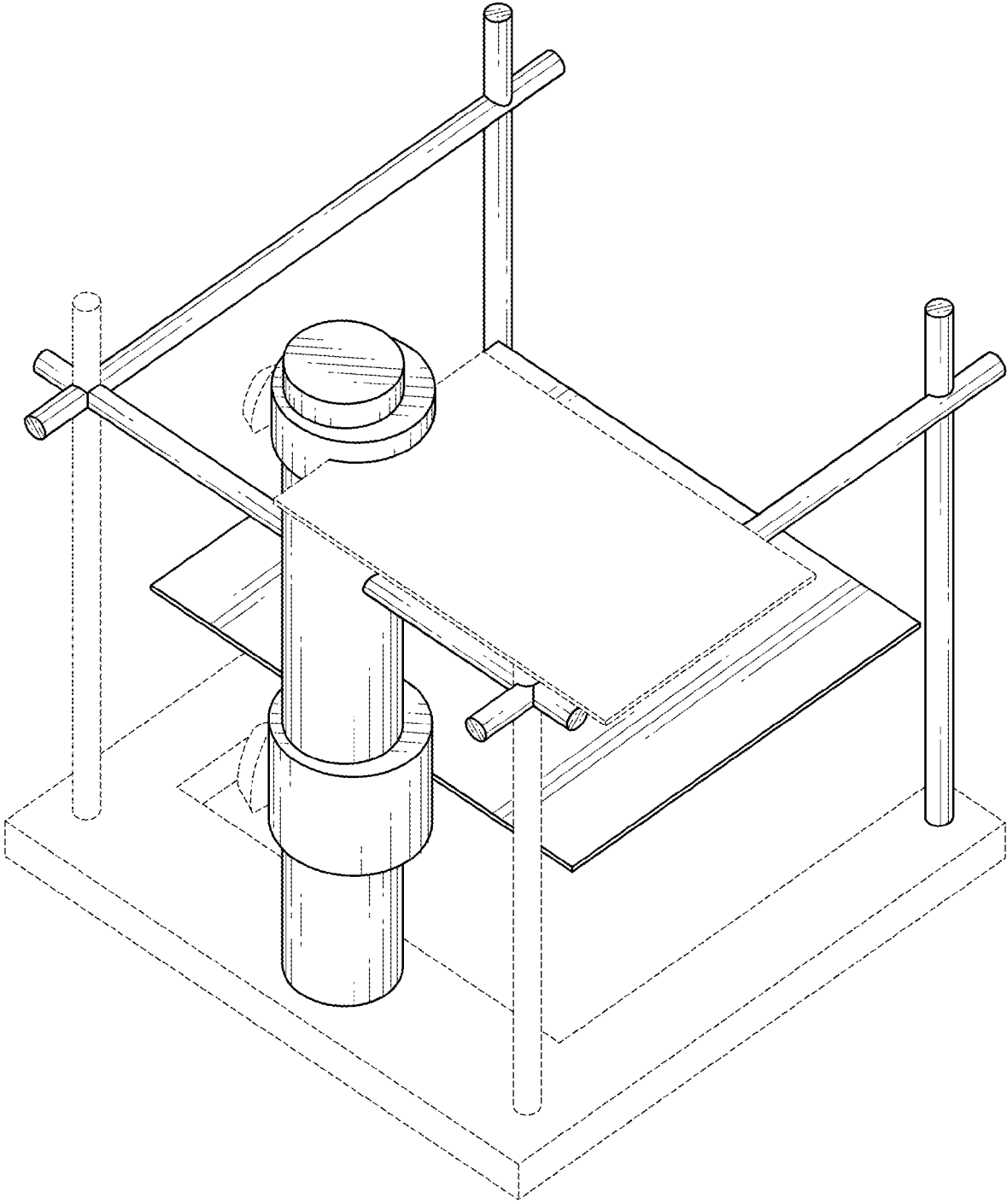


FIG. 3

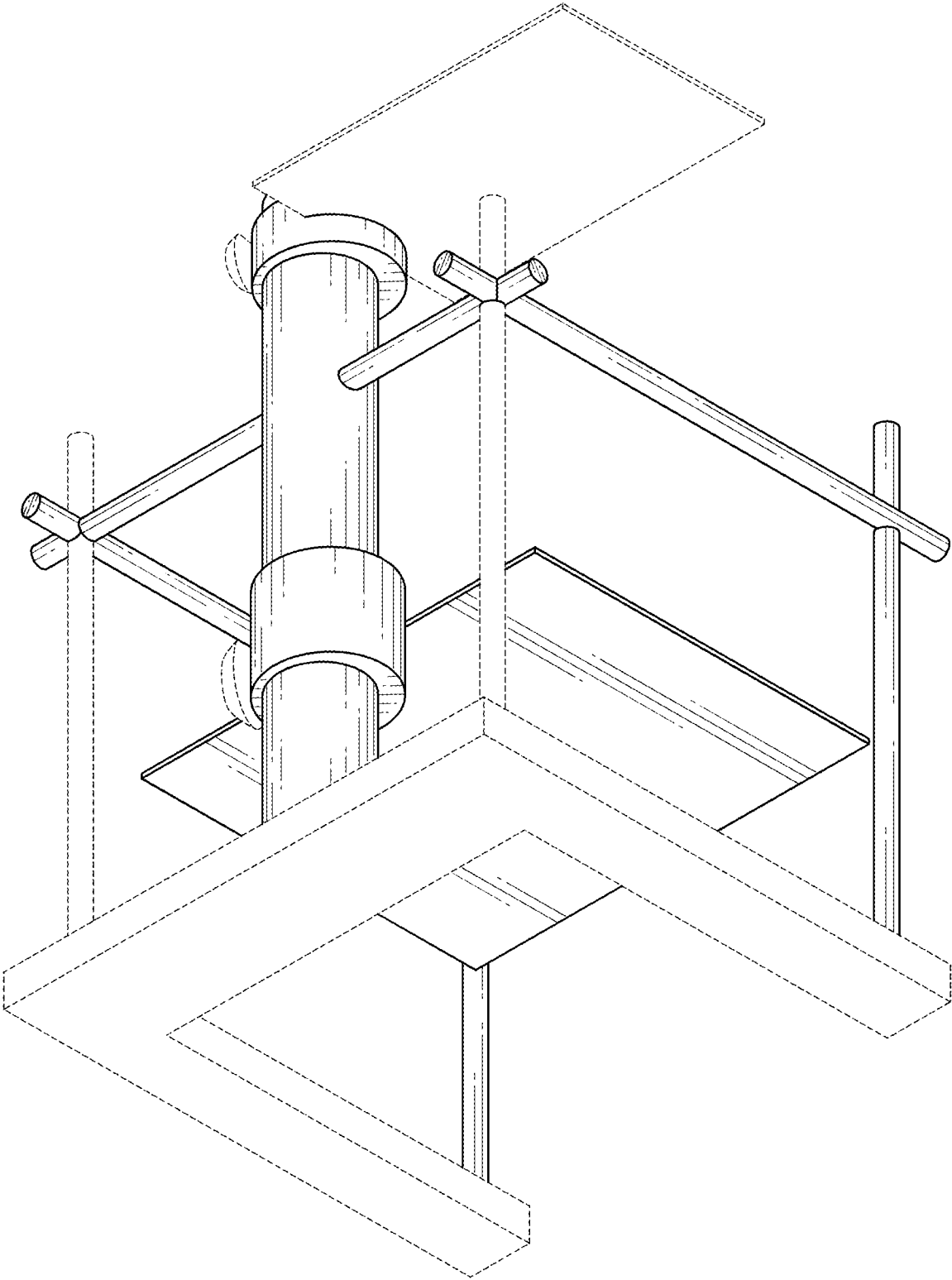


FIG. 4

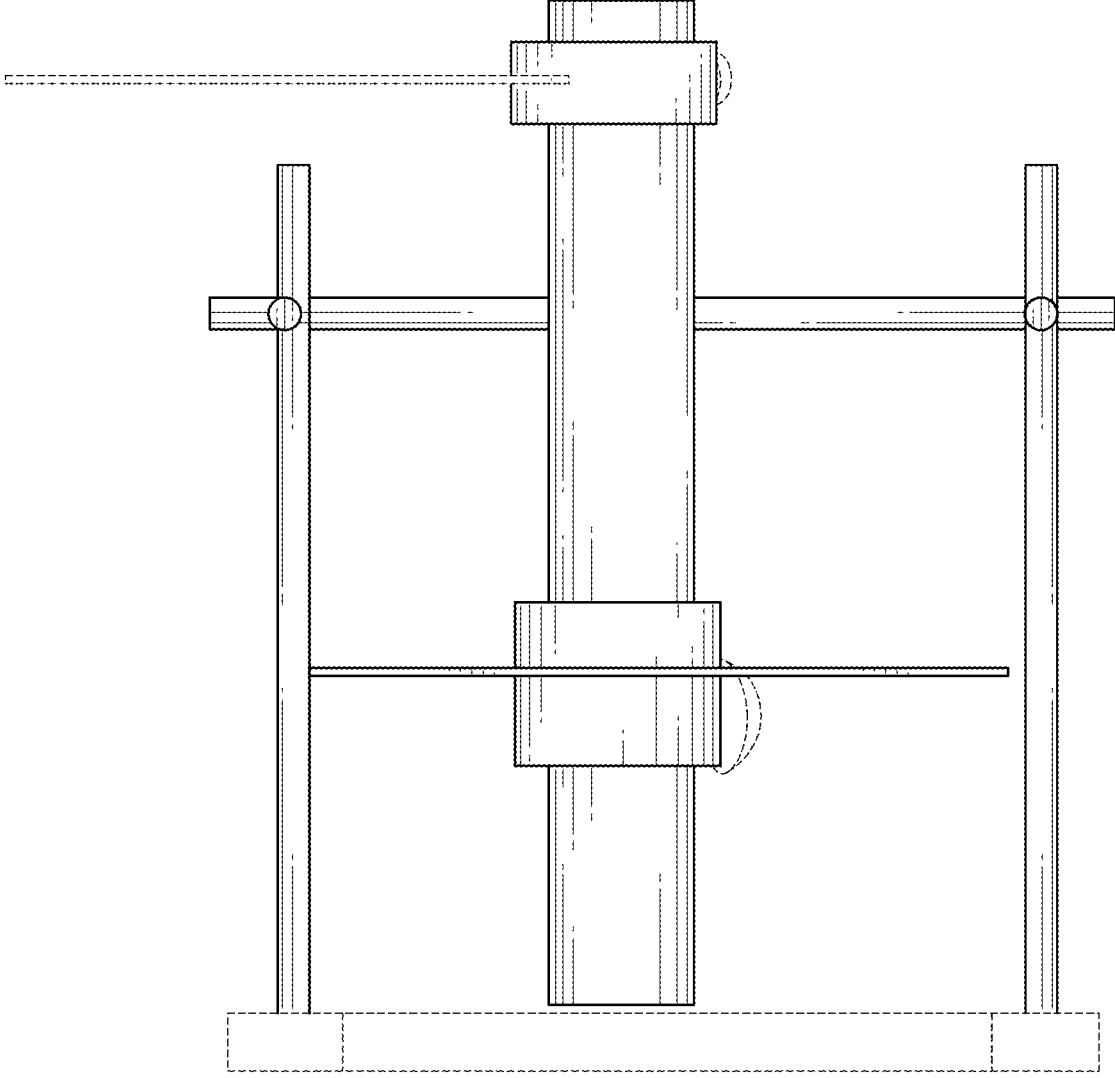


FIG. 5

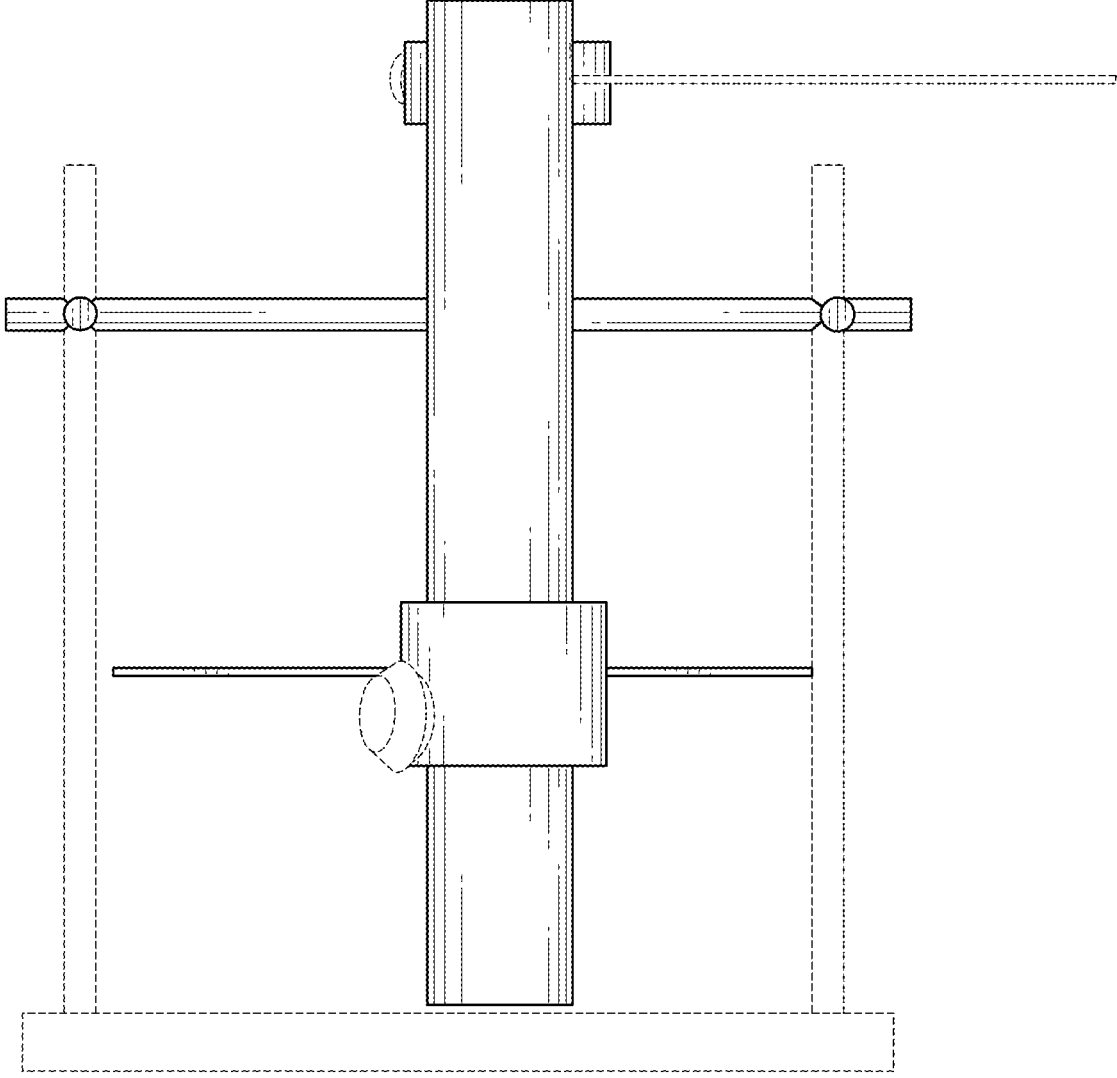


FIG. 6

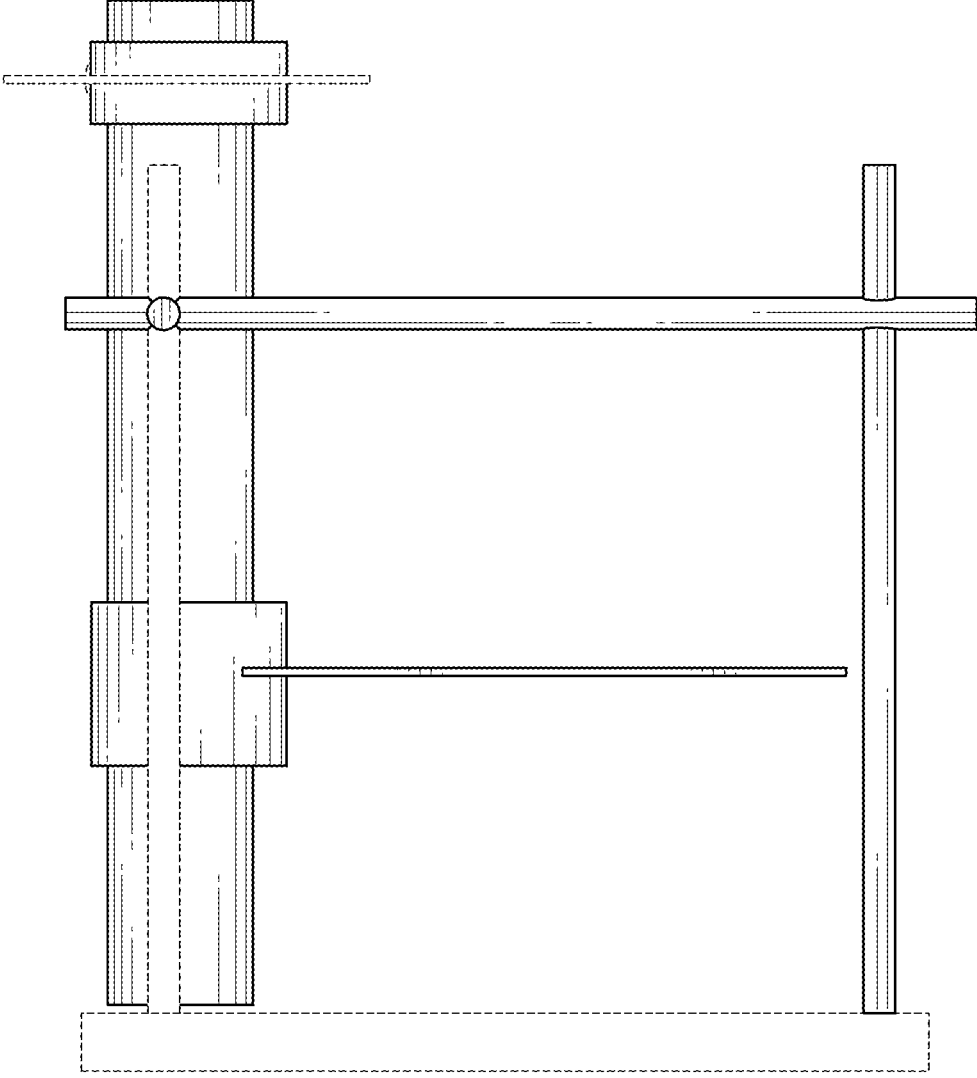


FIG. 7

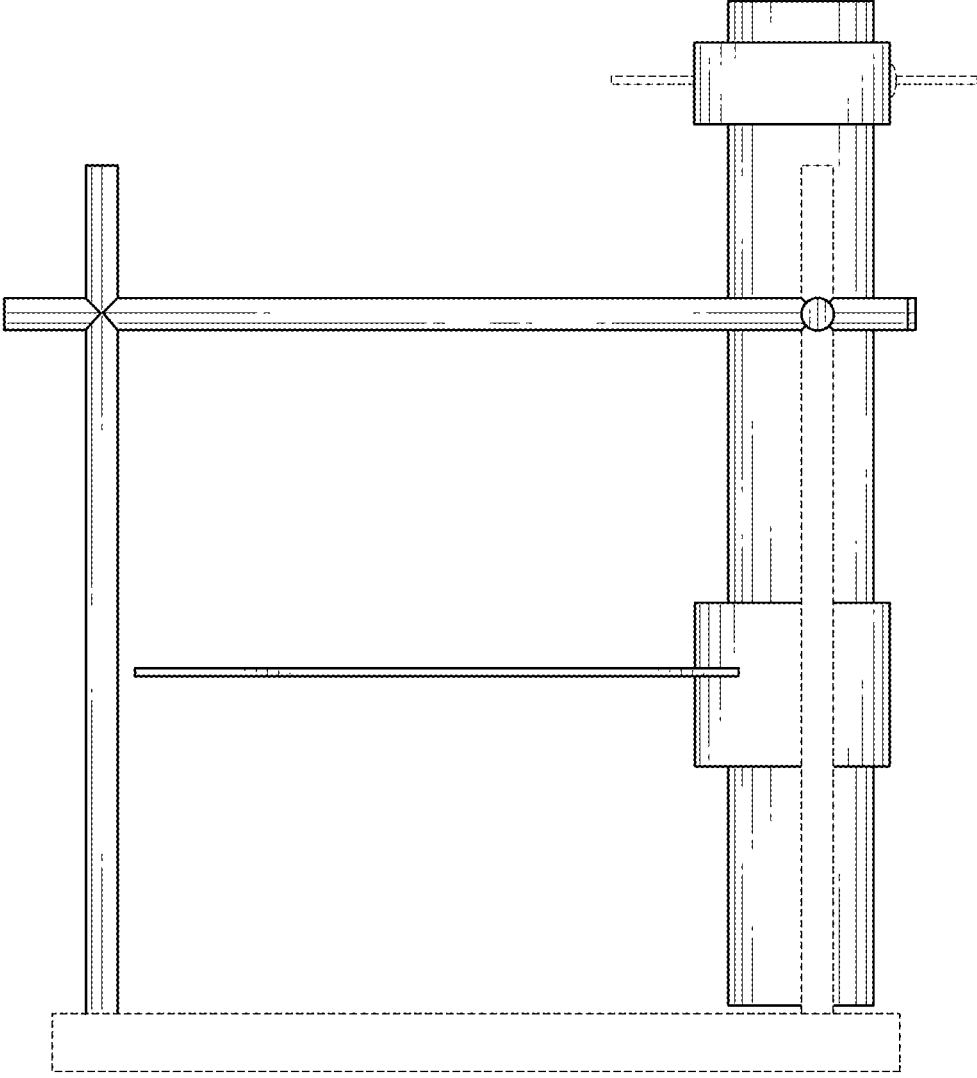


FIG. 8

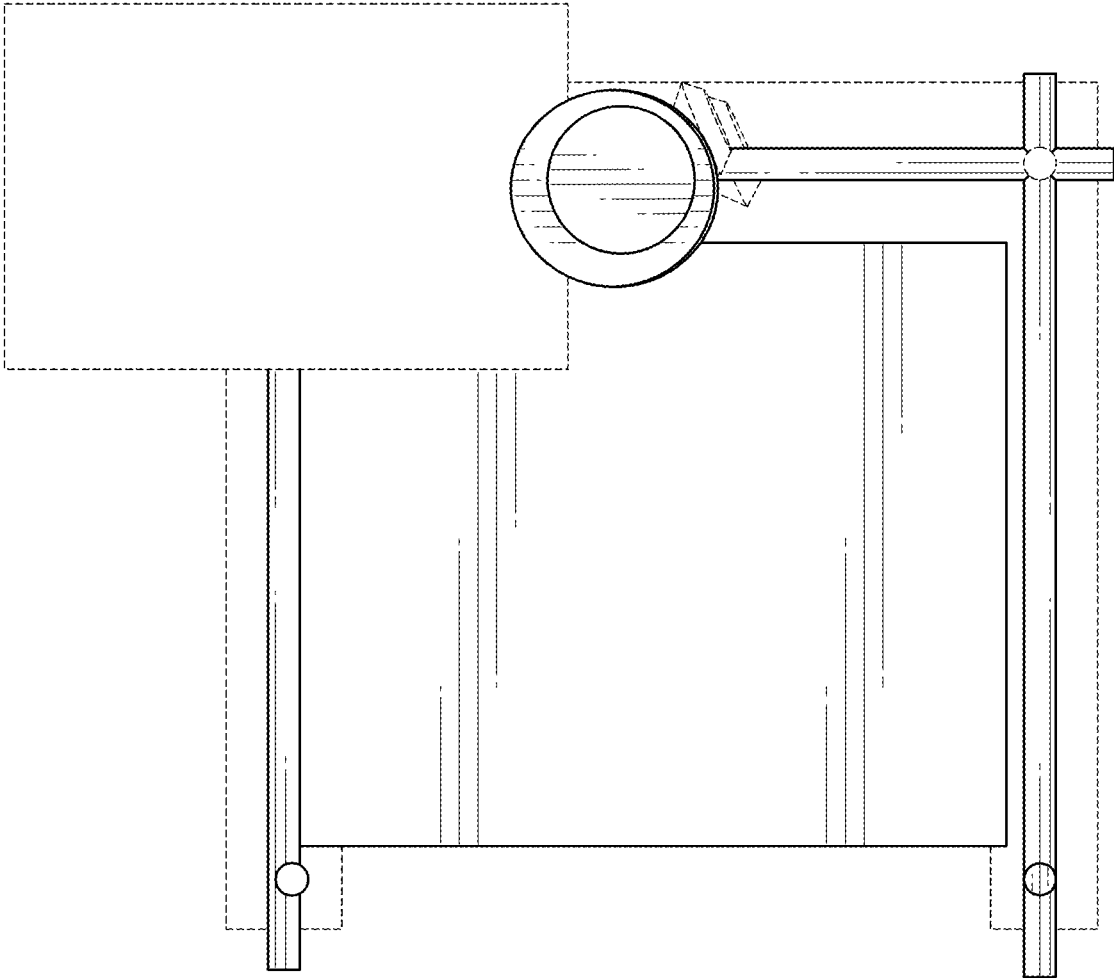


FIG. 9

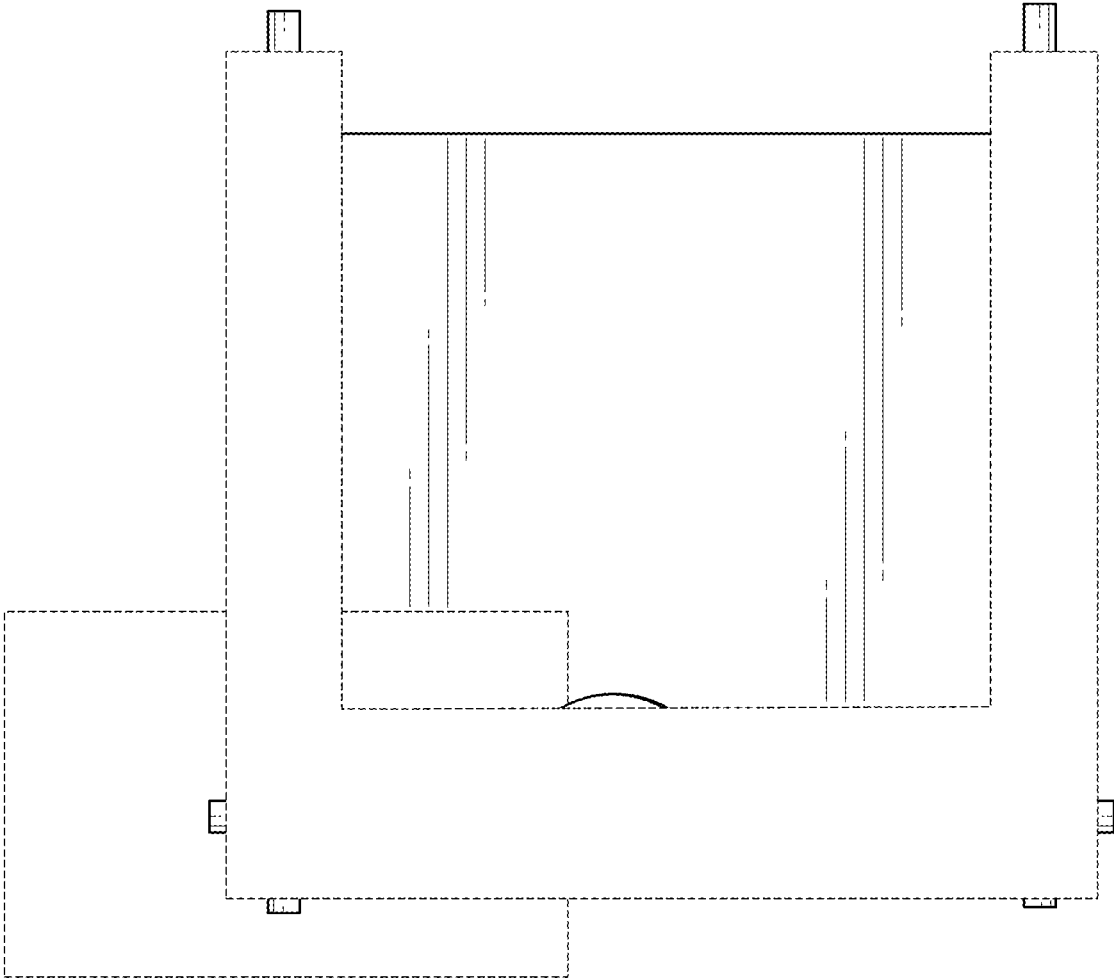


FIG. 10