



US00D916940S

(12) **United States Design Patent**
Wang et al.

(10) **Patent No.:** **US D916,940 S**

(45) **Date of Patent:** **** Apr. 20, 2021**

(54) **ROBOT VEHICLE**

(71) Applicant: **SZ DJI TECHNOLOGY CO., LTD.**,
Shenzhen (CN)

(72) Inventors: **Zhen Wang**, Shenzhen (CN); **Bo Liang**, Shenzhen (CN)

(73) Assignee: **SZ DJI TECHNOLOGY CO., LTD.**,
Shenzhen (CN)

(**) Term: **15 Years**

(21) Appl. No.: **29/684,640**

(22) Filed: **Mar. 22, 2019**

(51) **LOC (13) Cl.** **15-99**

(52) **U.S. Cl.**
USPC **D15/199**

(58) **Field of Classification Search**
USPC D15/199; D21/578-583, 621, 622;
D32/21; D34/34
CPC B25J 5/007; B60B 19/006; B62D 57/024;
H01F 7/0221; Y10S 901/01
See application file for complete search history.

(56) **References Cited**

U.S. PATENT DOCUMENTS

4,137,984	A *	2/1979	Jennings	B62D 1/28 180/168
D309,930	S *	8/1990	Asaeda	D21/548
D317,336	S *	6/1991	Tsuchiya	D21/550
5,727,985	A *	3/1998	George	A63H 17/004 446/437
D593,616	S *	6/2009	Asai	D21/562
9,375,648	B2 *	6/2016	Hippely	A63H 33/003
D762,269	S *	7/2016	Lee	D21/548

D792,524	S *	7/2017	Lee	D21/533
D822,124	S *	7/2018	Bei	D21/533
10,399,616	B2 *	9/2019	Ellerman	A63H 33/26
2007/0259599	A1 *	11/2007	Swisher	A63H 17/02 446/427
2008/0184840	A1 *	8/2008	Novoplanski	B25J 11/0025 74/490.01
2012/0322341	A1 *	12/2012	Benedict	A63H 17/40 446/437
2014/0031977	A1 *	1/2014	Goldenberg	B25J 5/005 700/245
2015/0224640	A1 *	8/2015	Vu	B25J 19/023 700/259

* cited by examiner

Primary Examiner — Patricia A Palasik

(74) *Attorney, Agent, or Firm* — Anova Law Group, PLLC

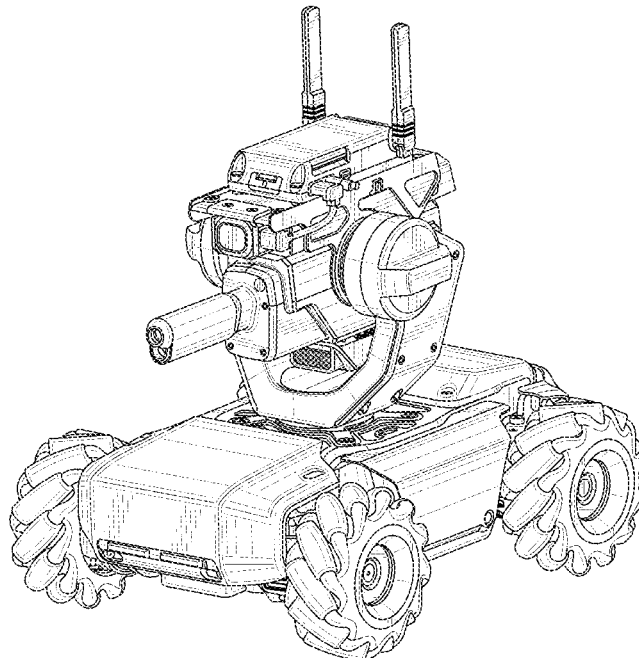
(57) **CLAIM**

The ornamental design for a robot vehicle, as shown and described.

DESCRIPTION

FIG. 1 is a perspective view of a robot vehicle in accordance with the present disclosure;
FIG. 2 is a front view of the robot vehicle shown in FIG. 1;
FIG. 3 is a back view of the robot vehicle shown in FIG. 1;
FIG. 4 is a right view of the robot vehicle shown in FIG. 1;
FIG. 5 is a left view of the robot vehicle shown in FIG. 1;
FIG. 6 is a top view of the robot vehicle shown in FIG. 1; and,
FIG. 7 is a bottom view of the robot vehicle shown in FIG. 1.
The broken lines in the figures show portions of the robot vehicle that form no part of the claimed design.

1 Claim, 7 Drawing Sheets



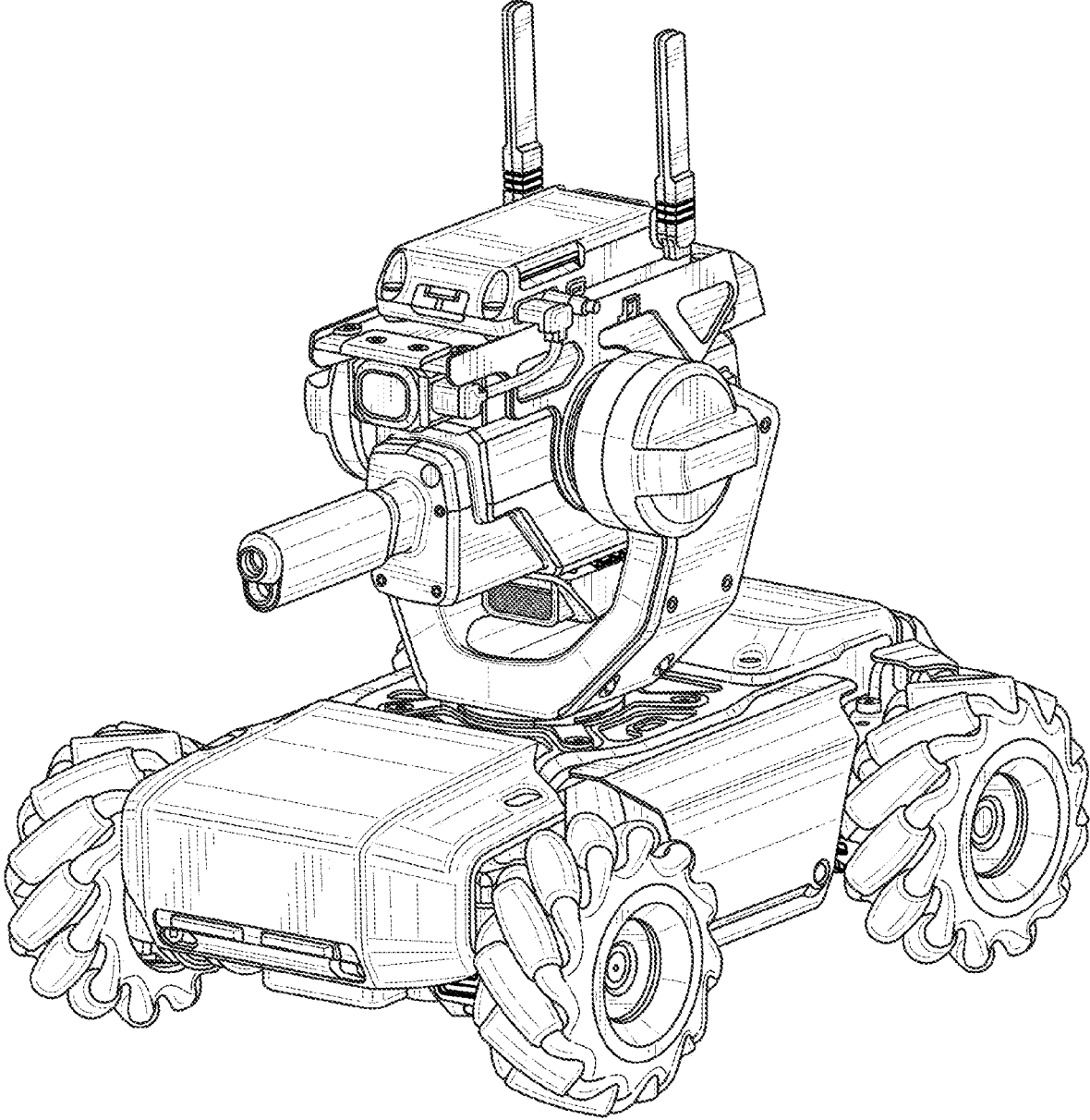


FIG. 1

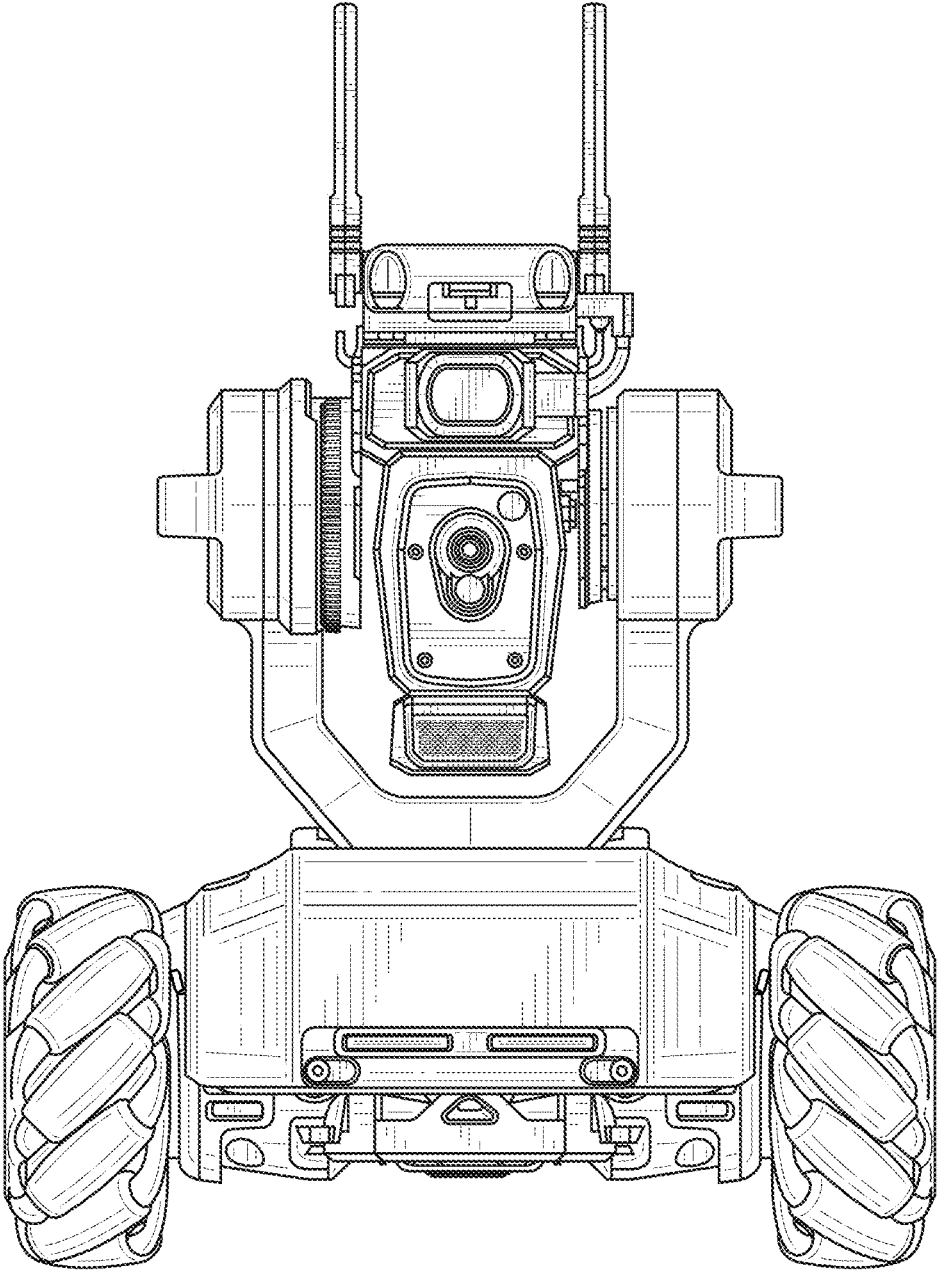


FIG. 2

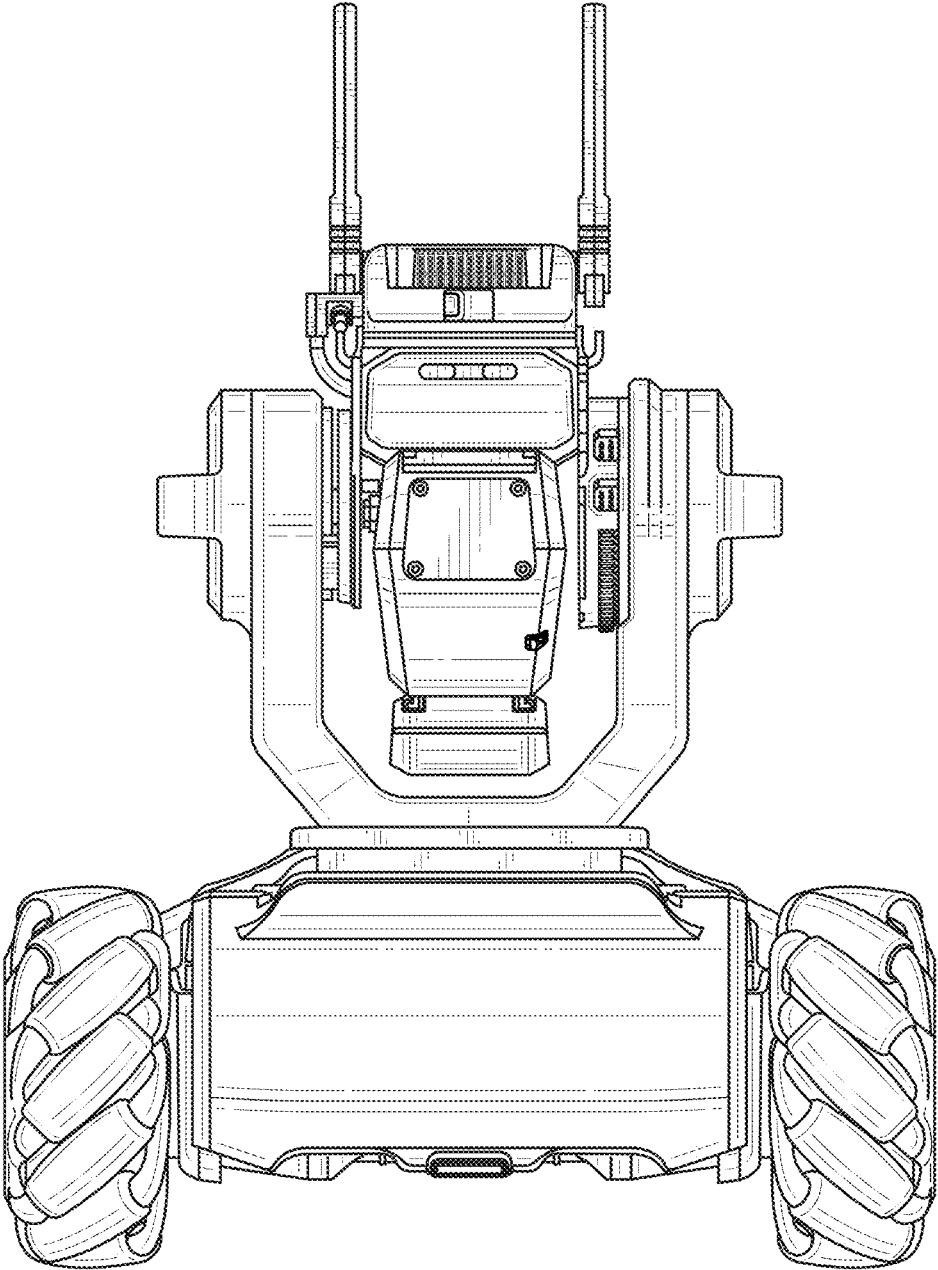


FIG. 3

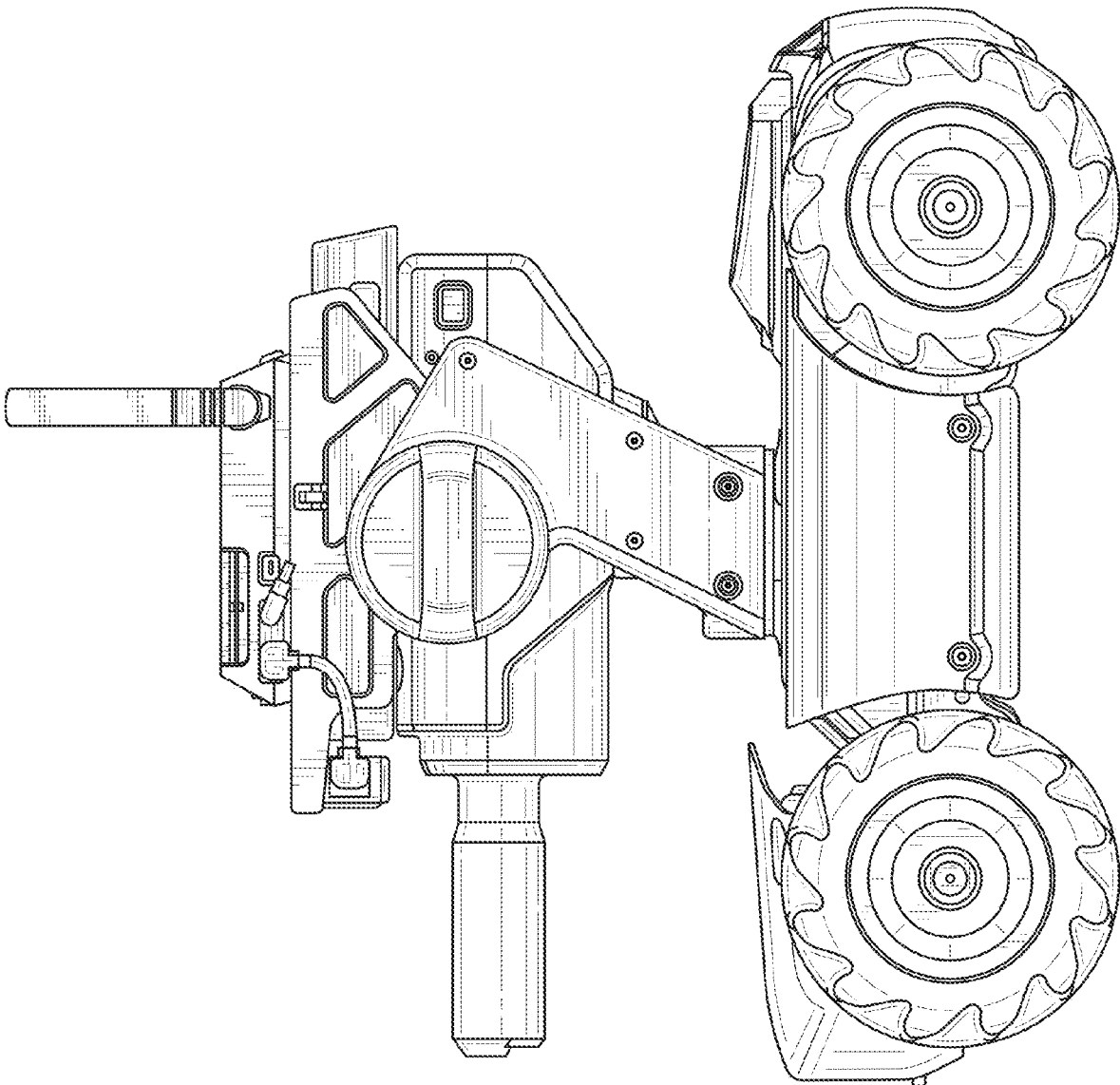


FIG. 4

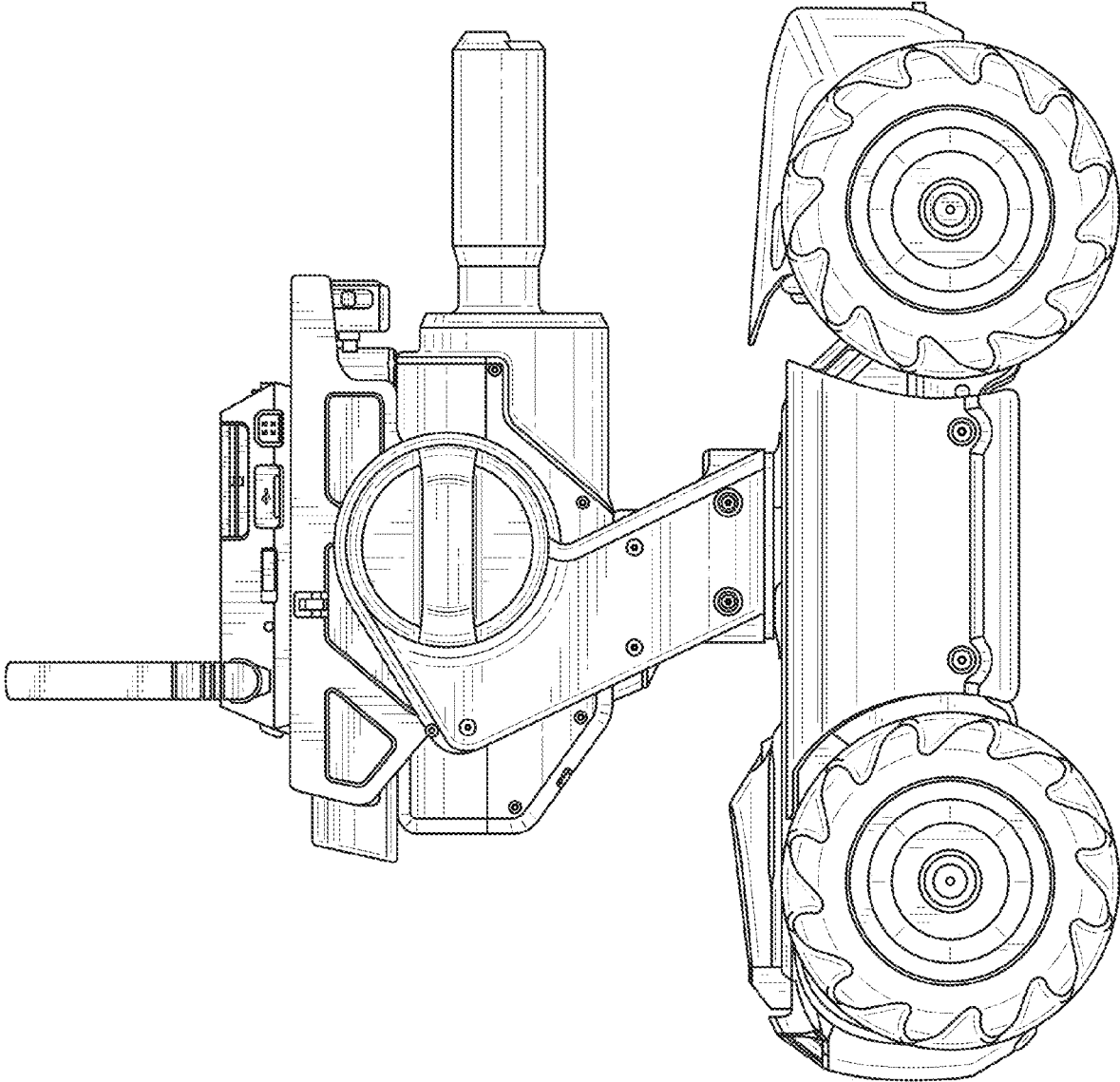


FIG. 5

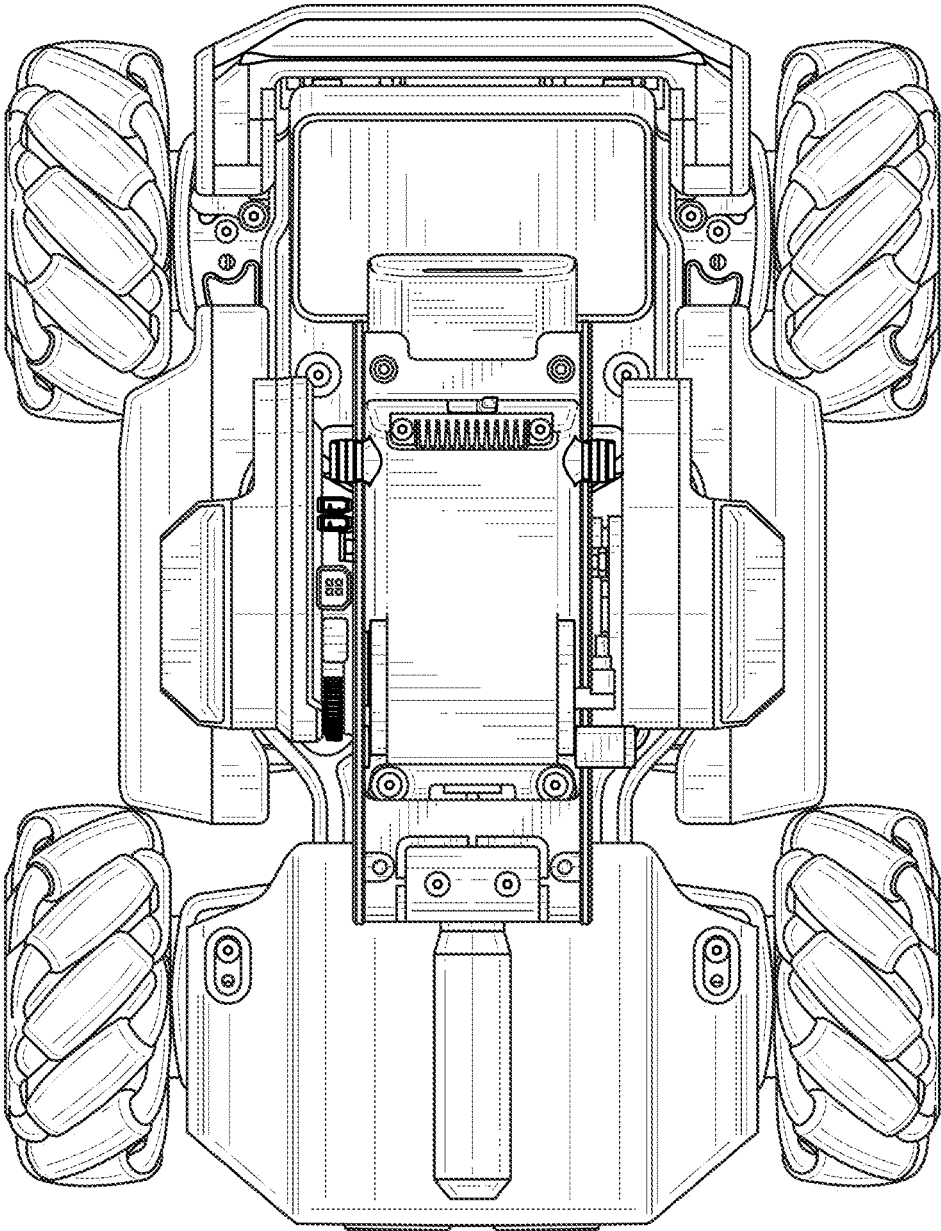


FIG. 6

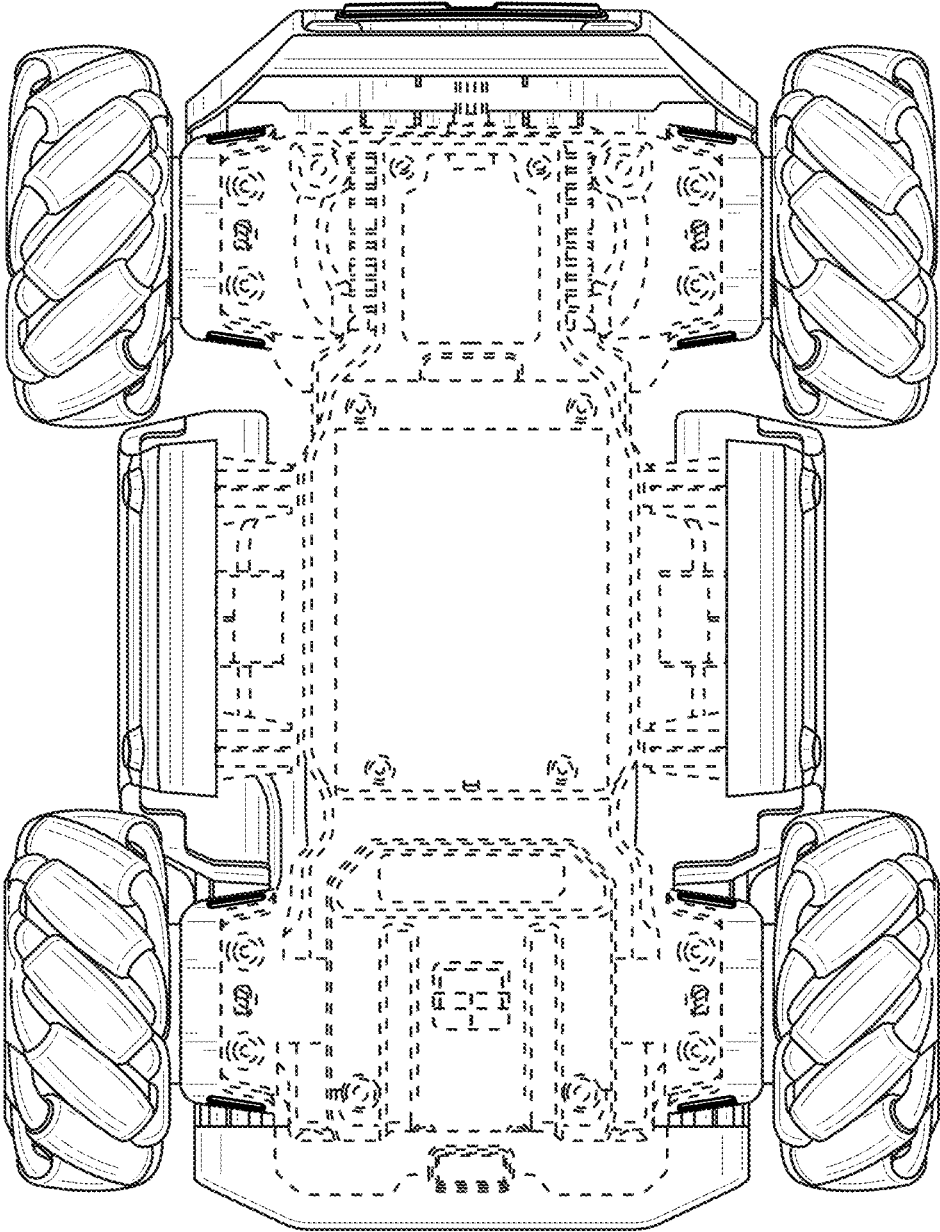


FIG. 7