



US00D454479S

(12) **United States Design Patent**  
**Kolpin**

(10) **Patent No.:** **US D454,479 S**

(45) **Date of Patent:** **\*\* Mar. 19, 2002**

(54) **TOOL PRESS BRACKET**

(76) **Inventor:** **Ronald N. Kolpin**, 9380 Ladwig La.,  
Berlin, WI (US) 54923

(\*\*) **Term:** **14 Years**

(21) **Appl. No.:** **29/132,668**

(22) **Filed:** **Nov. 13, 2000**

(51) **LOC (7) Cl.** ..... **08-05**

(52) **U.S. Cl.** ..... **D8/349; D8/355; D8/72**

(58) **Field of Search** ..... **D8/349, 71, 72,**  
**D8/73, 74, 354, 355, 356, 359, 366, 394;**  
**269/43, 113, 114, 95, 181, 240, 247-253,**  
**102, 266, 221, 289, 243, 160, 90; 83/581,**  
**471.1, 863, 473; 248/229.1, 214, 316.4,**  
**316.5, 230.4; D15/140**

(56) **References Cited**

**U.S. PATENT DOCUMENTS**

4,456,043 A	6/1984	Stocks
D277,932 S	3/1985	Baptiste
4,552,345 A	11/1985	Benda et al.
D318,409 S	7/1991	Garrett
5,117,722 A	6/1992	Letendre

5,193,428 A	3/1993	Letendre	
5,245,795 A *	9/1993	Poche et al. ....	269/248
5,335,898 A	8/1994	Johnson	
5,492,294 A *	2/1996	Haeussler .....	248/229
5,535,973 A *	7/1996	Bailey et al. ....	248/229
5,896,760 A *	4/1999	Osburn .....	269/221
D430,783 S	9/2000	Cummings	

\* cited by examiner

*Primary Examiner*—Pamela Burgess

(74) *Attorney, Agent, or Firm*—Rider, Bennett, Egan & Arundel

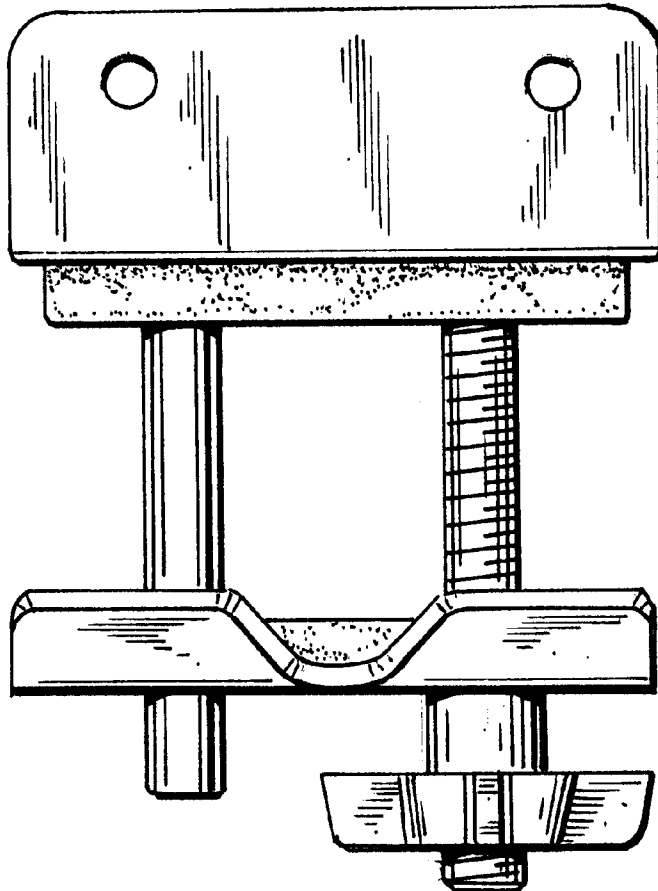
(57) **CLAIM**

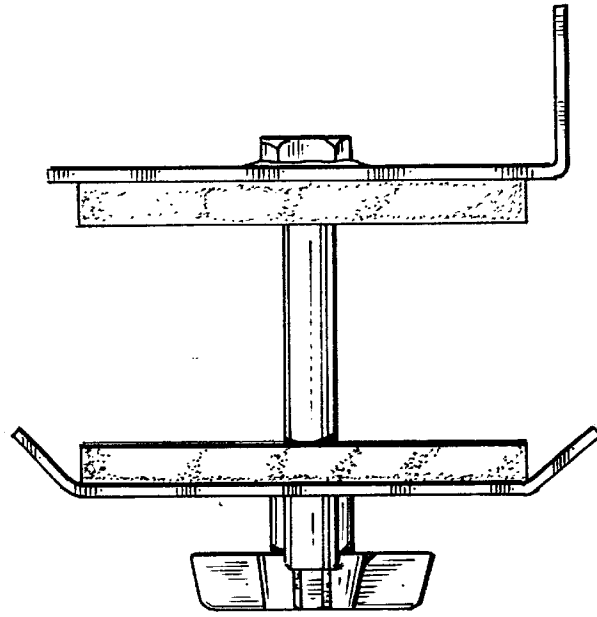
The ornamental design for a tool press bracket, as shown and described.

**DESCRIPTION**

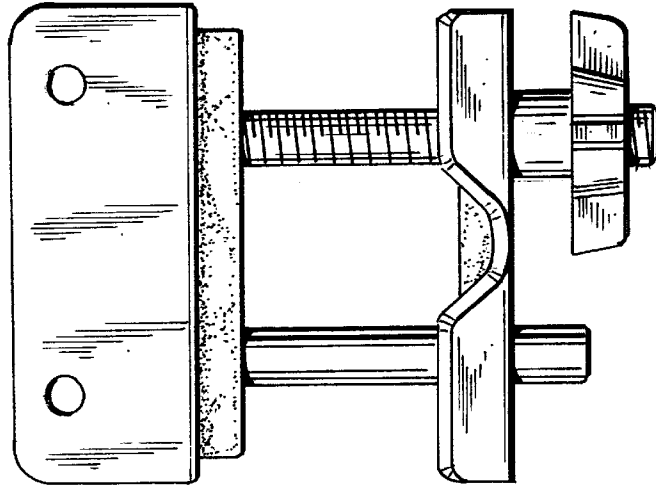
FIG. 1 is a front elevational view of a tool press bracket showing my new design;  
FIG. 2 is a top plan view;  
FIG. 3 is a left side elevational view;  
FIG. 4 is a rear elevational view;  
FIG. 5 is a bottom plan view; and,  
FIG. 6 is a right side elevational view.

**1 Claim, 2 Drawing Sheets**

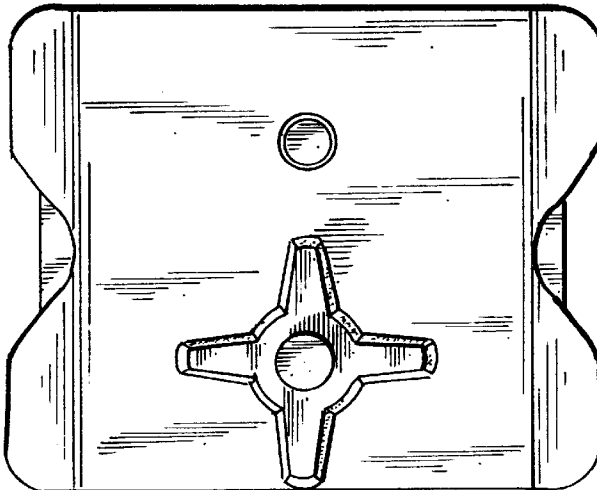




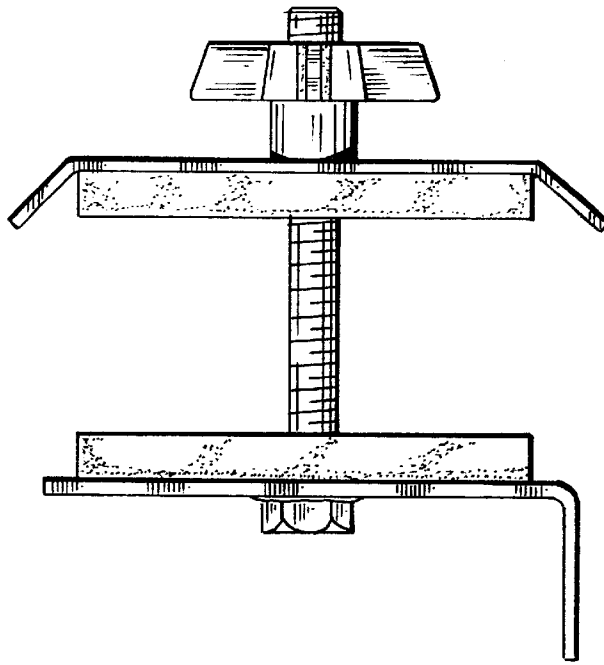
*Fig. 3.*



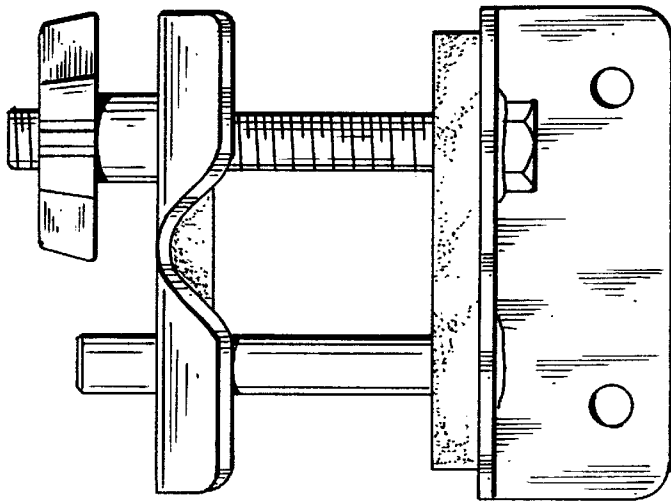
*Fig. 2.*



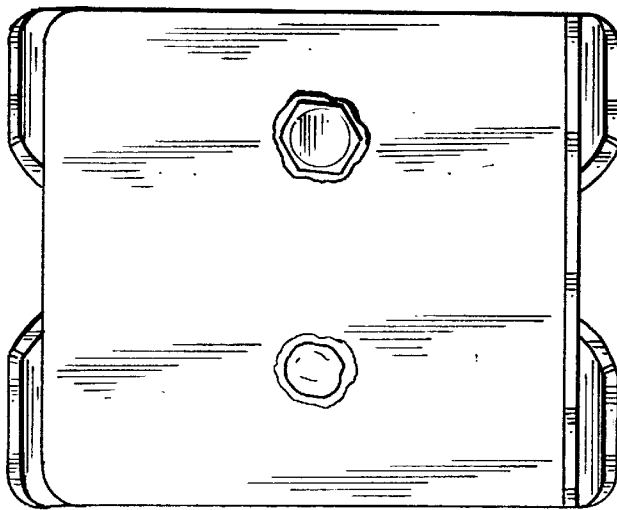
*Fig. 1.*



*Fig. 6.*



*Fig. 5.*



*Fig. 4.*