



US00D822725S

(12) **United States Design Patent** (10) **Patent No.:** **US D822,725 S**  
**Villeneuve et al.** (45) **Date of Patent:** **\*\* Jul. 10, 2018**

(54) **PUNCH INSERT**  
(71) Applicant: **MATE PRECISION TOOLING, INC.**, Anoka, MN (US)  
(72) Inventors: **Larry Villeneuve**, Zimmerman, MN (US); **Darius Teichroew**, Crystal, MN (US)

1,910,275 A 5/1933 Alden  
1,979,059 A 10/1934 Wallman  
2,107,581 A 2/1938 Parsons et al.  
2,245,676 A 6/1941 Johnson  
2,380,343 A 7/1945 Stellin et al.  
(Continued)

**FOREIGN PATENT DOCUMENTS**

(73) Assignee: **MATE PRECISION TOOLING, INC.**, Anoka, MN (US)

BE 1014961 A3 7/2004  
CN 1080607 3/2002  
(Continued)

(\*\*) Term: **15 Years**

**OTHER PUBLICATIONS**

(21) Appl. No.: **29/550,254**  
(22) Filed: **Dec. 31, 2015**  
(51) **LOC (11) Cl.** ..... **15-09**  
(52) **U.S. Cl.**  
USPC ..... **D15/128**  
(58) **Field of Classification Search**  
USPC ..... D15/128, 138; D19/65, 72  
CPC .. A61K 9/1694; A61K 9/2095; A61K 9/1617;  
A61K 9/1635; A61K 9/1641; A61K  
9/1688; A61K 9/2081; A61K 9/5026;  
A61K 31/4422; A61K 31/7032; B30B  
11/08; B30B 11/005; B30B 15/0082;  
B30B 15/0023; B30B 15/065; B30B  
15/281; B30B 15/302; B30B 15/304  
See application file for complete search history.

Written Opinion of the International Preliminary Examining Authority for International Patent Application No. PCT/US2016/017129, dated Jan. 17, 2017 (6 pages).  
(Continued)

*Primary Examiner* — Rosemary K Tarcza  
*Assistant Examiner* — Nathaniel D. Buckner  
(74) *Attorney, Agent, or Firm* — Dorsey & Whitney LLP

(57) **CLAIM**

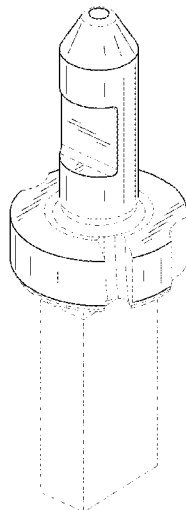
We claim the ornamental design for a punch insert, substantially as shown and described.

**DESCRIPTION**

FIG. 1 is a perspective view of a punch insert showing our new design;  
FIG. 2 is a top plan view thereof;  
FIG. 3 is a second perspective view thereof;  
FIG. 4 is a bottom plan view thereof;  
FIG. 5 is a rear elevation view thereof;  
FIG. 6 is a left side elevation view thereof;  
FIG. 7 is a front elevation view thereof; and,  
FIG. 8 is a right side elevation view thereof.  
The broken lines in the figures represent portions of the article which form no part of the claimed design.

(56) **References Cited**  
U.S. PATENT DOCUMENTS  
199,715 A 1/1878 Jenkins  
1,179,476 A 4/1916 Thomas et al.  
1,377,292 A 5/1921 Staron  
1,383,414 A 7/1921 Mansell  
1,386,259 A 8/1921 Jourdan et al.  
1,569,136 A 1/1926 Pardee, Jr.  
1,726,012 A 8/1929 Bilz  
1,784,911 A 12/1930 Schlitters, Jr. et al.  
1,806,694 A 5/1931 Markson

**1 Claim, 4 Drawing Sheets**



(56)

References Cited

U.S. PATENT DOCUMENTS

2,420,146 A 5/1947 Otto et al.  
 2,448,817 A 9/1948 McArthur  
 2,522,440 A 9/1950 Freter  
 2,614,781 A 10/1952 Engel  
 2,805,866 A 9/1957 Amend  
 2,893,291 A 7/1959 Hollis  
 2,927,432 A 3/1960 Parry  
 2,955,831 A 10/1960 Zandberg et al.  
 2,974,967 A 3/1961 Felmet  
 3,137,193 A 6/1964 Whistler et al.  
 3,289,519 A 12/1966 Piccone  
 3,447,455 A 6/1969 Shneider  
 3,495,493 A 2/1970 Herb et al.  
 3,530,750 A 9/1970 Daniels  
 3,548,700 A 12/1970 Herzog et al.  
 3,600,999 A 8/1971 Dennis  
 3,641,860 A 2/1972 Whistler et al.  
 3,735,993 A 5/1973 Seibert  
 3,759,130 A 9/1973 Patterson  
 3,763,730 A 10/1973 Ahlegian  
 4,092,888 A 6/1978 Wilson  
 4,146,239 A 3/1979 Martin  
 4,174,648 A 11/1979 Wallis  
 4,273,015 A 6/1981 Johnson  
 4,446,767 A 5/1984 Wilson  
 4,487,566 A 12/1984 Barna  
 4,503,741 A 3/1985 Hunter  
 4,526,077 A 7/1985 Deguvera  
 4,718,161 A 1/1988 Pfister et al.  
 4,762,043 A 8/1988 Sneed  
 4,850,755 A 7/1989 Spencer  
 4,862,782 A 9/1989 Ernst  
 4,951,375 A 8/1990 Erlenmaier  
 4,989,484 A 2/1991 Johnson et al.  
 5,020,407 A 6/1991 Brinlee  
 5,044,244 A 9/1991 Olson  
 5,131,303 A 7/1992 Wilison et al.  
 5,146,832 A 9/1992 Wilson et al.  
 5,271,303 A 12/1993 Chatham  
 5,301,580 A 4/1994 Rosene et al.  
 5,329,835 A 7/1994 Timp et al.  
 5,647,256 A 7/1997 Schneider  
 5,746,104 A 5/1998 Russell et al.  
 5,752,424 A 5/1998 Rosene et al.  
 5,832,798 A 11/1998 Schneider et al.  
 5,839,341 A 11/1998 Johnson et al.  
 5,884,546 A 3/1999 Johnson  
 5,887,502 A 3/1999 Yamaguchi et al.  
 6,047,621 A 4/2000 Dries et al.  
 6,082,516 A 7/2000 Willer  
 6,142,052 A 11/2000 Endo  
 6,196,103 B1 3/2001 Schneider et al.  
 6,276,247 B1 8/2001 Helda  
 6,334,381 B1 1/2002 Chatham  
 6,463,839 B2 10/2002 Ohtsuka et al.  
 6,782,787 B2 8/2004 Morehead et al.  
 6,895,797 B2 5/2005 Lowry et al.  
 6,895,849 B2 5/2005 Rosene et al.  
 7,051,635 B2 5/2006 Morehead  
 7,069,765 B2 7/2006 Grove et al.  
 D526,667 S \* 8/2006 Sakamoto ..... D15/128  
 7,156,009 B2 1/2007 Iwamoto et al.  
 7,159,426 B1 1/2007 Ghiran  
 7,168,356 B2 1/2007 Rosene et al.  
 7,658,134 B2 2/2010 Morgan et al.  
 D629,025 S \* 12/2010 Greenleaf ..... D15/128  
 7,900,543 B2 3/2011 Ikeda  
 7,975,587 B2 7/2011 Schneider  
 8,327,745 B2 12/2012 Lee et al.  
 8,408,111 B2 4/2013 Johnston  
 D690,332 S \* 9/2013 Morehead ..... B21D 28/34  
 D690,333 S \* 9/2013 Morehead ..... D15/128  
 D694,788 S \* 12/2013 Carper ..... D15/128  
 8,707,841 B2 4/2014 Morehead et al.

8,714,065 B2 5/2014 Takahashi et al.  
 D719,590 S \* 12/2014 Johnston ..... D15/128  
 D742,441 S \* 11/2015 Johnston ..... D15/128  
 D744,554 S 12/2015 Shimota et al.  
 D755,863 S \* 5/2016 Shimota ..... D15/128  
 D763,933 S \* 8/2016 Johnston ..... D15/128  
 9,409,223 B2 8/2016 Morehead et al.  
 D765,746 S \* 9/2016 Johnston ..... D15/128  
 9,687,994 B2 6/2017 Lee et al.  
 9,776,337 B2 10/2017 Lee et al.  
 9,855,670 B2 1/2018 Johnston et al.  
 2003/0075034 A1 4/2003 Brenneke  
 2004/0200333 A1 10/2004 Seeley et al.  
 2004/0206223 A1 10/2004 Rosene et al.  
 2006/0060046 A1 3/2006 Sugizaki et al.  
 2006/0081107 A1 4/2006 Iwamoto et al.  
 2007/0034069 A1 2/2007 Endo et al.  
 2007/0068352 A1 3/2007 Morgan  
 2007/0144232 A1 6/2007 Shimota et al.  
 2009/0173204 A1 7/2009 Malvestiti et al.  
 2009/0266209 A1 10/2009 Thielges et al.  
 2010/0107832 A1 5/2010 Johnston et al.  
 2010/0107846 A1 5/2010 Lee et al.  
 2013/0139667 A1 6/2013 Lee et al.  
 2013/0199352 A1 8/2013 Thielges et al.  
 2013/0240615 A1 9/2013 Thomson  
 2013/0319200 A1 12/2013 Johnston et al.  
 2014/0331842 A1 11/2014 Morehead et al.  
 2015/0306651 A1 10/2015 Rogers  
 2016/0228936 A1 8/2016 Villeneuve et al.  
 2016/0229078 A1 8/2016 Thielges  
 2016/0332319 A1 11/2016 Lee et al.  
 2016/0339502 A1 11/2016 Morehead et al.  
 2017/0291321 A1 10/2017 Lee et al.

FOREIGN PATENT DOCUMENTS

CN 1360537 A 7/2002  
 CN 1524020 A 8/2004  
 CN 1972767 A 5/2007  
 CN 101060947 A 10/2007  
 CN 201127968 Y 10/2008  
 CN 101791653 A 8/2010  
 DE 1777363 A1 12/1972  
 DE 19508091 C1 4/1996  
 DE 102006005572 A1 6/2007  
 EP 2373442 A1 10/2011  
 FR 2641486 A1 7/1990  
 JP 5459594 U 4/1979  
 JP 5555877 A 4/1980  
 JP 5555877 Y2 12/1980  
 JP 57189625 A 11/1982  
 JP 56113039 U 2/1983  
 JP 5989626 6/1984  
 JP S61-22698 2/1986  
 JP 6454923 9/1989  
 JP 05192717 A 8/1993  
 JP 3037168 U 5/1997  
 JP 09174162 A 7/1997  
 JP 10244327 A 9/1998  
 JP 10244331 A 9/1998  
 JP 2001137970 A 5/2001  
 JP 2002011531 A 1/2002  
 JP 2002282962 A 10/2002  
 JP 2004500242 A 1/2004  
 JP 2006110605 A 4/2006  
 JP 2006150392 A 6/2006  
 JP 2007136463 A 6/2007  
 JP 2007160384 A 6/2007  
 JP 2008183576 A 8/2008  
 JP 5555877 B2 7/2017  
 WO 2004024361 3/2004  
 WO 2004060620 A2 7/2004  
 WO 2010053895 A1 5/2010  
 WO 2010053897 A1 5/2010  
 WO 2013070536 A1 5/2013  
 WO 2013116886 8/2013

(56)

**References Cited**

## FOREIGN PATENT DOCUMENTS

WO 2016130351 A1 8/2016  
 WO 2016130530 A1 8/2016

## OTHER PUBLICATIONS

Written Opinion of the International Preliminary Examining Authority for International Patent Application No. PCT/US2016/015940, dated Jan. 17, 2017 (7 pages).

Applicant Interview Summary and Response to Final Office Action for U.S. Appl. No. 15/204,248, dated Apr. 17, 2017 (9 pages).

Applicant Interview Summary and Response to Non-Final Office Action for U.S. Appl. No. 13/708,318, filed Jul. 28, 2017 (16 pages).

Applicant-Initiated Interview Summary for U.S. Appl. No. 13/708,318, dated Jul. 21, 2017 (3 pages).

Applicant Interview Summary and Response to Final Office Action for U.S. Appl. No. 15/204,248, filed Apr. 21, 2017 (17 pages).

Final Office Action for U.S. Appl. No. 15/204,248, dated Mar. 24, 2017 (9 pages).

International Preliminary Report on Patentability for International Patent Application No. PCT/US2012/063505, dated May 13, 2014 (7 pages).

International Search Report and Written Opinion of the International Searching Authority for International Patent Application No. PCT/US2009/063058, dated Feb. 17, 2010 (10 pages).

International Search Report and Written Opinion of the International Searching Authority for International Patent Application No. PCT/US2009/063062, dated Feb. 17, 2010 (11 pages).

International Search Report and Written Opinion of the International Searching Authority for International Patent Application No. PCT/US2012/063505, dated Jan. 4, 2013 (11 pages).

Non-Final Office Action for U.S. Appl. No. 13/708,318, dated Mar. 31, 2017 (10 pages).

Non-Final Office Action for U.S. Appl. No. 15/204,248, dated Nov. 23, 2016 (11 pages).

Non-Final Office Action for U.S. Appl. No. 15/631,435, dated Jul. 13, 2017 (9 pages).

Notice of Allowance for U.S. Appl. No. 13/708,318, dated Aug. 21, 2017 (8 pages).

Notice of Allowance for U.S. Appl. No. 15/204,248, dated May 12, 2017 (8 pages).

Response to Non-Final Office Action for U.S. Appl. No. 15/204,248, filed Dec. 16, 2016 (15 pages).

Complaint and Jury Demand for Court File No. 17-cv-04608-JRT-BRT, filed by Plaintiff on Oct. 10, 2017 (143 pages).

Defendant Mate Precision Tooling, Inc.'s Answer, Counterclaim, and Demand for Jury Trial for Court File No. 17-cv-04608-JRT-BRT, filed by Defendant on Nov. 22, 2017 (45 pages).

Rule 26(f) Report for Court File No. 17-cv-04608-JRT-BRT, filed jointly by Plaintiff and Defendant on Dec. 1, 2017 (17 pages).

Plaintiff Wilson Tool International Inc.'s Partial Motion to Dismiss Inequitable Conduct Counterclaim for Court File No. 17-cv-04608-JRT-BRT, filed by Plaintiff on Dec. 22, 2017 (4 pages).

Memorandum in Support of Plaintiff Wilson Tool International Inc.'s Partial Motion to Dismiss the Counterclaim for Court File No. 17-cv-04608-JRT-BRT, filed by Plaintiff on Dec. 22, 2017 (26 pages).

Declaration of Anne Rondoni Tavernier in Support of Plaintiff's Motion to Dismiss Inequitable Conduct Counterclaim for Court File No. 17-cv-04608-JRT-BRT, filed by Plaintiff on Dec. 22, 2017 (124 pages).

Mate Precision Tooling, Inc.'s Memorandum Opposing Wilson Tool International Inc.'s Partial Motion to Dismiss Counterclaim for Court File No. 17-cv-04608-JRT-BRT, filed by Defendant on Jan. 12, 2018 (42 pages).

Reply Memorandum in Support of Plaintiff Wilson Tool's Partial Motion to Dismiss the Counterclaim for Court File No. 17-cv-04608-JRT-BRT, filed Jan. 26, 2018 (21 pages).

\* cited by examiner

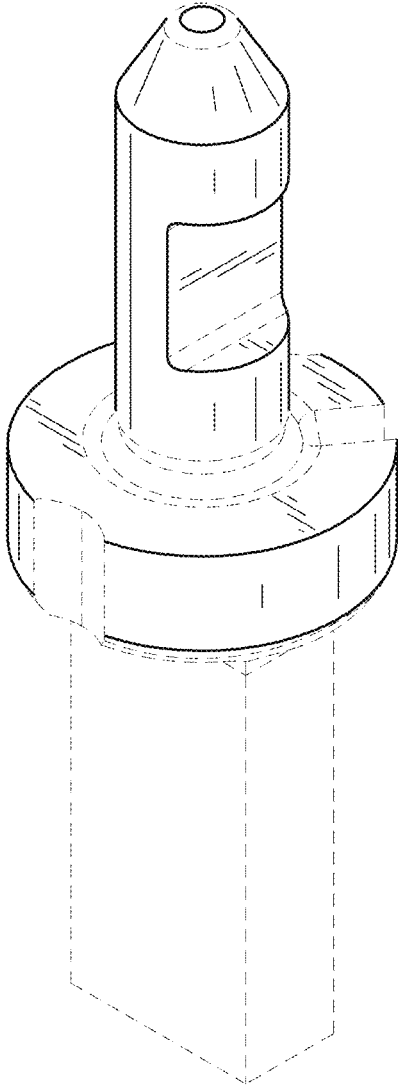


FIG. 1

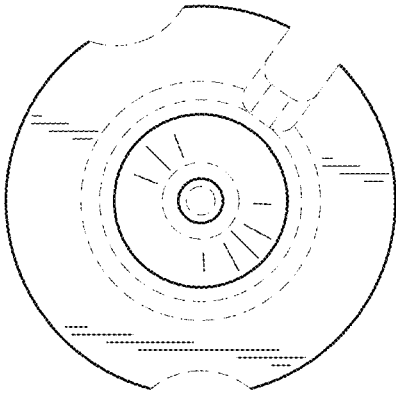


FIG. 2

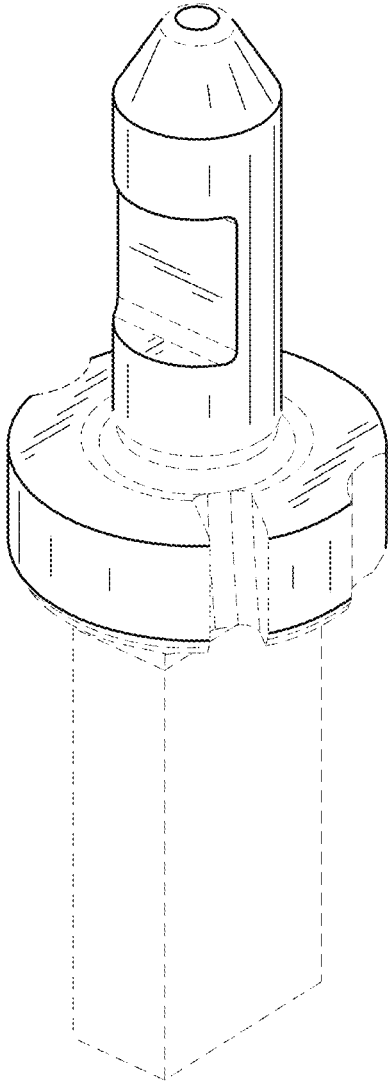


FIG. 3

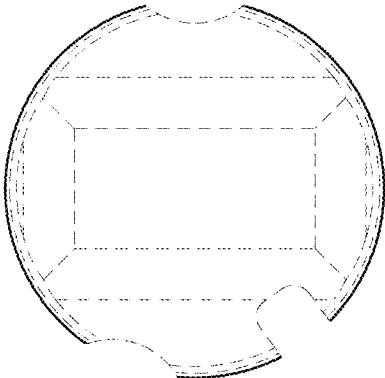


FIG. 4

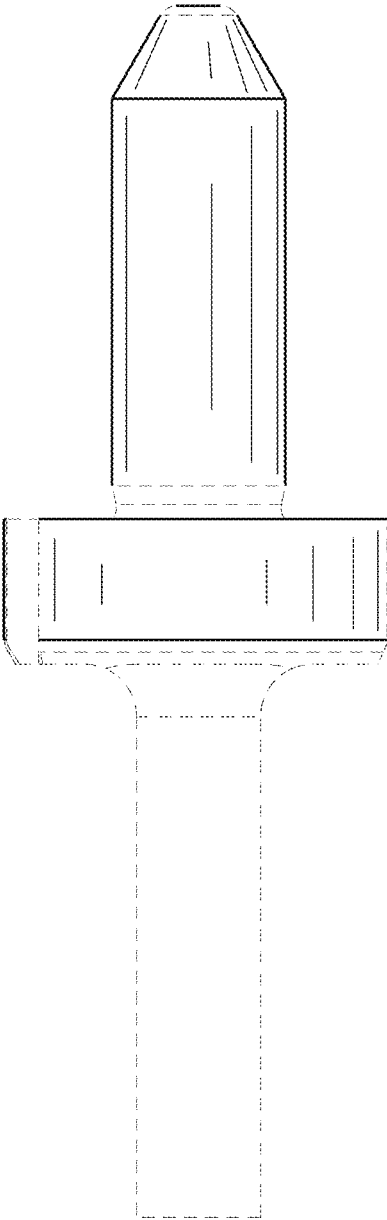


FIG. 5

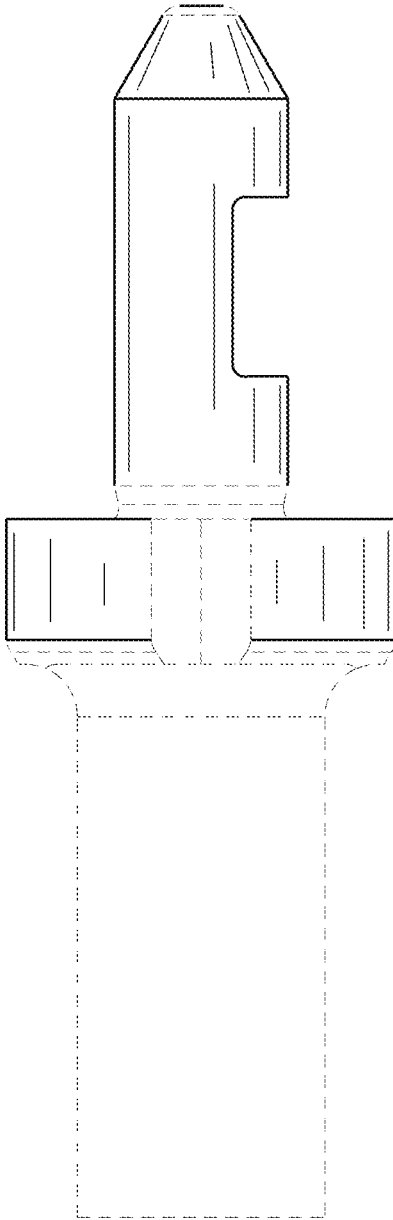


FIG. 6

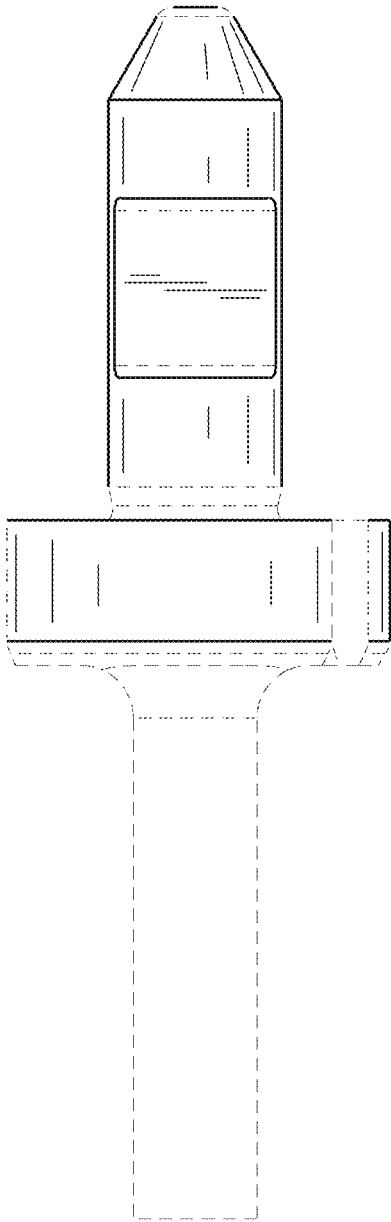


FIG. 7

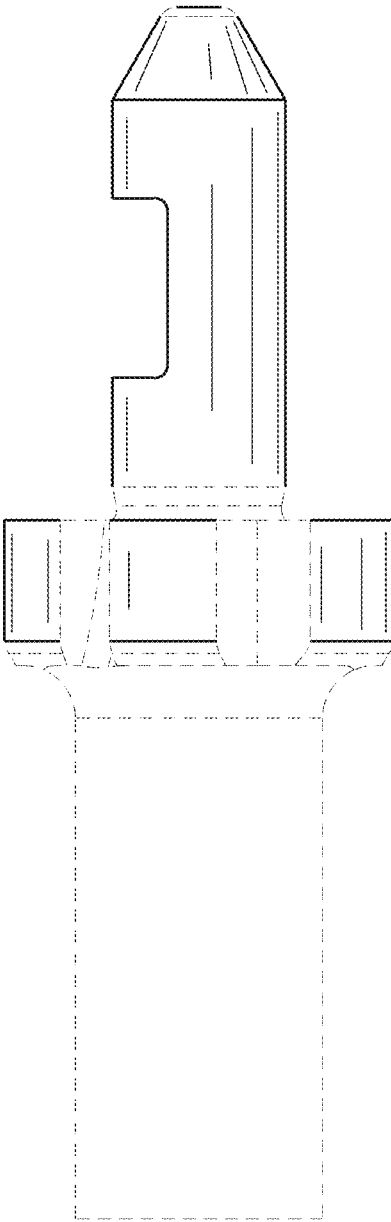


FIG. 8