



US00D574361S

(12) **United States Design Patent**
Sasaki

(10) **Patent No.:** **US D574,361 S**

(45) **Date of Patent:** **** Aug. 5, 2008**

(54) **EARPHONE**

(75) Inventor: **Yuzuko Sasaki**, Tokyo (JP)

(73) Assignee: **Victor Company of Japan, Limited**,
Yokohama-shi (JP)

(**) Term: **14 Years**

(21) Appl. No.: **29/290,498**

(22) Filed: **Dec. 11, 2007**

(30) **Foreign Application Priority Data**

Jun. 12, 2007 (JP) D2007-015566

(51) **LOC (8) Cl.** **14-01**

(52) **U.S. Cl.** **D14/205; D14/223**

(58) **Field of Classification Search** D14/205–206,
D14/223; 181/129–130, 135; 379/330, 381,
379/430, 433.01, 420.04, 420.03, 420.02;
D24/174, 175; 381/330, 370, 375–379, 380,
381/381, 385, 387; 128/864, 865; 455/151,
455/151.1, 153.1, 353–355

See application file for complete search history.

(56) **References Cited**

U.S. PATENT DOCUMENTS

2,719,523 A * 10/1955 Von Gierke 128/864
2,787,670 A * 4/1957 Rowland 381/324
3,047,089 A * 7/1962 Zwislocki 181/135
4,969,534 A * 11/1990 Kolpe et al. 181/130
D532,770 S * 11/2006 Engstrom et al. D14/205

D535,642 S * 1/2007 Garcia et al. D14/206
D539,268 S * 3/2007 Suzuki D14/206
D542,782 S * 5/2007 Pena Angarita D14/223
D549,222 S * 8/2007 Huang D14/223
D554,756 S * 11/2007 Sjursen et al. D24/174
D558,735 S * 1/2008 Carr et al. D14/206
D564,495 S * 3/2008 Sasaki D14/205
D566,099 S * 4/2008 Komiyama D14/206

* cited by examiner

Primary Examiner—Paula A Greene

(74) *Attorney, Agent, or Firm*—Nath Law Group; Jerald L. Meyer; Derek Richmond

(57) **CLAIM**

The ornamental design for an earphone, as shown and described.

DESCRIPTION

FIG. 1 is a perspective view of an earphone;

FIG. 2 is a front view thereof;

FIG. 3 is a rear view thereof;

FIG. 4 is a top plan view thereof;

FIG. 5 is a bottom plan view thereof;

FIG. 6 is a right side view thereof; and,

FIG. 7 is a left side view thereof.

The broken lines showing on the drawing disclosure are for illustrative purposes only and form no part of the claimed design.

1 Claim, 7 Drawing Sheets

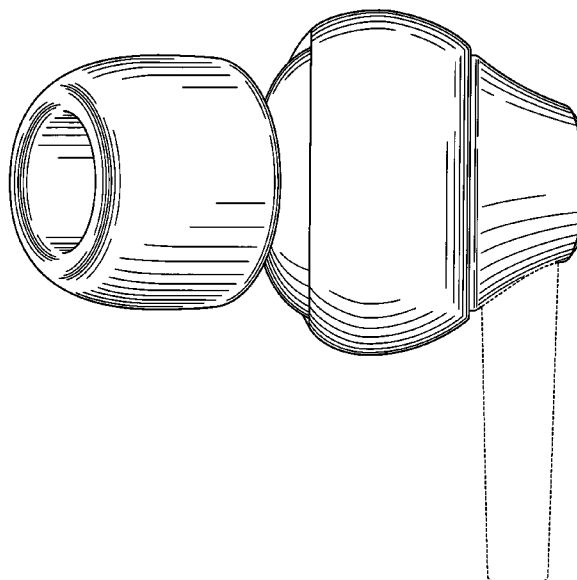
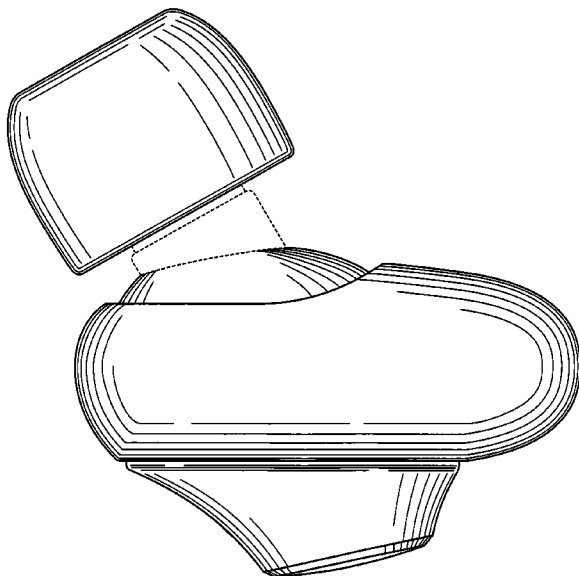


Fig. 1

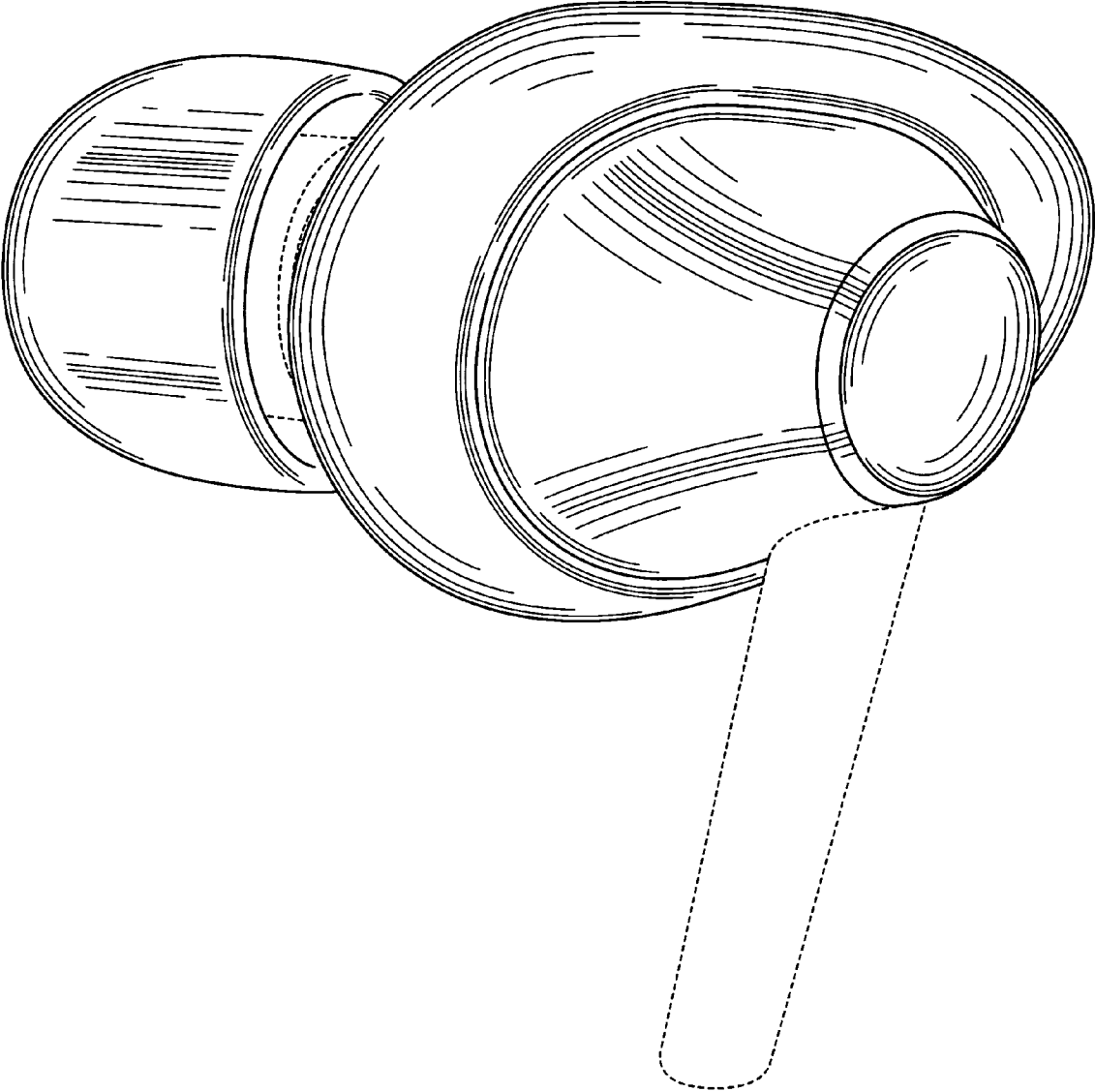


Fig.2

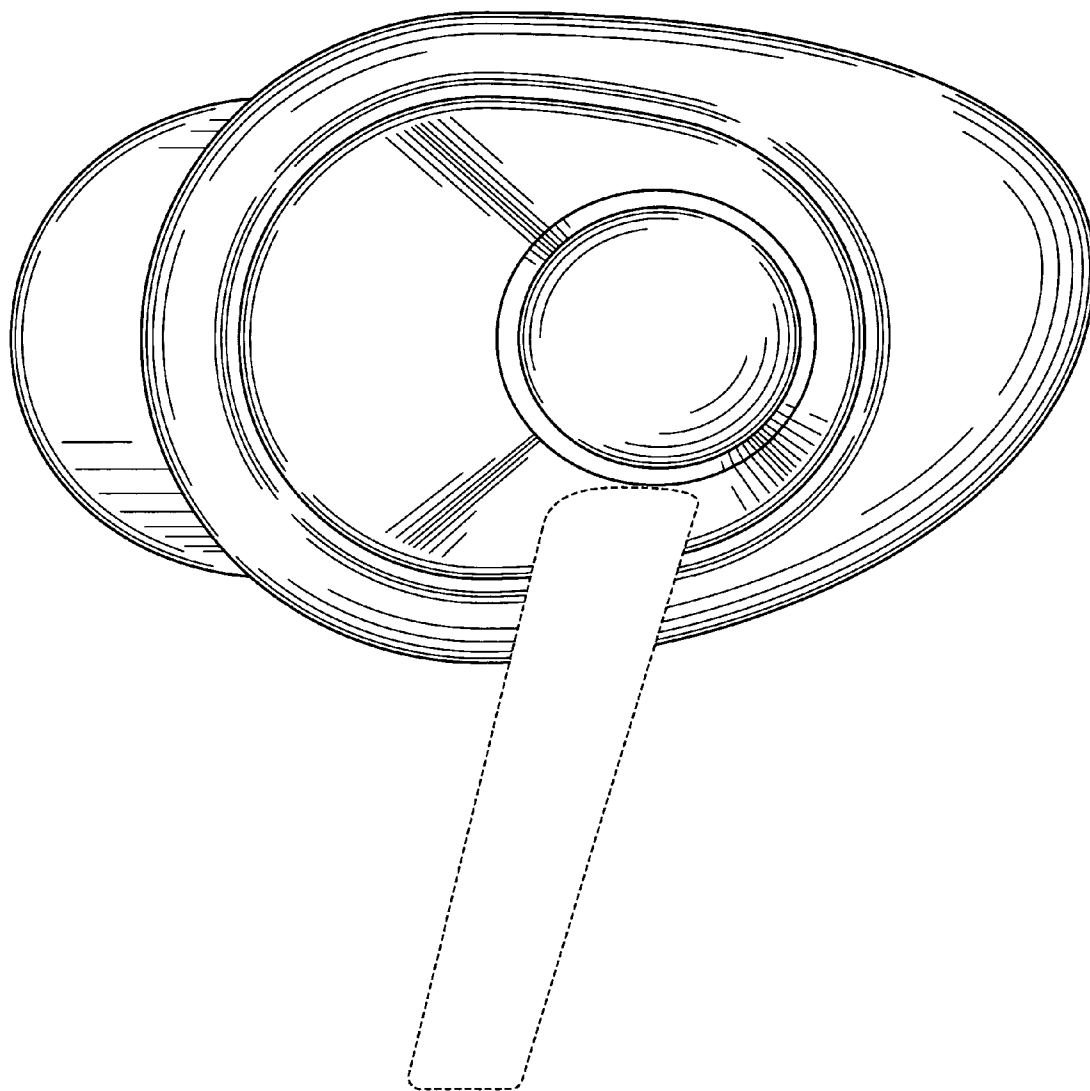


Fig.3

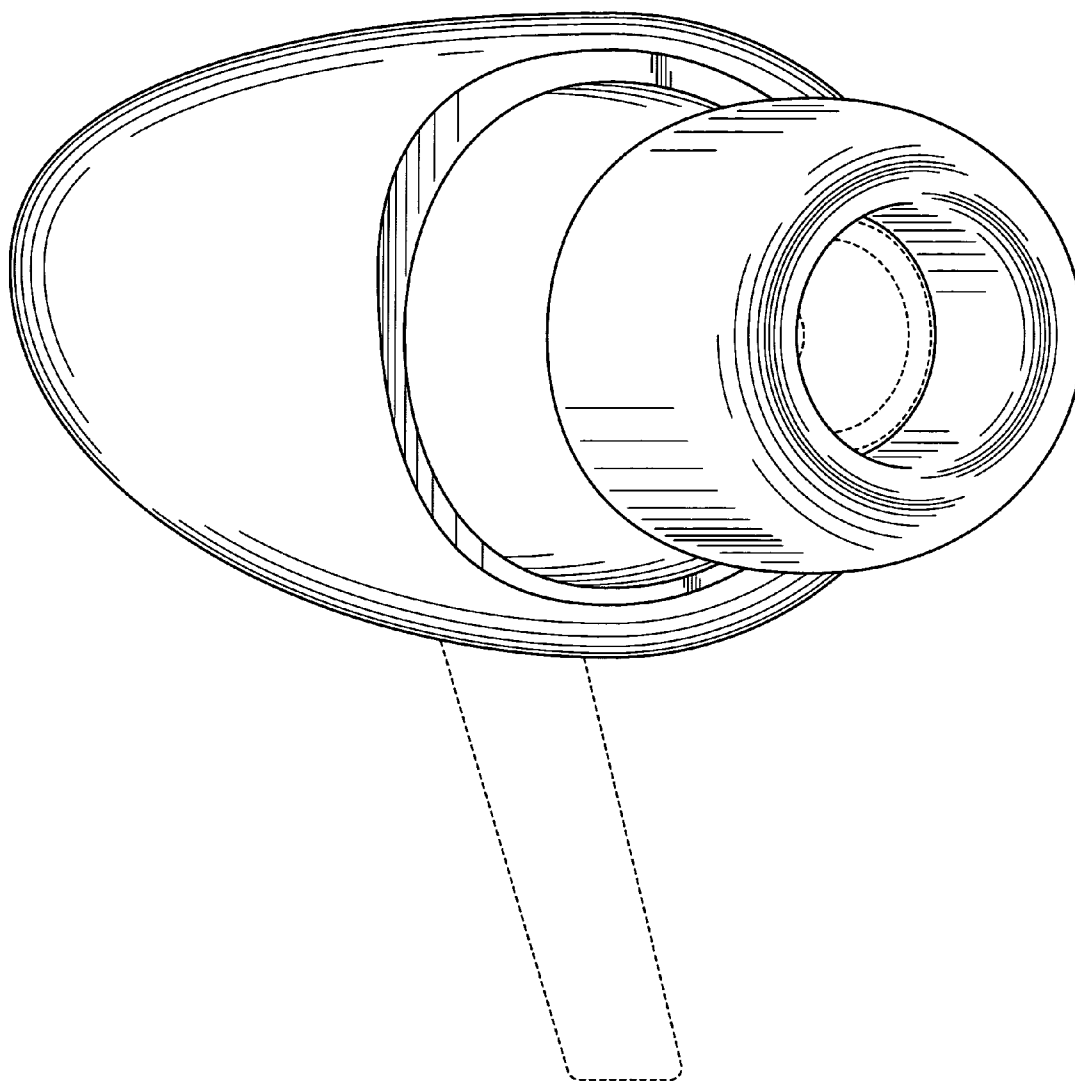


Fig.4

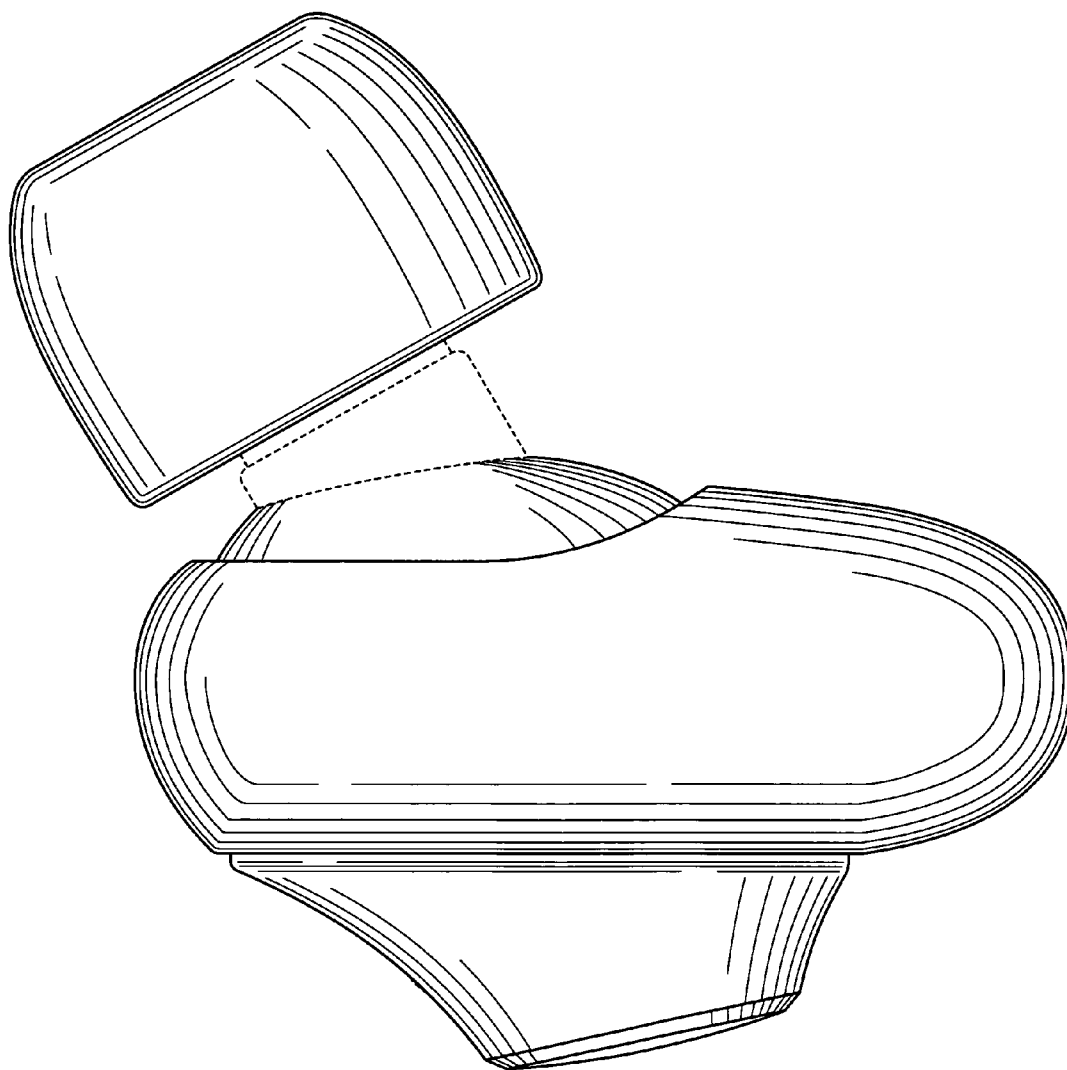


Fig.5

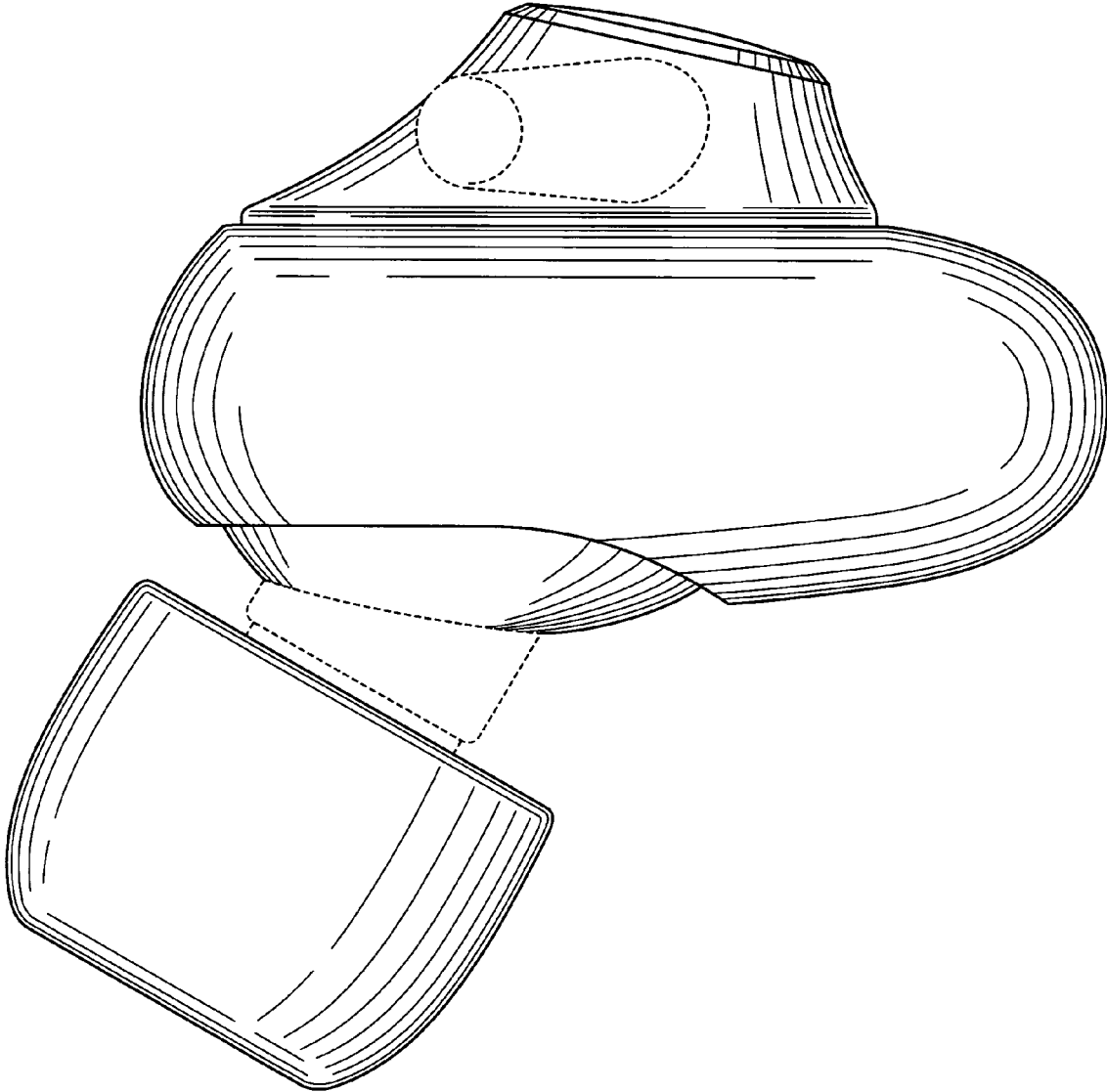


Fig.6

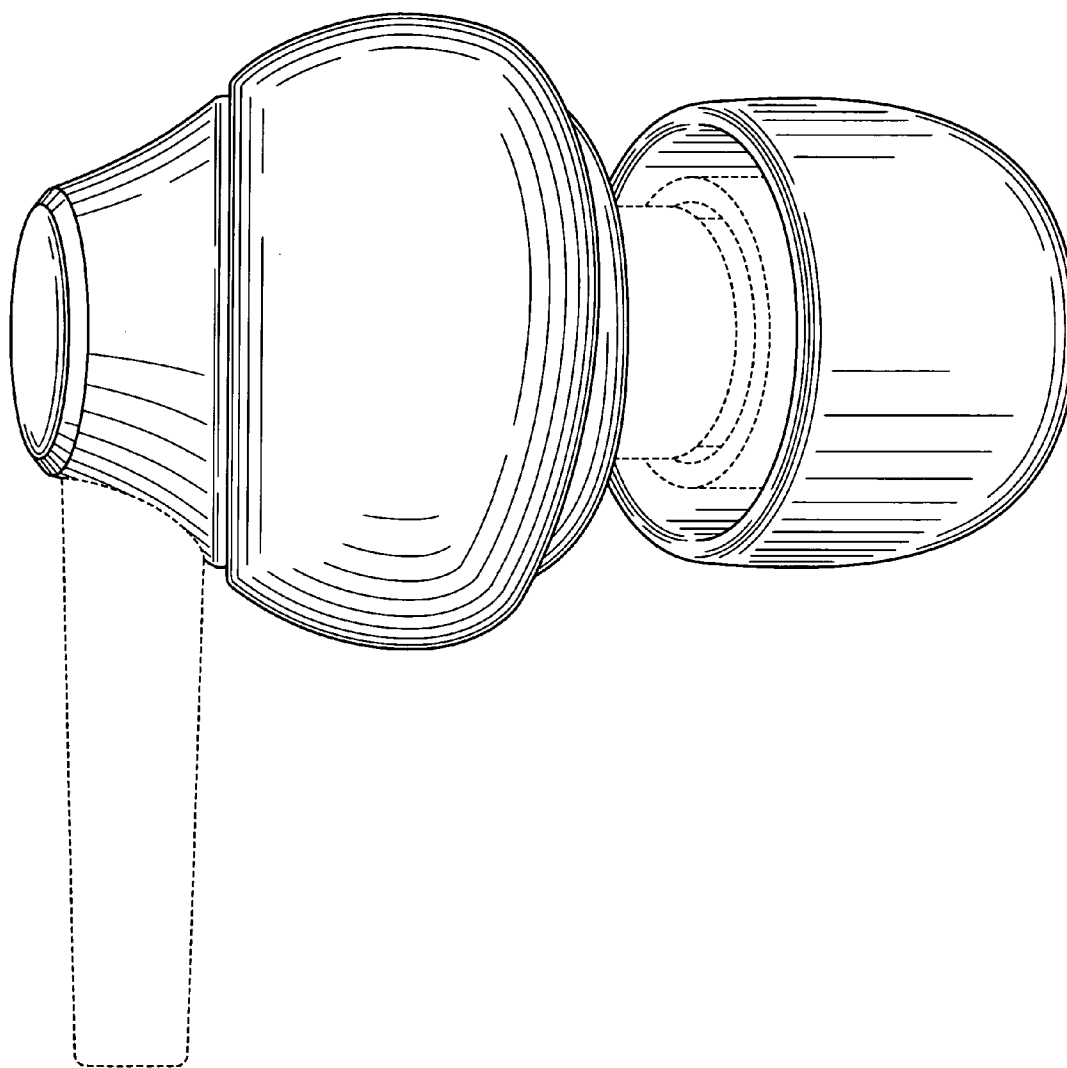


Fig.7

