



US00D835236S

(12) **United States Design Patent**
Ziemann et al.

(10) **Patent No.:** **US D835,236 S**

(45) **Date of Patent:** **** Dec. 4, 2018**

(54) **FAUCET**

(71) Applicant: **BLANCO GmbH + Co KG**,
Oberderdingen (DE)

(72) Inventors: **Brigitte Ziemann**, Eppingen (DE);
Thomas Funke, Eppingen (DE)

(73) Assignee: **BLANCO GmbH + Co KG**,
Oberderdingen (DE)

(**) Term: **15 Years**

(21) Appl. No.: **29/599,063**

(22) Filed: **Mar. 30, 2017**

(51) **LOC (11) Cl.** **23-01**

(52) **U.S. Cl.**
USPC **D23/238**

(58) **Field of Classification Search**
USPC D23/238–243, 249–250, 252, 254–255,
D23/257
CPC E03C 1/0412; Y10T 137/9464
See application file for complete search history.

(56) **References Cited**

U.S. PATENT DOCUMENTS

D503,777 S * 4/2005 Costello D23/238
D531,698 S * 11/2006 Wood D23/238

D610,653 S * 2/2010 Schoenherr D23/238
D786,405 S * 5/2017 Schaubach D23/238
2004/0112985 A1* 6/2004 Malek E03C 1/04
239/445

* cited by examiner

Primary Examiner — Robert A Delehanty
(74) *Attorney, Agent, or Firm* — Hanley, Flight and
Zimmerman, LLC

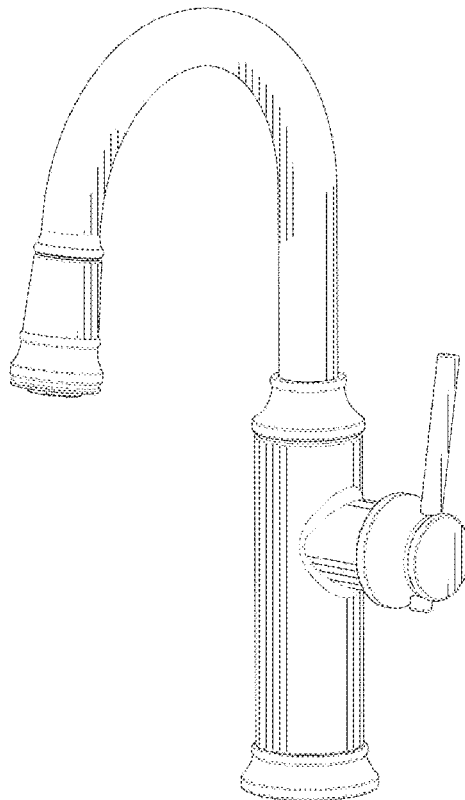
(57) **CLAIM**

The ornamental design for a “faucet,” as shown and
described.

DESCRIPTION

FIG. 1 is a perspective view of a faucet.
FIG. 2 is a top plan view of the faucet of FIG. 1.
FIG. 3 is a bottom plan view of the faucet of FIG. 1.
FIG. 4 is a front view of the faucet of FIG. 1.
FIG. 5 is a rear view of the faucet of FIG. 1.
FIG. 6 is a left side view of the faucet of FIG. 1; and,
FIG. 7 is a right side view of the faucet of FIG. 1.
The features shown in broken lines form no part of the
claimed design.

1 Claim, 7 Drawing Sheets



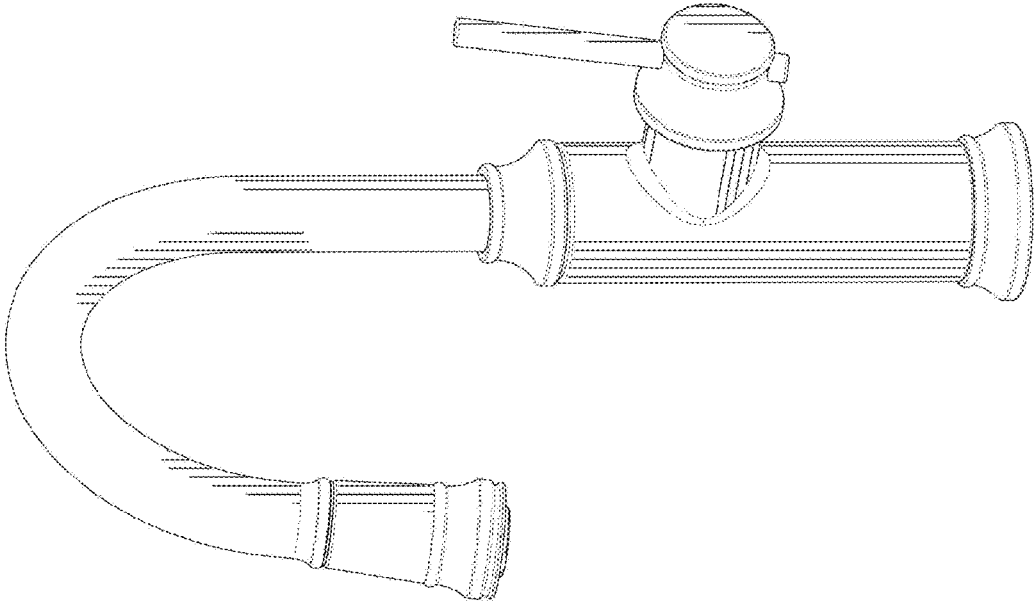


FIG. 1

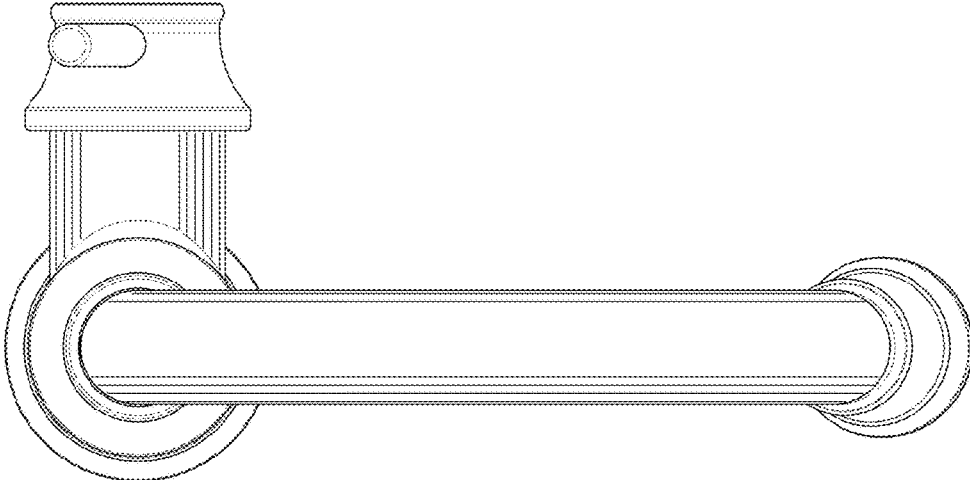


FIG. 2

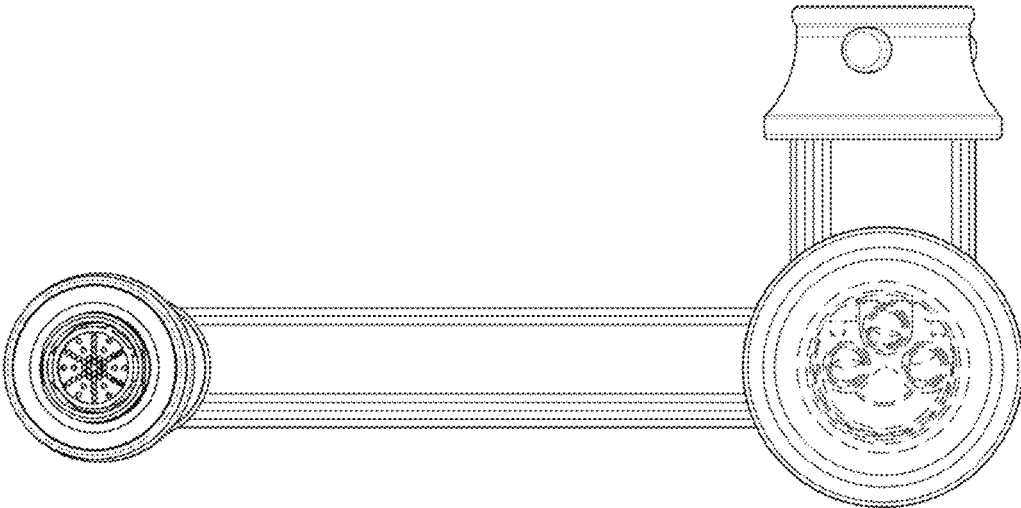


FIG. 3

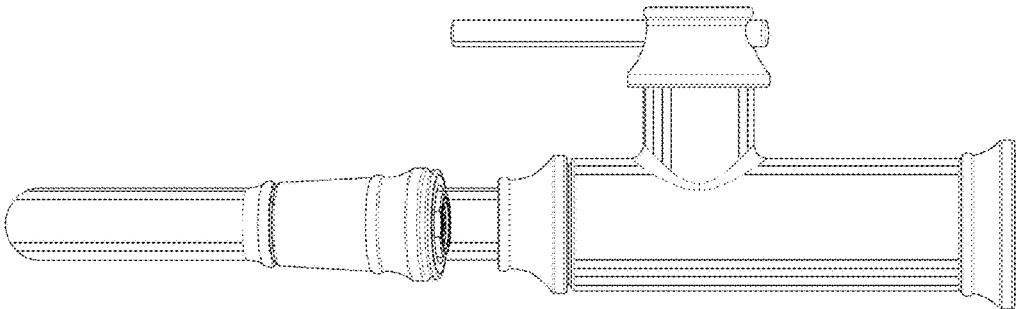


FIG. 4

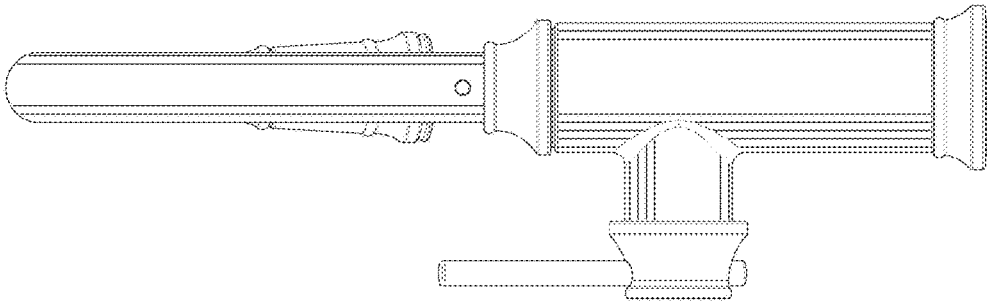


FIG. 5

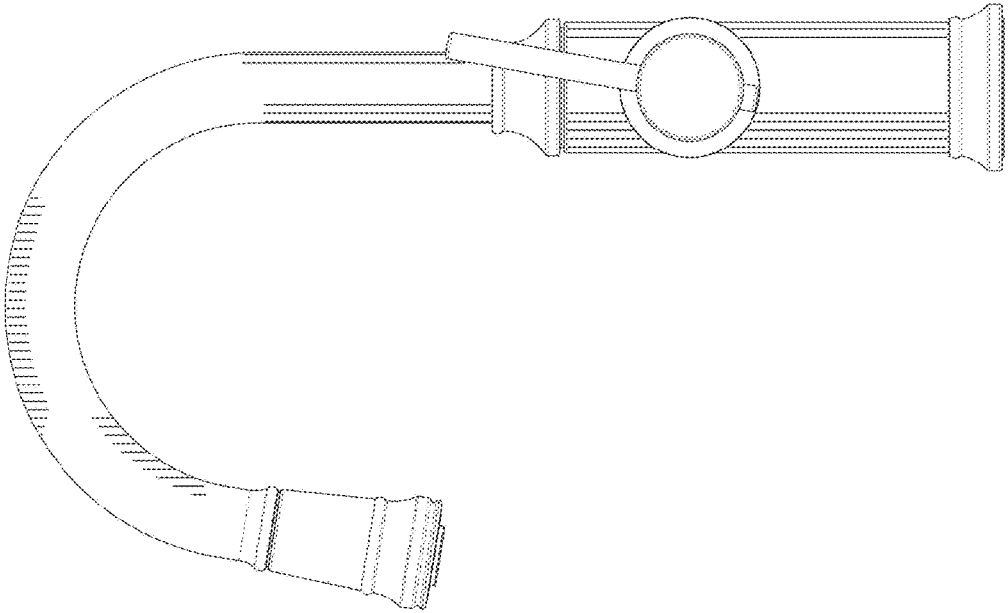


FIG. 6

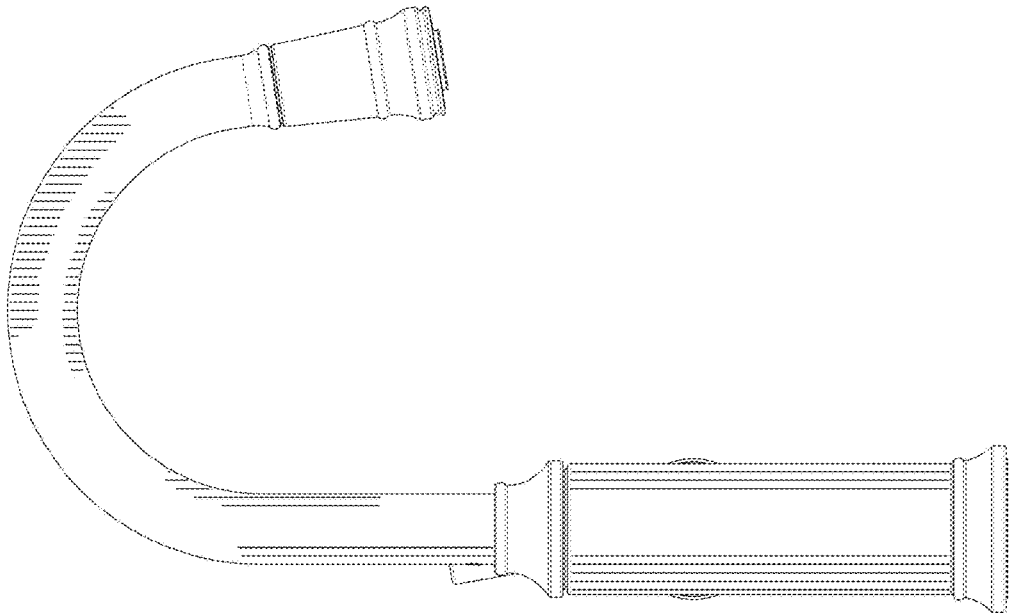


FIG. 7