



(51) International Patent Classification:
A61F 2/02 (2006.01) *A61F 2/48* (2006.01)

(21) International Application Number:
PCT/US2009/040184

(22) International Filing Date:
10 April 2009 (10.04.2009)

(25) Filing Language: English

(26) Publication Language: English

(30) Priority Data:
61/044,408 11 April 2008 (11.04.2008) US

(71) Applicant (for all designated States except US): **BAL SEAL ENGINEERING** [US/US]; 19650 Pauling, Foothill Ranch, CA 92610-2610 (US).

(72) Inventors; and
(75) Inventors/Applicants (for US only): **DILMAGHANI-AN, Farshid** [US/US]; 19650 Pauling, Foothill Ranch, CA 92610-2610 (US). **COOK, Hugh** [US/US]; 19650 Pauling, Foothill Ranch, CA 92610-2610 (US).

(74) Agents: **DAO, Tom, H.** et al.; Suite 204, 43 Corporate Park, Irvine, CA 92606 (US).

(81) Designated States (unless otherwise indicated, for every kind of national protection available): AE, AG, AL, AM, AO, AT, AU, AZ, BA, BB, BG, BH, BR, BW, BY, BZ, CA, CH, CN, CO, CR, CU, CZ, DE, DK, DM, DO, DZ, EC, EE, EG, ES, FI, GB, GD, GE, GH, GM, GT, HN, HR, HU, ID, IL, IN, IS, JP, KE, KG, KM, KN, KP, KR,

KZ, LA, LC, LK, LR, LS, LT, LU, LY, MA, MD, ME, MG, MK, MN, MW, MX, MY, MZ, NA, NG, NI, NO, NZ, OM, PG, PH, PL, PT, RO, RS, RU, SC, SD, SE, SG, SK, SL, SM, ST, SV, SY, TJ, TM, TN, TR, TT, TZ, UA, UG, US, UZ, VC, VN, ZA, ZM, ZW.

(84) Designated States (unless otherwise indicated, for every kind of regional protection available): ARIPO (BW, GH, GM, KE, LS, MW, MZ, NA, SD, SL, SZ, TZ, UG, ZM, ZW), Eurasian (AM, AZ, BY, KG, KZ, MD, RU, TJ, TM), European (AT, BE, BG, CH, CY, CZ, DE, DK, EE, ES, FI, FR, GB, GR, HR, HU, IE, IS, IT, LT, LU, LV, MC, MK, MT, NL, NO, PL, PT, RO, SE, SI, SK, TR), OAPI (BF, BJ, CF, CG, CI, CM, GA, GN, GQ, GW, ML, MR, NE, SN, TD, TG).

Declarations under Rule 4.17:

- as to applicant's entitlement to apply for and be granted a patent (Rule 4.17(ii))
- as to the applicant's entitlement to claim the priority of the earlier application (Rule 4.17(iii))

Published:

- with international search report (Art. 21(3))
- before the expiration of the time limit for amending the claims and to be republished in the event of receipt of amendments (Rule 48.2(h))

(88) Date of publication of the international search report:
26 November 2009

(54) Title: CONNECTOR CARTRIDGE STACK FOR ELECTRICAL TRANSMISSION

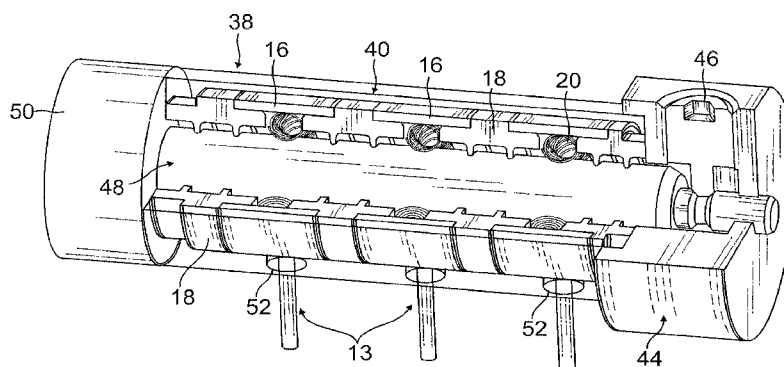


FIG. 2

(57) Abstract: Connector assemblies for use with implantable medical devices having easy to assemble contacts are disclosed. The connector assemblies are generally formed by coupling a plurality of ring contacts, sealing rings, and spring contact elements together with at least one holding ring to form a connector having a common bore for receiving a medical lead cable. Contact grooves or spring chambers for positioning the spring contact elements are formed in part by assembling multiple components together. A further aspect is a provision for encasing each connector assembly or stack inside a thermoset layer or a thermoplastic layer before over-molding the same to a sealed housing.



WO 2009/126872 A3

A. CLASSIFICATION OF SUBJECT MATTER*A61F 2/02(2006.01)i, A61F 2/48(2006.01)i*

According to International Patent Classification (IPC) or to both national classification and IPC

B. FIELDS SEARCHED

Minimum documentation searched (classification system followed by classification symbols)

IPC A61F 2/02, A61N 1/05, H01R 24/04

Documentation searched other than minimum documentation to the extent that such documents are included in the fields searched

Electronic data base consulted during the international search (name of data base and, where practicable, search terms used)

eKOMPASS(KIPO internal), NCBI PubMed database, Delphion Research Intellectual Property Network database

C. DOCUMENTS CONSIDERED TO BE RELEVANT

Category*	Citation of document, with indication, where appropriate, of the relevant passages	Relevant to claim No.
A	US 7,070,455 B2 (Balsells) Jul. 4, 2006. See figures 2, 3, 5 and claims 1- 14	1 - 23
A	US 2007-0239247 A1 (Camps et al.) Oct. 11, 2007. See the whole document.	1 - 23
A	WO 2004-030753 A1 (Laske, Timothy et al.) Apr. 15, 2004. See the whole document.	1 - 23
A	WO 97-35636 A1 (Ecker, Robert, M.) Oct. 2, 1997. See the whole document.	1 - 23

 Further documents are listed in the continuation of Box C. See patent family annex.

* Special categories of cited documents:

"A" document defining the general state of the art which is not considered to be of particular relevance

"E" earlier application or patent but published on or after the international filing date

"L" document which may throw doubts on priority claim(s) or which is cited to establish the publication date of citation or other special reason (as specified)

"O" document referring to an oral disclosure, use, exhibition or other means

"P" document published prior to the international filing date but later than the priority date claimed

"T" later document published after the international filing date or priority date and not in conflict with the application but cited to understand the principle or theory underlying the invention

"X" document of particular relevance; the claimed invention cannot be considered novel or cannot be considered to involve an inventive step when the document is taken alone

"Y" document of particular relevance; the claimed invention cannot be considered to involve an inventive step when the document is combined with one or more other such documents, such combination being obvious to a person skilled in the art

"&" document member of the same patent family

Date of the actual completion of the international search

30 SEPTEMBER 2009 (30.09.2009)

Date of mailing of the international search report

30 SEPTEMBER 2009 (30.09.2009)

Name and mailing address of the ISA/KR

Korean Intellectual Property Office
Government Complex-Daejeon, 139 Seonsa-ro, Seo-
gu, Daejeon 302-701, Republic of Korea

Facsimile No. 82-42-472-7140

Authorized officer

JEONG Eui Jun

Telephone No. 82-42-481-5549



INTERNATIONAL SEARCH REPORT

Information on patent family members

International application No.

PCT/US2009/040184

Patent document cited in search report	Publication date	Patent family member(s)	Publication date
US 07070455 B2	04.07.2006	EP 1726066 A2	29.11.2006
		EP 1726066 A4	05.03.2008
		US 2005-186829 A1	25.08.2005
		WO 2005-081927 A2	09.09.2005
		WO 2005-081927 A3	30.03.2006
		WO 2005-081927 A8	08.06.2006
US 2007-0239247 A1	11.10.2007	WO 2007-115158 A2	11.10.2007
		WO 2007-115158 A3	17.01.2008
		WO 2007-115158 A3	11.10.2007
WO 2004-030753 A1	15.04.2004	CA 2500726 A1	15.04.2004
		EP 1549388 B1	15.07.2009
		EP 1549388 A1	06.07.2005
		JP 2006-501894 T	19.01.2006
		JP 2006-501894 A	19.01.2006
		US 2004-0147963 A1	29.07.2004
		US 06931286 B2	16.08.2005
		US 07103418 B2	05.09.2006
		US 07187971 B2	06.03.2007
		US 07274966 B2	25.09.2007
		US 2004-0068299 A1	08.04.2004
		US 2004-0068312 A1	08.04.2004
		US 2004-0143314 A1	22.07.2004
WO 1997-035636 A1	02.10.1997	AU 2332297 A	17.10.1997
		AU 718073 B2	06.04.2000
		AU 1997-23322 B2	18.03.1997
		CA 2220770 C	17.08.2004
		DE 69724373 D1	02.10.2003
		DE 69724373 T2	24.06.2004
		EP 0835153 A1	15.04.1998
		EP 0835153 B1	27.08.2003
		JP 11-506380 T	08.06.1999
		JP 11-506380 A	08.06.1999
		US 05899927 A	04.05.1999