

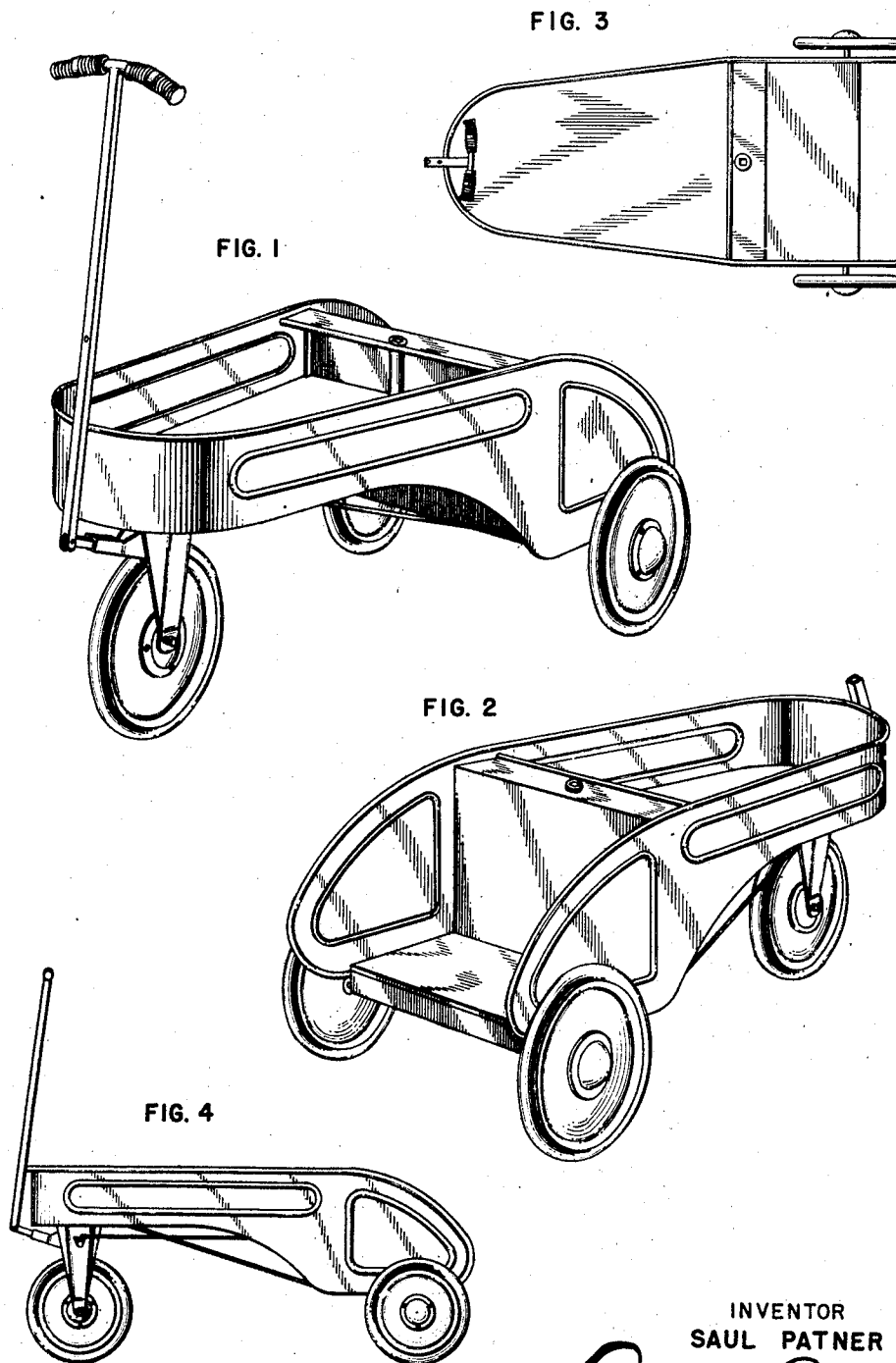
Dec. 10, 1946.

S. PATNER

Des.146,061

COMBINED COASTER WAGON AND SCOOTER

Filed Feb. 18, 1946



INVENTOR
SAUL PATNER
BY *S. Patner*
ATTORNEYS

UNITED STATES PATENT OFFICE

146,061

DESIGN FOR A COMBINED COASTER WAGON AND SCOOTER

Saul Patner, Chicago, Ill.

Application February 18, 1946, Serial No. 126,681

Term of patent 14 years

(Cl. D34—15)

To all whom it may concern:

Be it known that I, Saul Patner, a citizen of the United States, residing at Chicago, in the county of Cook and State of Illinois, have invented a new, original, and ornamental Design for a Combined Coaster Wagon and Scooter, of which the following is a specification, reference being had to the accompanying drawing, forming part thereof.

Figure 1 is a perspective view of a combined

coaster wagon and scooter showing my new design.

Fig. 2 is a rear perspective view thereof.

Fig. 3 is a top plan view thereof on a reduced scale.

Fig. 4 is a side view thereof on a reduced scale.

I claim:

The ornamental design for a combined coaster wagon and scooter, as shown.

SAUL PATNER.