



(22) Date de dépôt/Filing Date: 2000/05/16

(41) Mise à la disp. pub./Open to Public Insp.: 2001/11/16

(45) Date de délivrance/Issue Date: 2007/08/07

(51) Cl.Int./Int.Cl. *B22D 17/20* (2006.01),
B22D 17/26 (2006.01), *B22D 17/32* (2006.01)

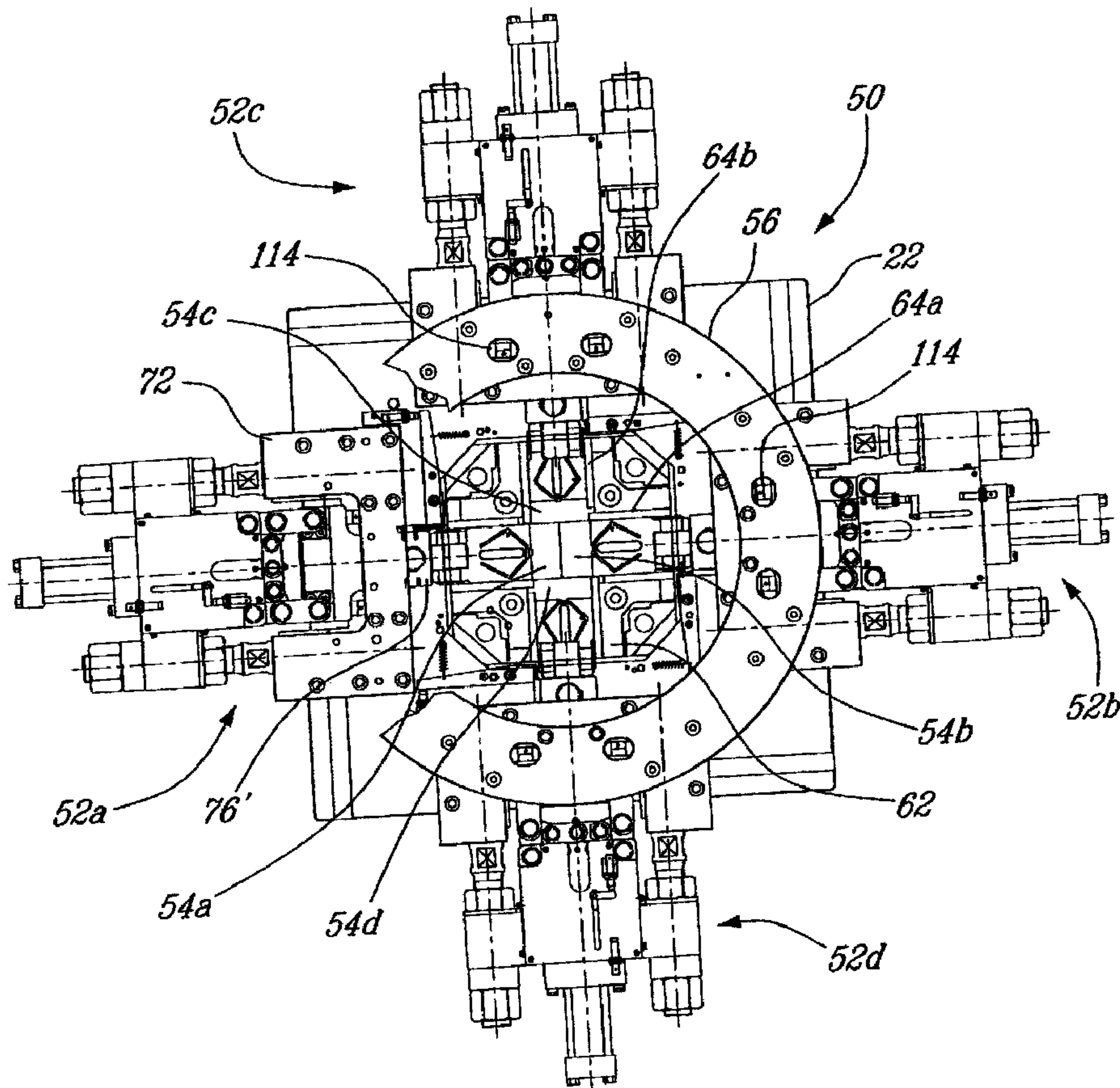
(72) Inventeurs/Inventors:
POLLAK, ALEXANDRE A., CA;
THIBAUT, CARL, CA;
BOURBONNAIS, ALAIN, CA;
LAVEAU, RICHARD, CA

(73) Propriétaire/Owner:
TECHMIRE LTD., CA

(74) Agent: OGILVY RENAULT LLP/S.E.N.C.R.L.,S.R.L.

(54) Titre : SYSTEME DE MOULAGE SOUS PRESSION A SECTIONS MULTIPLES SUR GLISSIERE

(54) Title: MULTIPLE-SLIDE DIE-CASTING SYSTEM



(57) Abrégé/Abstract:

A multiple-slide die-casting machine is equipped with improved mechanical structure and unique injection control system to improve the quality of molded products, to achieve flash free castings of improved surface finish. The clamping assemblies are

(57) **Abrégé(suite)/Abstract(continued):**

mounted on one side of a base plate of the machine for applying clamping force to the mold sections in a preloaded state. A reinforcement ring interconnects the clamping assemblies to inhibit deflection of the base plate and the brackets which support the clamping assemblies so that an accurate parting line between the contacting surfaces of mold sections is insured. The unique injection control system of the machine provides selectively closed loop and open loop injection to achieve the advantage of a closed loop control injection which provides for optimal parameters for an injection cycle to eliminate hammer effect, and the advantage of open loop which is suitable for die-casting small products requiring an injection stroke too short to be reacted on in closed loop control.

MULTIPLE-SLIDE DIE-CASTING SYSTEM

Abstract of the Disclosure

A multiple-slide die-casting machine is equipped with improved mechanical structure and unique injection control system to improve the quality of molded products, to achieve flash free castings of improved surface finish. The clamping assemblies are mounted on one side of a base plate of the machine for applying clamping force to the mold sections in a preloaded state. A reinforcement ring interconnects the clamping assemblies to inhibit deflection of the base plate and the brackets which support the clamping assemblies so that an accurate parting line between the contacting surfaces of mold sections is insured. The unique injection control system of the machine provides selectively closed loop and open loop injection to achieve the advantage of a closed loop control injection which provides for optimal parameters for an injection cycle to eliminate hammer effect, and the advantage of open loop which is suitable for die-casting small products requiring an injection stroke too short to be reacted on in closed loop control.

MULTIPLE-SLIDE DIE-CASTING SYSTEM

FIELD OF THE INVENTION

The present invention relates to die-casting machines and in particular to a multiple-slide die-casting machine which includes a mold clamping system and an injection system.

BACKGROUND OF THE INVENTION

Multiple-slide die-casting machines are known in the prior art, and they have at least two mold sections carried by shanks that are driven towards and away from each other. Molten metal is injected into the cavity formed between the two mold sections when the two mold sections are in a molding position and restrained together in a preloaded state. An example is described in applicant's U.S. Patent 4,601,323, issued on July 22, 1986. A machine for injection molding or die-casting according to that patent includes a main machine base with an injection unit mounted on the rear face and a mold guideway mounted on the front face. An aperture in the main machine base and a corresponding one in the base of the guideway provide for the nozzle of the injection unit to engage molds carried in the guideway. The reciprocating of the mold sections towards and away from one another is due to the action of a toggle assembly interconnecting mold carrying shanks with compression lever brackets mounted in the ends of the guideway, actuators located centrally of guideway ends and linked to the toggle assembly. Position adjusters are used for adjusting the location of the injection unit on the rear of the machine to position its nozzle relative to the molds.

It is important that the contact surfaces of the mold sections do not move, because they constitute the reference plane of the whole mold assembly. The contact plane is called the main parting line. However, in a preloaded state which is required to prevent the two mold sections from moving back while the pressurized melting metal is injected into the cavity between the mold sections, all the components of the clamping assemblies are stressed by the clamping force. The clamping force causes the table and the brackets which support the clamping assemblies to deflect because in a standard machine the said brackets are outrigged over the base. The pre-load force has to be higher than the reaction force induced by the injection pressure. Therefore, the deflection of the table and brackets caused by the clamping force is not to be ignored, and induces deformation of the mold guiding system which causes a misalignment of mold sections. Excessive wear of the slides and poor quality of molded product, such as flash formed along the parting line of the molded product, result from the base deflection and bracket deflection and mold mismatch.

There is a need for improvement of the structure of the machine to inhibit the deflection of the base in the preloaded state.

Study shows, nevertheless, the base deflection, bracket deflection and mold mismatch induced by the clamping force are not the only reason to produce the flash on the molded product. Hot chamber die-casting machines have traditionally been equipped with open loop control injection system. A key feature of the open loop control is that the pressure and flow rate of the hydraulic fluid supplied to the injection cylinder cannot be varied during the injection

cycle. These parameters can be changed, but are fixed for any given injection cycle.

At the start of the cycle, hydraulic fluid fed to the injection cylinder causes the injection plunger to accelerate rapidly, then travel at approximately constant velocity to fill the cavity between the mold sections with melting metal. Once the cavity of the mold and runner system have been filled, all the moving components of the injection system come to a sudden stop. This results in a rapid increase in metal pressure within the cavity of the mold, called the "hammer effect" which often causes flash on the products. Although the degree of control over the injection process is somewhat limited with an open loop system, it is satisfactory for many applications.

For the past several years, closed loop control of the injection systems has been possible. Examples are described in U.S. Patent 4,660,620, issued to Ozeki on April 28, 1987, and U.S. Patent 5,988,260 issued to Iwamoto et al. on November 23, 1999.

Generally, the pressure and flow rate of the hydraulic fluid supplied to the injection cylinder in a closed loop control are changed during the injection cycle, and follow predetermined velocity and/or pressure profiles, and therefore the injection of the molten metal to the cavity of the mold is controlled in an optimum manner. However, the closed loop control of the injection system is currently used with large, conventional die-casting machines which have a relatively long injection time. That is because the system needs a certain minimum stroke to be able to react on and profile the injection. If a product (cast part) has to be molded which is smaller than one requiring the minimal stroke, it is typical to have to change a

gooseneck of the injection system to install a smaller diameter sleeve and plunger which require a longer stroke to fill the same cavity of the mold. This is not an easy task. A small product can be produced in a very simple manner if the injection system of the machine can be switched from closed loop control to open loop control.

Therefore, there is a need for a multiple-slide die-casting machine which is adapted to change mold control mode easily from a closed loop control to an open loop control for different size products to be molded on the machine.

SUMMARY OF THE INVENTION

An object of the present invention is to provide a multiple-slide die-casting machine which is adapted to produce high quality molded products and eliminate or minimize flash on the products.

Another object of the present invention is to provide a multiple-slide die-casting machine having an improved mechanical structure to inhibit deflection of a base of the machine induced by pressure of clamping assemblies for restraining the slide mold sections together in a preloaded state.

A further object of the present invention is to provide a multiple-slide die-casting machine having a control system which is adapted to be selectable for a closed loop control or open loop control for controlling an injection system of the machine to produce molded products requiring different injection strokes.

It is yet a further object of the present invention to provide a control system for an injection system of a multiple-slide die-casting machine which has a

simple structure to include both closed loop mold control and open loop mold control, and which is user-friendly to switch between the two control modes.

5 A still further object of the present invention is to provide a method for operating an injection system of a multiple-slide die-casting machine in selective control modes to produce molded products requiring different injection strokes to ensure the quality of the products.

10 According to a broad aspect of the present invention, there is provided a multiple-slide die-casting machine including a base, at least a guideway having side walls and two opposed ends mounted on the base, at least two clamping assemblies guided within the respective ends of the guideway for advancing and retracting slide mold sections
15 towards and away from each other, and an injection system for introducing pressurized casting material into a cavity between the slide mold sections when slide mold sections are in a molding position in which the slide mold sections are restrained together in a preloaded state, the multiple-slide
20 die-casting machine comprising at least two brackets supported on the base for operatively securing the respective clamping assemblies, and a reinforcement means for interconnecting the brackets to inhibit deflection of the base and the brackets induced by the force generated by
25 the clamping assemblies for maintaining the preloaded state.

More especially, according to a further broad aspect of the present invention, there is provided a multiple-slide die-casting machine which has a base plate and a guide member mounted on the base plate. The guide
30 member defines two guideways crossing and perpendicular to each other, each guideway having side walls and two opposed ends. A respective clamping assembly is guided within each

of the ends of each guideway for advancing and retracting a slide mold section towards and away from a centre of the guideway. An injection system is provided for introducing pressurized casting material into a cavity between the slide mold sections when the slide mold sections are in a molding position in which the slide mold sections are restrained together in a preloaded state. A respective bracket including a first surface secured to the base plate and a second surface remote from the base plate operatively secures each of the clamping assemblies between the first and second surfaces thereof. Interconnection means interconnects the second surfaces of the brackets so that the respective clamping assemblies are operatively secured between the base plate and the interconnection means, and deflection of the base plate and the brackets induced by the force generated by the clamping assemblies for maintaining the preloaded state is inhibited.

Each of the clamping assemblies preferably comprises a clamping mechanism and a shank having opposed ends. The shank is slidable between the side walls in one of the ends of one guideway, connected at a first end thereof to one of the slide molds and coupled at a second end thereof to the clamping mechanism. The shank is coupled to the clamping mechanism through a ram and a coupling. A respective pair of stops preferably provided between each of the brackets and each of the rams to ensure the precise molding position of the slide mold sections.

Each of the couplings preferably comprises a plurality of pivotal link members adapted to transfer a translation of the clamping mechanism to a translation of the ram and shank while permitting misalignment of the translations being transferred.

Preferably, each of the clamping mechanisms is adjustably secured to a corresponding one of the brackets to ensure the pressure of the clamping assemblies for maintaining the preloaded state, as predetermined.

5 In accordance with another aspect of the present invention, a control system for an injection system of a multiple-slide die-casting machine is provided. The injection system has a hydraulic cylinder for advancing and retracting an injection plunger adapted to introduce a
10 pressurized casting material into a cavity between a plurality of slide mold sections. The control system comprises means for detecting a position of the injection plunger, including at least one position transducer for detecting a predetermined position of the injection plunger
15 where hydraulic cylinder control parameters should be changed from a velocity phase in which a velocity of the injection plunger follows predetermined profiles, to a pressure phase in which a net hydraulic pressure applied to the injection plunger is controlled. A servo valve is
20 provided for controlling a flow rate of hydraulic fluid supplied to the hydraulic cylinder. A controller is adapted to selectively control the hydraulic cylinder through the servo valve in a closed loop control mode and an open loop control mode. In the closed loop control mode the
25 controller receives signals from the position detecting means and sends command signals in accordance with the predetermined velocity profiles to actuate the servo valve accordingly in the velocity phase, and sends command signals in accordance with predetermined pressure profiles to
30 actuate the servo valve accordingly in the pressure phase. In the open loop control mode the controller sends a constant command signal to set a pre-selected flow rate on

the servo valve for the desired velocity of the injection plunger.

A control mode selection valve is preferably provided to be automatically activated only when the open
5 loop control mode is selected to enable a selected reduced pressure pre-set on a pressure reducing valve. A microprocessor and a user interface are preferably provided for programming the velocity and pressure profiles used in the closed loop control mode, and selecting the desired
10 velocity of the injection plunger in the open loop control mode.

In accordance with yet another aspect of the present invention, there is provided a method for operating the injection system of the multiple-slide die-casting
15 machine. The method comprises the steps of advancing the injection plunger to introduce the casting material into the cavity between the slide mold sections in the closed loop control mode when a regular injection stroke is needed to cast a product; and advancing the injection plunger to
20 introduce the casting material into the cavity between the slide molds in the open loop control mode when an injection stroke is needed to cast a small sized product.

The multiple-slide die-casting machine incorporating the invention advantageously provides flash-
25 free castings of improved surface finish by the use of the full clamping capacity of the clamping system and the selective use of the closed loop control and open loop control for the injection system to meet the different requirements of injection for different size products.
30 Other features and advantages of the invention will be better understood with reference to the preferred embodiments described hereinafter.

BRIEF DESCRIPTION OF THE DRAWINGS

Having thus generally described the nature of the invention, reference will now be given to the accompanying drawings, showing by way of illustration a preferred
5 embodiment, in which:

Figure 1 is a partial cross-sectional view of a multiple-slide die-casting machine according to the present invention, with the molds clamping system removed;

10 Figure 2 is an elevational front view of a mold clamping system incorporating a preferred embodiment of the invention, adapted to be mounded on the machine in Figure 1, and a part of the reinforcement ring being cut away, showing a bracket for operatively securing a clamping assembly to the base;

15 Figure 3 is an enlarged segmental view of Figure 2, showing more details of one clamping assembly;

Figure 4 is a top view of the molds clamping system shown in Figure 2;

20 Figure 5 is a front view of the clamping assembly secured by the bracket as illustrated in Figure 2, in an enlarged scale showing an advanced position thereof;

Figure 6 is a front view of the clamping assembly secured by the bracket as illustrated in Figure 2, partially in a cross-sectional view taken along line 7-7 in Figure 4,
25 showing a retracted position thereof;

Figure 7 is the cross-sectional view of the clamping assembly secured by the bracket taken along line 7-7 in Figure 4, showing the advanced position thereof;

30 Figure 8 is a front view of another embodiment of the mold clamping system adapted to be mounted on the machine shown in Figure 1;

- 10 -

Figure 9 is a control functional diagram, illustrating a control system used for controlling the injection cycle of the machine shown in Figure 1;

Figure 10 is a configuration diagram, illustrating the structure of the control system used for controlling the injection cycle of the machine shown in Figure 1;

Figure 11 is a schematic view of an injection cylinder with transducers used in the control system shown in Figure 10; and

Figure 12 is a schematic view of a pump and valve assembly used for the control system illustrated in Figure 10.

DETAILED DESCRIPTION OF THE PREFERRED EMBODIMENT

Referring now to Figure 1, there is shown a machine, generally indicated at 20, for die-casting of products with the mold clamping system removed. The machine 20 incorporates a base plate 22 which is mounted at its lower end to a frame structure 24. The mold clamping system is to be mounted on the front side 26 of the base plate 22 and will be described hereinafter with reference to Figures 2 and 3. An injection system 28 is installed on the rear side 30 of the base plate 22. The injection system 28 generally includes an hydraulic cylinder 32 for advancing and retracting an injection plunger 34 to introduce molten metal into a cavity between the slidable mold sections which are shown in Figures 2 and 4. The injection plunger 34 is slidable in a sleeve 36 supported in a gooseneck 38 which both are adapted to be immersed in the molten metal contained in a melting pot 40. The melting pot 40 is supported on the frame structure 24. The sleeve 36 is in fluid communication with a passage 42 extending through the

gooseneck 38. The gooseneck 38 extends through an opening 44 in the centre of the base plate 22. A nozzle 46 is connected to the passage 42 and is aligned with and connected to an inlet of the mold when the mold is in a molding position so that the molten metal in the sleeve 36 is forced by the injection plunger 34 through the passage 42 and the nozzle 46 into the cavity of the molds. The general structure of the injection system is well known in the art and will not be further described in detail.

10 In Figures 2 through 4, there is shown a mold clamping system generally indicated at 50 and which is supported on the front side of the base plate 22. The mold clamping system 50 includes four clamping assemblies 52a, 52b, 52c and 52d acting on each of the four mold sections 15 54a, 54b, 54c and 54d. Each individual clamping assembly with its associated mold section is called a function or slide. Usually for a typical molding application, the mold clamping system 50 includes a main clamping pair of functions and a pair of core functions. After the main 20 clamping pair of functions are closed, the core functions are then closed in order to place the mold sections in a molding position. In the embodiment of the invention shown in Figure 2, the main clamping pair of functions are clamping assembly 52a with mold section 54a, and clamping 25 assembly 52b with mold section 54b; and the core functions are the clamping assembly 52c with mold section 54c and the clamping assembly 52d with mold section 54d. The functions are actuated in a sequence and a typical closing sequence is mold section 54b, mold section 54a, mold section 54c and 30 mold section 54d.

When the mold sections 54a, 54b, 54c and 54d are closed, the functions are preloaded and all the components

- 12 -

of the clamping assemblies 52a, 52b, 52c and 52d are stressed to prevent the mold sections from moving back when the pressurized melting metal is injected into the cavity between the mold sections. It is important that the contact surfaces of the two main mold sections 52a and 52b do not move because it constitutes the reference plane of the whole mold assembly. The contact plane is called the main parting line. As shown in Figure 3, the clamping assemblies are mounted on the base plate 22, the centre line of the mold being higher than the centre line of the base plate 22 so that the clamping force will cause the base plate 22 to bend. In a standard multiple-slide machine, the deflection of the base plate is not to be ignored because the pre-load force has to be higher than the reaction force induced by the injection pressure which may be in several dozen of tons. Therefore, a reinforcement flat ring 56 is bolted to the mold clamping system 50, interconnecting the individual clamping assemblies 52a, 52b, 52c and 52d to inhibit the deflection of the base plate 22.

For a detailed description of the clamping assemblies, the clamping assembly 52a is illustrated in detail in Figure 3. The mold section 54a is connected to a first end of a shank 58 which is connected at a second end thereof to a ram 60. The shank 58 is slidable in a guide member 62 which is illustrated as a whole in Figure 2. The guide member 62 defines two guideways 64a and 64b crossing and perpendicular to each other. The shank 58 is slidably guided between two wearing plates 66 in one end of the guideway 64a. Each of the wearing plates 66 is adjusted by a stop pin and a set screw which are adjustably secured in the guide member 62.

A U-shaped bracket 72 including a first surface 73 secured to the base plate 22 and a second surface 75 remote from the base plate 22, as shown in Figure 4. The flat ring 56 is connected to the second surface 75 of the bracket 72 so that the clamping assembly 52a is operatively secured between the base plate 22 and the flat ring 56.

In Figures 5 through 7, the ram 60 extends through a centre opening 74 in the bracket 72 and connected to a clamping mechanism 78, such as a toggle, hydraulic cylinder or any alternate force generating device. The ram 60 has a head portion 80 including two opposed sides to which two wearing plates 82 are attached respectively. The two wearing plates 82 are in contact with and guided by the U-shaped bracket 72 when the ram 60 is axially moved with respect to the bracket 72. A pair of stops 84 are provided on the head portion 80 of the ram 60, and a pair of stops 86 on the bracket 72. The mold section 54a stops in its advancing movement when the stops 84 abut the stops 86 to insure an accurate molding position of the mold section 54a. More importantly, with such an arrangement a substantial portion of the clamping force is applied to the bracket 72 rather than the guide member 62 so that the preloaded state will not affect the accuracy of the guide system. The clamping mechanism 78 is adjustably secured to the bracket 72 using a pair of tie-bars 88, retaining nuts 90 and jam nuts 92.

The clamping mechanism 78 is now described in detail. A group of triangle link plates 94, spaced apart from each other, are provided at each side of the clamping mechanism 78, but only one at each side is shown. The triangle link plates 94 at each side is pivotally mounted by a pin 96 to a stationary part of the clamping mechanism 78.

A group of elongated link members 98 are pivotally connected at one end thereof by a pin 100 to a moving part of a clamping mechanism 78 and pivotally connected at the other end thereof by a pin 102 to the respective triangle plates 5 94. Similarly, a group of elongated link members 104 are pivotally connected at one end thereof by a pin 106 to the respective triangle link plates 94 and are pivotally connected at the other end thereof by a pin 108 to the head portion 80 of the ram 60. With such an arrangement, when 10 the moving part of the clamping mechanism 78 advances or retracts, the link members 98 transfer the translation of the moving part of the clamping mechanism 78 to a rotation of the triangle link plates 94 about the pin 96, while the link members 104 translate the rotation of the triangle link 15 plates 94 to a translation of the ram 60. Figures 5 and 7 show the ram 60 in an advanced position and Figure 6 shows the ram 60 in a retracted position. The translation of the moving part of the clamping mechanism 78 is permitted in misalignment from the translation of the shank 58 through a 20 coupling member 76' (see Figure 2) which is secured to the ram 60.

Stops 84 and 86 must be adjusted when the mold has been changed for different products. The clamping mechanism 78 and the ram 60 are positioned in the retracted position. 25 The shank 58 is placed between the wearing plates 66 in the one end of the guideway 64a of the guide member 62. The shank 58 is fastened to the ram 60 with two bolts 110 (see Figure 3). A cover plate (not shown) is assembled on the guide member 62 to cover the guideways. With the jam nuts 30 92 loosened, the clamping mechanism 78 is manually displaced by sliding it on the tie bars 88, to position the mold section 54a at desired locations with other mold sections.

This procedure is effected with the ram 60 in an advanced position. The jam nuts 92 are then tightened. The distance between the ram stops 84 and the bracket stop mounting surface 112 (see Figures 6 and 7) is measured. There is an opening 114 (see Figure 2) in the reinforcement flat ring 56 to do this. The bracket stops 86 are precisely ground to the measured thickness. The clamping mechanism 78 is actuated to the retracted position and the bracket stops 86 are installed to a stop mounting surface 112 of the bracket 72. Finally, the retaining nuts 90 and the jam nuts 92 are tightened. The accurate molding position of the mold section is insured after the stops 86 are adjusted. Similar procedures are applied to adjust the stops of the other main function and the core functions for the accurate molding position of the corresponding mold sections.

The clamping force for the preloaded state also needs to be adjusted before a casting cycle begins. The retaining nuts 90 and the jam nuts 92 are loosened when the clamping mechanism 78 is in the retracted position. The clamping mechanism 78 is brought forward by turning the retaining nuts 90 manually, both the retaining nuts 90 on the two tie bars 88 being turned equally. The clamping mechanism 78 is then actuated with the ram stops 84 and bracket stops 86 in contact. The clamping force amount indicated by the load indicators (not shown) at the end of the tie bars 88 is carefully checked to ensure that the two readings are equal. If the two readings are not equal, the clamping mechanism 78 should be returned to the retracted position and the retaining nuts 90 are readjusted until the two readings are equal. The above procedure is repeated step-by-step until the desired clamping force is obtained. Finally, the jam nuts 92 are tightened with the clamping

mechanism 78 in the clamped position where the stops 84, 86 are in contact. The clamping force of the other main function and the two core functions are adjusted in a similarly manner. The clamping force for the core functions usually is much smaller than the clamping force for the main functions.

It is noted that the clamping force must be adjusted greater than the minimum value required for flash-free molding without exceeding predetermined maximum levels.

10 In Figure 8, another embodiment of the clamping system 120 is illustrated. The clamping system 120 works on the same principle as the clamping system 50, and has a similar structure as the clamping system 50 except that there are no tie-bars. The clamping assembly 122 is directly mounted on the bracket 128 and is arranged differently, simple link assembly instead of a multiple link assembly. An adjusting mechanism (not shown) is provided between the bracket and clamping assembly to adjust the clamping force. It is more convenient to provide a frame structure to pivotally support the base member 22, similar to the configuration illustrated in Figure 1.

The structures and functions of the clamping system 120 are similar to those of the clamping system 50 and will not further be described to avoid redundancy, and only the clamping assembly 122, with associated elements, is briefly described below.

The clamping actuator 124 is pivotally mounted by a pin 126 to the bracket 128. An elongated link member 130 is pivotally connected at one end thereof by a pin 132 to the shank 134 and is pivotally connected at the other end by a pin 136 to the moving part of the clamping actuator 124. An elongated link member 138 is pivotally connected at one

- 17 -

end thereof by pin 140 to the middle portion of the link member 130 and pivotally connected at the other end thereof by a pin 142 to a member which (not shown) is in a relatively fixed but adjustable relation to the bracket 128.

5 When the moving part of the clamping actuator 124 is advanced or retracted along its centre line, both the clamping actuator 124 and the link member 130 are forced to rotate in opposite direction about the respective pins 126 and 132. The rotation of the link member 130 also forces

10 the link member 138 to rotate about the pin 142 in an opposite direction so that the shank 134 is forced in translation along its centre line because the pin 142 is in a fixed relation with the bracket 128. A stop member 144 is adjustably mounted to the bracket 128 to stop the rotation

15 of the link member 130 when the shank 134 moves the mold section 54a in the molding position. A screw knob 146 is operatively secured on the bracket 128 and adapted to adjust the position of the pin 142 relative to the bracket 128 so that the clamping force can be adjusted.

20 The injection system 28 of the machine 20 shown in Figure 1 is controlled by a unique control system which is adapted to be selectable for an open loop control mode or a closed loop control mode. The system is adapted to be switched from one mode to the other depending on the type of

25 mold being installed on the machine. If the product to be molded needs a short injection stroke, a closed loop can be very difficult and sometimes impossible to adjust. That is where the open loop control mode can be selected, and adjusted to control the injection cylinder in a very simple

30 way. The selection is not automatic. It is the user who decides which control mode will be used for which mold. The control system also controls the functions of the mold

clamping system as described above. However, the novel and inventive features of the present invention relates to the control of the injection cycle, and particularly to the selection of an injection control mode depending on the type of product to be molded. Therefore, the description of the control system will only be focused on the functional features and hardware for the injection system. All molding sequences and injection parameters are selected and then saved on the local hard disk of the computer so that they can be retrieved later for production.

In Figure 9 there is shown a function control block diagram illustrating the function of the control system for the injection system shown in Figure 1. Generally, a closed loop control system uses a measurement of the output and feeds back this signal to compare it with the command. The closed loop control is composed of a velocity phase and a pressure phase. The transition from the velocity phase to the pressure phase is based upon a position called the switch point.

During the cavity fill phase in which the molten metal is injected into the cavity of the mold and the cavity has not been fully filled, the velocity of the injection plunger 34 is controlled to give the best filling characteristics for the mold. Three variable velocity profiles can be programmed through an operator input as indicated in block 200. A hold command in block 200 is executed immediately before the closed loop velocity control is initiated, which is achieved through a programmable delay shown in block 201 controlling a software switch 202. The programmable delay 201 accounts for the changes in the hydraulic system pressure due to the opening of a cartridge

- 19 -

valve which controls the hydraulic fluid supply to the hydraulic cylinder 32 in Figure 1.

The cylinder piston position (or the position of the injection plunger 34) is differentiated by a velocity estimator indicated in block 206 to obtain the cylinder velocity. This velocity is compared to the demand velocity and the error is minimized by the control algorithm. The closed loop velocity control algorithm includes a velocity feed forward term shown in block 208 and the closed loop PID terms as indicated by the blocks 210, 212 and 214. The feed forward term 208, based on a pre-constructed valve signal and a corresponding flow gain curve, compensates the system for velocity demand setpoint changes. Letter P in block 210 stands for velocity loop proportional gain, I in block 212 for velocity loop integral gain and D in block 214 stands for velocity loop derivative. The closed loop PID terms are used to reduce steady state errors and control the system transit response. The "difference pressure" block 216 calculates the difference between the bore pressure and the rod pressure of the injection cylinder (net pressure). The net pressure is differentiated by block 218 and the value inserted in a summing junction block 242, to increase the command to the servo-valve 204. This compensates for the increase in metal pressure during filling of the cavity. Without such compensation, the injection plunger would slow down.

During a compaction phase which begins at the moment when the cavity of the mold is just fully filled with the molten metal and pressure of the molten metal begins to build up, the injection piston of the hydraulic cylinder is controlled in the pressure mode, and decelerated rapidly to greatly reduce the hammer effect. This is achieved without

- 20 -

increasing injection cycle time. Two variable pressure profiles can be programmed as indicated in block 220.

The two separate, programmable pressure demands are related to a corresponding switch point based on time (not shown). The closed loop pressure control algorithm includes a feed forward term, shown in block 222 and closed loop PID terms 224, 226 and 228. The feed forward term 222 based on a pre-constructed valve signal and corresponding pressure gain curve, compensates the system for pressure demand setpoint changes. The closed loop PID terms 224, 226 and 228, standing for pressure loop proportional gain, pressure loop integral gain and pressure loop derivative respectively, are used to reduce steady state errors and control the system transient response. A difference in pressure shown in block 230 between the rod pressure and the bore pressure of the hydraulic cylinder is used as feedback to the closed loop pressure algorithm to be compared with the pressure demands, and the errors are minimized by the algorithm. Velocity feedback indicated by block 232 is also used in the pressure phase.

The transition from the closed loop velocity phase to the closed loop pressure phase is made in a repeatable, controlled manner in order to achieve optimal, stable system performance, resulting in premium product quality. The transition is based on a position setpoint shown in block 234 to trigger the switching from the velocity phase to the pressure phase as indicated in block 236.

In both velocity and pressure phases, the injection plunger 34 is actually controlled in real time, by frequent comparison of actual values with required values, and precise control of the outflow of a hydraulic fluid from the injection cylinder.

The closed loop control permits maximum use to be made of the power of the injection system, while minimizing flash. It can also eliminate the costly secondary operation of trimming to remove flash. For example, high injection pressures and velocities are required to fill products that are to be plated. With open loop control, such velocities and pressures result in large spikes in metal pressure during the compaction phase, which can cause serious flash. The pressure spike also limits the useable surface area of the mold because it limits the size of the product and/or number of cavities that can be cast.

Set-up of the closed loop control system according to the present invention is user friendly. The switch over point from velocity phase to pressure phase is initially based on theoretical shot weight, then fine tuned by taking a few trial shots and observing the pressure and displacement profiles during compaction.

All settings of the closed loop injection system for any given mold can be saved on the hard disc of the die-casting machine control unit, along with mold sequence. A Maximum Net Pressure Error is monitored during the velocity phase of the injection cycle and can generate an alarm message in the control system. This indicates that too much pressure has been required to fill the cavity of the mold in the velocity phase. It can be caused by a nozzle temperature setpoint being too low.

In the open loop control mode, the cylinder piston moves relatively constant in accordance with a constant command from block 200 sent to the servo valve 204. The demand velocity in a percentage form is sent from a PC to a controller which will be described hereinbelow with

- 22 -

reference to Figure 10, and then the injection-down command is sent to start the motion.

The programmed velocity PID terms, feed forward terms, ramps and the pressure loop are not used. Only a
5 single voltage command is sent to the servo valve 204. The selection for the open loop control or the closed loop control is manually done as illustrated in the blocks 238 and 240.

Retraction velocity is also performed in open
10 loop, predetermined and input by the operator as shown in block 200. The open loop control mode is particularly used when a small product is cast because the injection system needs a certain minimum of stroke to be able to react on and profile the injection when the closed loop control mode is
15 used. When a small product has to be cast on the machine, requiring an injection stroke smaller than the minimal stroke, the operator can simply switch the injection system from the closed loop control mode to the open loop control mode, instead of having to proceed with effecting a major
20 change to the gooseneck to install a smaller diameter sleeve which will require a longer stroke to fill the same product. This advantage compared to conventional machine allows the machine to be more flexible in operation. As shown in Figure 12, when the open loop control mode is activated, the
25 solenoid valve 242 is automatically activated to enable the reduced injection pressure pre-set on a pressure reducing valve 244. The solenoid valve 242 is deactivated in the closed loop control mode and the hydraulic fluid is supplied to the injection system under full pump pressure, which is
30 manually adjusted by a pump pressure regulator 246 mounted on the pump 248. The pump 248 is driven by a motor 250'. The reduced injection pressure set on the pressure reducing

valve 244 for the open loop control mode is adjusted manually only before an injection cycle begins.

The open loop control mode is also used for linear transducer calibration. If a sequence is programmed in the closed loop control mode, the injection system is automatically changed to the open loop control mode when the linear transducer calibration procedure begins. This permits easy calibration by the operator without requiring the use of special voltage generator typically needed to move the injection cylinder.

The open loop control mode can be used as a manual mode. If a sequence is programmed in the closed loop control mode, the injection system is automatically changed to the open loop control mode when actuating a manual mode window in the system. This permits the movement of the injection cylinder with a known open loop command. In the manual mode the closed loop control mode is not used because the physical state of the injection could be different from the injection in real production. Open loop command insures that a stable and a known command be applied constantly to the valve, which is not the case in the closed loop. This feature provides security to the operation of the injection system and the machine as a whole.

Figure 10 illustrates the main elements of the control system which includes the injection machine 250, a controller 252 that is programmable servo controller (PSC) card, the industrial PC 254 and a user interface device 256 attached thereto.

The industrial PC 254 is hooked to the controller 252 by interface 258, and to the injection machine 250 through the output and input device 260. The primary task of the industrial PC 254 is to interact with the user

- 24 -

through the user interface 256 that is a video monitor and a keyboard, to get and show all of the system parameters that are used to control the machine 250. There are two software components running in the memory of the industrial PC 254.

5 The first is an interface written in Visual Basic[®], permitting the user to adjust the parameters that control the machine. There are three families of the parameters which include the mold sequence and the timing, such as order of closing and opening, injection parameters, such as

10 velocities and pressures, and general machine parameters, such as greasing system, timeouts, etc. These parameters are written to the second software component, the real time dynamic link library (DLL) written in Visual C[®]. This software is actually running the machine and is time

15 critical. It is interrupt driven, which means that there is a specific number of events per time unit. In this case the frequency of event is one kilohertz. The real time DLL is also giving back collected and calculated data from machine sensors that are shown in block 250.

20 The injection parameters sent from the industrial PC 254 take a different path. They are sent to the controller 252, the PSC control card. The data are exchanged between the industrial PC 254 and the controller 252 by the interface 258 which is a serial link, RS232/RS-

25 485 interface. Data go both ways so that the industrial PC 254 is always aware of the controller state. The controller 252 has a specific role to manage the injection system. The controller 252 permits the control of the hydraulic cylinder 32 of Figure 1 in either open or closed loop and in a very

30 precise manner. The controller 252 controls the fast response time servo valve 204, shown in Figure 9, using three sensors, as shown in Figure 11, that include a

position transducer 262 to give feedback of the position of the piston of the cylinder 32, and bore and rod pressure transducers 264 and 266 to give the pressures from both side of the hydraulic cylinder 32.

5 A special injection manifold, as indicated by block 250, is included in the control system to provide a hydraulic circuit for delivering the hydraulic fluid to the hydraulic cylinder and other hydraulic devices to achieve the hydraulic control function illustrated in Figure 9.

10 The fast response servo valve 204 of Figure 9 is included in the block 250 in Figure 10. The servo valve generally includes a main stage spool, position transducer and a pilot valve. A position control-loop for the servo valve is enclosed by the integrated electronics. An
15 electronic command signal such as a flow rate setpoint is applied to the integrated position controller in the valve which drives the current in the pilot valve coil. The position transducer measures the position of the main stage spool, and the signal is demodulated and fed back to the
20 controller of the valve where it is compared with the command signal. The controller drives the pilot valve until the error between the command signal and feedback signal is zero. Thus the position of the main stage spool is proportional to the electric command signal. The servo
25 valve is also equipped with a fail-safe valve for providing a safe metering spool position in order to avoid potential damage.

 It is noted that the particular structure of the servo valve is not part of the inventive features of the
30 invention, and any type of servo valve could be suitable if it meets with the above described general features of the

valve and the requirement for the control functions illustrated in Figures 9 and 10.

It is to be understood that the invention is not limited to the illustrations described and shown herein,
5 which are deemed to be merely illustrative of the best modes of carrying out the invention, and which are susceptible to modification as to form, size, arrangement of parts and details of configuration. The invention rather is intended to encompass all such modifications which are within its
10 spirit and scope as defined by the claims.

CLAIMS:

1. A multiple-slide die-casting machine including a base, at least a guideway having side walls and two opposed ends mounted on the base, at least two clamping assemblies
5 guided within the respective ends of the guideway for advancing and retracting slide mold sections towards and away from each other, and an injection system for introducing pressurised casting material into a cavity between the slide mold sections when the slide mold sections
10 are in a molding position in which the slide mold sections are restrained together in a preloaded state, the multiple-slide die-casting machine comprising:

at least two brackets supported on said base for operatively securing the respective clamping assemblies, and
15 a reinforcement means for interconnecting said brackets to inhibit deflection of said base and said brackets induced by the force generated by said clamping assemblies for maintaining the preloaded state.

2. A multiple-slide die-casting machine as claimed in
20 claim 1 wherein said base comprises a base plate for supporting the respective brackets at a first side, said reinforcement means is a reinforcement member being spaced apart from said base plate to connect said respective brackets at a second side so that the respective clamping
25 assemblies are operatively secured between said base plate and said reinforcement member.

3. A multiple-slide die-casting machine as claimed in claim 2 wherein said reinforcement member is a flat ring parallel to said base plate.

4. A multiple-slide die-casting machine as claimed in claim 1 wherein each of said clamping assemblies comprises a clamping mechanism and a shank, said shank being slidable in one of the ends of the guideway, connected at a first end to one of the slide mold sections and coupled at a second end to said clamping mechanism.

5. A multiple-slide die-casting machine as claimed in claim 4 wherein said shank is coupled to said clamping mechanism through a ram and a coupling mechanism.

10 6. A multiple-slide die-casting machine as claimed in claim 5 wherein a respective pair of stops are provided between each of said brackets and each of said rams to ensure the precise molding position of the slide mold sections and to permit a substantial portion of the clamping force to be applied to said brackets to achieve pre-loading of said clamping assemblies.

7. A multiple-slide die-casting machine as claimed in claim 1 wherein each of said clamping assemblies is adjustably secured to a corresponding one of said brackets to ensure the necessary pressure of the clamping assemblies for maintaining the preloaded state.

8. A multiple-slide die-casting machine as claimed in claim 1 wherein said injection system comprises an injection plunger advanceable and retractable by an hydraulic cylinder, and a control system having a closed loop control mode for selective use to control an operation of a hydraulic cylinder during an injection cycle from a velocity phase in which the velocity of the injection plunger follows a predetermined profile, to a pressure phase in which a net

hydraulic pressure applied to the injection plunger is controlled.

9. A multiple-slide die-casting machine as claimed in claim 8 wherein the control system further has an open loop control mode for selective use to control the operation of the hydraulic cylinder with a pre-set pressure and a flow rate of hydraulic fluid supplied to the hydraulic cylinder.

10. A multiple-slide die-casting machine as claimed in claim 9 wherein the control system comprises a control mode selection valve which is automatically activated to enable the pre-set pressure set on a pressure reducing valve only when the open loop control mode is selected.

11. A multiple-slide die-casting machine as claimed in claim 9 wherein the control system comprises at least a position transducer for detecting a pre-set position of the injection plunger and generating a signal to start a transition from the velocity phase to the pressure phase.

12. A multiple-slide die-casting machine comprising:
a base plate;
a guide member, defining two guideways crossing and disposed perpendicular to each other, each guideway having side walls and two opposed ends;
a respective clamping assembly guided within each of the ends of each guideway for advancing and retracting a slide mold section towards and away from a centre of the guideway;
an injection system for introducing pressurised casting material into a cavity between the slide mold sections when the slide mold sections are in a molding

- 30 -

position in which the slide mold sections are restrained together in a preloaded state;

a respective bracket including a first surface secured to said base plate and a second surface remote from said base plate, operatively securing each of said clamping assemblies between said first and second surfaces thereof; and

interconnecting means for interconnecting said second surfaces of said brackets so that the respective clamping assemblies are operatively secured between said base plate and said interconnecting means and deflection of said base plate and said brackets induced by force generated by said clamping assemblies for maintaining the preloaded state is inhibited.

13. A multiple-slide die-casting machine as claimed in claim 12 wherein said interconnecting means is a flat interconnecting ring.

14. A multiple-slide die-casting machine as claimed in claim 13 wherein each of said clamping assemblies comprises a clamping mechanism and a shank having opposed ends, the shank being slidable between the side walls in one of the ends of one guideway, and connected at a first end thereof to one of the slide mold sections and coupled at a second end thereof to the clamping mechanism.

15. A multiple-slide die-casting machine as claimed in claim 14 wherein said shank is coupled to said clamping mechanism through a ram and a coupling.

16. A multiple-slide die-casting machine as claimed in claim 15 wherein said coupling comprises a pivotal coupling

member adapted to transfer a translation of said clamping mechanism to a translation of said shank and to compensate for any misalignment between said clamping mechanism and said shank.

5 17. A multiple-slide die-casting machine as claimed in claim 15 wherein a respective pair of stops are provided between each of the brackets and each of the rams to ensure the precise molding position of the slide mold sections and to permit a substantial portion of the clamping force to be
10 applied to said brackets to achieve pre-loading of said clamping assemblies.

18. A multiple-slide die-casting machine as claimed in claim 13 wherein each of said clamping assemblies is adjustably secured to a corresponding one of said brackets
15 to ensure the desired force generated by the clamping assemblies for maintaining the preloaded state.

1/12

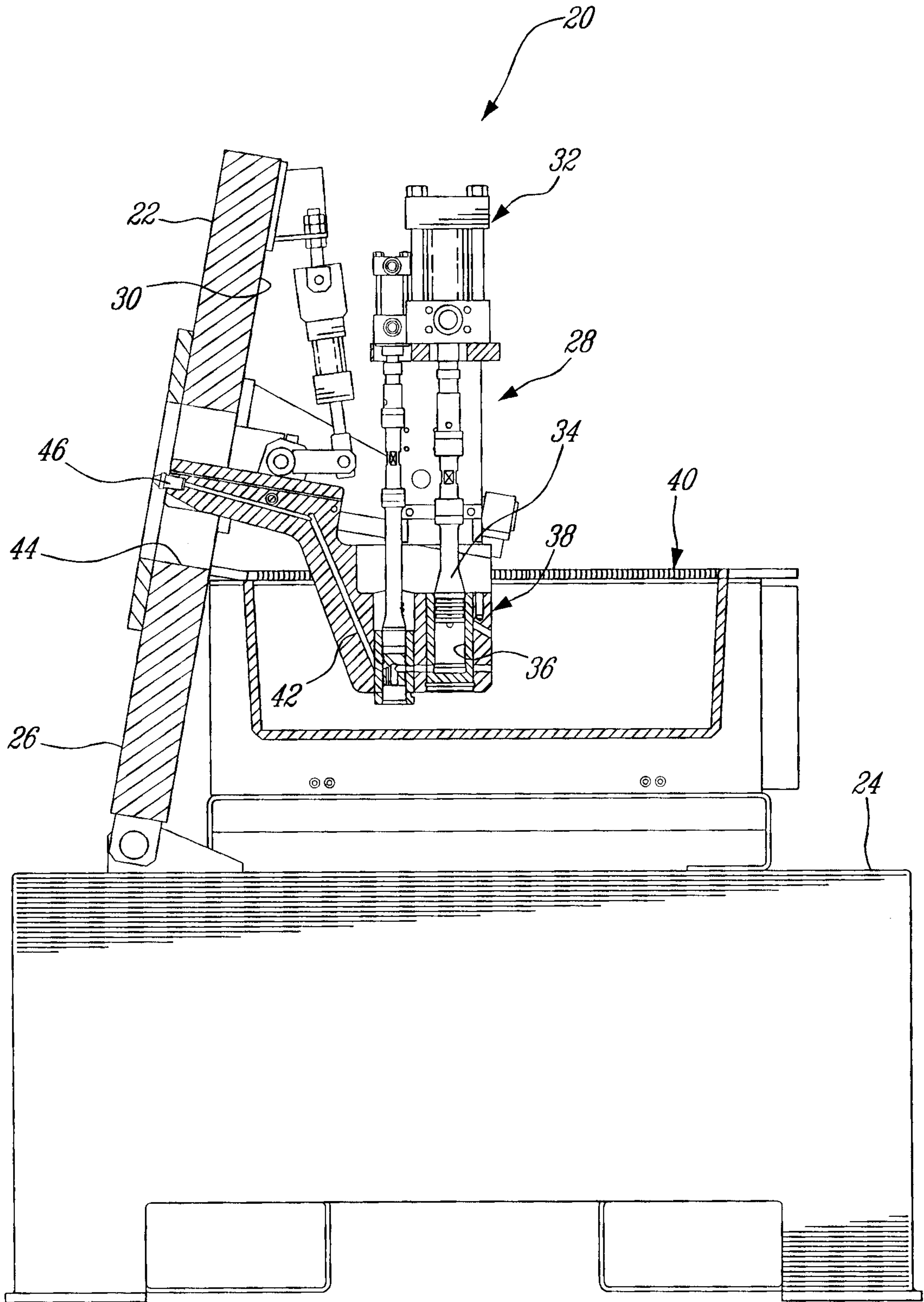


FIG. 1

2/12

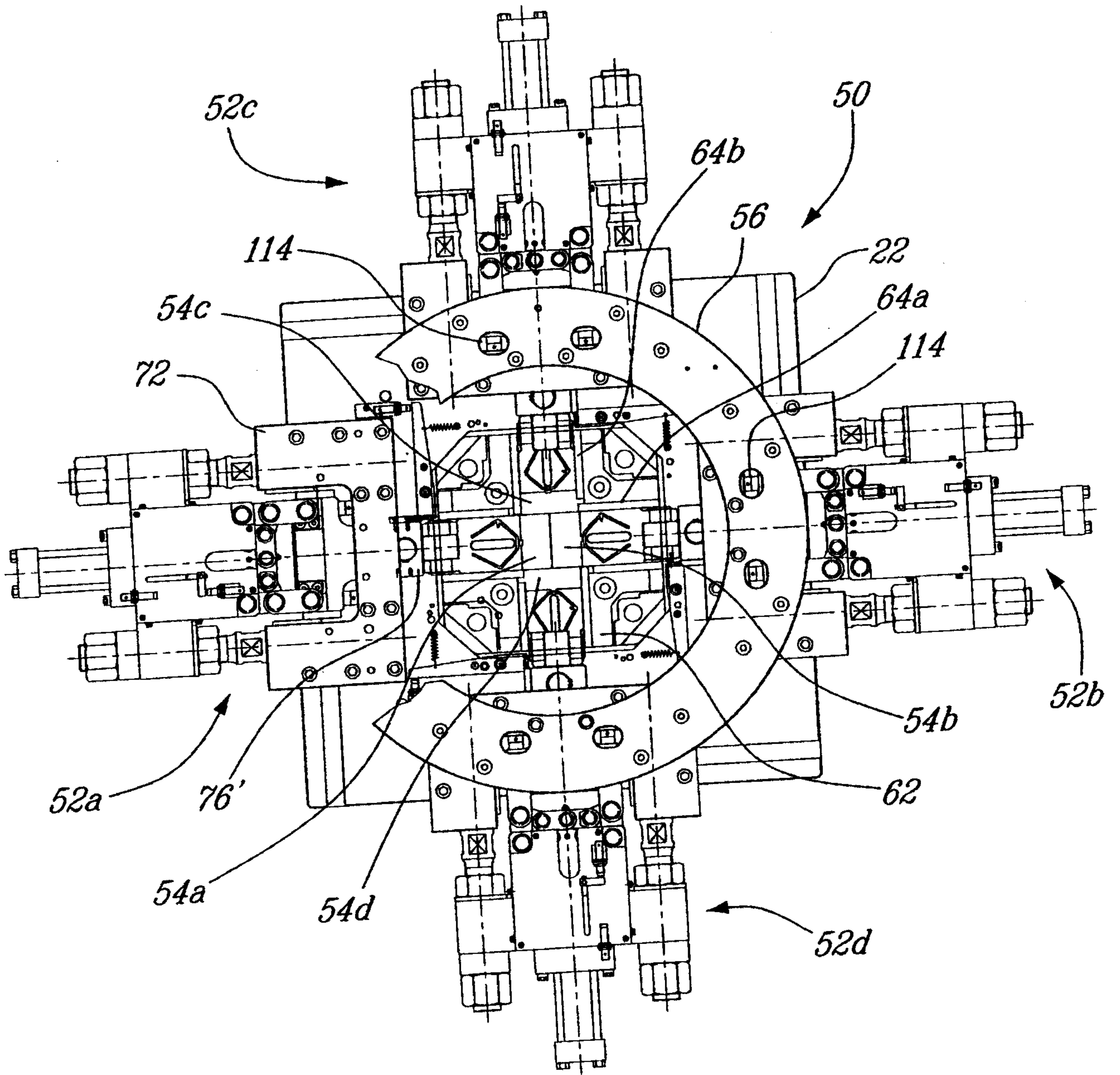


FIG. 2

3/12

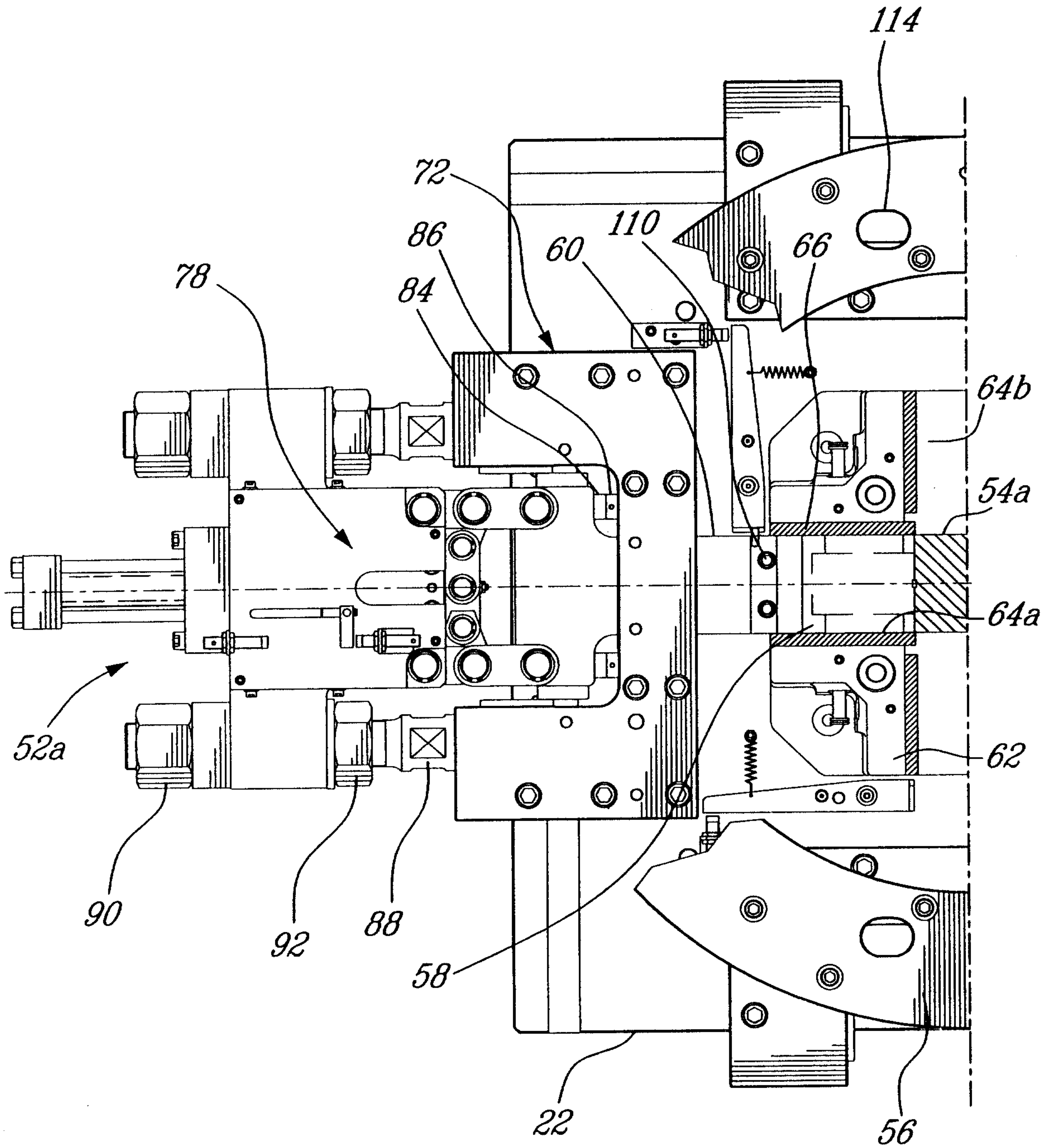


FIG. 3

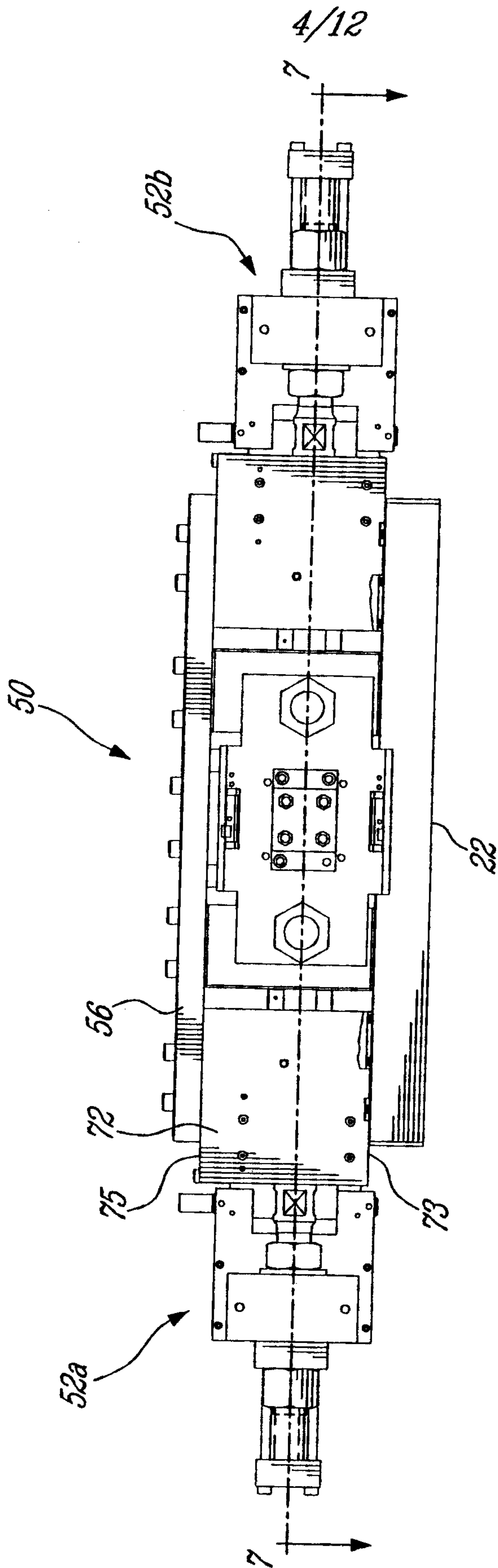


FIG. 4

5/12

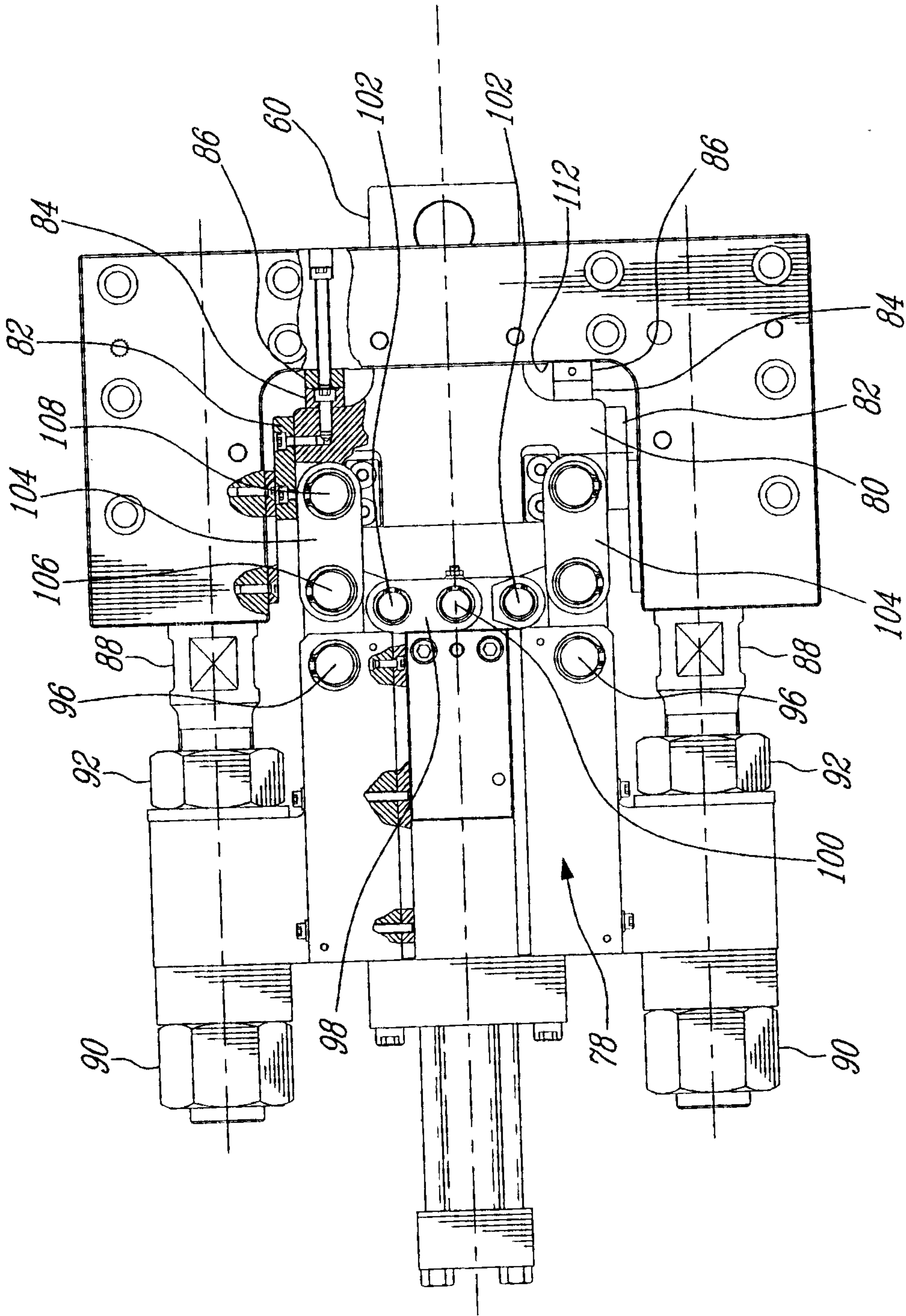


FIG. 5

6/12

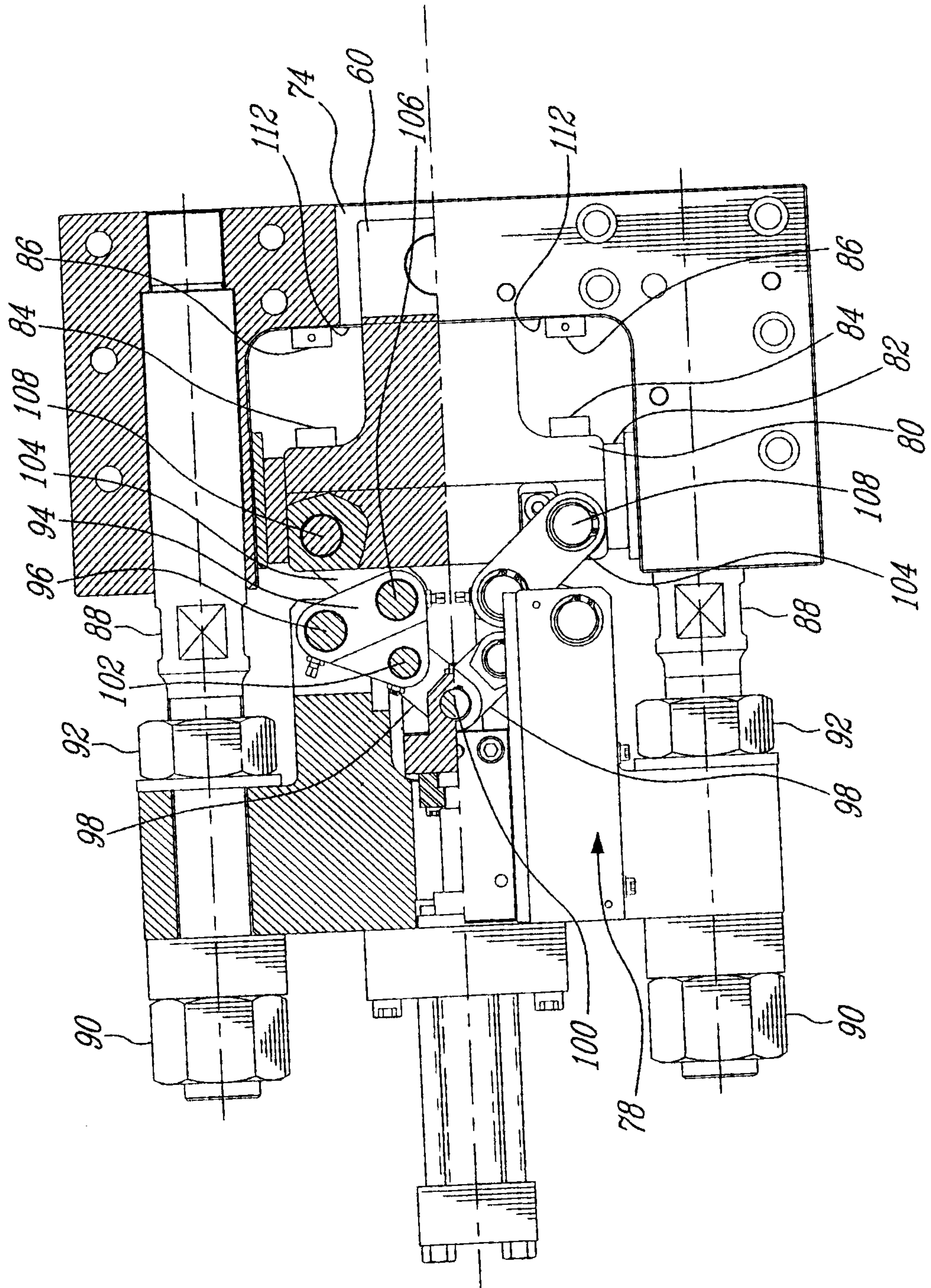


FIG. 6

7/12

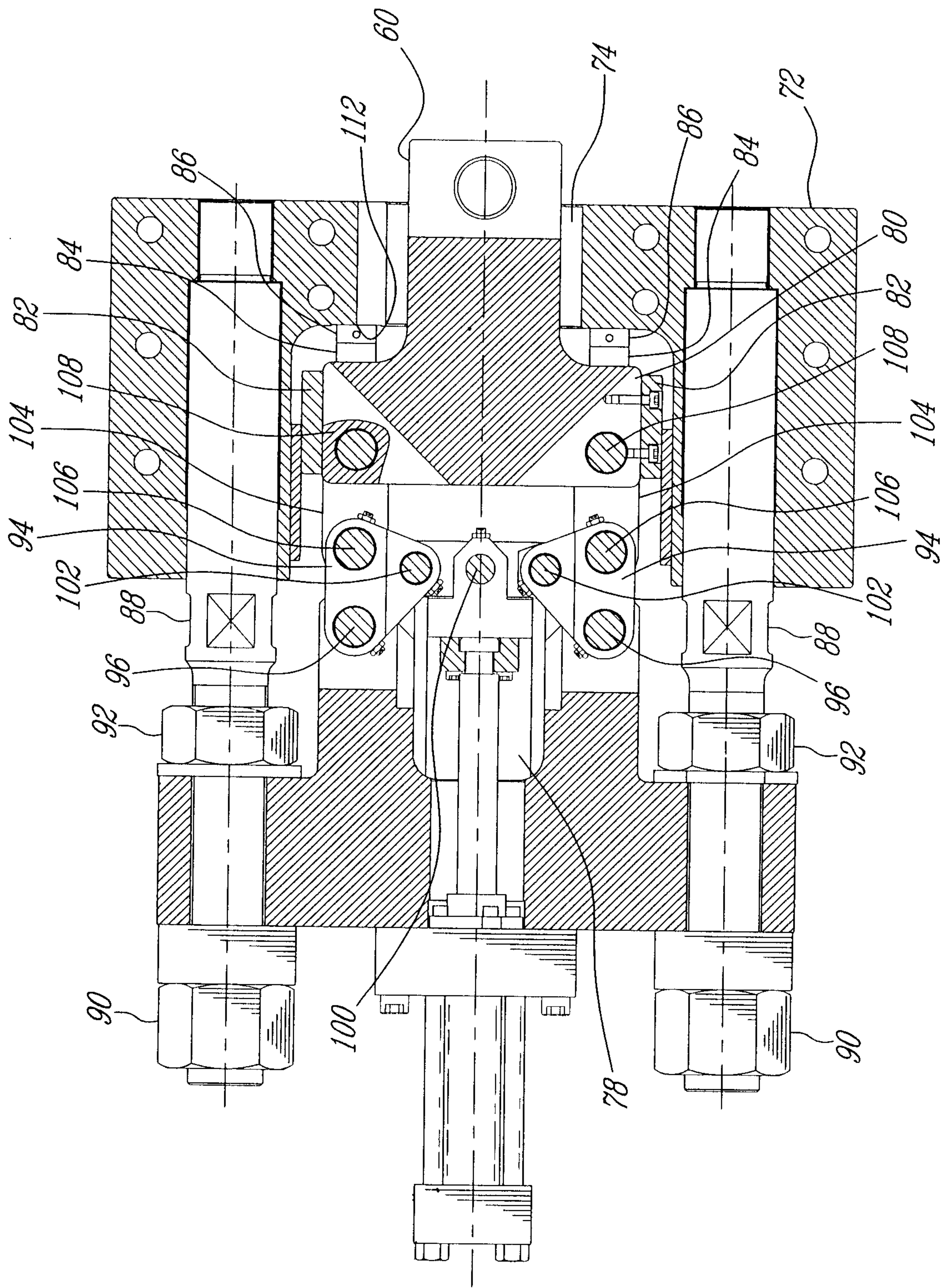


FIG. 7

8/12

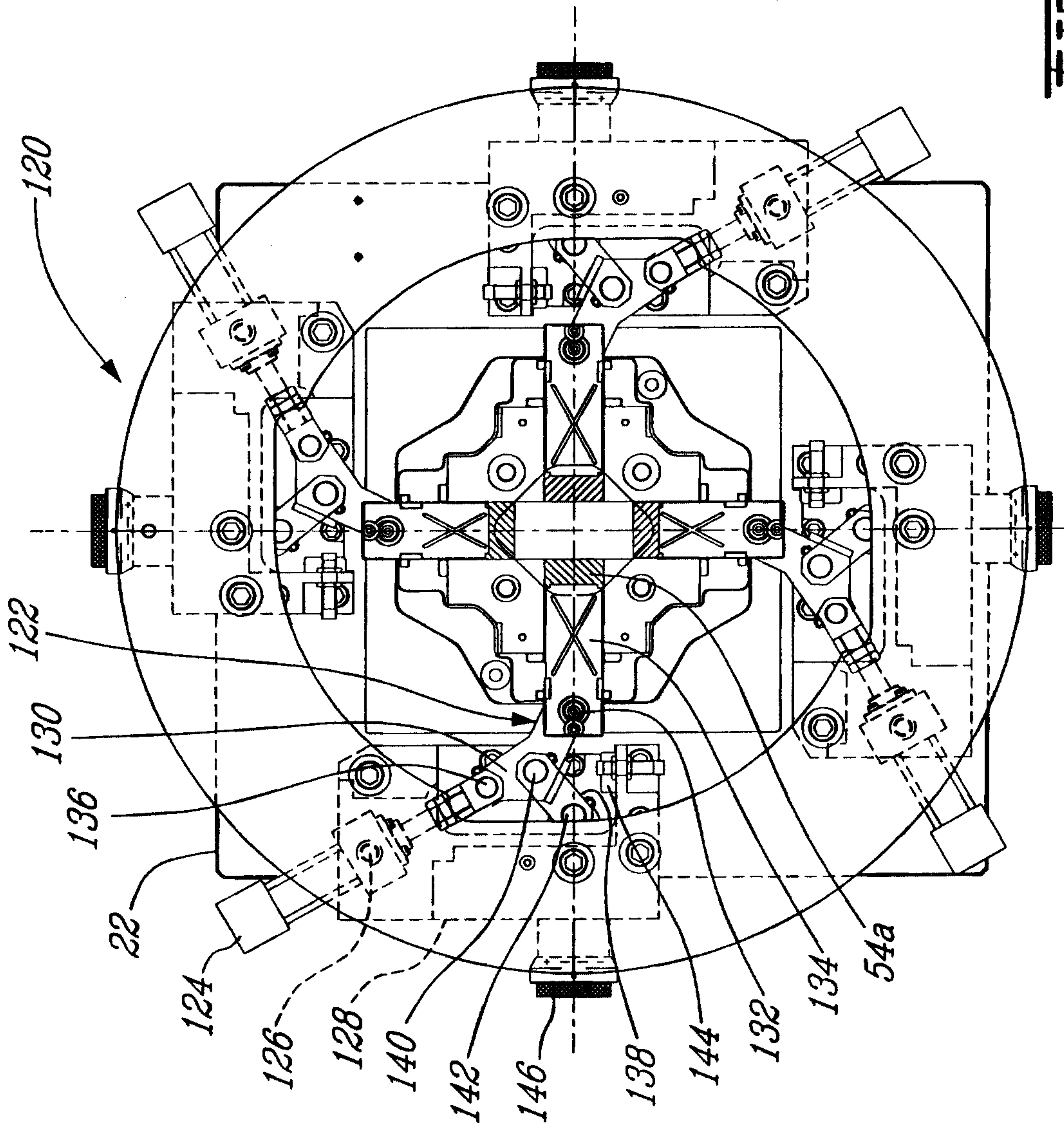


FIG. 8

10/12

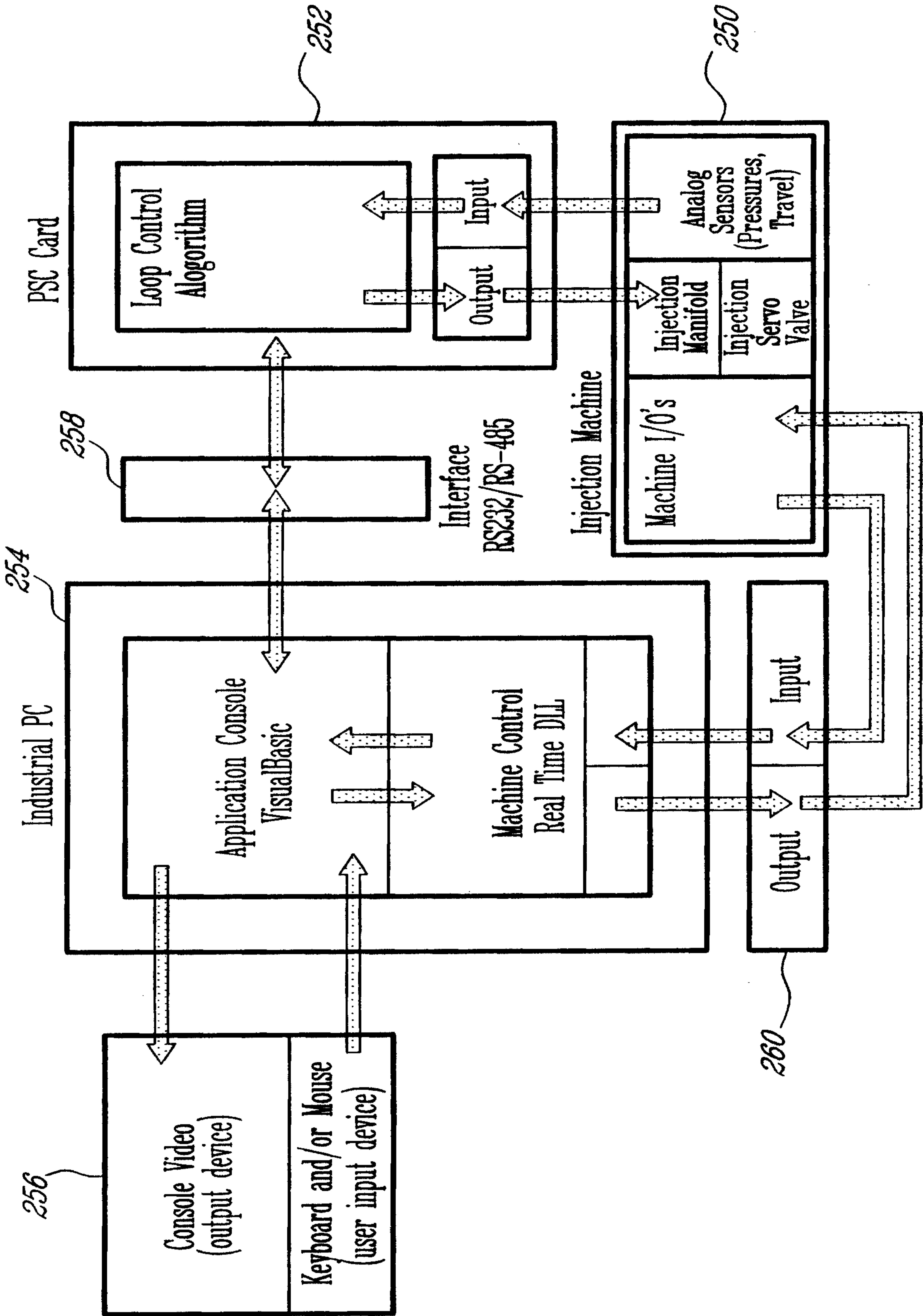


FIG. 10

11/12

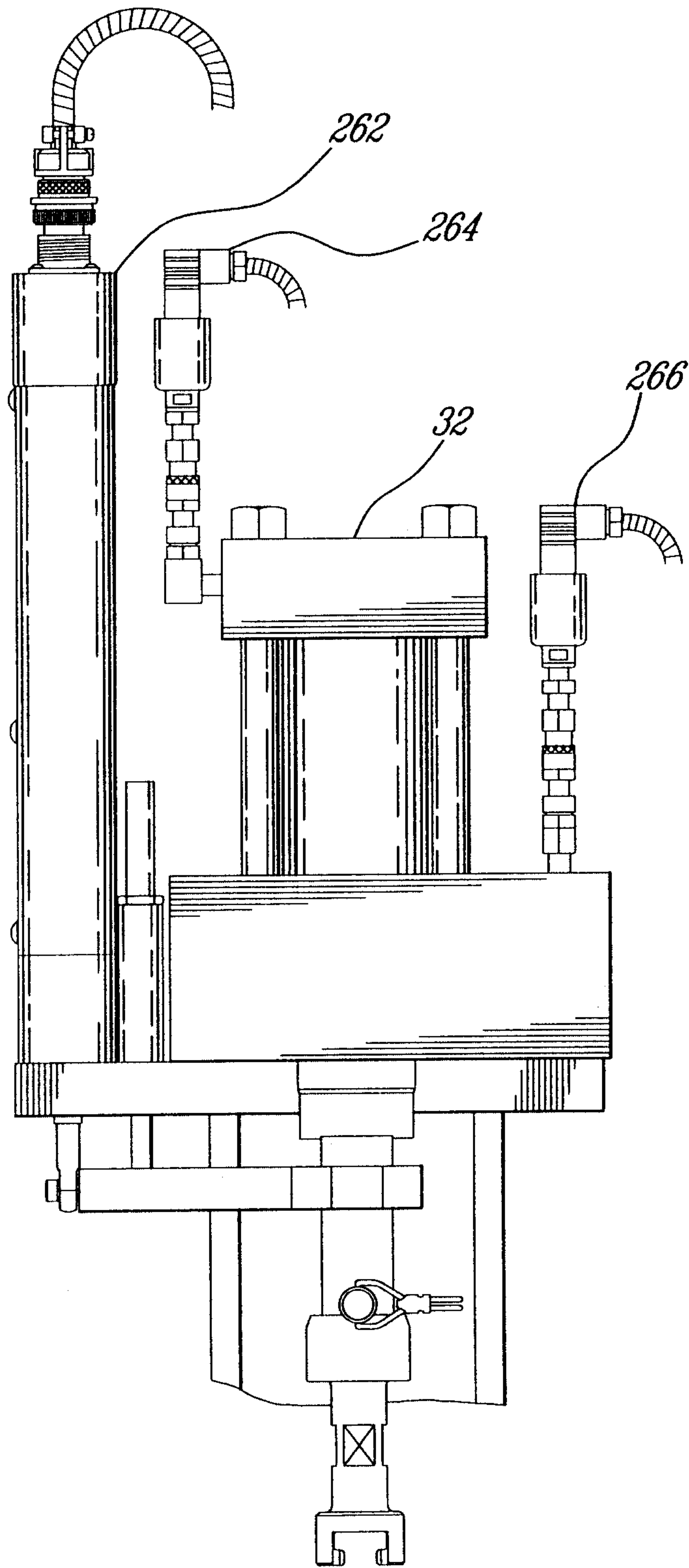


FIG. 11

