



US00D802831S

(12) **United States Design Patent**  
**Reynolds**

(10) **Patent No.:** **US D802,831 S**

(45) **Date of Patent:** **\*\* Nov. 14, 2017**

(54) **HORTICULTURE GROW LIGHT**

(56) **References Cited**

- (71) Applicant: **IP Holdings, LLC**, Vancouver, WA (US)
- (72) Inventor: **Christopher Reynolds**, Vancouver, WA (US)
- (73) Assignee: **IP Holdings, LLC**, Vancouver, WA (US)
- (\*\*) Term: **15 Years**
- (21) Appl. No.: **29/596,812**
- (22) Filed: **Mar. 10, 2017**

U.S. PATENT DOCUMENTS

1,410,945 A	3/1922	Walker
D122,145 S	8/1940	MacCarthy
D123,768 S	12/1940	Scribner
D125,001 S	2/1941	Klingsick
D128,049 S	7/1941	Kurtz
D133,216 S	7/1942	Parlato
2,327,552 A	7/1943	Poehling
2,379,798 A	10/1945	Guth
D147,812 S	11/1947	Picker
2,619,583 A	11/1952	Baumgartner
D180,533 S	6/1957	Stevens
2,899,541 A	8/1959	De Mauro
D186,329 S	10/1959	Guth
D187,337 S	3/1960	Arnold

(Continued)

*Primary Examiner* — Brian N Vinson  
(74) *Attorney, Agent, or Firm* — J. Douglas Wells

**Related U.S. Application Data**

- (63) Continuation of application No. 29/578,892, filed on Sep. 26, 2016, now Pat. No. Des. 786,491, which is a continuation of application No. 29/538,398, filed on Sep. 3, 2015, now Pat. No. Des. 770,671.

(51) **LOC (10) Cl.** ..... **29-99**

(52) **U.S. Cl.**

USPC ..... **D26/118**

(58) **Field of Classification Search**

USPC ... D26/9, 10, 12, 13, 15, 16, 24, 51, 61, 72, D26/76, 80, 81, 85, 86, 88, 90, 113, 118, D26/119, 120, 122, 128, 129, 138, 143, D26/144

CPC .... B60Q 1/04; B60Q 1/26; F21S 8/026; F21S 8/04; F21V 21/02; F21V 29/004; F21V 21/04; F21V 29/2212; F21V 7/22; F21V 29/83; F21V 37/002; F21V 7/00; F21L 19/00; F23D 11/443; F21Y 2101/02; A61L 9/037

See application file for complete search history.

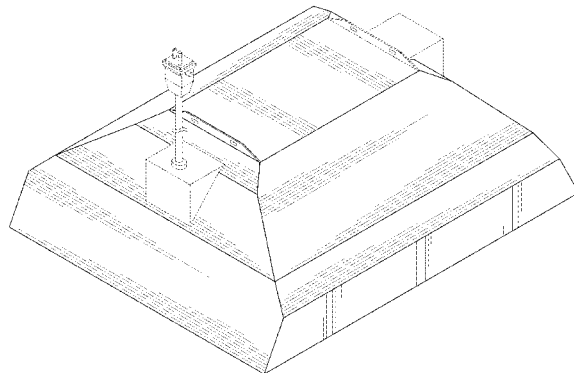
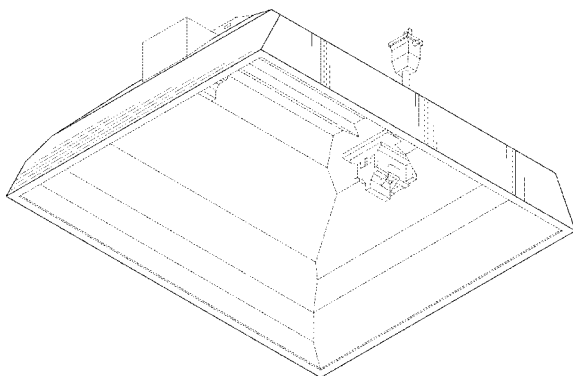
(57) **CLAIM**

The ornamental design for a horticulture grow light, as shown and described.

**DESCRIPTION**

FIG. 1 is a perspective view of a horticulture grow light, as viewed from below, showing my new design;  
 FIG. 2 is a perspective view of the light shown in FIG. 1, as viewed from above;  
 FIG. 3 is a left side view of the light shown in FIG. 1;  
 FIG. 4 is a right side view of the light shown in FIG. 1;  
 FIG. 5 is a front elevation view of the light shown in FIG. 1;  
 FIG. 6 is a rear elevation view of the light shown in FIG. 1;  
 FIG. 7 is a bottom plan view of the light shown in FIG. 1; and,  
 FIG. 8 is a top plan view of the light shown in FIG. 1.  
 The broken-line disclosure shown in the views is understood to represent portions of the article in which the claimed design is embodied, but which form no part of the claimed design.

**1 Claim, 7 Drawing Sheets**



(56)

References Cited

U.S. PATENT DOCUMENTS

D198,183 S	5/1964	Akaly	D544,130 S	6/2007	Hargreaves	
D202,648 S	10/1965	Meyer	D544,139 S	6/2007	Hargreaves	
3,836,765 A	9/1974	Ritzow	D544,626 S	6/2007	Hargreaves	
3,860,829 A	1/1975	Fabbri	D544,980 S	6/2007	Hargreaves	
4,078,169 A	3/1978	Armstrong	D544,981 S	6/2007	Hargreaves	
D259,738 S	6/1981	Boschetti	D544,982 S	6/2007	Hargreaves	
4,342,072 A	7/1982	Guritz	D544,983 S	6/2007	Hargreaves	
D277,416 S	1/1985	Brown	D544,985 S	6/2007	Hargreaves	
4,799,134 A	1/1989	Pinch	D544,995 S *	6/2007	Hargreaves	D26/118
D306,773 S	3/1990	Roulstone	D545,475 S	6/2007	Hargreaves	
D311,597 S	10/1990	Poot	D545,484 S *	6/2007	Hargreaves	D26/118
5,025,356 A	6/1991	Gawad	D545,485 S *	6/2007	Hargreaves	D26/118
D323,897 S	2/1992	Compton	7,524,090 B2	4/2009	Hargreaves	
5,089,940 A	2/1992	Lanzarone	D592,786 S	5/2009	Bisberg	
5,113,328 A	5/1992	Foster	7,534,011 B2	5/2009	Townsley	
5,195,822 A	3/1993	Takahashi	D595,894 S	7/2009	Verfueth	
D344,605 S	2/1994	Aspenwall	D596,778 S	7/2009	Yamazato	
D349,358 S	8/1994	Herst	D603,999 S	11/2009	Fowler	
D352,126 S	11/1994	Ruud	7,628,506 B2	12/2009	Verfueth	
D361,393 S	8/1995	Vakil	D614,801 S *	4/2010	Collins	D26/118
5,440,470 A	8/1995	Ly	7,784,966 B2	8/2010	Verfueth	
5,479,327 A	12/1995	Chen	D632,418 S	2/2011	Bisberg	
D375,180 S	10/1996	Lyons	D634,060 S *	3/2011	Wardenburg	D26/118
D376,437 S	12/1996	Karlo	D634,469 S *	3/2011	Hargreaves	D26/118
D383,560 S	9/1997	Palmer	7,972,044 B2	7/2011	Burkhauser	
D391,382 S	2/1998	Rahn	7,982,376 B2	7/2011	Keen	
D399,328 S	10/1998	Compton	8,136,958 B2	3/2012	Verfueth	
D400,289 S	10/1998	Wardenburg	8,322,011 B2	12/2012	Hargreaves	
D405,907 S	2/1999	Herst	D675,365 S	1/2013	Beghelli	
D415,304 S	10/1999	Brown	D675,369 S *	1/2013	Michaud	D26/118
D417,303 S	11/1999	Rahn	8,376,583 B2	2/2013	Wang	
D418,626 S	1/2000	Herst	D693,959 S *	11/2013	Boyer	D26/118
6,024,468 A	2/2000	Kassay	D698,986 S *	2/2014	Reynolds	D26/118
D428,516 S *	7/2000	Reo	D703,858 S	4/2014	Miller	
D430,688 S	9/2000	Plunk	D704,372 S	5/2014	Speier	
D431,876 S	10/2000	Lewis	D711,037 S	8/2014	Lehman	
D445,943 S	7/2001	Littman	8,905,575 B2 *	12/2014	Durkee	F21V 7/0008 362/218
D446,333 S	8/2001	Frois	D723,206 S	2/2015	Lewis, Jr.	
D447,266 S	8/2001	Verfueth	8,960,950 B2	2/2015	Risley	
D447,272 S *	8/2001	Smith	D731,701 S *	6/2015	Hargreaves	D26/118
6,299,327 B1	10/2001	Camarota	D732,235 S *	6/2015	Reynolds	D26/118
D456,551 S	4/2002	Russello	D732,236 S *	6/2015	Reynolds	D26/118
D456,552 S	4/2002	Russello	D735,931 S	8/2015	Lehman	
D456,553 S	4/2002	Russello	D736,450 S *	8/2015	Reynolds	D26/118
D456,927 S	5/2002	Russello	D740,486 S *	10/2015	Stanley	D26/118
D456,928 S	5/2002	Rusello	D747,029 S *	1/2016	Reynolds	D26/118
D456,938 S *	5/2002	Wardenburg	D748,849 S *	2/2016	Stanley	D26/118
D463,059 S	9/2002	Verfueth	D750,316 S *	2/2016	Reynolds	D26/118
D465,869 S	11/2002	Bodell	D751,244 S *	3/2016	Reynolds	D26/118
6,527,422 B1	3/2003	Hutchison	D751,247 S *	3/2016	Reynolds	D26/118
6,585,396 B1	7/2003	Verfueth	D756,016 S	5/2016	Hargreaves	
6,595,662 B2	7/2003	Wardenburg	D757,325 S	5/2016	Stanley	
D485,635 S	1/2004	Schuetz	D757,326 S	5/2016	Reynolds	
D487,598 S	3/2004	Schuetz	D757,327 S	5/2016	Reynolds	
D494,700 S	8/2004	Hartman	D761,477 S	7/2016	Guercio	
D497,026 S	10/2004	Hand	D770,671 S	11/2016	Reynolds	
D499,504 S	12/2004	Meyer	D785,846 S	5/2017	Reynolds	
6,908,212 B2	6/2005	Schultz	D786,491 S	5/2017	Reynolds	
D520,173 S	5/2006	Plunk	D791,999 S	7/2017	Hargreaves	
D521,172 S	5/2006	Chen	2002/0141195 A1	10/2002	Peter	
7,083,309 B2	8/2006	Chan	2005/0201088 A1	9/2005	Stach	
D542,460 S	5/2007	Hargreaves	2006/0055293 A1	3/2006	Ngai	
D543,651 S	5/2007	Hargreaves	2007/0211457 A1	9/2007	Mayfield	
D543,652 S *	5/2007	Hargreaves	2008/0117617 A1	5/2008	Hargreaves	
D543,653 S	5/2007	Hargreaves	2008/0205071 A1	8/2008	Townsley	
D543,654 S	5/2007	Hargreaves	2010/0149791 A1	6/2010	McCane	
D544,129 S	6/2007	Hargreaves	2011/0183308 A1	7/2011	Hsu	

\* cited by examiner

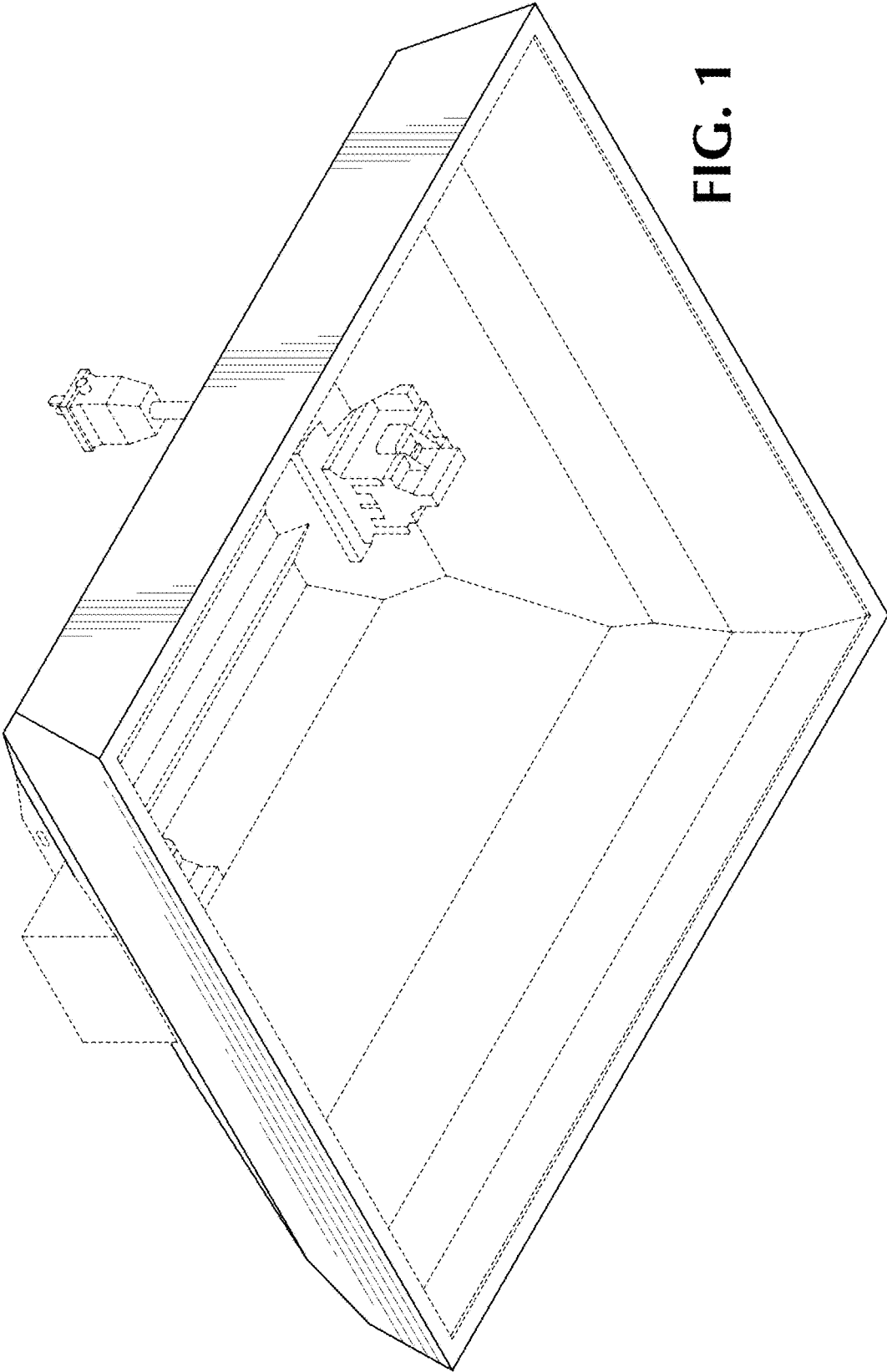


FIG. 1

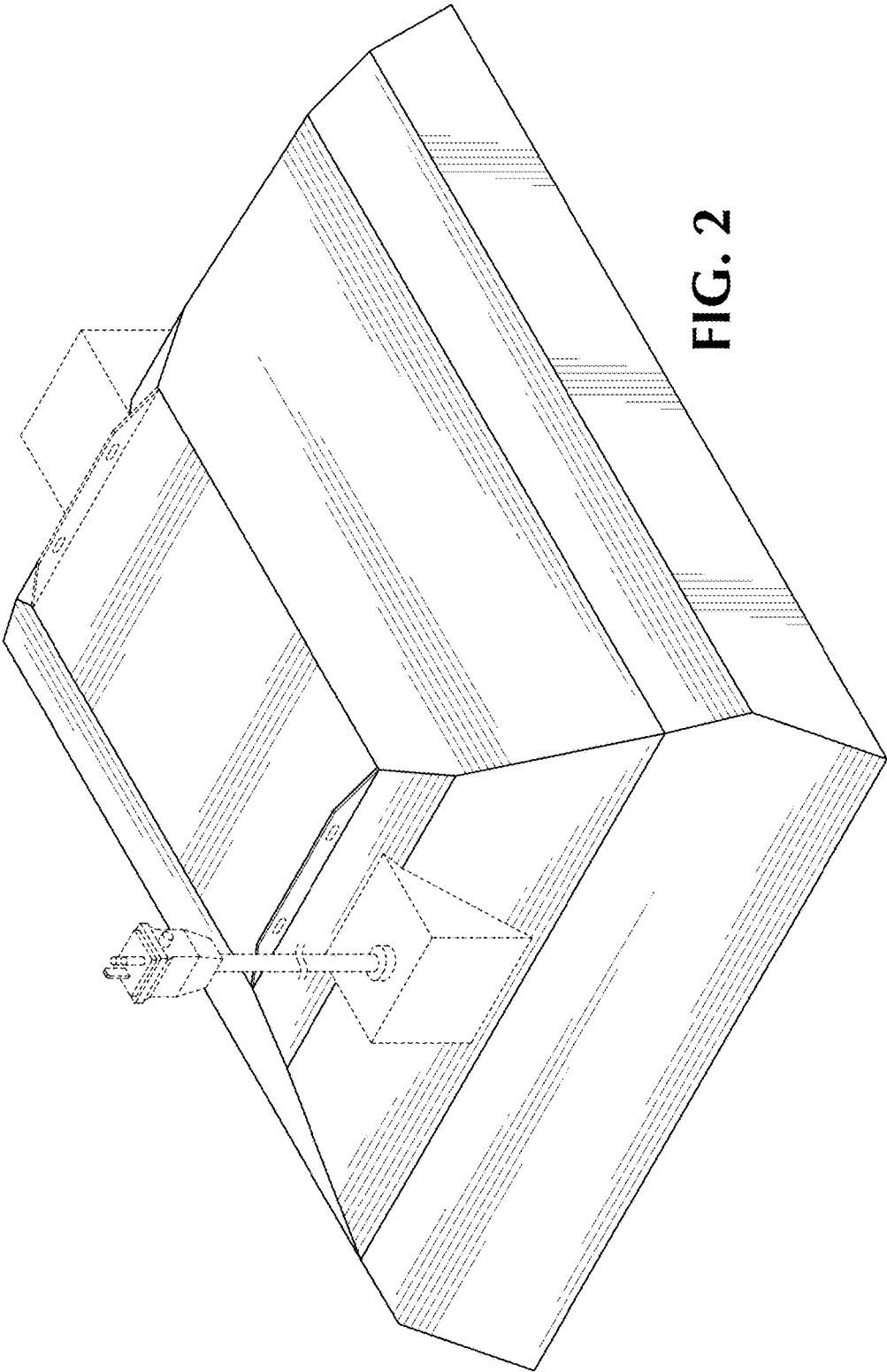
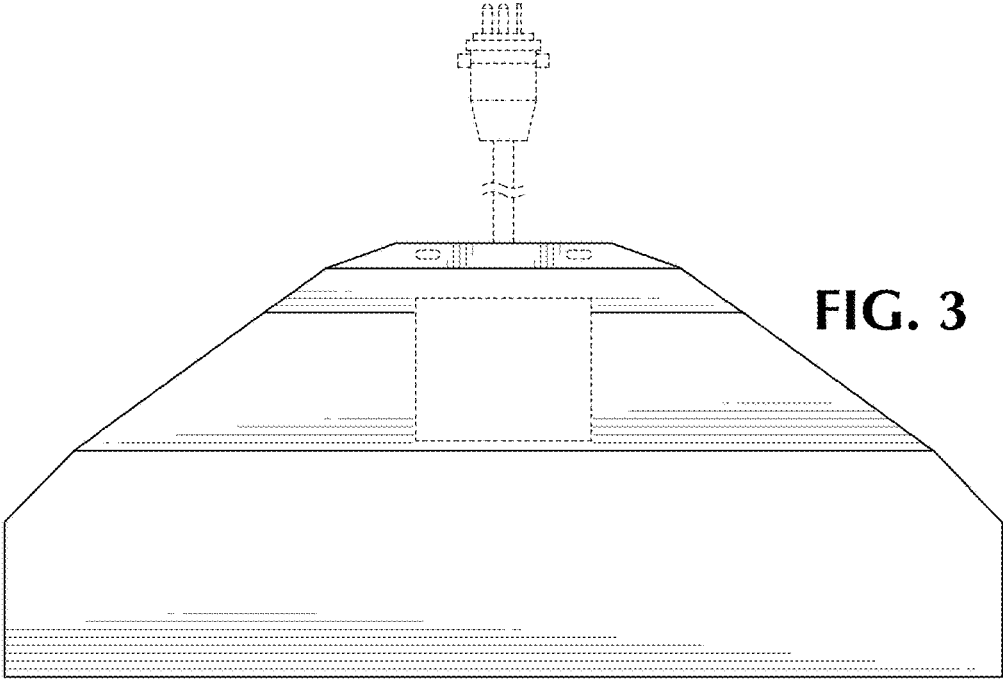
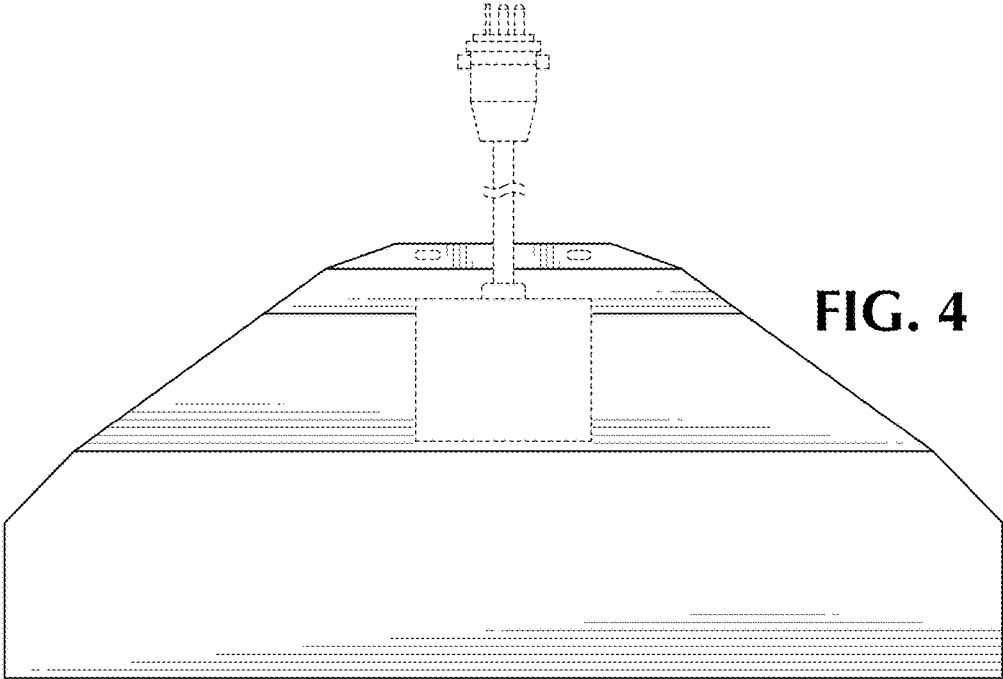


FIG. 2



**FIG. 3**



**FIG. 4**

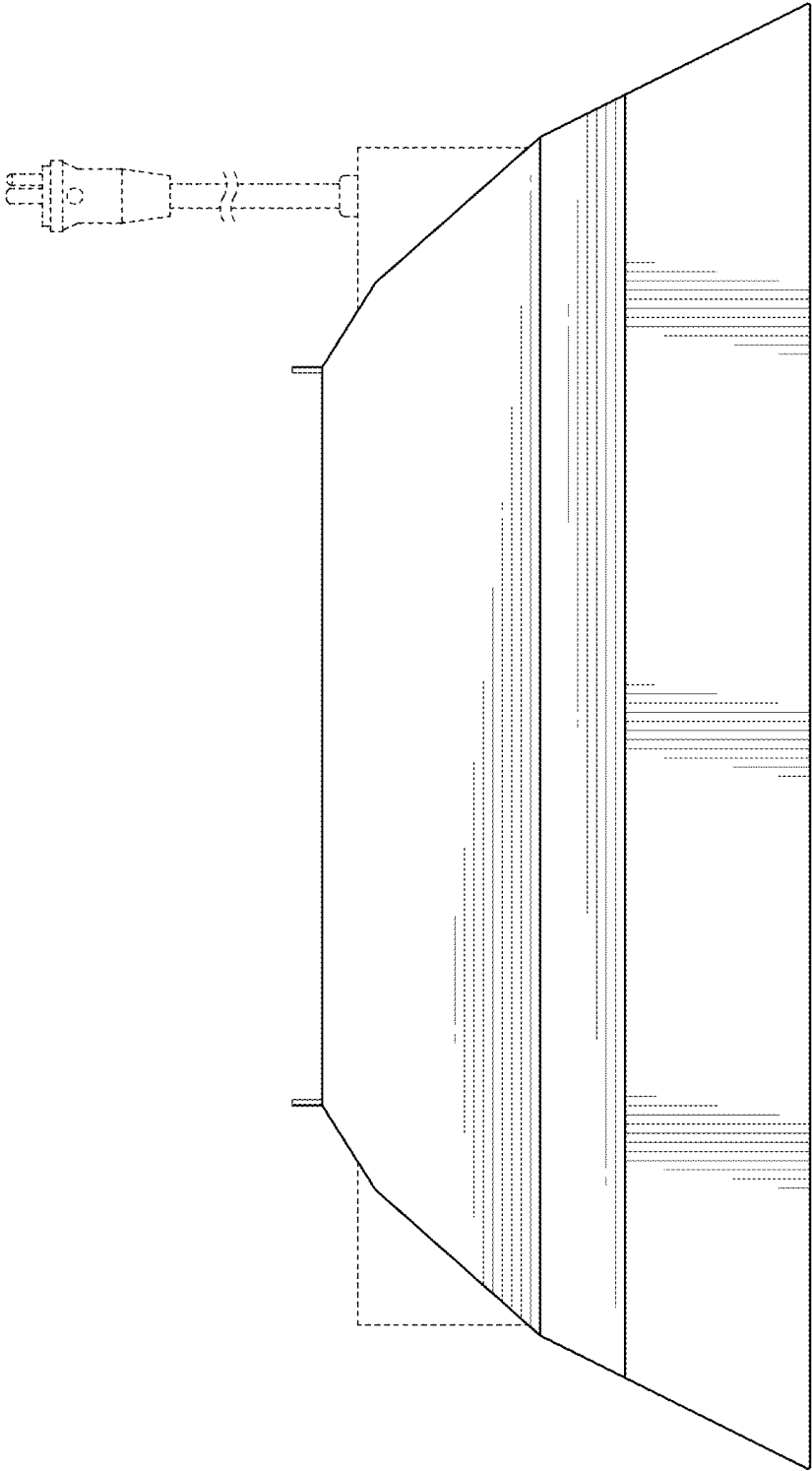


FIG. 5

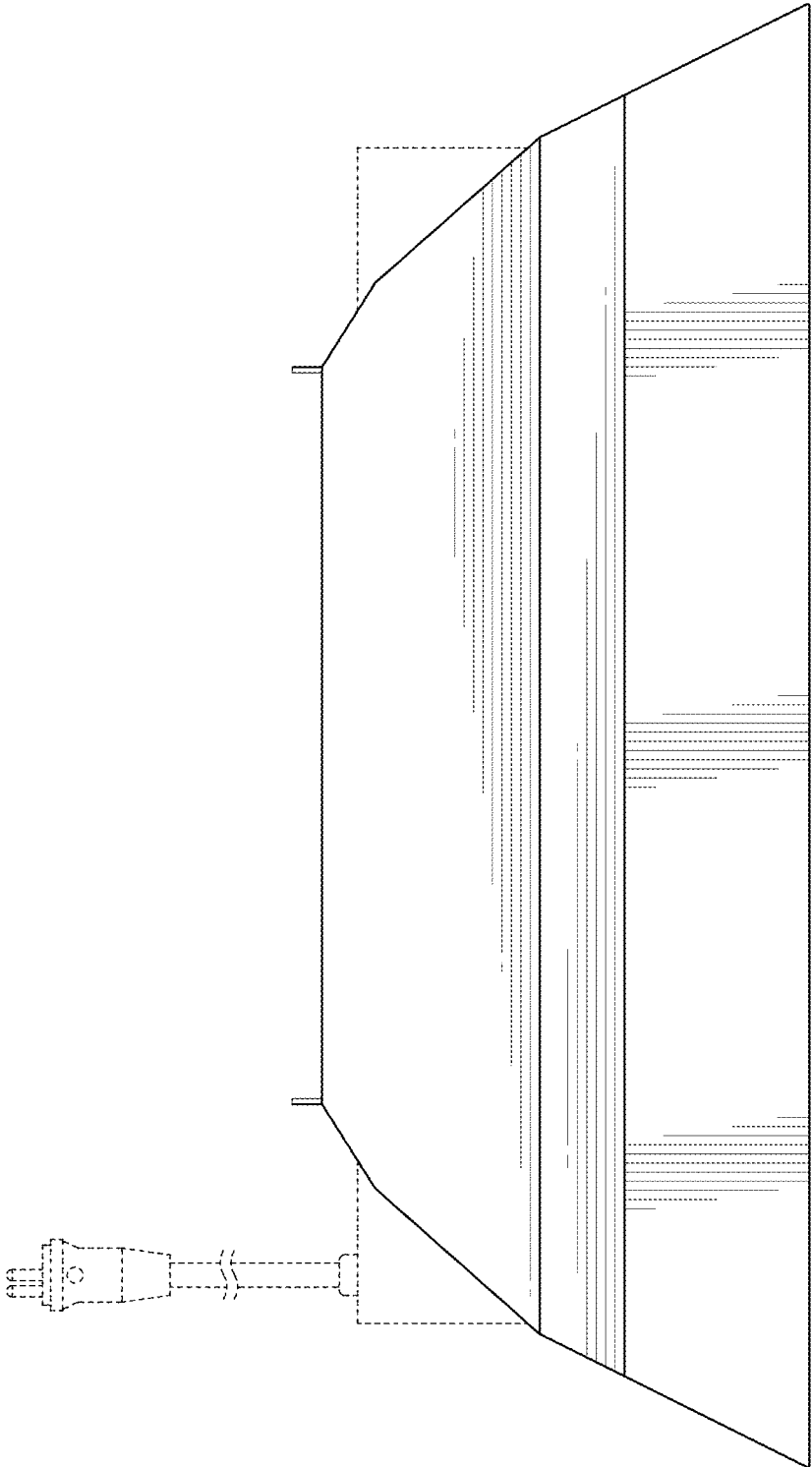


FIG. 6

FIG. 7

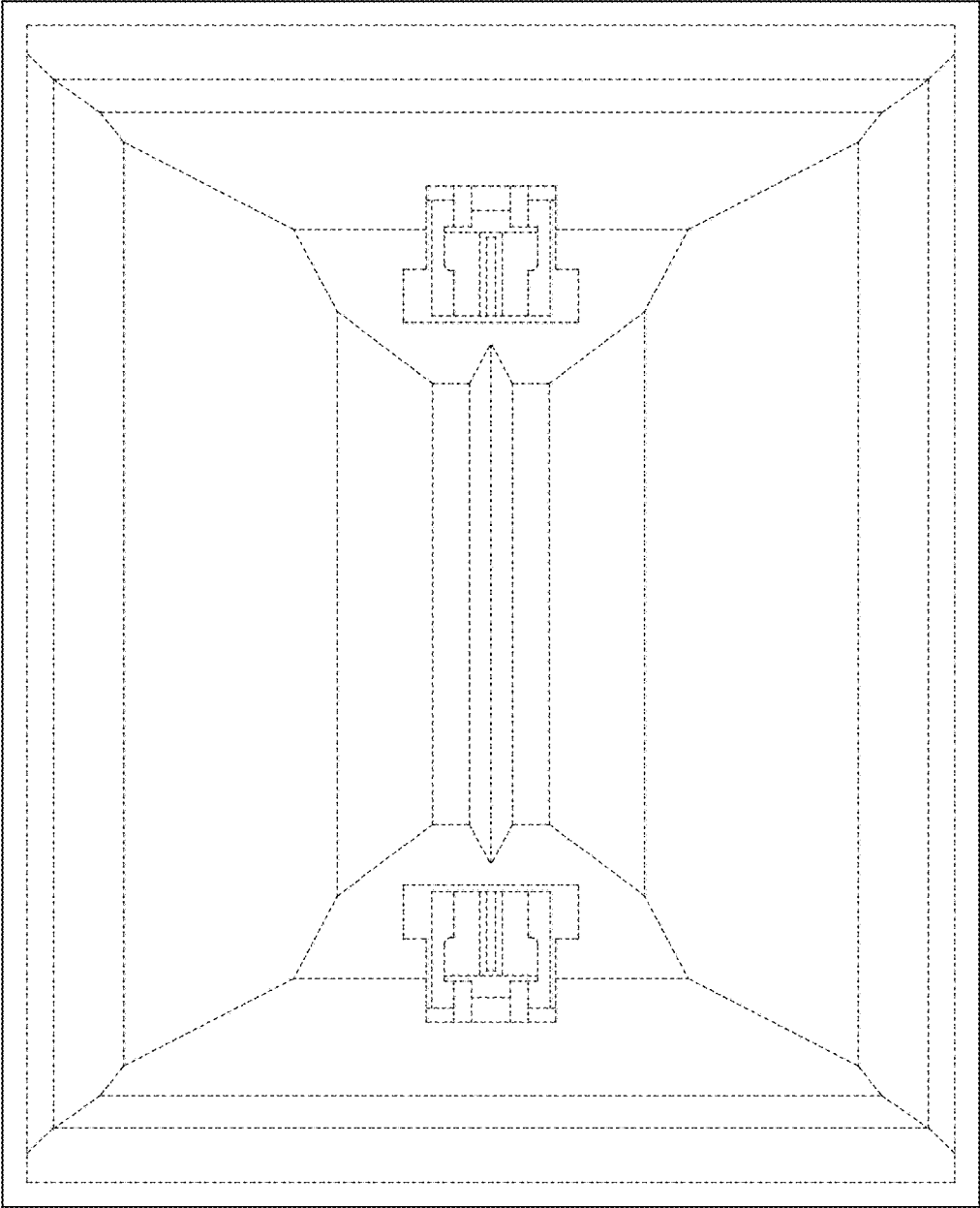




FIG. 8

