



US00D888798S

(12) **United States Design Patent**
Walter et al.

(10) **Patent No.:** **US D888,798 S**

(45) **Date of Patent:** **** Jun. 30, 2020**

(54) **CAMERA**

(71) Applicant: **Axis AB**, Lund (SE)

(72) Inventors: **Mathias Walter**, Lund (SE); **Daniel Åhman**, Lund (SE); **Mariano Vozzi**, Lund (SE); **Malte Bokvist**, Lund (SE); **Fredrik Axelsson**, Lund (SE)

(73) Assignee: **AXIS AB**, Lund (SE)

(**) Term: **15 Years**

(21) Appl. No.: **29/714,510**

(22) Filed: **Nov. 23, 2019**

Related U.S. Application Data

(62) Division of application No. 29/654,439, filed on Jun. 25, 2018.

(30) **Foreign Application Priority Data**

Jan. 15, 2018 (EM) 004665966-0001
Jan. 15, 2018 (EM) 004665966-0002
Jan. 15, 2018 (EM) 004665966-0003

(51) **LOC (12) Cl.** **16-01**

(52) **U.S. Cl.**
USPC **D16/203**

(58) **Field of Classification Search**
USPC D16/200-220, 131, 237, 242, 239, 250,
D16/235, 130, 134, 136, 238;
(Continued)

(56) **References Cited**

U.S. PATENT DOCUMENTS

D452,696 S ‡ 1/2002 Fenton D16/203
D556,236 S ‡ 11/2007 Kim D16/202
(Continued)

FOREIGN PATENT DOCUMENTS

EM 002967810 ‡ 2/2016
EM 003514991 ‡ 12/2016

(Continued)

OTHER PUBLICATIONS

Taiwanese Search Report from corresponding Taiwan Design Application No. 107303686, dated Mar. 27, 2019; 5 pages. ‡

(Continued)

Primary Examiner — T Chase Nelson

Assistant Examiner — Mary Claire Ramirez

(74) *Attorney, Agent, or Firm* — Tucker Ellis LLP

(57) **CLAIM**

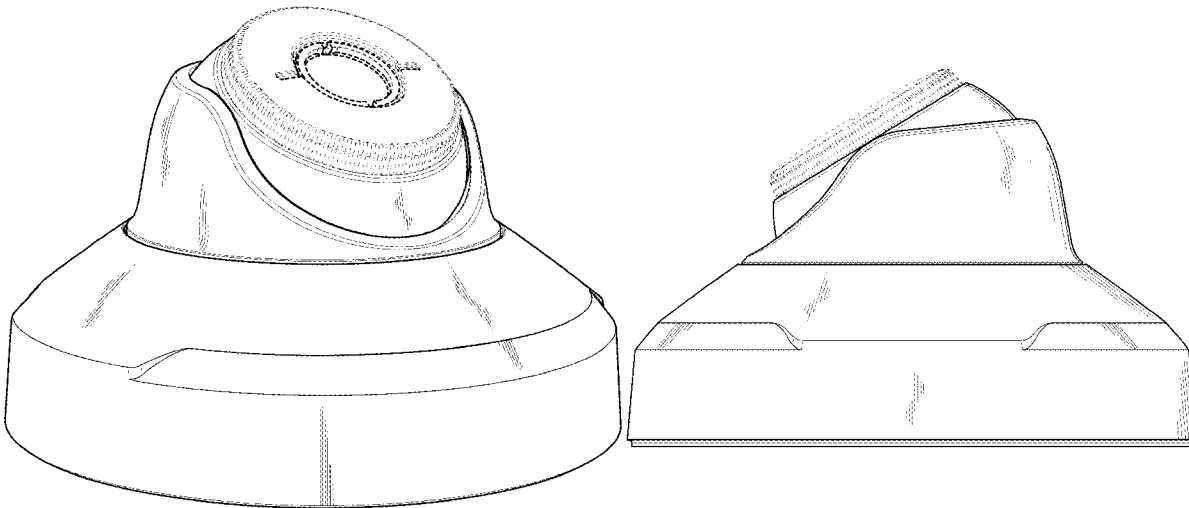
The ornamental design for a camera, as shown and described.

DESCRIPTION

FIG. 1 is a perspective view of a camera in a first embodiment showing our new design; FIG. 2 is a front view thereof; FIG. 3 is a rear view thereof; FIG. 4 is a left side view thereof; FIG. 5 is a right side view thereof; FIG. 6 is a top view thereof; FIG. 7 is a bottom view thereof; FIG. 8 is a perspective view of the camera in a second embodiment; FIG. 9 is a front view thereof; FIG. 10 is a rear view thereof; FIG. 11 is a left side view thereof; FIG. 12 is a right side view thereof; FIG. 13 is a top view thereof; and, FIG. 14 is a bottom view thereof.

The broken lines are for the purpose of illustrating portions of the camera and form no part of the claimed design.

1 Claim, 10 Drawing Sheets



(58) **Field of Classification Search**

USPC .. D14/138 C, 240, 248, 203.1, 203.3, 203.7,
 D14/218, 207; D10/104.1, 50, 65, 74,
 D10/70, 118.2, 106.6, 106.8; D6/542,
 D6/545
 CPC . G02B 7/02; G02B 7/021; G02B 7/04; G02B
 7/14; G02B 7/003; G03B 17/00; G03B
 17/02; G03B 17/56; G03B 17/04; G03B
 17/14; G03B 17/08; G03B 15/03; G03B
 15/06; H04N 5/2251; H04N 5/2252;
 H04N 5/2253; H04N 5/2254; H04N 7/00;
 H04N 2101/00; F16M 13/00
 See application file for complete search history.

(56) **References Cited**

U.S. PATENT DOCUMENTS

D609,732	S	‡	2/2010	Frank	D16/203
D626,984	S	‡	11/2010	Miyaji	D16/202
D629,439	S	‡	12/2010	Yoshida	D16/203
D633,931	S	‡	3/2011	Ham	D16/203
D639,842	S	‡	6/2011	Zeinoun	D16/203
D653,687	S	‡	2/2012	Yu	D16/200
D657,410	S	‡	4/2012	Helaoui	D16/203
D676,477	S	‡	2/2013	Chen	D16/202
D721,755	S	‡	1/2015	Ahman	D16/203
D740,874	S	‡	10/2015	Ahman	D16/203
D741,934	S	‡	10/2015	Stark	D16/203
D743,465	S	‡	11/2015	Aglassinger	D16/203
D745,911	S	‡	12/2015	Lee	D16/203
D749,662	S	‡	2/2016	Chen	D16/203
D752,675	S	‡	3/2016	Ravat	D16/203
D756,437	S	‡	5/2016	Bennermark	D16/203
D783,076	S	‡	4/2017	Ravat	D16/203
D809,047	S	*	1/2018	Borg	D16/203
D809,048	S	‡	1/2018	Andersson	D16/203
D811,462	S	*	2/2018	Axelsson	D16/203
D813,926	S	‡	3/2018	Shin	D16/203
D816,755	S	‡	5/2018	Barnekow	D16/203
D817,378	S	‡	5/2018	Persson	D16/203
D819,108	S	*	5/2018	Wu	D16/203
D823,919	S	‡	7/2018	Persson	D16/203
D825,640	S	*	8/2018	Andersson	D16/203
D837,863	S	‡	1/2019	Persson	D16/203

D839,338	S	‡	1/2019	Persson	D16/203
10,178,283	B2	*	1/2019	Shin	H04N 7/183
D848,514	S	‡	5/2019	Ahman	D16/219
D849,120	S	‡	5/2019	Ahman	D16/219
D856,397	S	‡	8/2019	Ahman	D16/219
D876,509	S	*	2/2020	Walter	D16/203
D881,855	S	*	4/2020	Ahman	D14/230
D882,663	S	*	4/2020	Walter	D16/203
D882,664	S	*	4/2020	Tang	D16/203
2007/0274706	A1	*	11/2007	Cheng	G03B 17/00 396/427
2011/0090350	A1	‡	4/2011	Oomori	H04N 5/2252 348/207.99
2012/0106943	A1	‡	5/2012	Mukai	G03B 37/00 396/427
2013/0287385	A1	‡	10/2013	Andersson	H04N 5/2252 396/427
2016/0112608	A1	‡	4/2016	Elensi	H04N 5/2252 348/143
2017/0104908	A1	*	4/2017	Mukai	G03B 17/02
2017/0353635	A1	‡	12/2017	Shin	H04N 7/18
2018/0165932	A1	‡	6/2018	Larsson	G08B 13/19619
2019/0191059	A1	‡	6/2019	Park	H04N 5/2251

FOREIGN PATENT DOCUMENTS

TW	D181983	‡	3/2017
TW	D184316	‡	7/2017

OTHER PUBLICATIONS

Axis Communications Companion Eye mini L 2MP Network Dome Camera with Night Vision, published 2019 [online], [retrieved Sep. 23, 2019], Available from Internet, URL: https://www.bhphotovideo.com/c/product/1454523-REG/axis_communications_01064_001_companion_eye_mini_l.html. ‡
 Taiwanese Search Report from corresponding Taiwan Design Application No. 107303688, dated Mar. 27, 2019; 5 pages.
 Axis Communications Companion Eye mini L 2MP Network Dome Camera with Night Vision, published 2019 [online], [retrieved Sep. 23, 2019], Available from Internet, URL: https://www.bhphotovideo.com/c/product/1454523-REG/exis_communications_01064_001_companion_eye_mini_l.html.

* cited by examiner
 ‡ imported from a related application

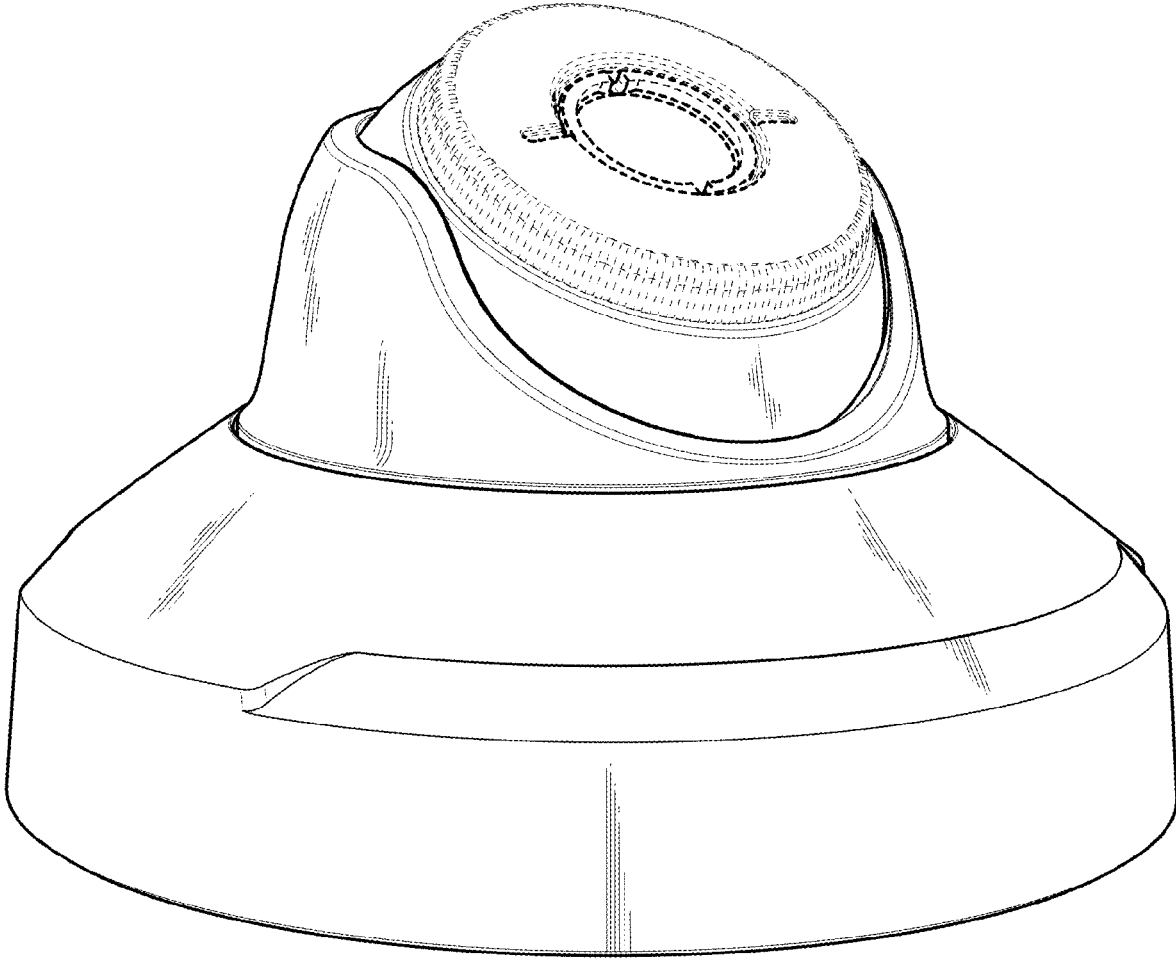


FIG. 1

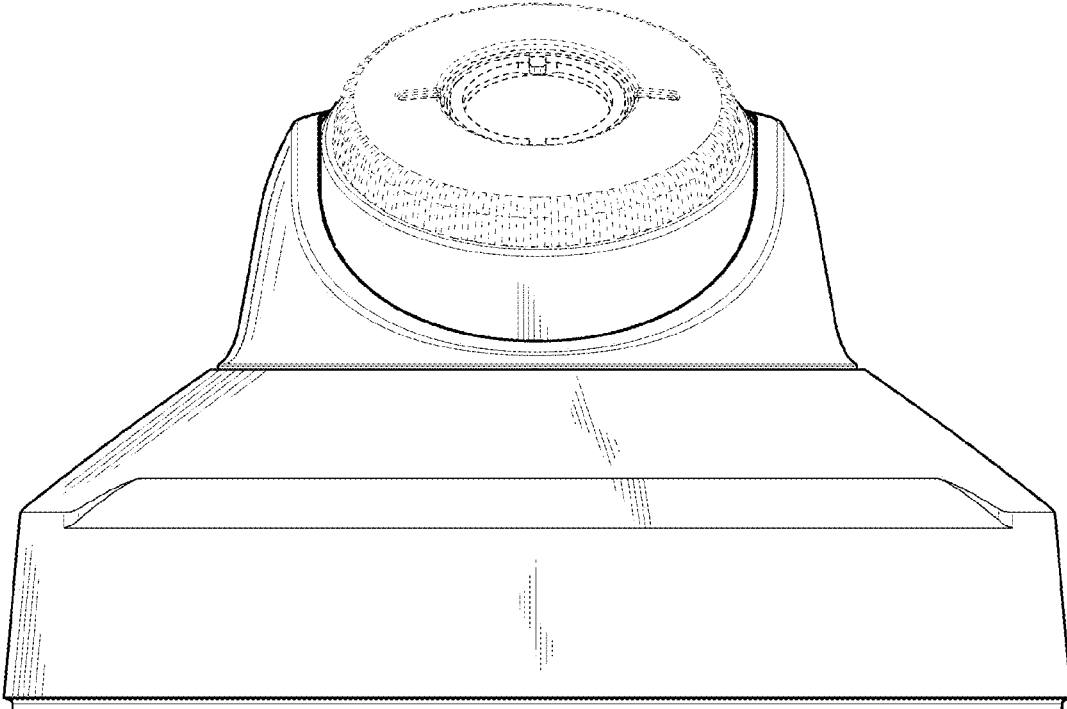


FIG. 2

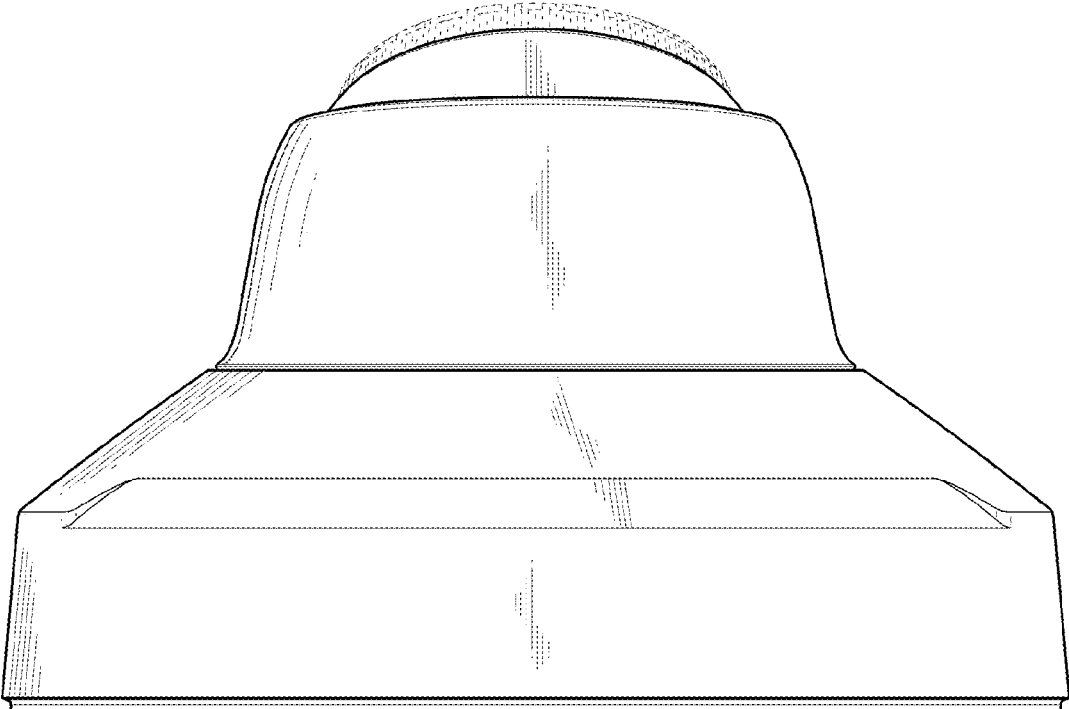


FIG. 3

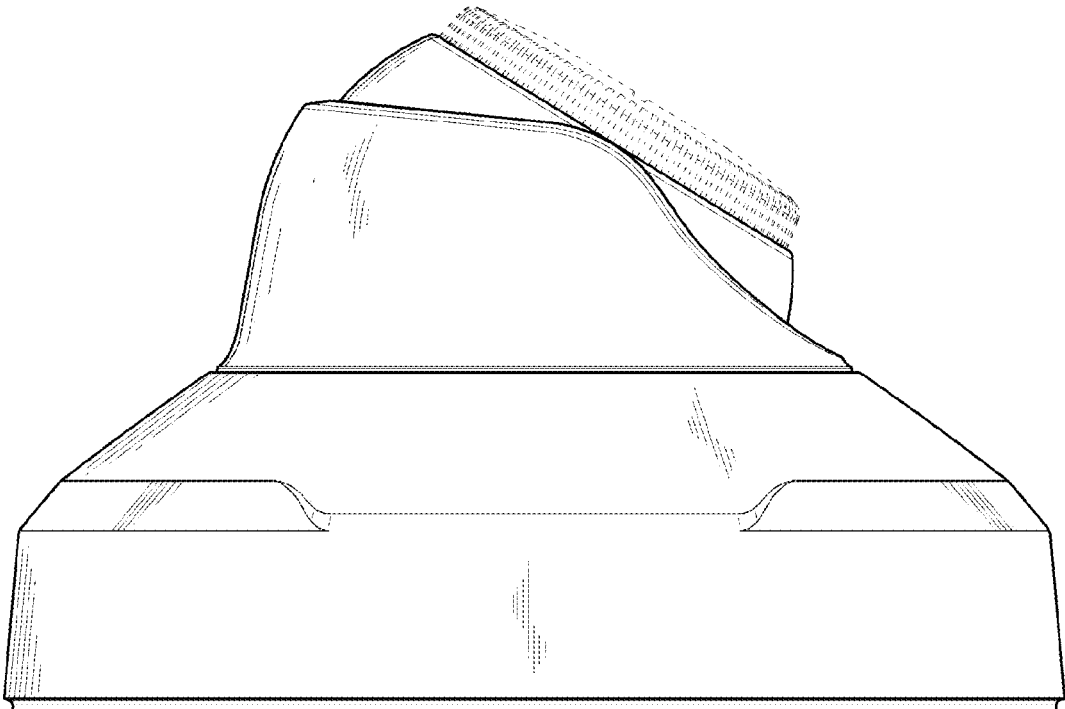


FIG. 4

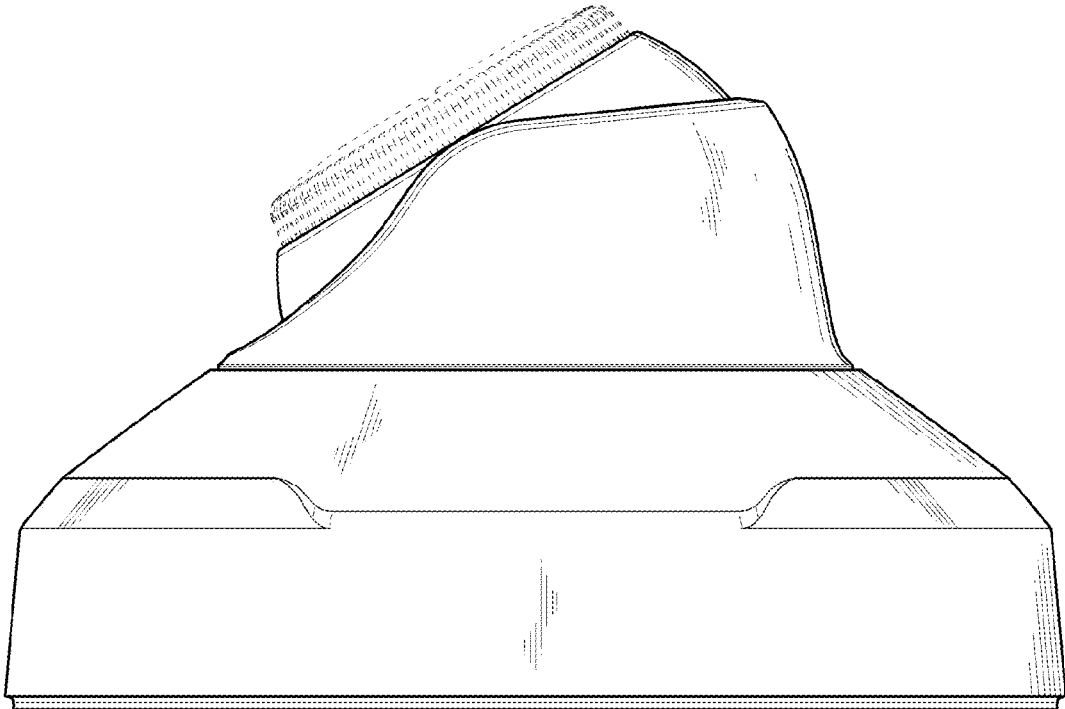


FIG. 5

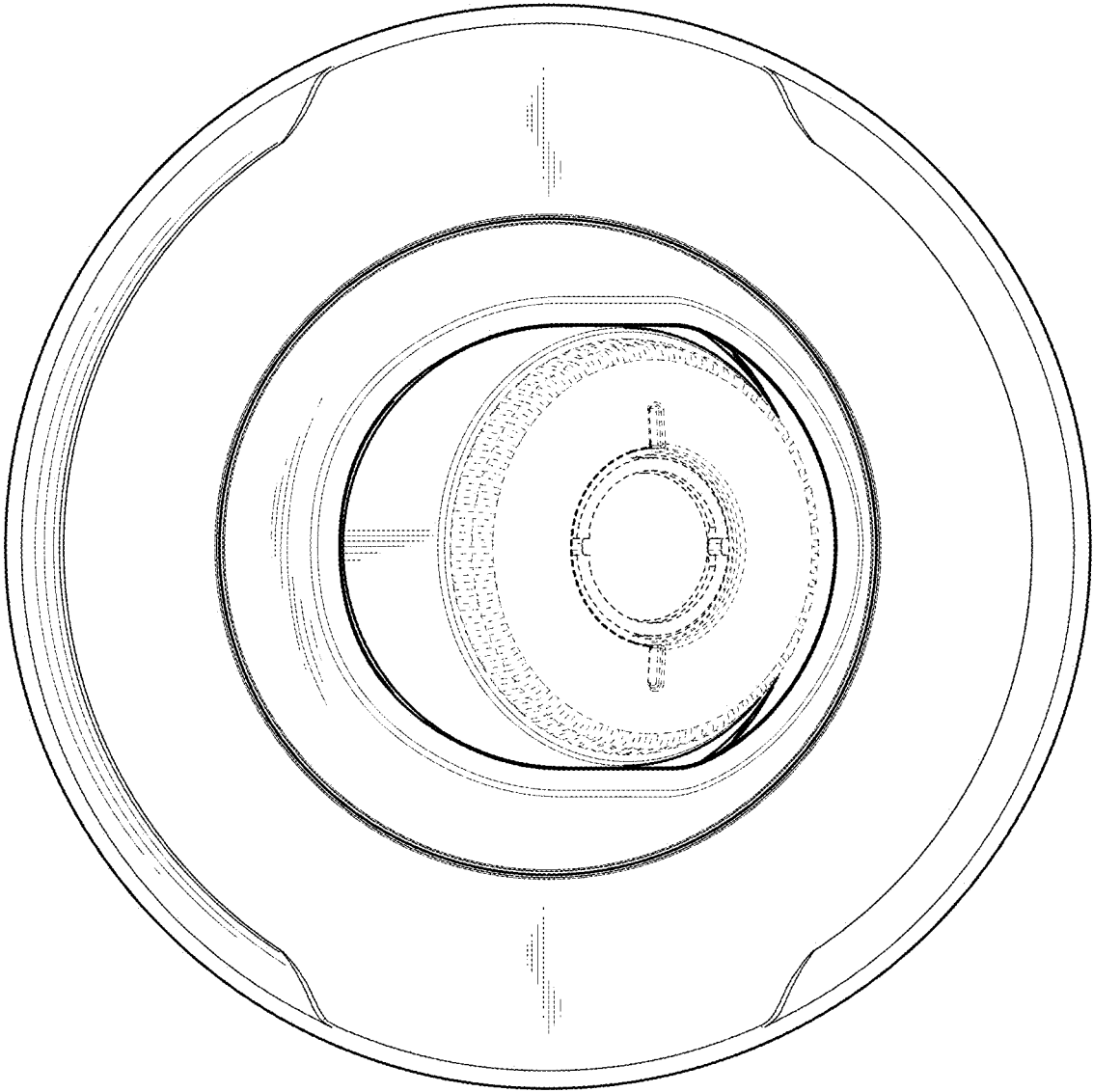


FIG. 6

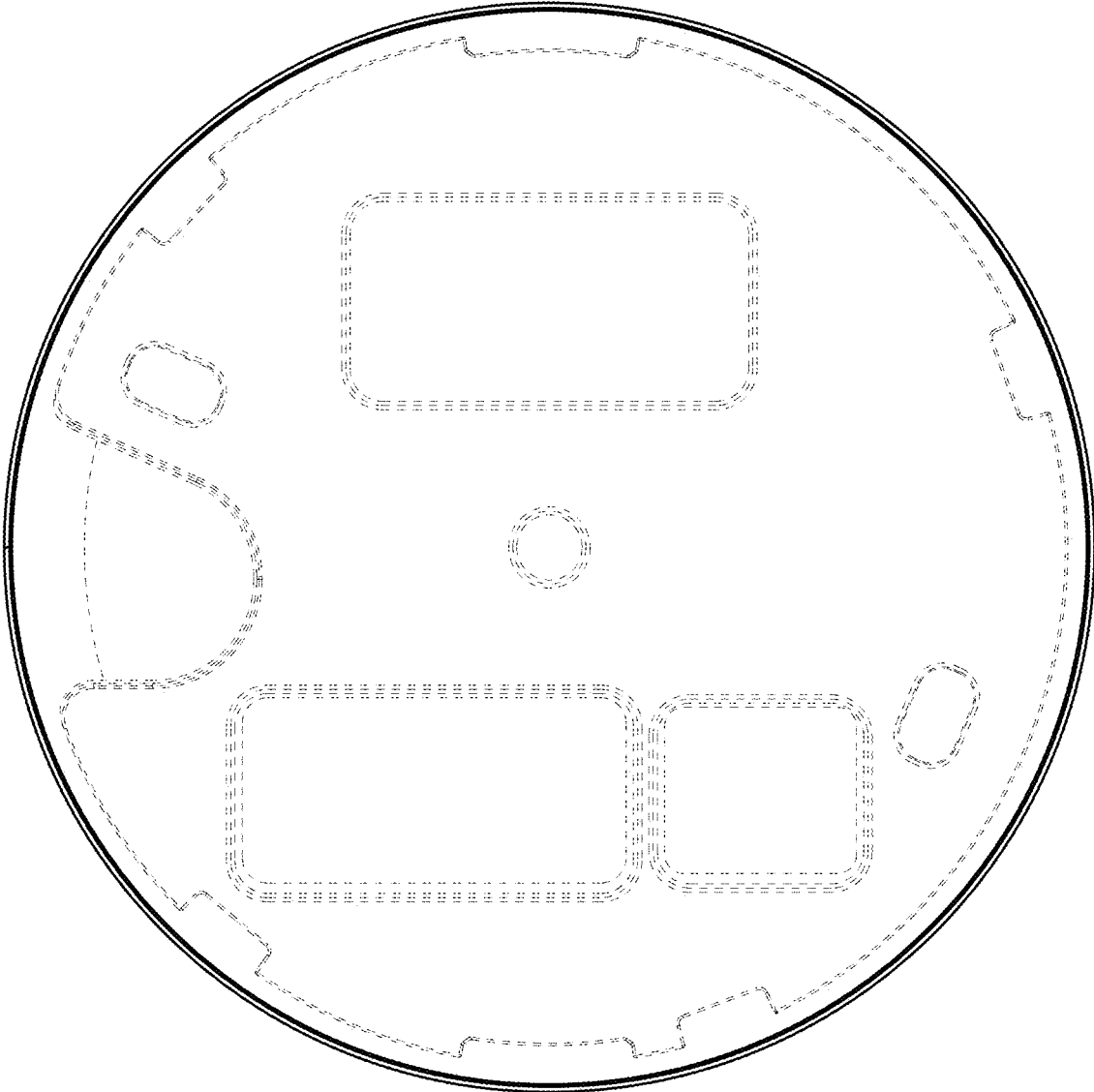


FIG. 7

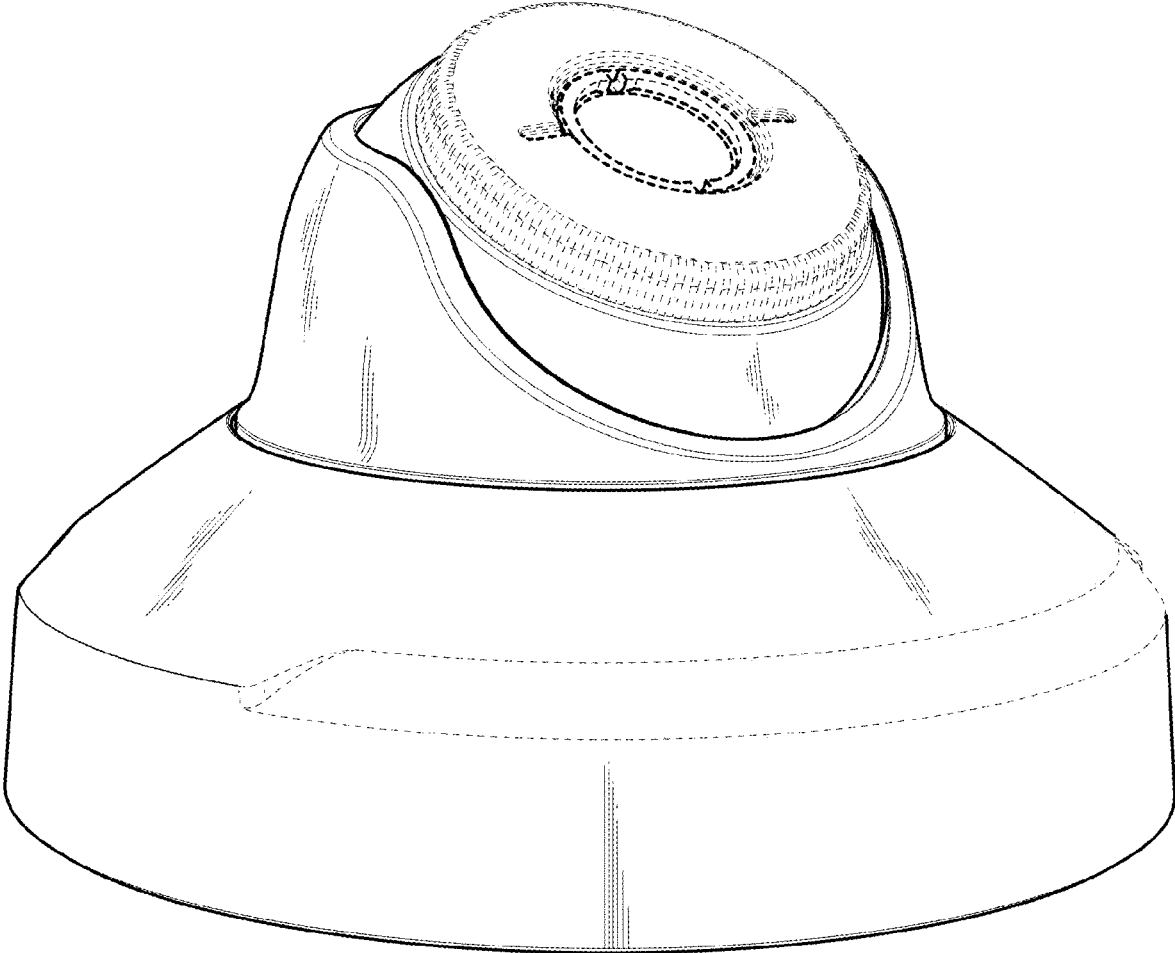


FIG. 8

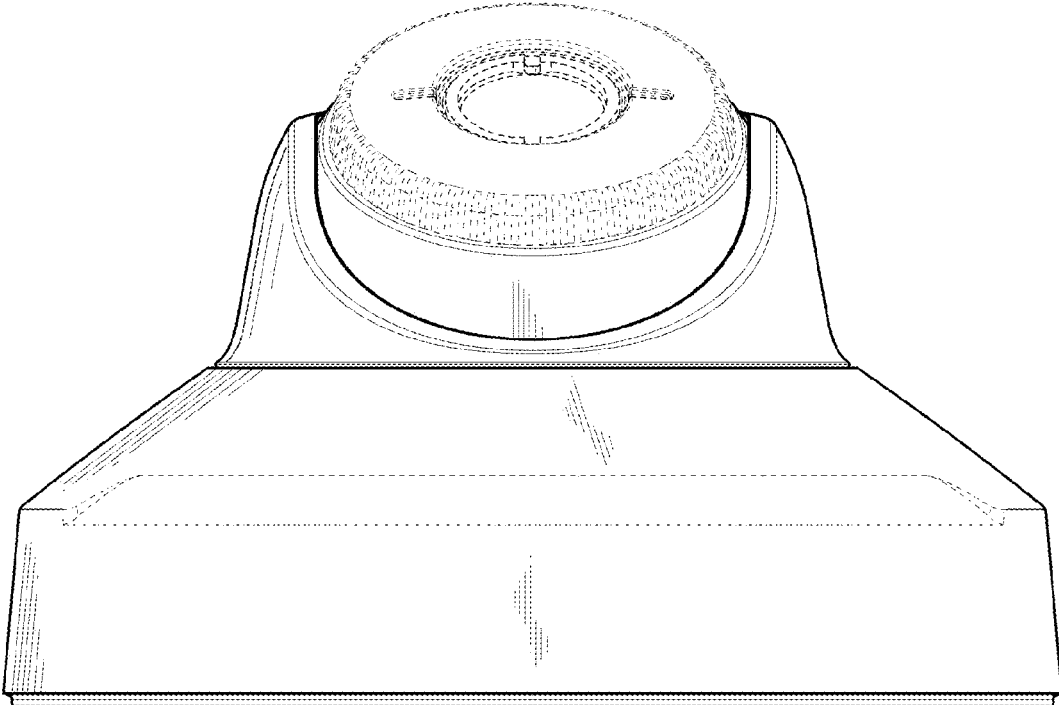


FIG. 9

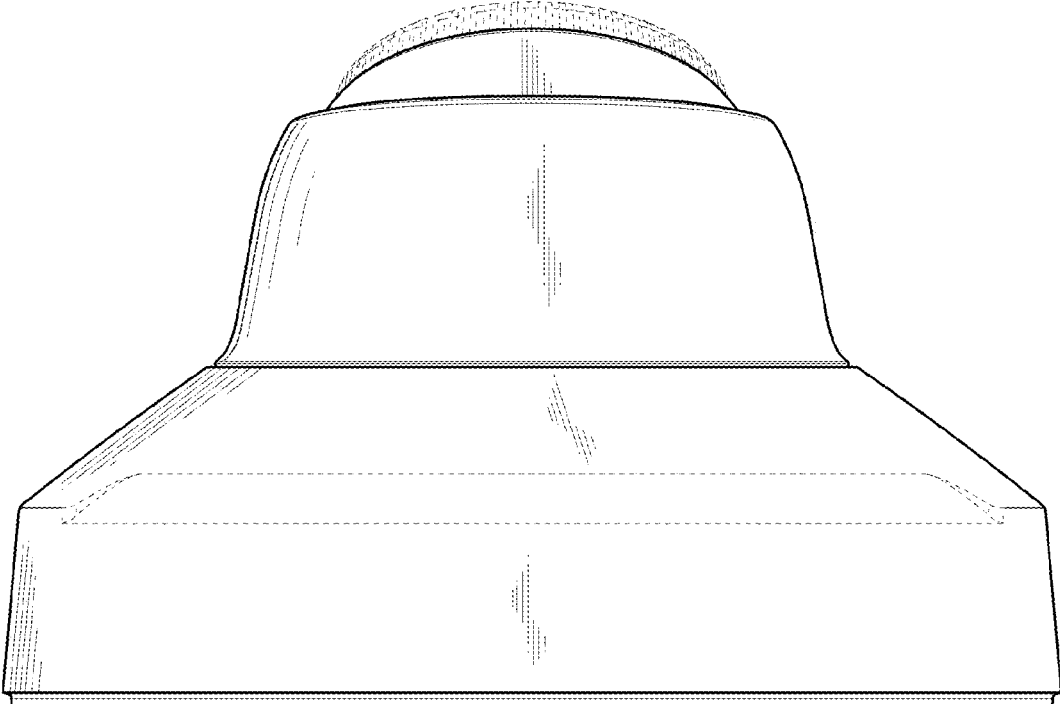


FIG. 10

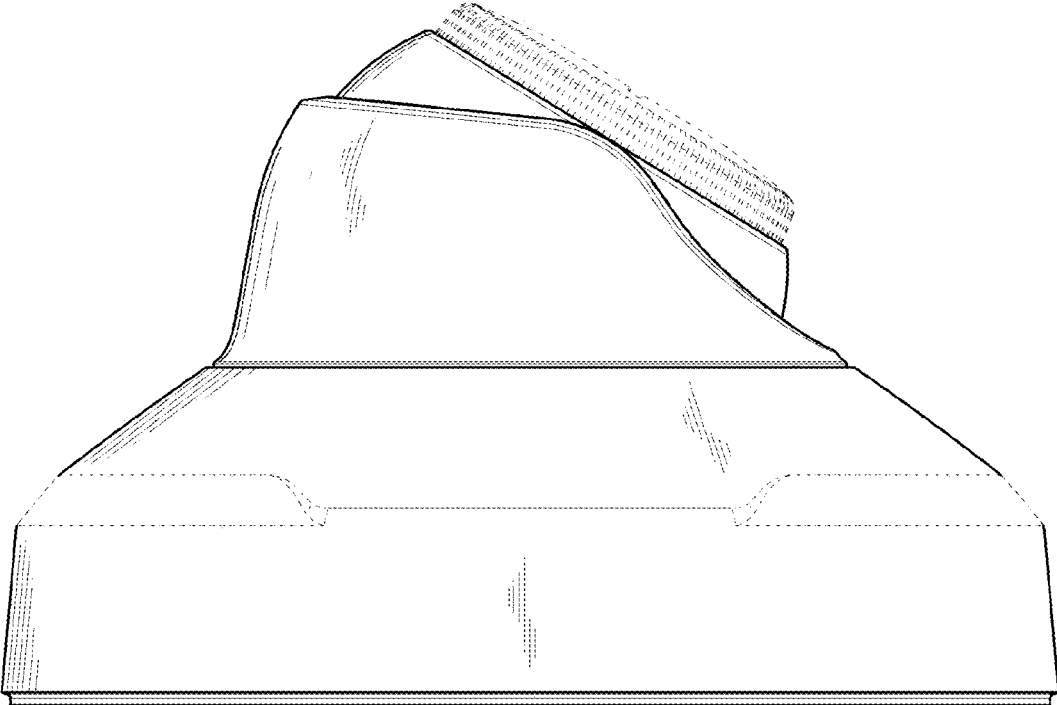


FIG. 11

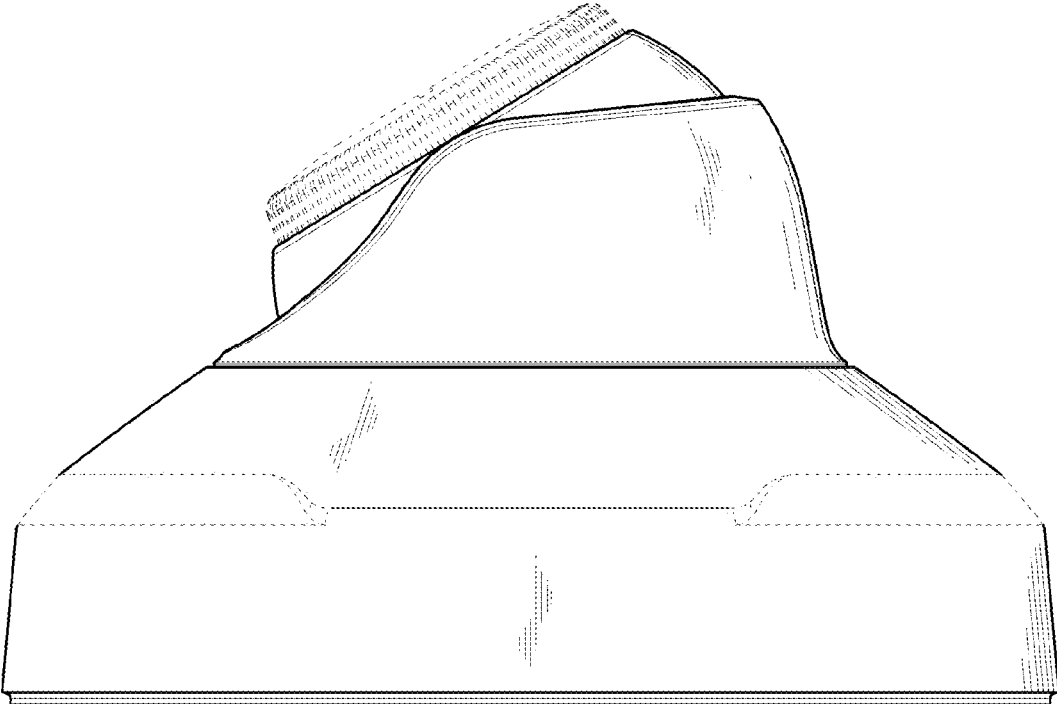


FIG. 12

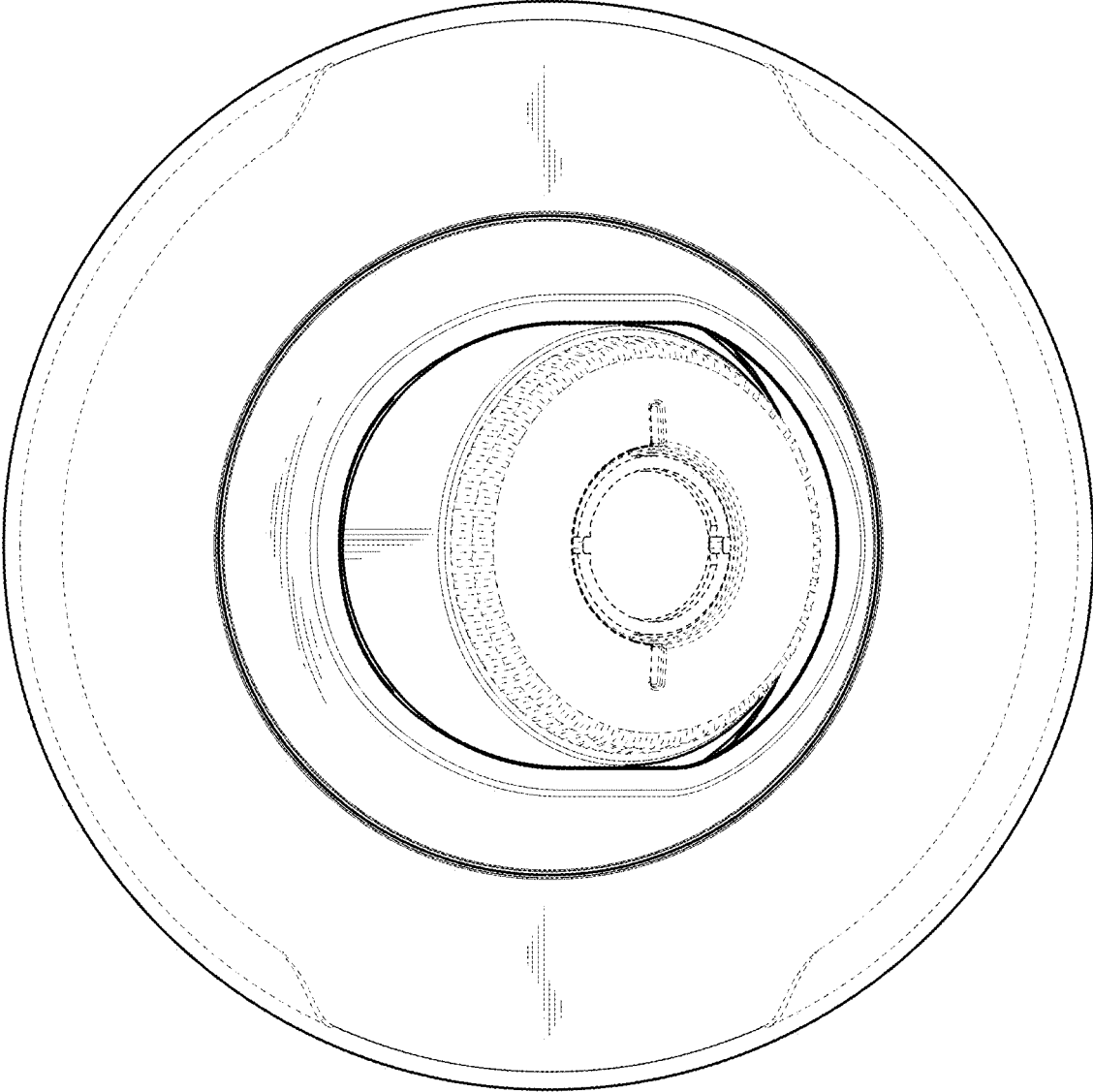


FIG. 13

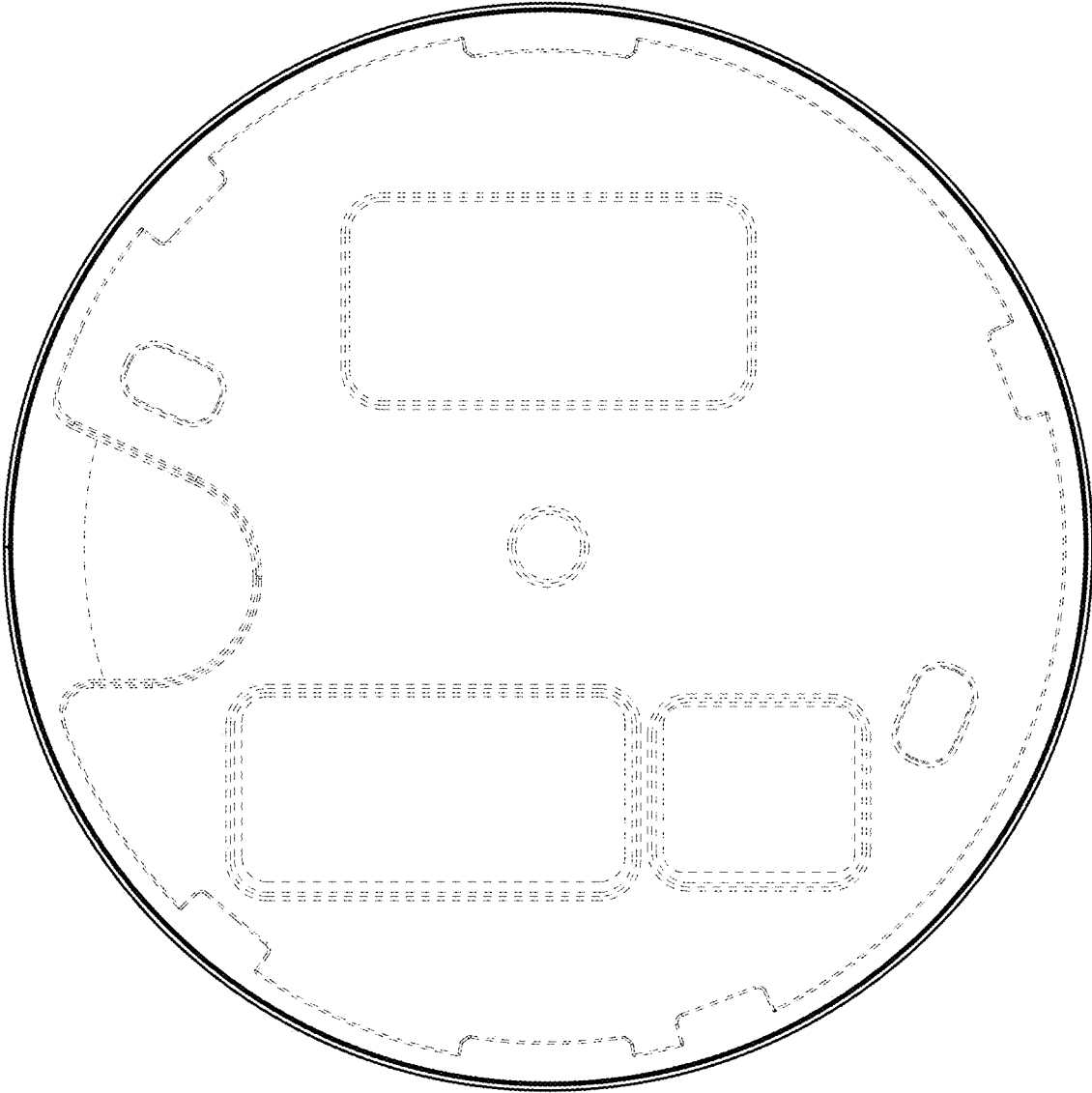


FIG. 14