

(19) World Intellectual Property Organization
International Bureau



(43) International Publication Date
30 November 2006 (30.11.2006)

PCT

(10) International Publication Number
WO 2006/127644 A3

(51) International Patent Classification:
B60R 13/02 (2006.01)

GB, GD, GE, GH, GM, HR, HU, ID, IL, IN, IS, JP, KE, KG, KM, KN, KP, KR, KZ, LC, LK, LR, LS, LT, LU, LV, LY, MA, MD, MG, MK, MN, MW, MX, MZ, NA, NG, NI, NO, NZ, OM, PG, PH, PL, PT, RO, RU, SC, SD, SE, SG, SK, SL, SM, SY, TJ, TM, TN, TR, TT, TZ, UA, UG, US, UZ, VC, VN, YU, ZA, ZM, ZW.

(21) International Application Number:
PCT/US2006/019815

(22) International Filing Date: 23 May 2006 (23.05.2006)

(25) Filing Language: English

(26) Publication Language: English

(30) Priority Data:
11/134,942 23 May 2005 (23.05.2005) US
11/332,107 13 January 2006 (13.01.2006) US

(84) Designated States (unless otherwise indicated, for every kind of regional protection available): ARIPO (BW, GH, GM, KE, LS, MW, MZ, NA, SD, SL, SZ, TZ, UG, ZM, ZW), Eurasian (AM, AZ, BY, KG, KZ, MD, RU, TJ, TM), European (AT, BE, BG, CH, CY, CZ, DE, DK, EE, ES, FI, FR, GB, GR, HU, IE, IS, IT, LT, LU, LV, MC, NL, PL, PT, RO, SE, SI, SK, TR), OAPI (BF, BJ, CF, CG, CI, CM, GA, GN, GQ, GW, ML, MR, NE, SN, TD, TG).

(71) Applicant and
(72) Inventor: WINBORN, Jay [US/US]; 3036 Bacon Avenue, Berkley, MI 48072 (US).

Published:
— with international search report
— before the expiration of the time limit for amending the claims and to be republished in the event of receipt of amendments

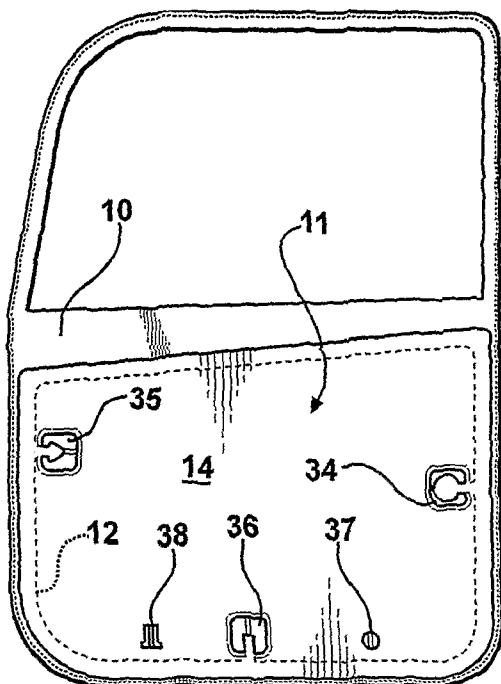
(74) Agent: GZYBOWSKI, Michael, S.; BUTZEL LONG, 350 South Main Street, Suite 300, Ann Arbor, MI 48104 (US).

(88) Date of publication of the international search report:
4 January 2007

(81) Designated States (unless otherwise indicated, for every kind of national protection available): AE, AG, AL, AM, AT, AU, AZ, BA, BB, BG, BR, BW, BY, BZ, CA, CH, CN, CO, CR, CU, CZ, DE, DK, DM, DZ, EC, EE, EG, ES, FI,

For two-letter codes and other abbreviations, refer to the "Guidance Notes on Codes and Abbreviations" appearing at the beginning of each regular issue of the PCT Gazette.

(54) Title: AUTOMOBILE DOOR ASSEMBLIES



(57) Abstract: A barrier panel (1) for vehicle door assemblies that is provided with snap attachment structures (3, 15) that extend outward from an outboard side thereof. The snap attachment structures (3, 15) are configured to engage various structures, including notches, tabs and/or individual discrete holes provided in the inboard surface of a door panel (2, 10).



WO 2006/127644 A3

INTERNATIONAL SEARCH REPORT

International application No
PCT/US2006/019815

A. CLASSIFICATION OF SUBJECT MATTER INV. B60R13/02		
According to International Patent Classification (IPC) or to both national classification and IPC		
B. FIELDS SEARCHED		
Minimum documentation searched (classification system followed by classification symbols) B29C B60R B60J		
Documentation searched other than minimum documentation to the extent that such documents are included in the fields searched		
Electronic data base consulted during the international search (name of data base and, where practical, search terms used) EPO-Internal, PAJ		
C. DOCUMENTS CONSIDERED TO BE RELEVANT		
Category*	Citation of document, with indication, where appropriate, of the relevant passages	Relevant to claim No.
X	WO 01/32456 A2 (BUDD CO [US]) 10 May 2001 (2001-05-10) figures 1-7	1-3, 7-11, 15-17
X	WO 2004/108481 A (JOHNSON CONTR INTERIORS GMBH [DE]; SCHROEDER HELMUT [DE]; SCHIDAN ALEX) 16 December 2004 (2004-12-16) figures 6,7	1-3,6-9, 11, 14-16, 18,19
X	US 6 035 601 A (YAMAGUCHI ATSUYOSHI [JP] ET AL) 14 March 2000 (2000-03-14) column 5, line 51 - line 53; figure 1 column 6, line 24 - line 25 ----- -/--	1,8
<input checked="" type="checkbox"/> Further documents are listed in the continuation of Box C.		
<input checked="" type="checkbox"/> See patent family annex.		
* Special categories of cited documents :		
"A" document defining the general state of the art which is not considered to be of particular relevance "E" earlier document but published on or after the international filing date "L" document which may throw doubts on priority claim(s) or which is cited to establish the publication date of another citation or other special reason (as specified) "O" document referring to an oral disclosure, use, exhibition or other means "P" document published prior to the international filing date but later than the priority date claimed	"T" later document published after the international filing date or priority date and not in conflict with the application but cited to understand the principle or theory underlying the invention "X" document of particular relevance; the claimed invention cannot be considered novel or cannot be considered to involve an inventive step when the document is taken alone "Y" document of particular relevance; the claimed invention cannot be considered to involve an inventive step when the document is combined with one or more other such documents, such combination being obvious to a person skilled in the art. "&" document member of the same patent family	
Date of the actual completion of the international search 27 October 2006		Date of mailing of the international search report 07/11/2006
Name and mailing address of the ISA/ European Patent Office, P.B. 5818 Patentlaan 2 NL - 2280 HV Rijswijk Tel. (+31-70) 340-2040, Tx. 31 651 epo nl, Fax: (+31-70) 340-3016		Authorized officer Yildirim, Ismet

INTERNATIONAL SEARCH REPORT

International application No
PCT/US2006/019815

C(Continuation). DOCUMENTS CONSIDERED TO BE RELEVANT		
Category*	Citation of document, with indication, where appropriate, of the relevant passages	Relevant to claim No.
X	EP 1 291 211 A1 (JOHNSON CONTROLS GMBH [DE]; KIEKERT AG [DE]) 12 March 2003 (2003-03-12) figures 1,29	1,8

INTERNATIONAL SEARCH REPORT

Information on patent family members

International application No

PCT/US2006/019815

Patent document cited in search report		Publication date		Patent family member(s)	Publication date
WO 0132456	A2	10-05-2001	AU	2620301 A	14-05-2001
			US	6381906 B1	07-05-2002
WO 2004108481	A	16-12-2004	CN	1723140 A	18-01-2006
			DE	10326154 A1	05-01-2005
			EP	1636068 A1	22-03-2006
			US	2006043764 A1	02-03-2006
US 6035601	A	14-03-2000	DE	19653501 A1	03-07-1997
			JP	9169214 A	30-06-1997
EP 1291211	A1	12-03-2003	AT	286459 T	15-01-2005
			DE	10144330 A1	30-04-2003