



- (51) International Patent Classification:
H01F 38/14 (2006.01) *H04B 1/48* (2006.01)
- (21) International Application Number:
PCT/US2016/021877
- (22) International Filing Date:
10 March 2016 (10.03.2016)
- (25) Filing Language: English
- (26) Publication Language: English
- (30) Priority Data:
62/131,800 11 March 2015 (11.03.2015) US
15/067,025 10 March 2016 (10.03.2016) US
- (71) Applicant: INTEGRATED DEVICE TECHNOLOGY, INC. [US/US]; 6024 Silver Creek Valley Road, San Jose, California 95138 (US).
- (72) Inventor: NALBANT, Mehmet K.; 7587 Newcastle Drive, Cupertino, CA 95014 (US).
- (74) Agents: EDWARDS, Gary J. et al.; HAYNES and BOONE, LLP, 2323 Victory Avenue, Suite 700, Dallas, Texas 75219 (US).
- (81) Designated States (unless otherwise indicated, for every kind of national protection available): AE, AG, AL, AM, AO, AT, AU, AZ, BA, BB, BG, BH, BN, BR, BW, BY, BZ, CA, CH, CL, CN, CO, CR, CU, CZ, DE, DK, DM,

DO, DZ, EC, EE, EG, ES, FI, GB, GD, GE, GH, GM, GT, HN, HR, HU, ID, IL, IN, IR, IS, JP, KE, KG, KN, KP, KR, KZ, LA, LC, LK, LR, LS, LU, LY, MA, MD, ME, MG, MK, MN, MW, MX, MY, MZ, NA, NG, NI, NO, NZ, OM, PA, PE, PG, PH, PL, PT, QA, RO, RS, RU, RW, SA, SC, SD, SE, SG, SK, SL, SM, ST, SV, SY, TH, TJ, TM, TN, TR, TT, TZ, UA, UG, US, UZ, VC, VN, ZA, ZM, ZW.

(84) Designated States (unless otherwise indicated, for every kind of regional protection available): ARIPO (BW, GH, GM, KE, LR, LS, MW, MZ, NA, RW, SD, SL, ST, SZ, TZ, UG, ZM, ZW), Eurasian (AM, AZ, BY, KG, KZ, RU, TJ, TM), European (AL, AT, BE, BG, CH, CY, CZ, DE, DK, EE, ES, FI, FR, GB, GR, HR, HU, IE, IS, IT, LT, LU, LV, MC, MK, MT, NL, NO, PL, PT, RO, RS, SE, SI, SK, SM, TR), OAPI (BF, BJ, CF, CG, CI, CM, GA, GN, GQ, GW, KM, ML, MR, NE, SN, TD, TG).

Declarations under Rule 4.17:

- as to the identity of the inventor (Rule 4.17(i))
- as to applicant's entitlement to apply for and be granted a patent (Rule 4.17(ii))
- as to the applicant's entitlement to claim the priority of the earlier application (Rule 4.17(iii))

Published:

- with international search report (Art. 21(3))

(54) Title: ADAPTIVE RESONANT TOPOLOGY APPLICATION IN WEARABLE DEVICES

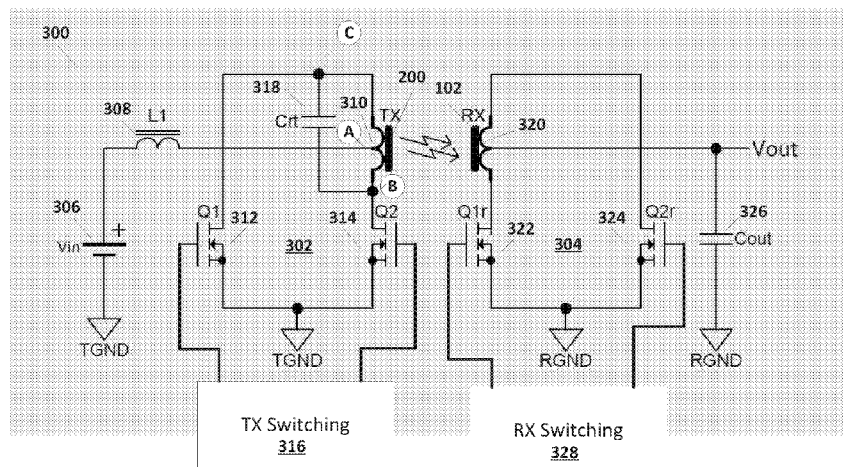


Figure 3A

(57) Abstract: A wireless power transmission system is presented. The wireless power circuit includes an adaptive transmitter coupled to a transmit coil; a receive coil in interaction with the transmit coil, the receive coil being thin and having an inner diameter large enough to accommodate sensors of a wearable device; and a receive circuit receiving power from the receive coil.

WO 2016/145257 A1

ADAPTIVE RESONANT TOPOLOGY APPLICATION IN WEARABLE DEVICES

Mehmet K. Nalbant

RELATED APPLICATION

[0001] The present application claims priority to U.S. Provisional Patent Application 62/131,800, entitled “Adaptive Resonant Topology Application in Wearable Devices,” by Mehmet K. Nalbant, filed on March 11, 2015, which is herein incorporated by reference its entirety.

BACKGROUND

Technical Field

[0002] Embodiments of the present invention are related to adaptive resonant wireless charging in wearable devices.

Discussion of Related Art

[0003] Wearable devices, for example smart watches, have sensor technology that may be present in the center of any wireless receive coils that may be present. The complication of the sensor locations and the low efficiencies of wireless charging have made wireless charging technologies unattractive for wearable devices.

[0004] Therefore, there is a need to develop better wireless charging technologies for wearable devices.

SUMMARY

[0005] In accordance with aspects of the presents a wireless power transmission system. The wireless power circuit includes an adaptive transmitter coupled to a transmit coil; a receive coil in interaction with the transmit coil, the receive coil being thin and having an inner diameter large enough to accommodate sensors of a wearable device; and a receive circuit receiving power from the receive coil.

[0006] A wireless power transmitter according to some embodiments of the present invention can include an adaptively controlled transmitter; and a transmit coil coupled to the adaptively controlled transmitter, the transmit coil being adapted to couple with a thin receiver coil with a large inner diameter to accommodate sensors.

[0007] A wireless power receiver according to some embodiments of the present invention includes a receive coil, the receive coil being thin and having an inner diameter large enough to accommodate sensors; and a circuit coupled to the receive coil to receive power at a frequency adaptively chosen by an adaptive transmitter.

[0008] These and other embodiments are further discussed below with respect to the following figures.

BRIEF DESCRIPTION OF THE DRAWINGS

[0009] Figure 1 illustrates a wearable device with a receive coil.

[0010] Figure 2 illustrates a transmit coil that can be used with the receive coil illustrated in Figure 1.

[0011] Figures 3A and 3B illustrate in more detail an example of a transmitter and receiver pair according to some embodiments of the present invention.

[0012] Figure 4 illustrates the efficiency versus output power relationship for a transmit coil/receive coil combination according to some embodiments of the present invention.

[0013] Figure 5 illustrates the voltage and frequency versus output current for a transmit coil/receive coil combination according to some embodiments of the present invention.

[0014] Figure 6 illustrates a schematic drawing of a transmitter and receiver according to some embodiments of the present invention.

DETAILED DESCRIPTION

[0015] In the following description, specific details are set forth describing some embodiments of the present invention. It will be apparent, however, to one skilled in the art that some embodiments may be practiced without some or all of these specific details. The specific embodiments disclosed herein are meant to be illustrative but not limiting. One skilled in the art

may realize other elements that, although not specifically described here, are within the scope and the spirit of this disclosure.

[0016] This description and the accompanying drawings that illustrate inventive aspects and embodiments should not be taken as limiting--the claims define the protected invention. Various changes may be made without departing from the spirit and scope of this description and the claims. In some instances, well-known structures and techniques have not been shown or described in detail in order not to obscure the invention.

[0017] Elements and their associated aspects that are described in detail with reference to one embodiment may, whenever practical, be included in other embodiments in which they are not specifically shown or described. For example, if an element is described in detail with reference to one embodiment and is not described with reference to a second embodiment, the element may nevertheless be claimed as included in the second embodiment.

[0018] Some embodiments of the present invention present a high efficiency Adaptive Resonant (AR) topology application with receiver (RX) and transmitter (TX) coils specifically designed for smart watch applications where a number of sensors have to go through or be present at the center area of the RX coil. Smart watches and similar wearable devices often have sensors present in the center of the wireless RX coils. In addition to the sensor difficulty, current wireless power implementations suffer from low efficiency. Applying an AR wireless topology with RX and TX coils with large inner diameter area removed of magnetic shield material allows these sensors to 'go through' while at the same providing high efficiency power transfer.

[0019] AR topology already allows for high efficiency wireless power transfer. Utilizing this topology with RX/TX Coils that have large center sections of their magnetic shield removed has the effect of redirecting the magnetic flux away from metal areas present in the sensors, thus preventing eddy current losses. This results in high efficiency operation.

[0020] Previous efforts have utilized WPC qi like circuits and coils design. The best performance obtained thus far is about 50% efficiency.

[0021] Figure 1 illustrates a wearable device 100. As shown in the example of Figure 1, wearable device 100 includes a RX coil 102 and sensors 104 located in the center of RX coil

102. Sensors 104 can be any sensors that are used by wearable device 100. Figure 2 illustrates a TX coil 200 that can be used to supply power to RX coil 102. In embodiments of the present invention, TX coil 200 is driven with an adaptive resonant driver that optimizes power transfer between TX coil 200 and RX coil 102.

[0022] RX coil 102 and TX coil 200 are specifically adapted to wearable device 100. RX coil 102 can be absent of magnetic shielding material at its center and is of large enough diameter to accommodate sensors 104. Additionally, RX coil 102 may be relatively thin (e.g., thinner than sensors 104) so as to not interfere with sensors 104, some of which may be in contact with a user directly when device 100 is worn.

[0023] Figures 3A and 3B illustrate in more detail a system 300 with an example transmit circuit 302 and an example receive circuit 304 according to some embodiments. As shown in Figure 3A, transmitter 302 receives an input voltage V_{in} from power source 306, which is coupled through an inductor 308 (L1) to a center tap 310 of TX coil 200. In some embodiments, transmitter coil 200 may not include a center tap 310 and other configurations may be derived for transmitter 302. A capacitor 318 (Crt) is connected across TX coil 200 and FETs 312 (Q1) and 314 (Q2) are coupled between each side of TX coil 200 and ground. The gates of FETs 312 and 314 are coupled to TX switching 316, which alternates grounding of each side of TX coil 200 in order to activate TX coil 200.

[0024] Figure 3B illustrates voltage vs. time curves at points A, B, and C in the transmitter circuit 302. Point A is the voltage at the center tap 310 of TX coil 200, which as shown alternates between 0 and V_{in} . Point B is the Drain of transistor 314 (Q2) and point C is the drain of transistor 312 (Q1). As is illustrated, transistors 312 and 314 are turned on (the drain is then ground) by TX switching 316 as the voltage at the drain of that transistor decreases to 0 and is turned off when the drain of the other transistor decreases to 0. Consequently, the frequency at which TX switching 316 switches transistors 312 (Q1) and 314 (Q2) is determined by the dynamics of the transmit/receive circuit itself. This arrangement further provides for an operating frequency that maximizes the power transferred between the TX coil 200 and RX coil 102. Such an arrangement is referred to herein as an adaptive transmit arrangement.

[0025] The receive circuit illustrated in Figure 3A receives power through RX coil 102 in a similar fashion. Transistors 322 (Q1r) and 324 (Q2r), which rectify the power signal received by RX coil 102, are switched by RX switching 328 similarly as that described above with respect to TX switching 316 for transmit transistors 312 (Q1) and 314 (Q2). Consequently, transistors 322 (Q1r) and 314 (Q2r) are switched at a frequency that matches the switching frequency of transistors 312 (Q1) and 314 (Q2).

[0026] Transistors 322 (Q1r) and 324 (Q2r) allow for a half-duplex rectification of the signal V_{out} taken from center tap 320 of coil 102. Capacitor 326 (C_{out}) filters the signal V_{out} to a DC voltage.

[0027] As a particular example of a system 300, RX coil 102 can have an outer diameter of 29 mm, an inner diameter of 19 mm, and a thickness of less than 0.5 mm. Correspondingly, TX coil 200 can have an OD of 29 mm, an ID of 18 mm, and a thickness of less than 1.5 mm. Using these dimensions, the efficiency of power transfer between TX coil 200 and RX coil 120, operating as described with respect to system 300 of Figure 3A, is illustrated in Figure 4. As is illustrated in Figure 4, the efficiency at power levels above about 1 W of transmit power is greater than 75%.

[0028] Figure 5 illustrates the output voltage V_{out} of a receiver and frequency as a function of output current for the TX/RX pair described above. In the illustration of Figure 4, V_{in} is 5.0 V. Curve 502 illustrates the output voltage V_{out} as a function of output current I_{out} while curve 504 illustrates the operating frequency as a function of output current I_{out} .

[0029] Figure 6 illustrates a TX/RX schematic illustrating the adaptive transmitter and receiver pair of system 300 as illustrated in Figure 3A, according to some embodiments of the present invention. As is shown in Figure 5, transmitter circuit 302 includes TX coil 200 is driven by IC 502. IC 502 receives an input voltage V_{in} and provides switching at a frequency that minimizes the impedance of the interacting TX coil 200 and RX coil 102 pair, thus maximizing the power transferred between TX coil 200 and RX coil 102. Receiver circuit 304 includes IC 504 that matches the switching frequency provided by IC 502 in order to efficiently receive the power from RX coil 102 and provide an output voltage V_{out} that can be used by wearable device 100.

[0030] The above detailed description is provided to illustrate specific embodiments of the present invention and is not intended to be limiting. Numerous variations and modifications within the scope of the present invention are possible. The present invention is set forth in the following claims.

CLAIMS

What is claimed is:

1. A wireless power circuit, comprising:
 - an adaptive transmitter coupled to a transmit coil;
 - a receive coil in interaction with the transmit coil, the receive coil having an inner diameter large enough to accommodate one or more sensors of a wearable device; and
 - a receive circuit receiving power from the receive coil.

2. The circuit of claim 1, wherein the adaptive transmitter includes:
 - a power source coupled through an inductor to a center tap of the transmit coil;
 - a capacitor coupled across the transmit coil;
 - a first transistor coupled between a first side of the transmit coil and ground;
 - a second transistor coupled between a second side of the transmit coil and ground; and
 - a transmit switching circuit coupled to gates of the first transistor and the second transistor, the transmit switching circuit adaptively switching the first transistor and the second transistor such that the adaptive transmitter operates at a resonant frequency.

3. The circuit of claim 1, wherein the receive circuit includes:
 - a first transmitter coupled between a first side of the receive coil and ground;
 - a second transmitter coupled between a second side of the receive coil and ground; and
 - a receive switching circuit coupled to gates of the first transistor and the second transistor, the receive switching circuit adaptively switching the first transistor and the second transistor such that the receiver operates at a resonant frequency of the adaptive transmitter.

4. The circuit of claim 1, wherein the receive coil is thinner than the one or more sensors.
5. A wireless power transmitter, comprising:
 - an adaptively controlled transmitter; and
 - a transmit coil coupled to the adaptively controlled transmitter, the transmit coil being adapted to couple with a thin receiver coil with a large inner diameter to accommodate sensors.
6. The circuit of claim 5, wherein the adaptive transmitter includes:
 - a power source coupled through an inductor to a center tap of the transmit coil;
 - a capacitor coupled across the transmit coil;
 - a first transistor coupled between a first side of the transmit coil and ground;
 - a second transistor coupled between a second side of the transmit coil and ground; and
 - a transmit switching circuit coupled to gates of the first transistor and the second transistor, the transmit switching circuit adaptively switching the first transistor and the second transistor such that the adaptive transmitter operates at a resonant frequency.
7. A wireless power receiver, comprising:
 - a receive coil, the receive coil having an inner diameter large enough to accommodate sensors; and
 - a circuit coupled to the receive coil to receive power at a frequency adaptively chosen by an adaptive transmitter.
8. The circuit of claim 7, wherein the receive circuit includes:
 - a first transmitter coupled between a first side of the receive coil and ground;
 - a second transmitter coupled between a second side of the receive coil and ground; and

a receive switching circuit coupled to gates of the first transistor and the second transistor, the receive switching circuit adaptively switching the first transistor and the second transistor such that the receiver operates at a resonant frequency of the adaptive transmitter.

9. The circuit of claim 1, wherein the receive coil is thinner than the one or more sensors.

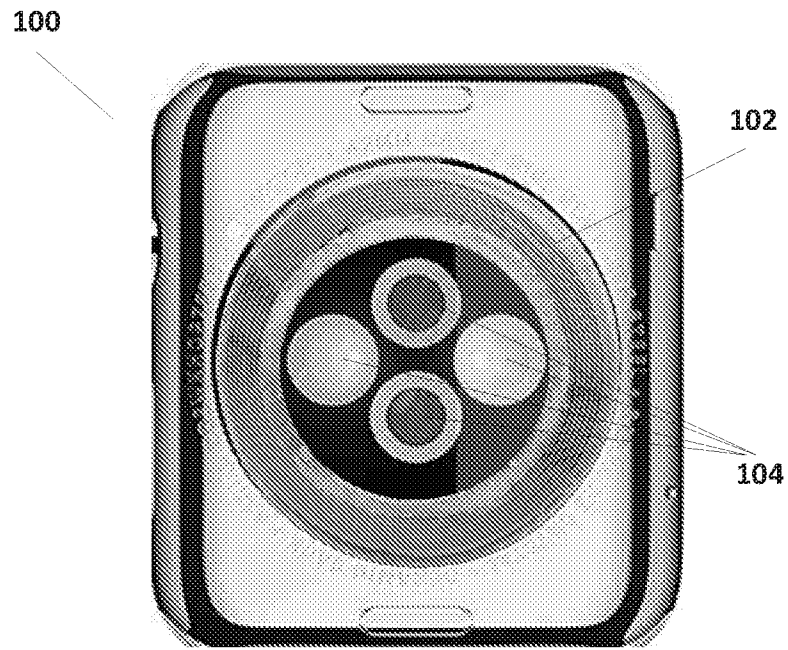


Figure 1

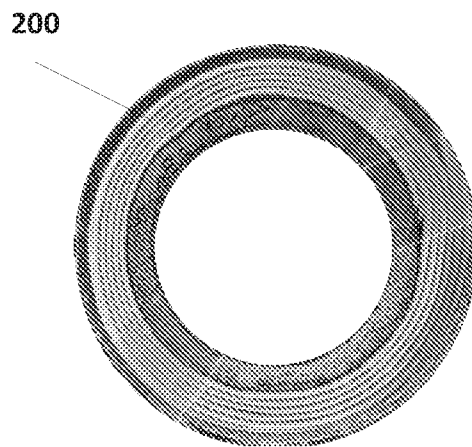


Figure 2

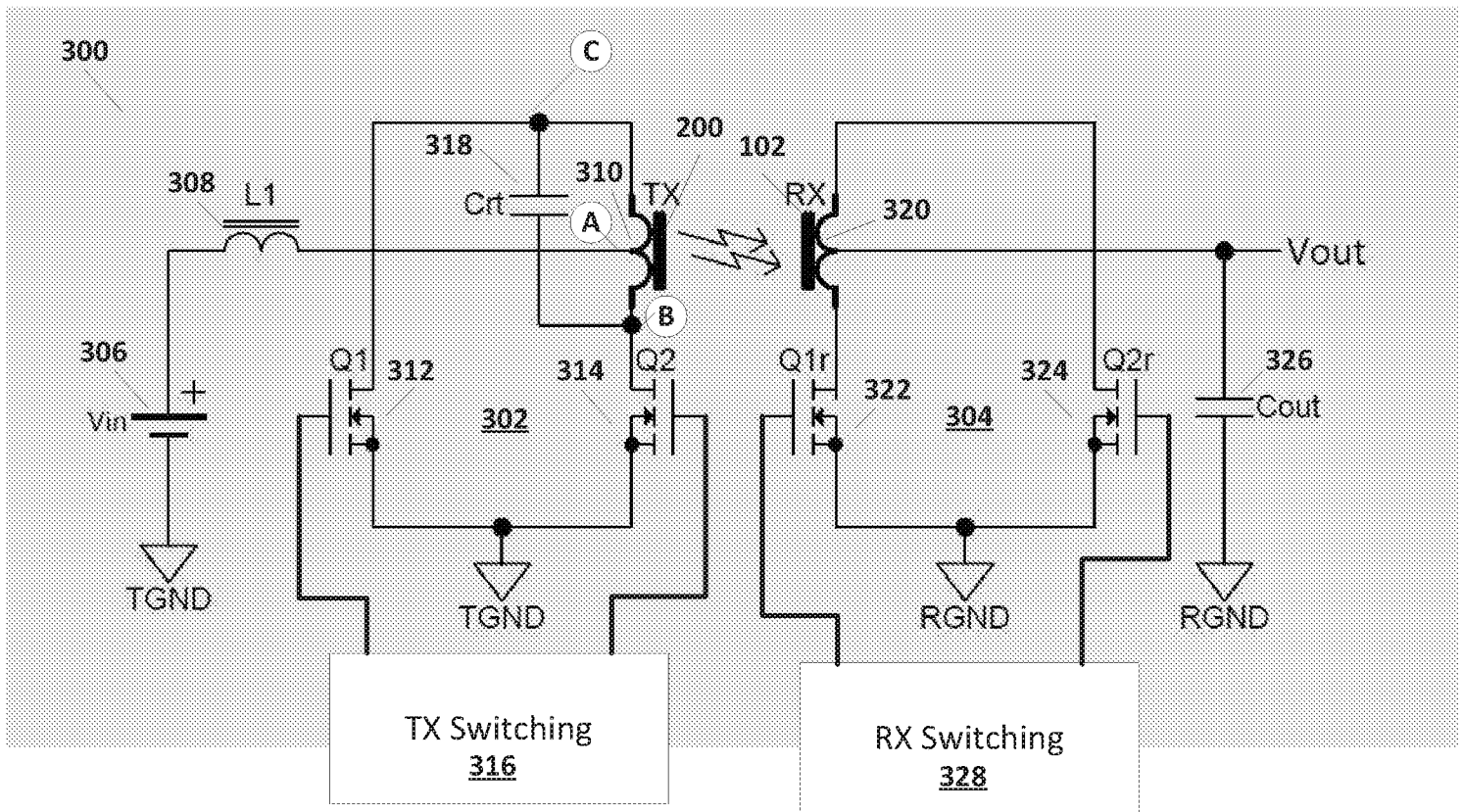


Figure 3A

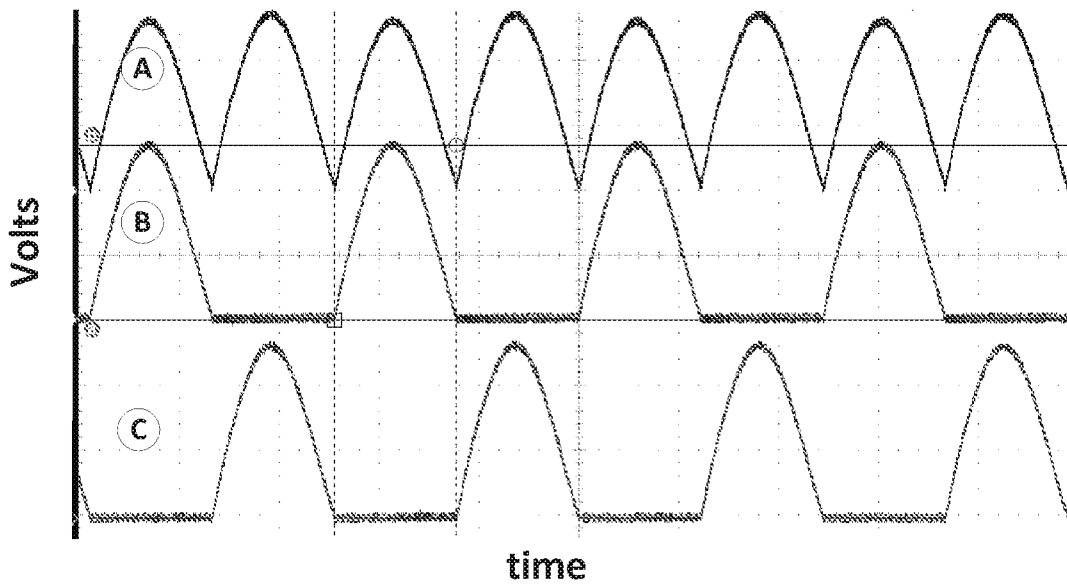


Figure 3B

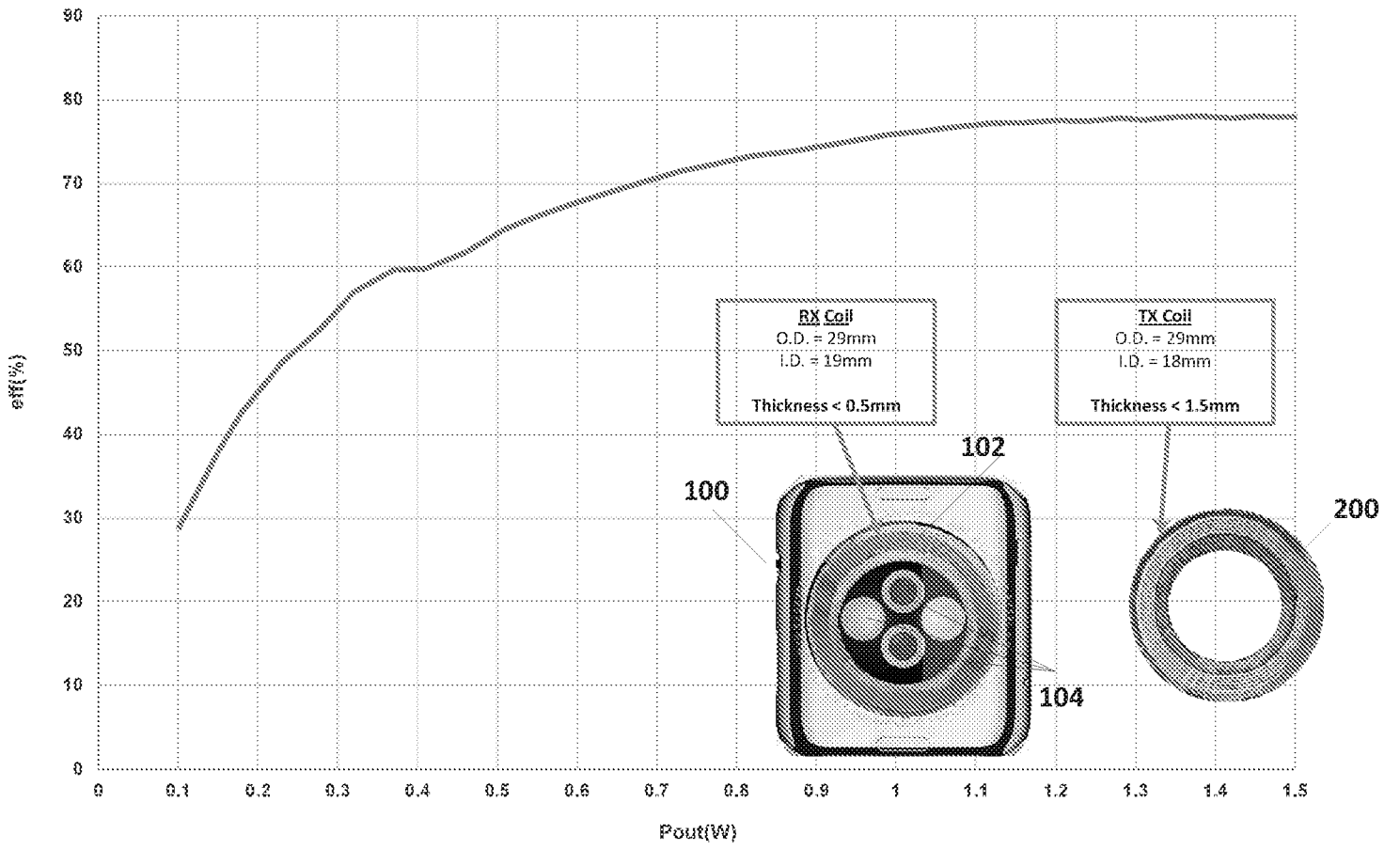


Figure 4

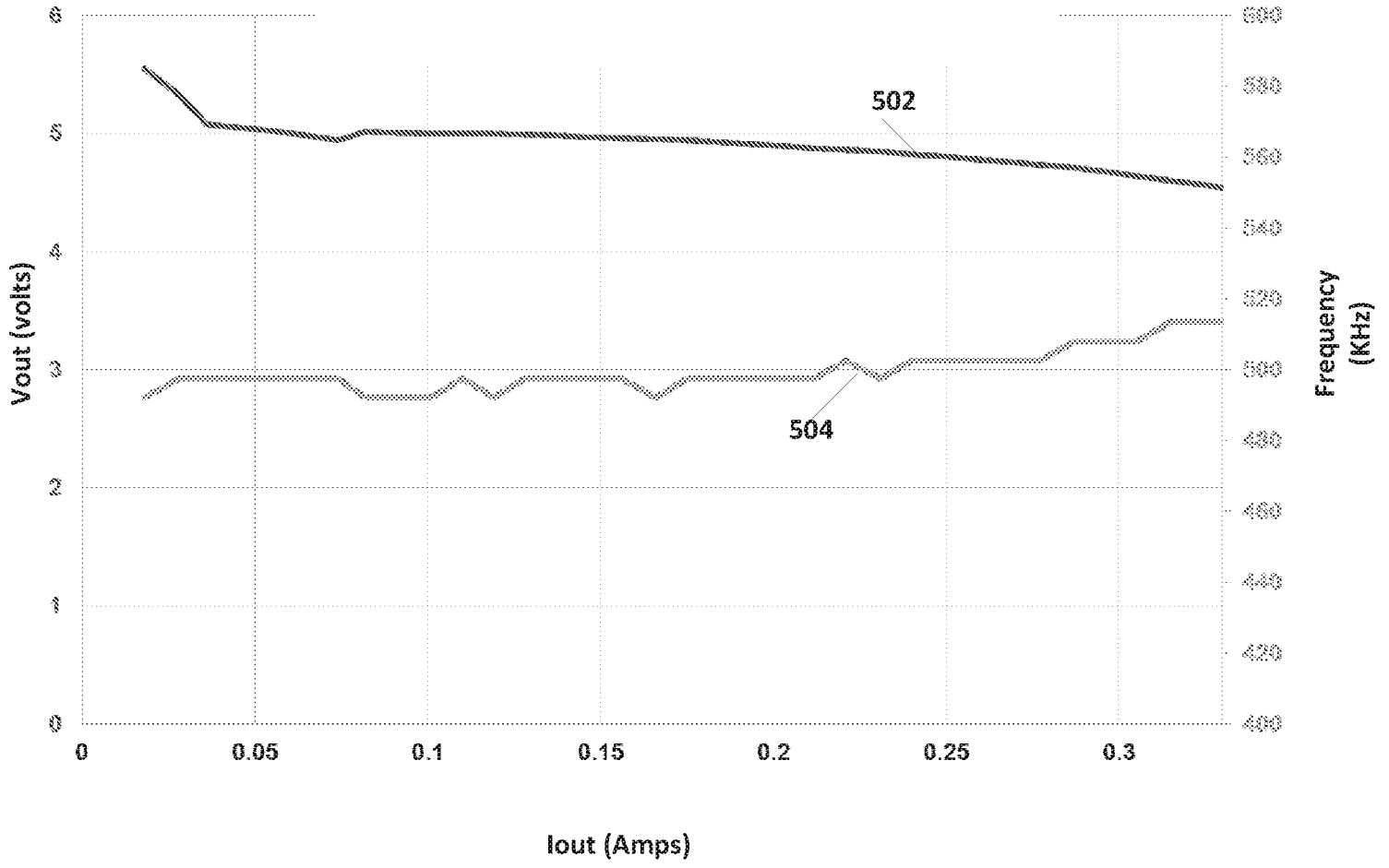


Figure 5

300

AR TX - RX Schematics

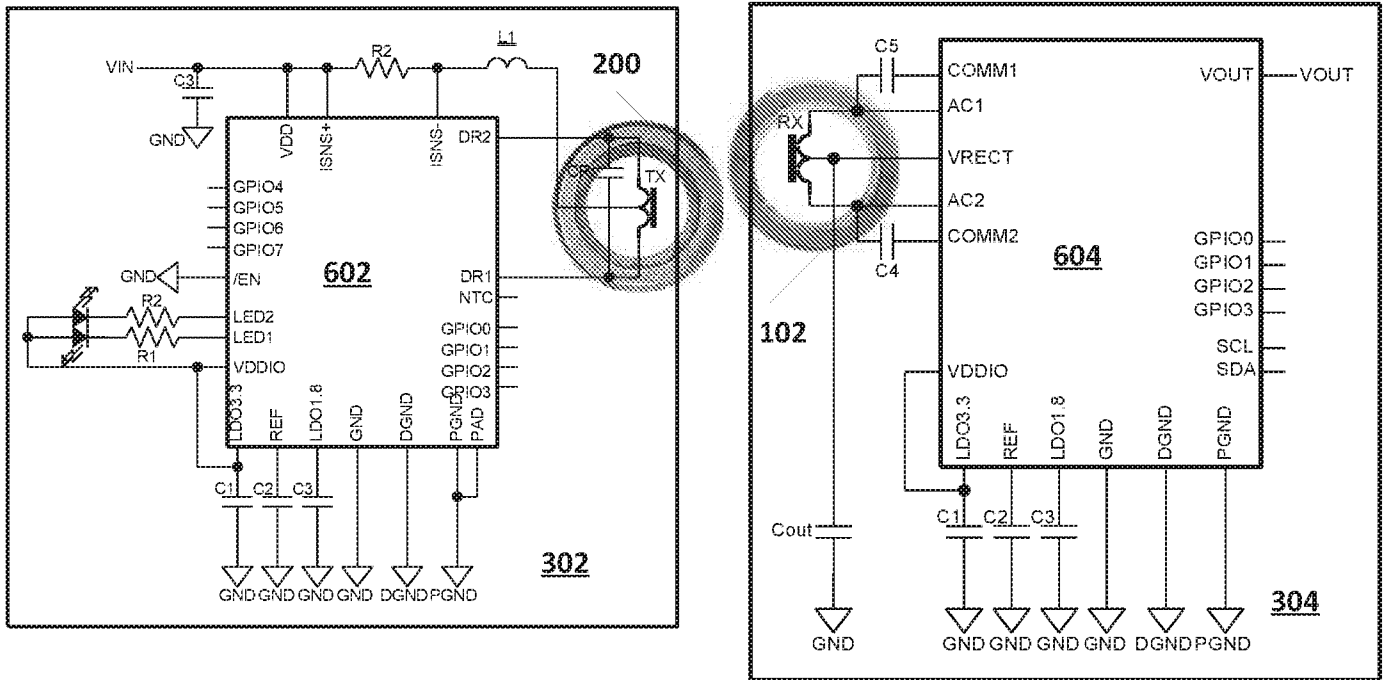


Figure 6

INTERNATIONAL SEARCH REPORT

International application No.

PCT/US2016/021877

A. CLASSIFICATION OF SUBJECT MATTER
 IPC(8) - H01F 38/14; H04B 1/48 (2016.01)
 CPC - H02J 5/005; H02J 7/025; H02J 17/00; H02J 2007/0096 (2016.01)
 According to International Patent Classification (IPC) or to both national classification and IPC

B. FIELDS SEARCHED
 Minimum documentation searched (classification system followed by classification symbols)
 IPC(8) - H01F 38/14; H04B 1/48 (2016.01)
 CPC - A61B 5/002; A61B 5/0015; A61B 5/002; A61B 5/0022; A61B 5/0024; A61B 2560/0214; A61B 2562/08; G06F 8/65; G06Q 20/322; G08C 17/02; H01F 38/14; H02J 5/005; H02J 7/025; H02J 17/00; H02J 2007/0096; H04L 65/403 (2016.01)
 Documentation searched other than minimum documentation to the extent that such documents are included in the fields searched
 USPC - 29/825; 307/104; 455/78 (keyword delimited)

Electronic data base consulted during the international search (name of data base and, where practicable, search terms used)
 Orbit, Google Patents, Google Scholar, Google.
 Search terms used: wearable device, receive coil, diameter, inner diameter, sensors, transmit coil, adaptive, resonance.

C. DOCUMENTS CONSIDERED TO BE RELEVANT

Category*	Citation of document, with indication, where appropriate, of the relevant passages	Relevant to claim No.
A	US 2013/0278076 A1 (HELLO INC.) 24 October 2013 (24.10.2013) entire document	1-9
A	US 2014/0132077 A1 (INTEGRATED DEVICE TECHNOLOGY) 15 May 2014 (15.05.2014) entire document	1-9
A	WO 2014/042681 A2 (ACCESS BUSINESS GROUP INTERNATIONAL LLC) 20 March 2014 (20.03.2014) entire document	1-9
A	US 2004/0130915 A1 (BAARMAN) 08 July 2004 (08.07.2004) entire document	1-9
A	US 2010/0201312 A1 (KIRBY et al.) 12 August 2010 (12.08.2010) entire document	1-9
A	US 2013/0043734 A1 (STONE et al.) 21 February 2013 (21.02.2013) entire document	1-9
A	US 8,729,736 B2 (URANO) 20 May 2014 (20.05.2014) entire document	1-9
A	US 2013/0214890 A1 (ZABACO) 22 August 2013 (22.08.2013) entire document	1-9

Further documents are listed in the continuation of Box C. See patent family annex.

* Special categories of cited documents:	
"A" document defining the general state of the art which is not considered to be of particular relevance	"T" later document published after the international filing date or priority date and not in conflict with the application but cited to understand the principle or theory underlying the invention
"E" earlier application or patent but published on or after the international filing date	"X" document of particular relevance; the claimed invention cannot be considered novel or cannot be considered to involve an inventive step when the document is taken alone
"L" document which may throw doubts on priority claim(s) or which is cited to establish the publication date of another citation or other special reason (as specified)	"Y" document of particular relevance; the claimed invention cannot be considered to involve an inventive step when the document is combined with one or more other such documents, such combination being obvious to a person skilled in the art
"O" document referring to an oral disclosure, use, exhibition or other means	"&" document member of the same patent family
"P" document published prior to the international filing date but later than the priority date claimed	

Date of the actual completion of the international search 28 April 2016	Date of mailing of the international search report 23 MAY 2016
--	--

Name and mailing address of the ISA/ Mail Stop PCT, Attn: ISA/US, Commissioner for Patents P.O. Box 1450, Alexandria, VA 22313-1450 Facsimile No. 571-273-8300	Authorized officer Blaine R. Copenheaver PCT Helpdesk: 571-272-4300 PCT OSP: 571-272-7774
---	--