



US00D455880S

(12) **United States Design Patent** (10) **Patent No.:** **US D455,880 S**
Nicoud et al. (45) **Date of Patent:** **** Apr. 16, 2002**

(54) **COLLECTOR FOR DOG DROPPINGS**

D421,823 S * 3/2000 Meier D34/1
D422,126 S * 3/2000 Mckeown et al. D34/1
D436,705 S * 1/2001 Dow et al. D34/5

(76) Inventors: **Joël Nicoud; Heidi Béatrice Nicoud,**
both of Domaine les Diochets, Les
Roussets, 01560 Curciat-Dongalon (FR)

FOREIGN PATENT DOCUMENTS

(**) Term: **14 Years**

CA	595453	4/1960
CH	601 078	6/1978
DE	41 40 769 C1	6/1993
DE	297 04 738 U1	7/1998
DE	299 05 244 U1	9/1999
EP	0082118	6/1983
FR	1 587 486	3/1970
FR	2 729 375	7/1996
GB	1 385 090	2/1975

(21) Appl. No.: **29/122,853**

(22) Filed: **May 5, 2000**

(30) **Foreign Application Priority Data**

Nov. 8, 1999 (FR) 99 7070

(51) **LOC (7) Cl.** **09-09**

(52) **U.S. Cl.** **D34/1; D34/7**

(58) **Field of Search** D34/1, 5, 11; 220/908,
220/910, 909, 911, 675, DIG. 12, 14; 232/1 E,
1 B, 43.2

* cited by examiner

Primary Examiner—Cynthia E. Ramirez

(74) *Attorney, Agent, or Firm*—Arent Fox Kintner Plotkin
& Kahn, PLLC

(56) **References Cited**

U.S. PATENT DOCUMENTS

1,327,778 A	1/1920	Reichman et al.	
2,007,042 A	7/1935	Duckett et al.	
3,642,336 A	2/1972	Harvey, Sr.	
3,845,858 A	11/1974	Jenkins	
D369,007 S	* 4/1996	Jones	D34/1
D381,157 S	* 7/1997	Kane	D34/1
D387,531 S	* 12/1997	Tisbo et al.	D34/1
D410,575 S	* 6/1999	Meier	D34/1

(57) **CLAIM**

The ornamental design for a collector for dog droppings, as shown.

DESCRIPTION

FIG. 1 is a perspective view for a collector for dog droppings showing our new design; FIG. 2 is a side view thereof; and, FIG. 3 is a rear view thereof.

1 Claim, 3 Drawing Sheets

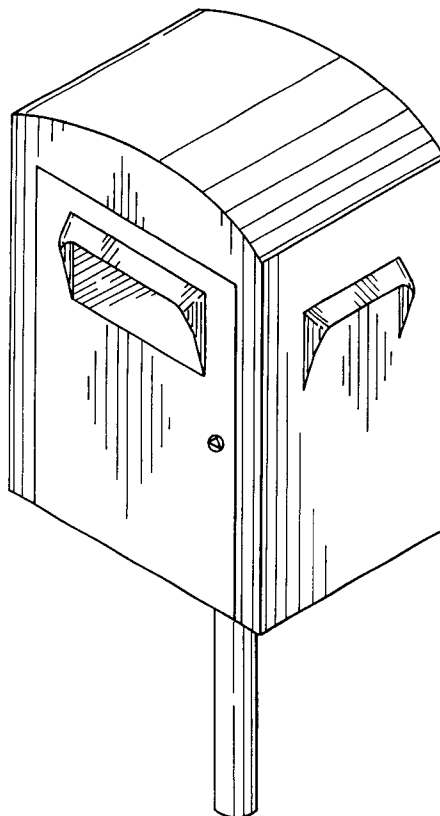
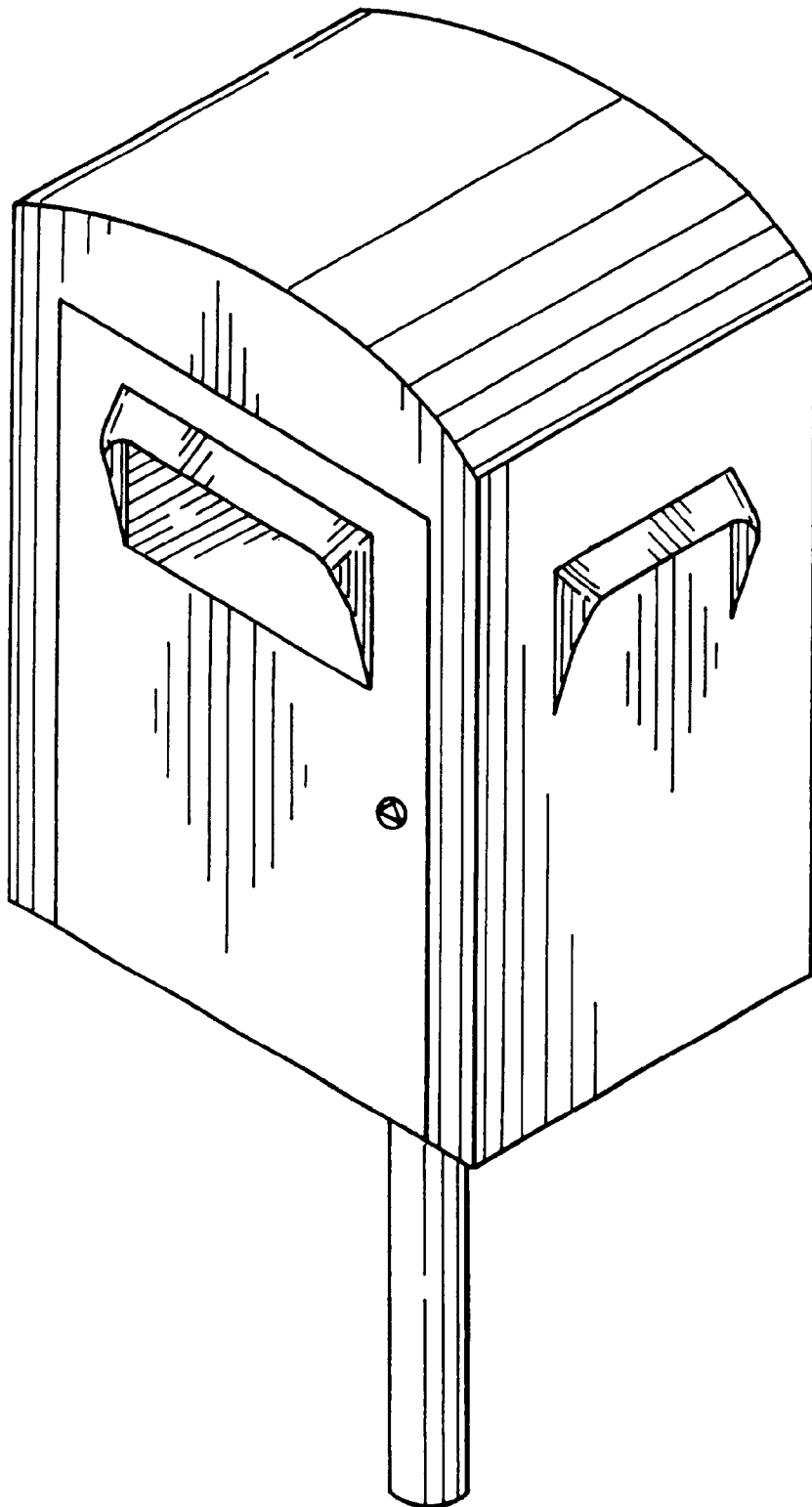


FIG. 1



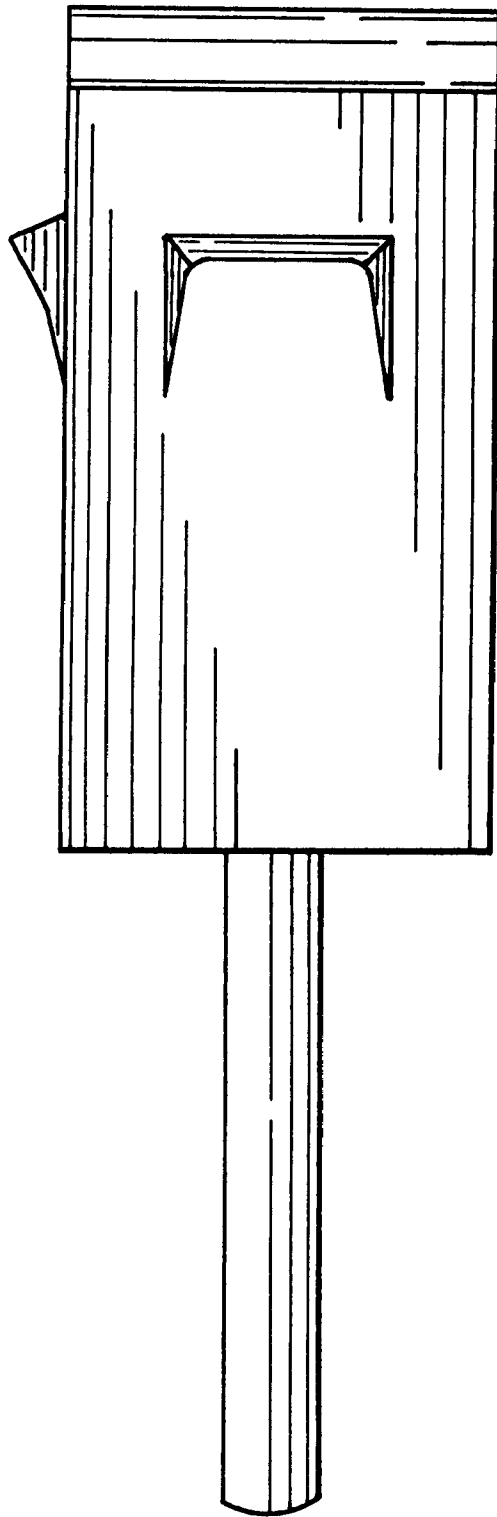


FIG.2

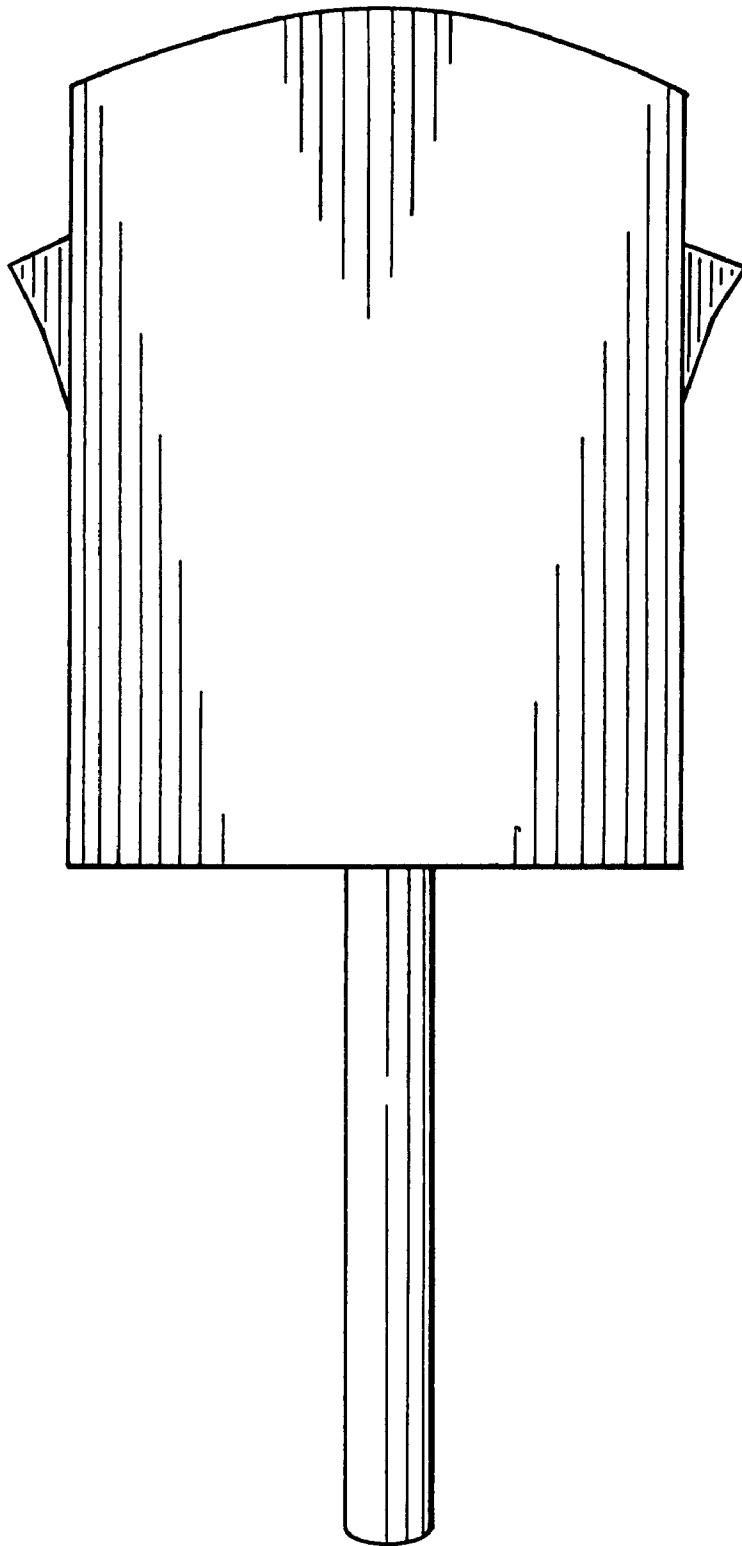


FIG.3