



US00D888227S

(12) **United States Design Patent** (10) **Patent No.:** **US D888,227 S**
Xiao (45) **Date of Patent:** **** Jun. 23, 2020**

(54) **SNORKEL MASK**
(71) Applicant: **Wenzi Xiao**, Shenzhen (CN)
(72) Inventor: **Wenzi Xiao**, Shenzhen (CN)
(**) Term: **15 Years**
(21) Appl. No.: **29/643,637**
(22) Filed: **Apr. 10, 2018**

2019/0118918 A1* 4/2019 Xiao B63C 11/16
2019/0224506 A1* 7/2019 Palmieri A62B 9/02
2019/0225311 A1* 7/2019 Barone B63C 11/16
2019/0359303 A1* 11/2019 Shiue B63C 11/12

FOREIGN PATENT DOCUMENTS

CN 304474963 * 1/2018
EM 005285186-0001 * 6/2018
KR 301013059.0000 * 7/2019

OTHER PUBLICATIONS

Darwin (Shenzhen) Sports Co., LTD. Catalog. Darwin Sports. Date retrieved: Oct. 8, 2019. Retrieved from Internet: <https://www.darwinsports.com/wp-content/uploads/2019/08/DARWIN-SPORTS-PRODUCTS-CATALOGE.pdf> (Year: 2019).*

* cited by examiner

Primary Examiner — Lilyana Bekic
(74) *Attorney, Agent, or Firm* — Jeffrey G. Degenfelder; Carstens & Cahoon, LLP

Related U.S. Application Data

(63) Continuation of application No. 15/789,717, filed on Oct. 20, 2017.
(51) **LOC (12) Cl.** **29-02**
(52) **U.S. Cl.**
USPC **D24/110.2**; D24/110.4
(58) **Field of Classification Search**
USPC D24/110–110.5; D29/110
CPC B63C 11/205; B63C 11/16; B63C 11/186;
B63C 11/12
See application file for complete search history.

(57) **CLAIM**

The ornamental design for a snorkel mask, as shown and described.

(56) **References Cited**

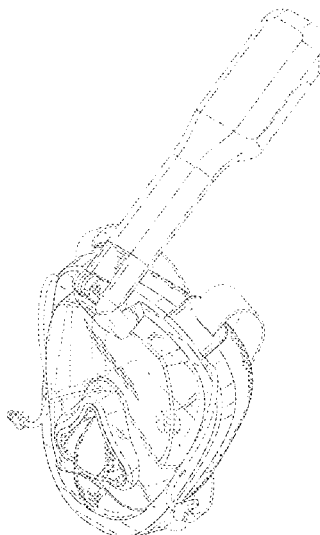
U.S. PATENT DOCUMENTS

D775,722 S * 1/2017 Caprice D24/110.2
D838,358 S * 1/2019 Xu D24/110.2
D839,408 S * 1/2019 Hu D24/110.2
D849,932 S * 5/2019 Caprice D24/110.2
D852,265 S * 6/2019 Liao D24/110.2
D852,266 S * 6/2019 Liao D24/110.2
D859,642 S * 9/2019 Xiong D24/110.2
D860,436 S * 9/2019 Chen D24/110.2
2016/0297505 A1 10/2016 Caprice et al.
2017/0096204 A1* 4/2017 Cucchia B63C 11/12
2018/0065719 A1* 3/2018 Liao B63C 11/14
2018/0297676 A1* 10/2018 Zheng B63C 11/16
2019/0023366 A1* 1/2019 Liao B63C 11/16
2019/0039702 A1* 2/2019 Gamberini B63C 11/12
2019/0118915 A1* 4/2019 Xiao B63C 11/16
2019/0118916 A1* 4/2019 Xiao B63C 11/16
2019/0118917 A1* 4/2019 Xiao B63C 11/16

DESCRIPTION

FIG. 1 is a front perspective view of the snorkel mask in accordance with my new design;
FIG. 2 is a rear perspective view thereof;
FIG. 3 is a second rear perspective view thereof;
FIG. 4 is a front elevation view thereof;
FIG. 5 is a rear elevation view thereof;
FIG. 6 is a right side elevation view thereof, the left side view being a mirror image thereof;
FIG. 7 is a top view thereof; and,
FIG. 8 is a bottom view thereof.
The broken lines in the drawings depict portions of the snorkel mask that form no part of the claimed design.

1 Claim, 8 Drawing Sheets



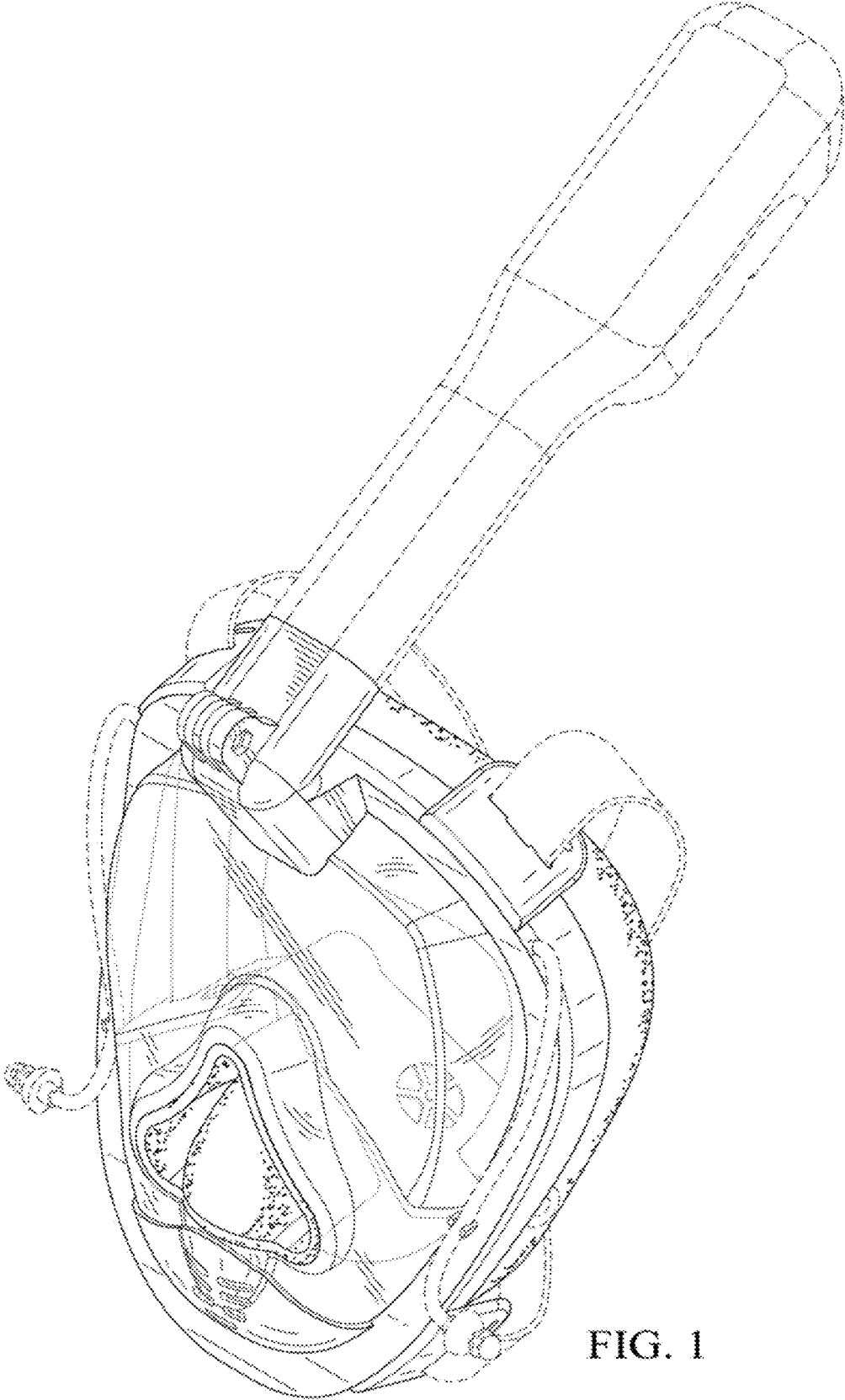


FIG. 1

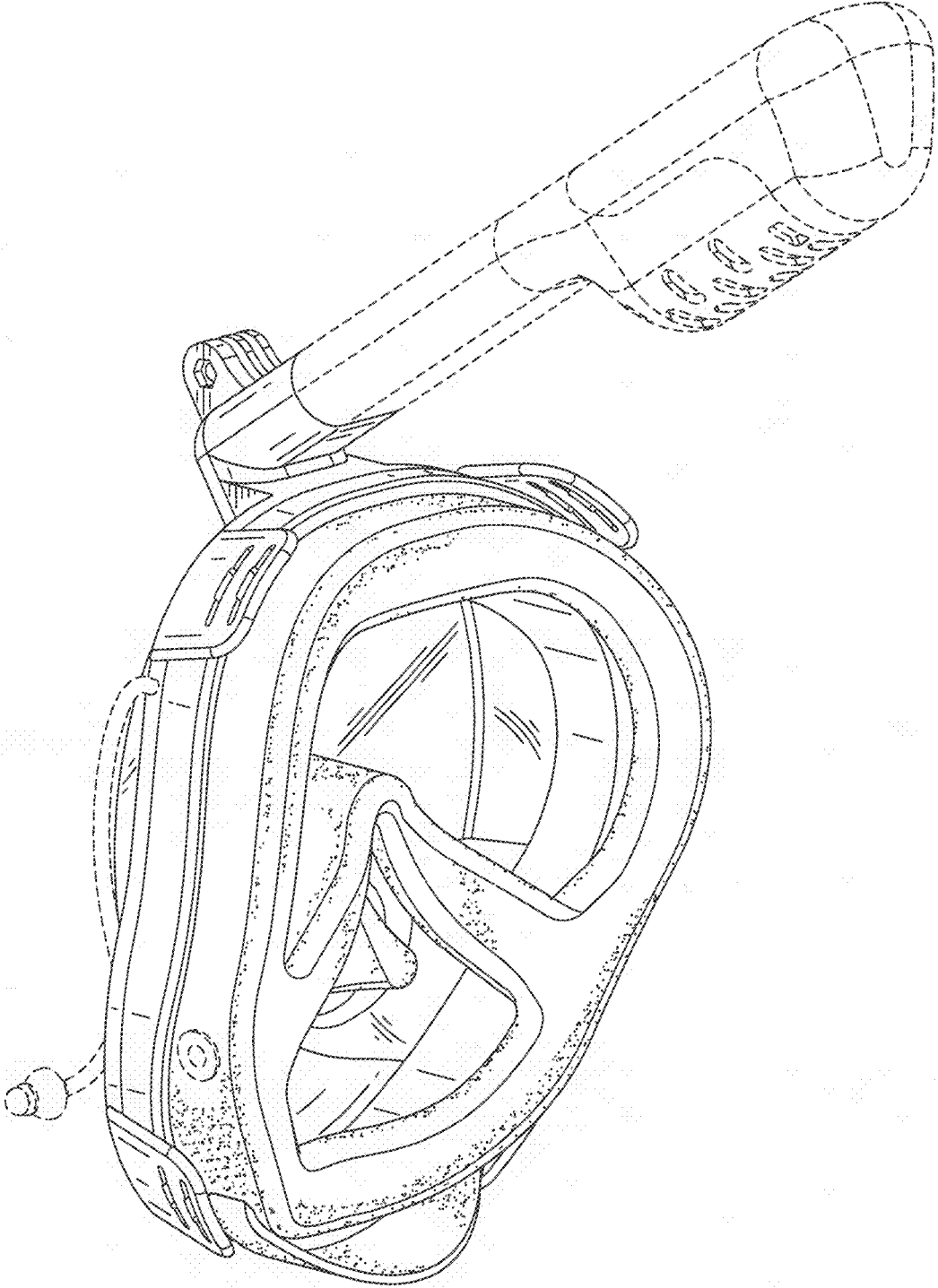


FIG. 2

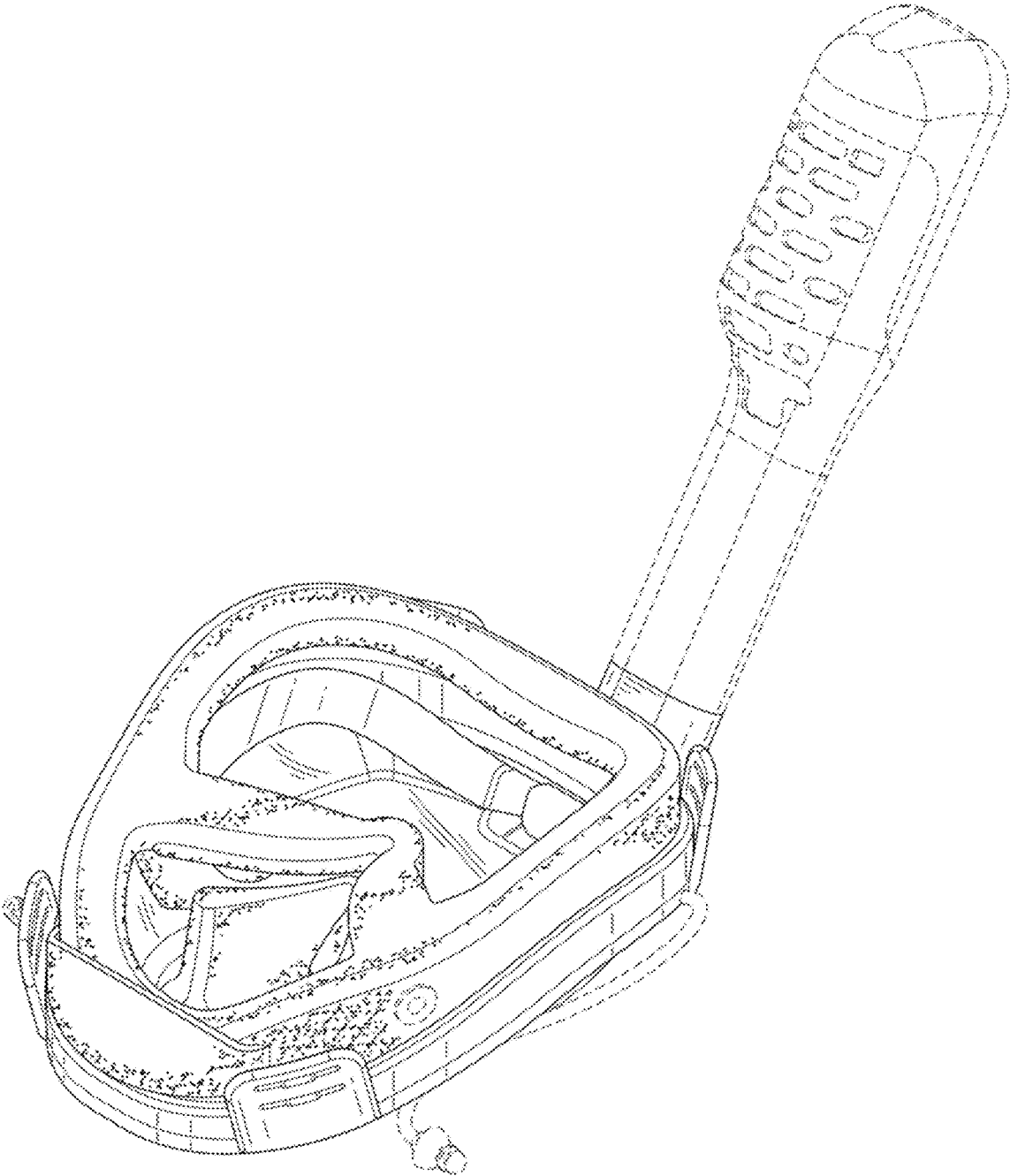


FIG. 3

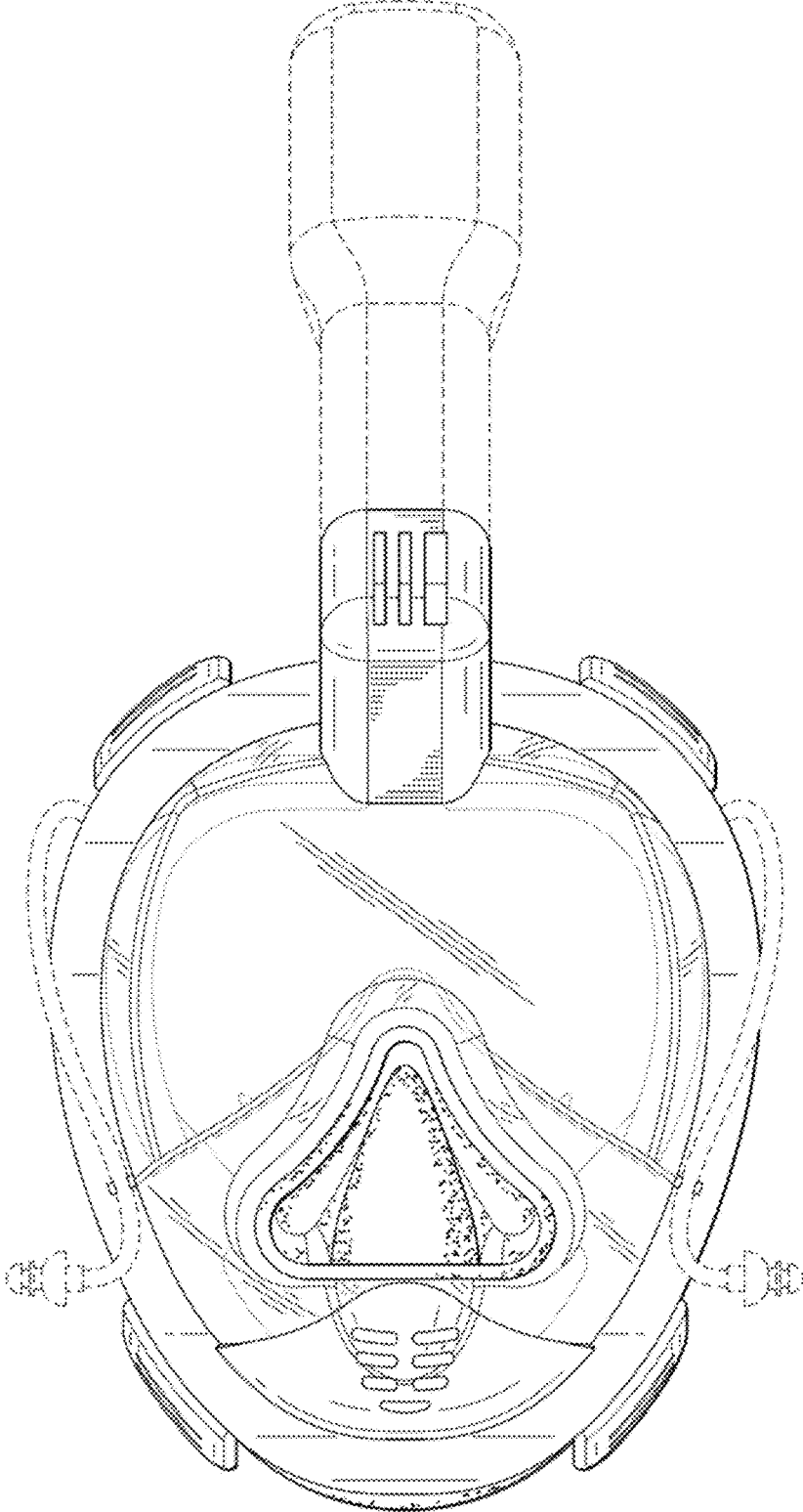


FIG. 4

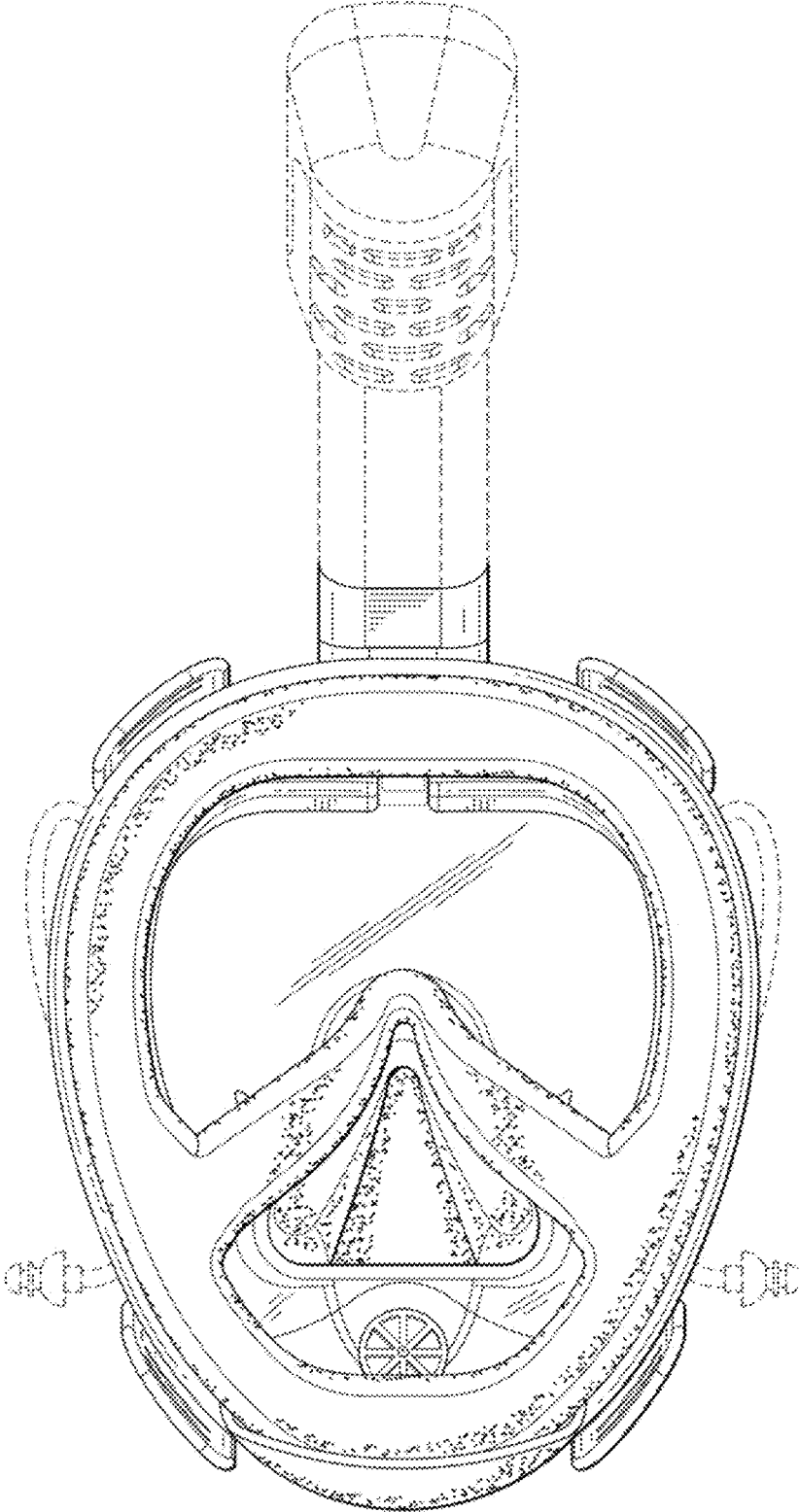


FIG. 5

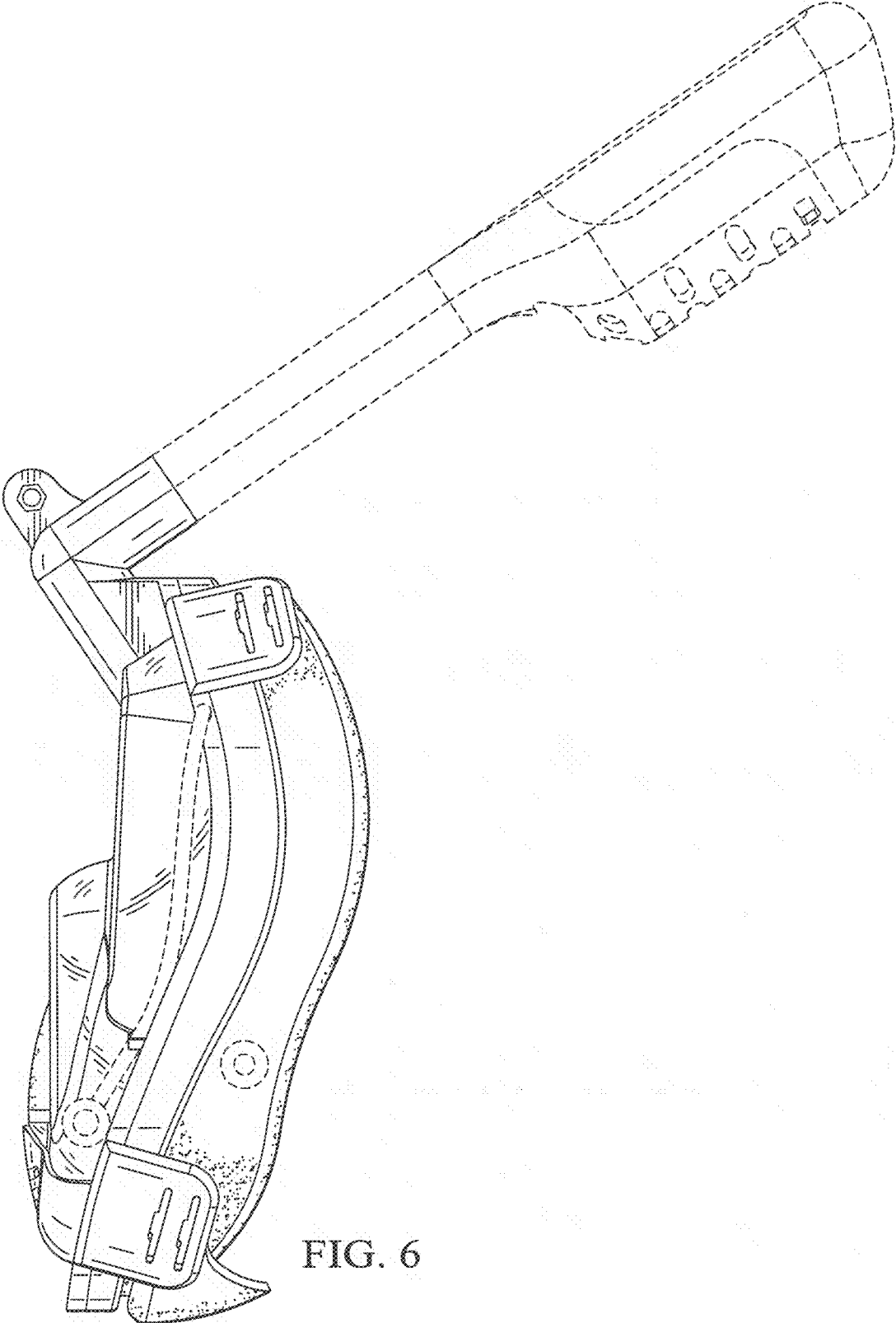


FIG. 6

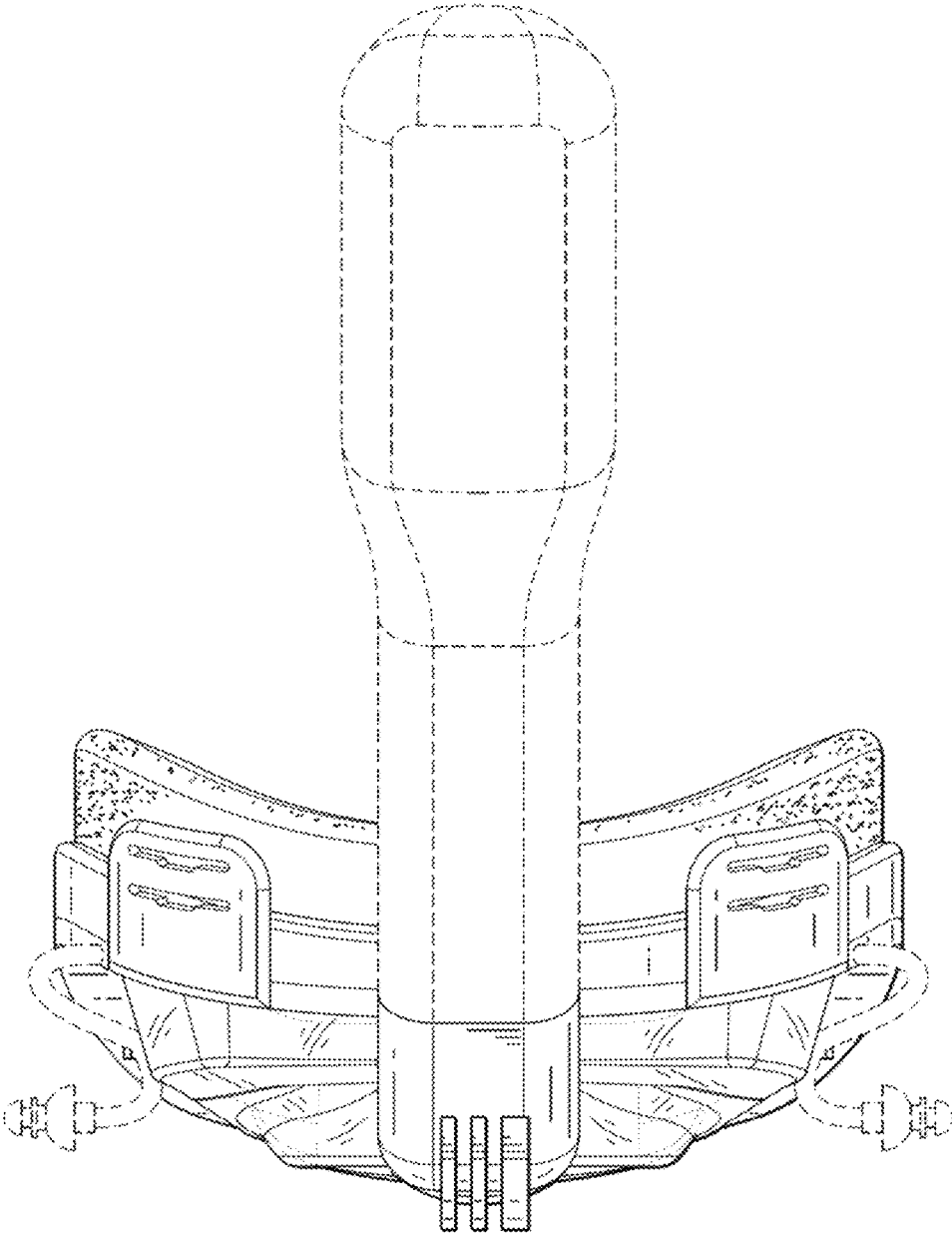


FIG. 7

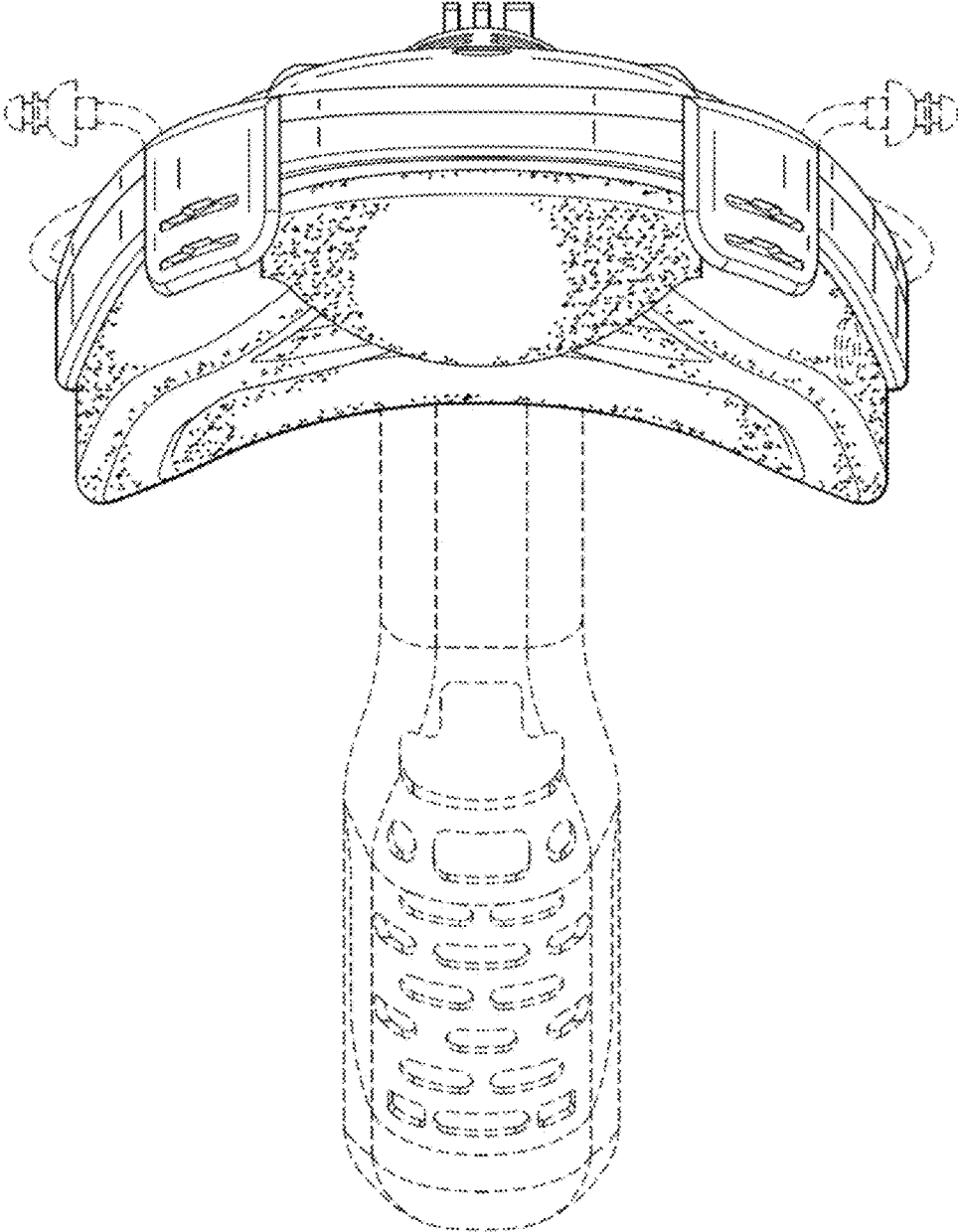


FIG. 8