



US00D632363S

(12) **United States Design Patent**  
**McKeone**

(10) **Patent No.:** **US D632,363 S**

(45) **Date of Patent:** **\*\* Feb. 8, 2011**

(54) **PLUMBING FITTING**

(75) Inventor: **William C. McKeone**, Sheboygan, WI (US)

(73) Assignee: **Kohler Co.**, Kohler, WI (US)

(\*\*) Term: **14 Years**

(21) Appl. No.: **29/279,818**

(22) Filed: **May 8, 2007**

(51) **LOC (9) Cl.** ..... **23-01**

(52) **U.S. Cl.** ..... **D23/238**

(58) **Field of Classification Search** ..... D23/200,  
D23/238-257; D6/512, 546, 550; D8/300,  
D8/307-308, 310-312, 321; 4/675-678;  
137/599.01, 615, 801; 16/110.1, 441

See application file for complete search history.

(56) **References Cited**

**U.S. PATENT DOCUMENTS**

1,510,761	A	*	10/1924	Burman	.....	137/615
1,838,290	A	*	12/1931	Steckel	.....	137/599.01
D312,118	S	*	11/1990	Son	.....	D23/238
D464,711	S	*	10/2002	Warshawsky	.....	D23/239
D492,393	S	*	6/2004	Herring et al.	.....	D23/255
D497,197	S	*	10/2004	Warshawsky	.....	D23/241
D534,992	S	*	1/2007	Lobermeier et al.	.....	D23/243
D535,356	S	*	1/2007	Kuran et al.	.....	D23/238
D540,435	S	*	4/2007	Wilcox et al.	.....	
D551,324	S	*	9/2007	Wilcox et al.	.....	D23/243
D560,762	S	*	1/2008	Eckhaus	.....	D23/249
D562,947	S	*	2/2008	Zhang	.....	D23/243

**OTHER PUBLICATIONS**

Kohler Co. "HiRise Deck-Mount Kitchen Pot Filler", Model No.: K-7323-4. Kohler Co. online catalog. Copyright 2007 Kohler Co.  
Kohler Co. "Stillness Widespread Lavatory Faucet", Model No.: K-942-4. Kohler Co. online catalog. Copyright 2007 Kohler Co.  
Danze. "Opulence" Pot Filler Kitchen Faucet. Faucet.com online catalog. Copyright 1994-2007 Decorative Product Source, Inc.

\* cited by examiner

Primary Examiner—T. Chase Nelson

Assistant Examiner—Mark Cavanna

(74) Attorney, Agent, or Firm—Quarles & Brady LLP

(57) **CLAIM**

The ornamental design for a plumbing fitting, as shown and described.

**DESCRIPTION**

In a preferred embodiment, the nature of this product is a plumbing fitting in the form of a body for a faucet such as a pot filler used to spray water into tall cookware.

FIG. 1 is a left, top, front perspective view of a plumbing fitting according to our new design;

FIG. 2 is a front elevational view thereof;

FIG. 3 is a left side elevational view thereof;

FIG. 4 is a right side elevational view thereof;

FIG. 5 is a rear elevational view thereof;

FIG. 6 is a top plan view thereof;

FIG. 7 is a bottom plan view thereof;

FIG. 8 is a right, top, front perspective view of a plumbing fitting according to another embodiment of our new design, the various views thereof being mirror images of the views shown in FIGS. 2-7;

FIG. 9 is a right, top, front perspective view of a plumbing fitting according to another embodiment of our new design;

FIG. 10 is a front elevational view thereof;

FIG. 11 is a right side elevational view thereof;

FIG. 12 is a left side elevational view thereof;

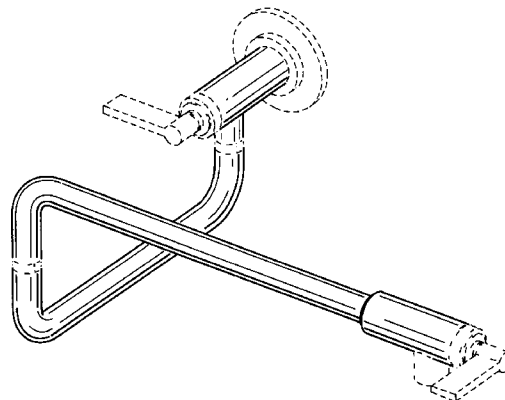
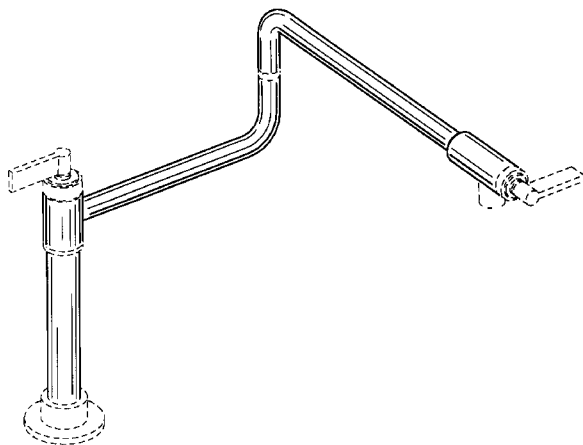
FIG. 13 is a top plan view thereof;

FIG. 14 is a bottom plan view thereof; and,

FIG. 15 is a left, top, front perspective view of a plumbing fitting according to another embodiment of our new design, the various views thereof being mirror images of the views shown in FIGS. 10-14.

The broken line representations in the figures, including broken line representations of handle and escutcheon environment, are for the purpose of illustration only, and form no part of the claimed design.

**1 Claim, 9 Drawing Sheets**



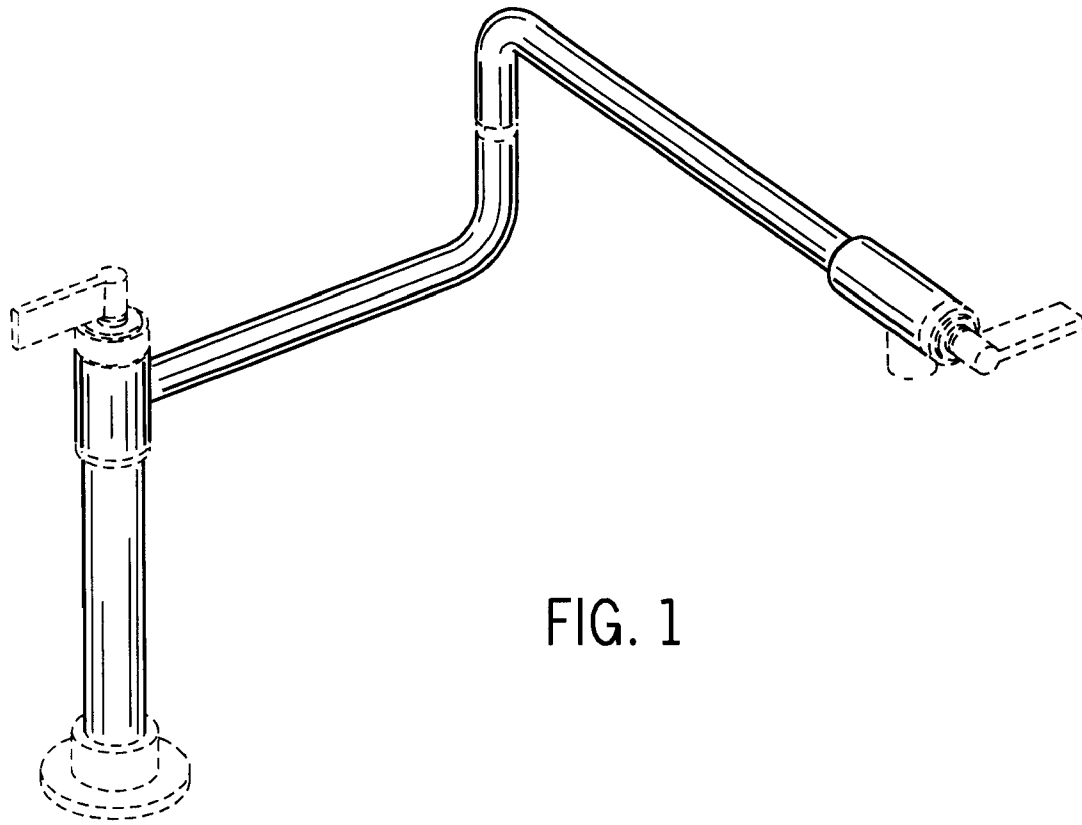


FIG. 1

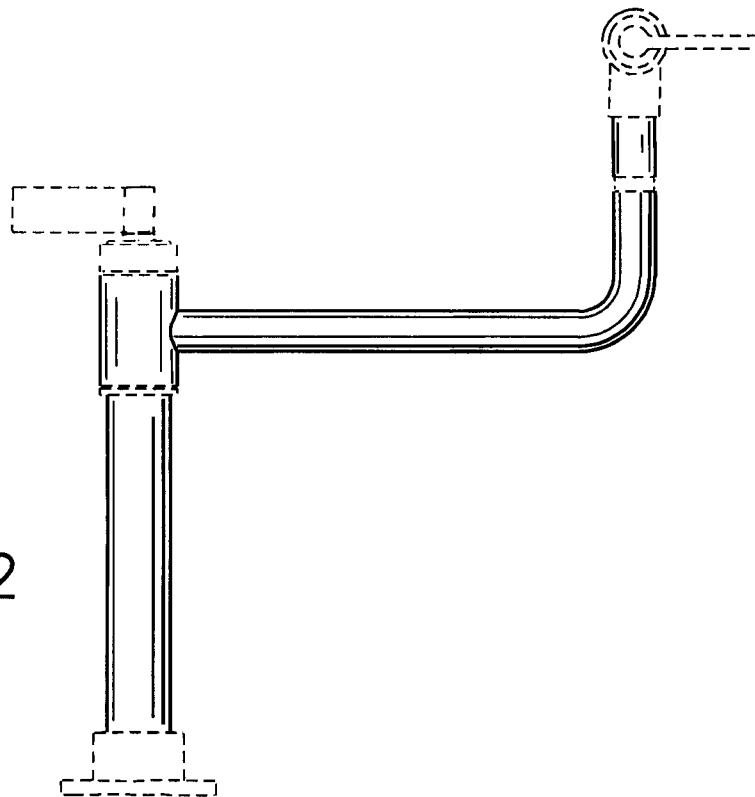


FIG. 2

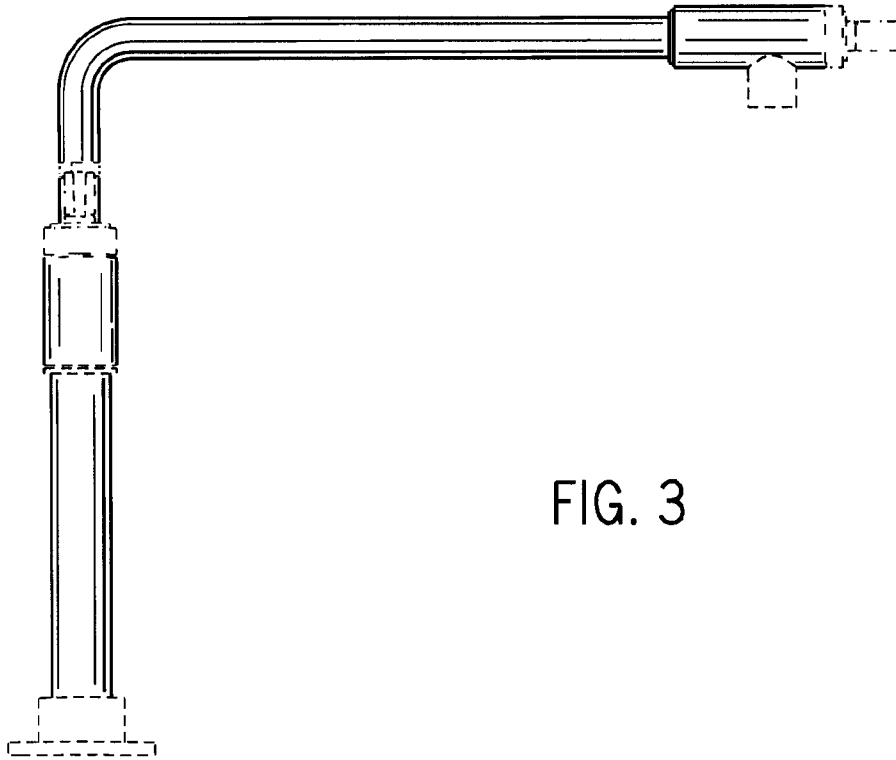


FIG. 3

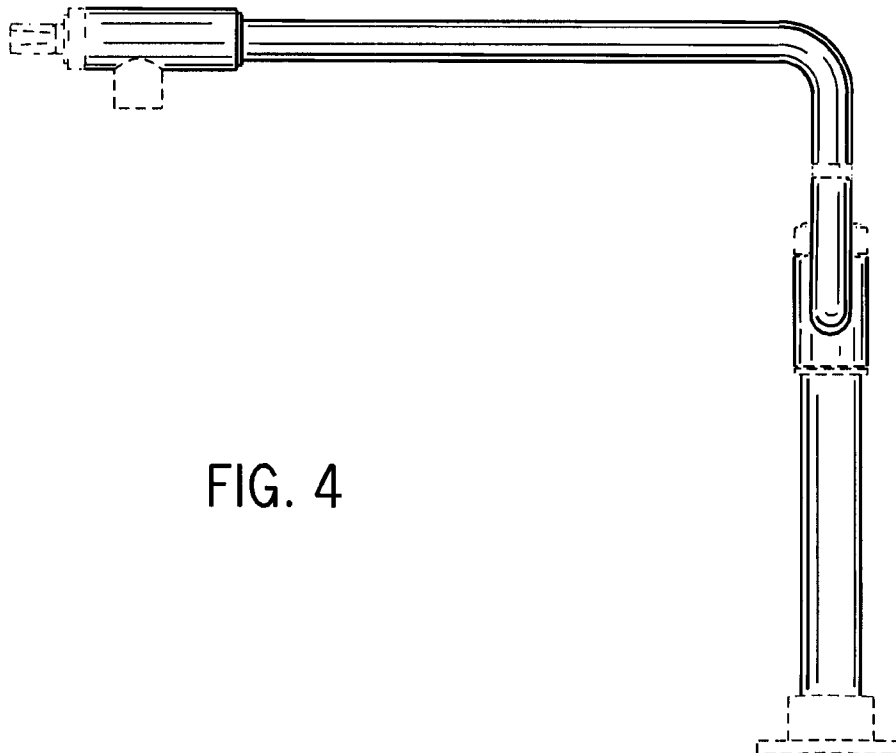
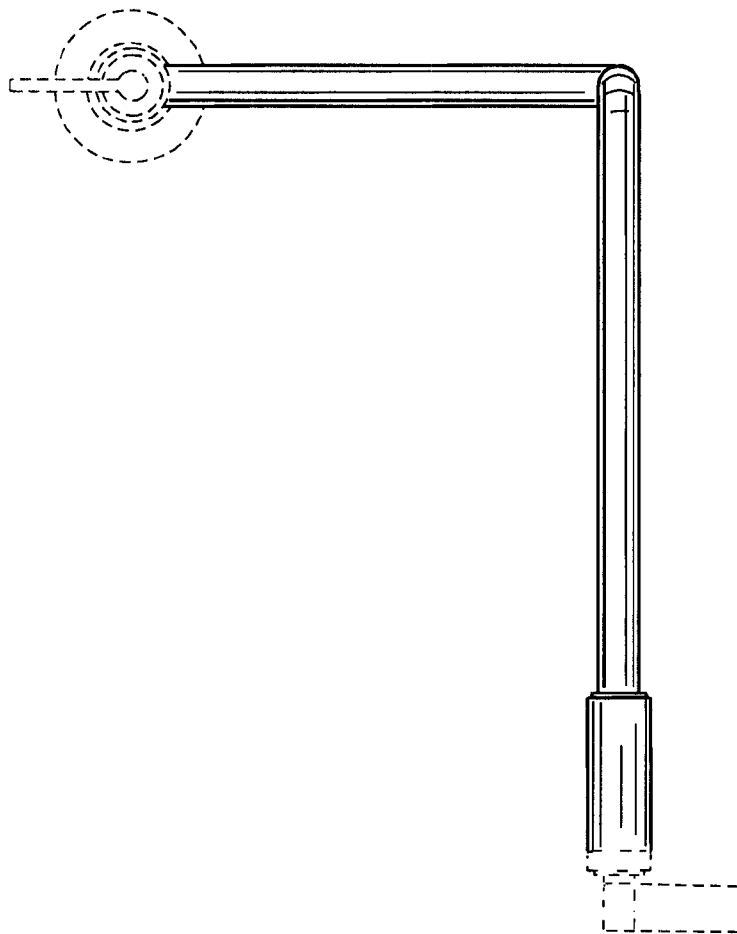
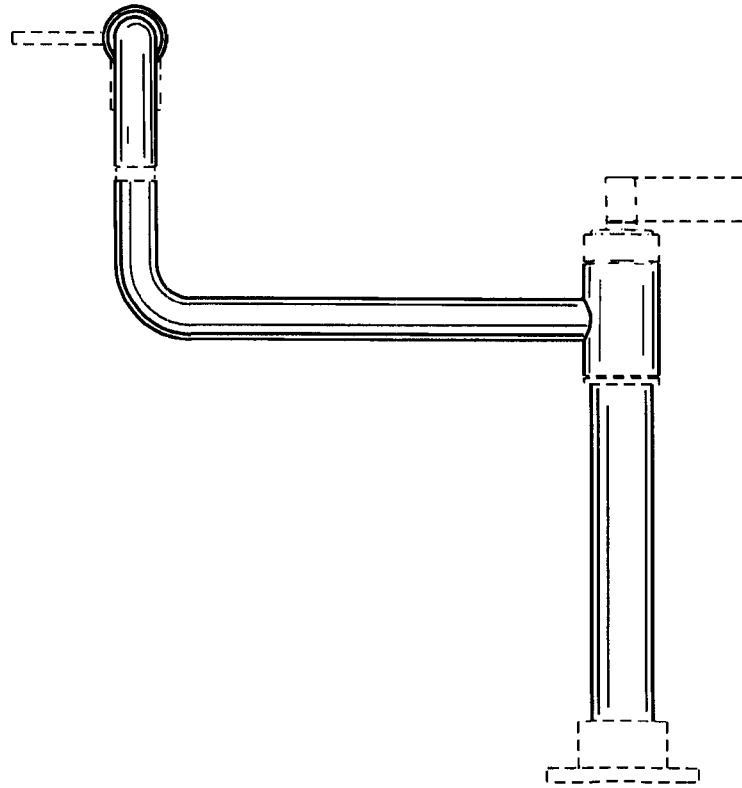


FIG. 4



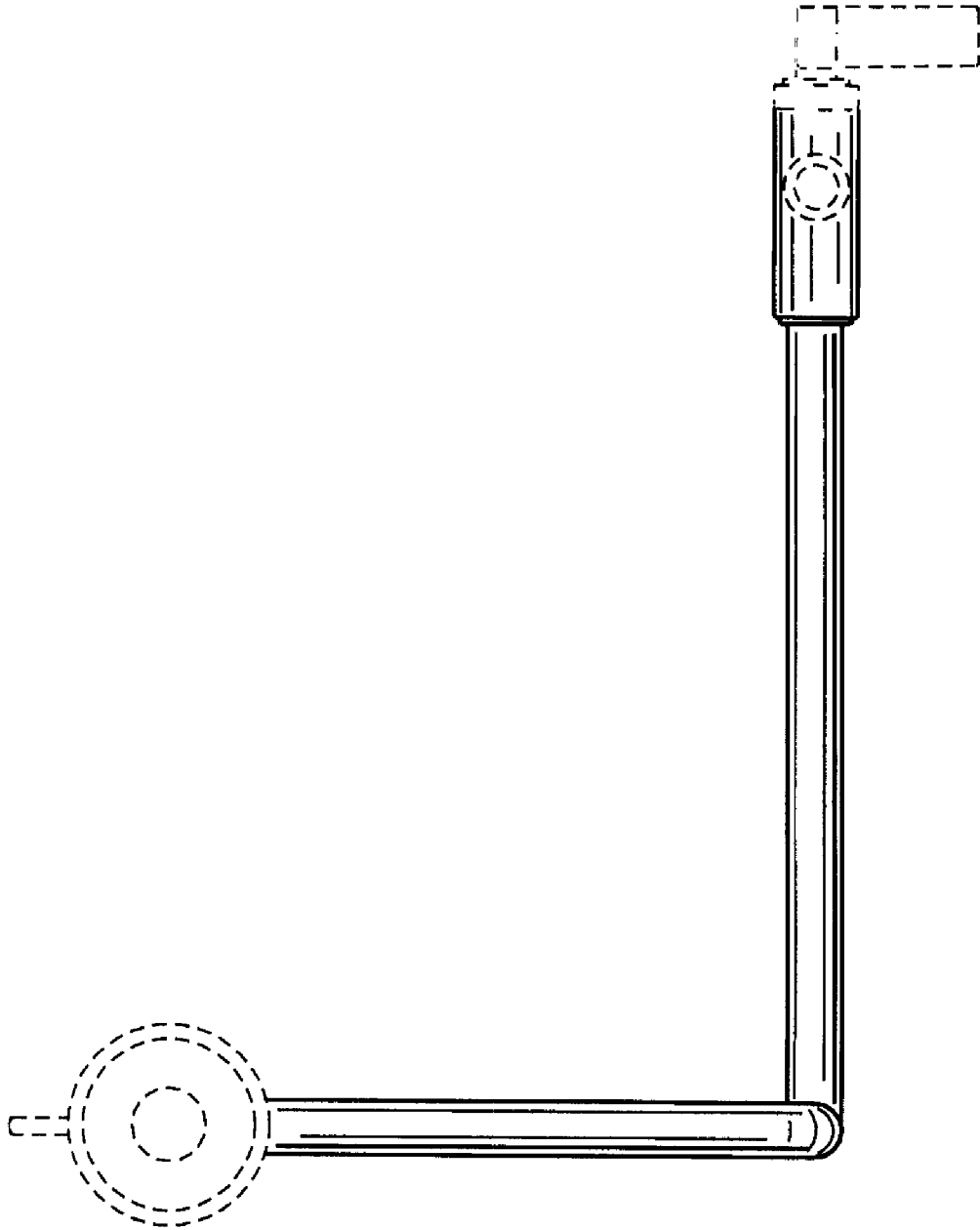


FIG. 7

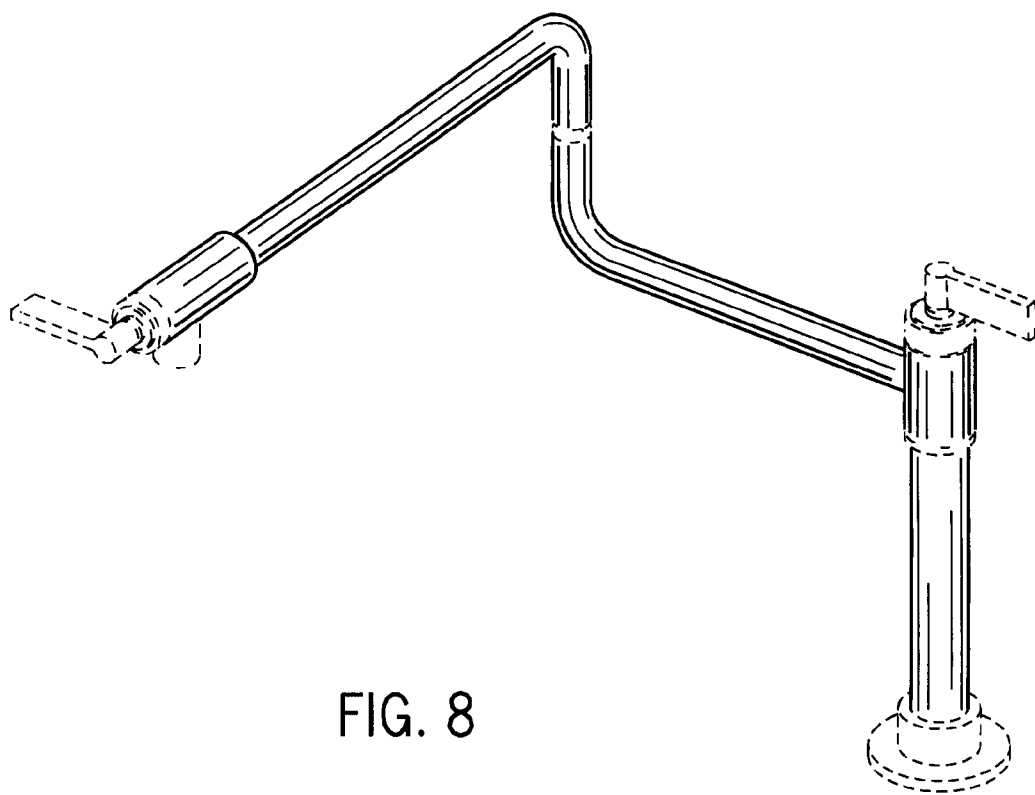


FIG. 8

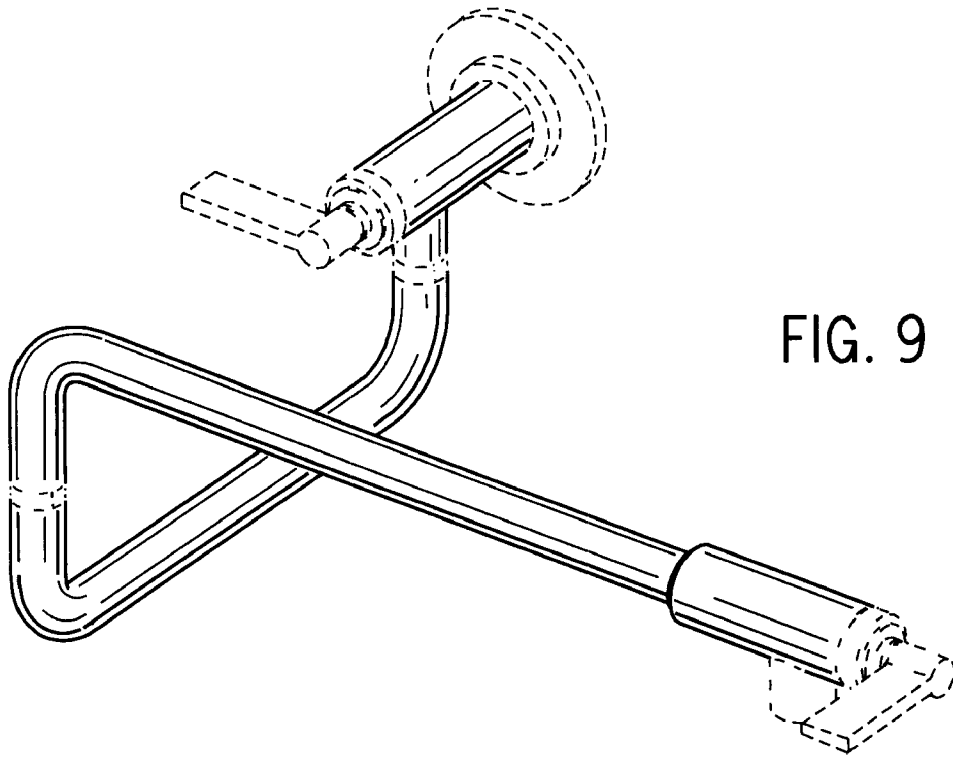


FIG. 9

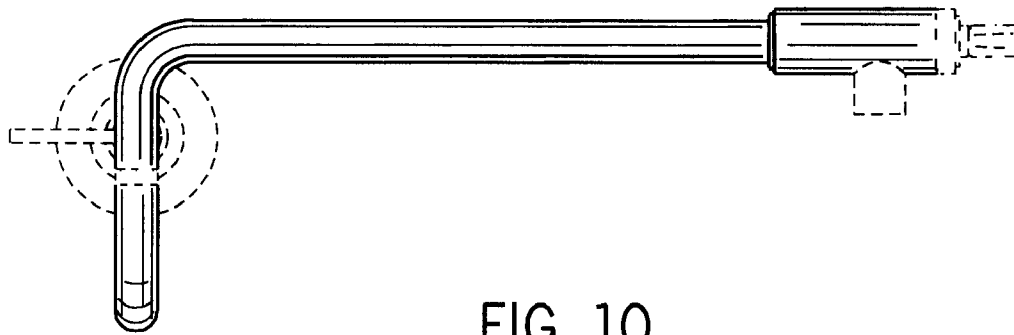


FIG. 10

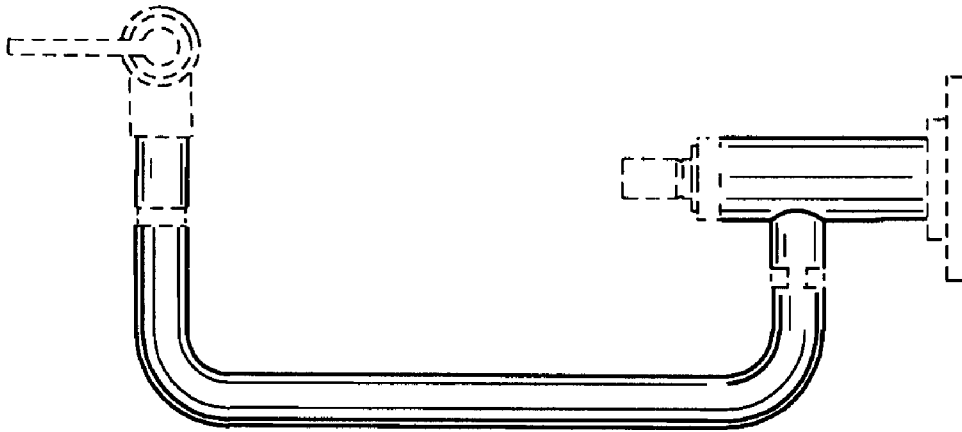


FIG. 11

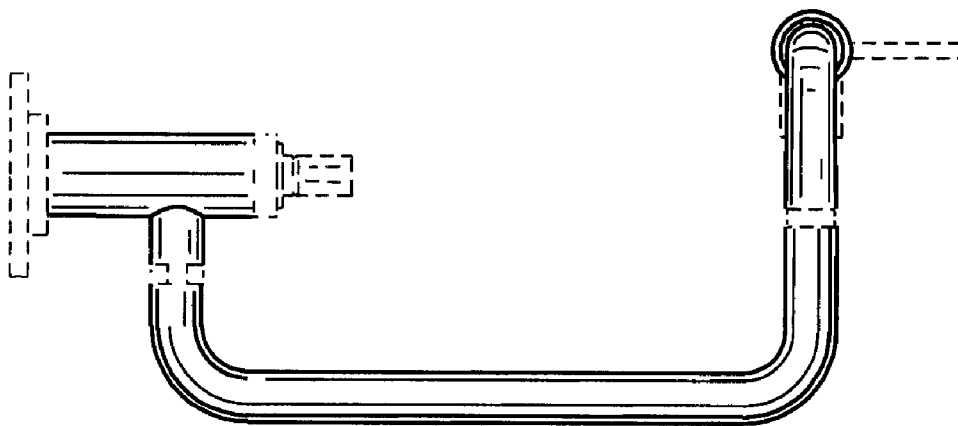
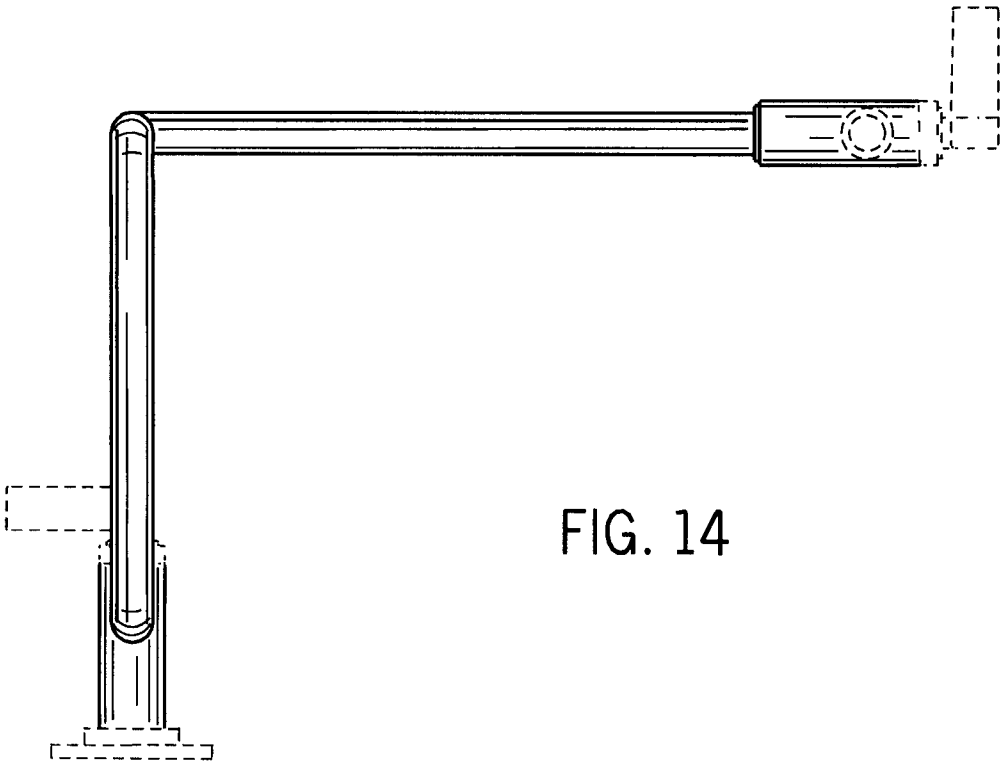
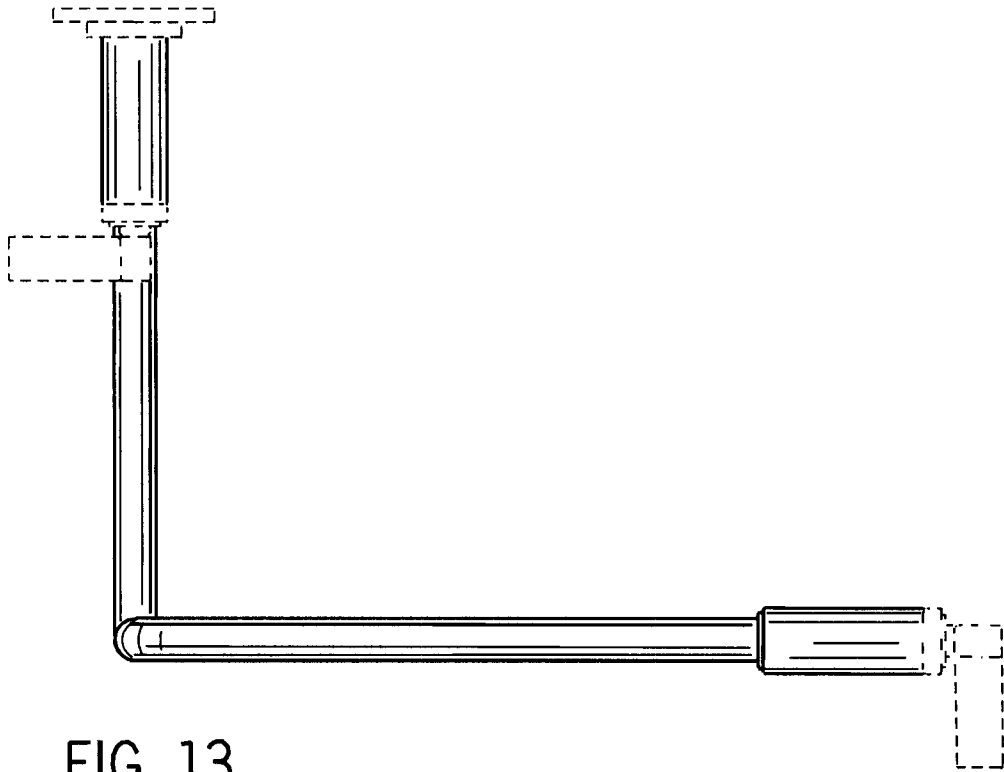


FIG. 12





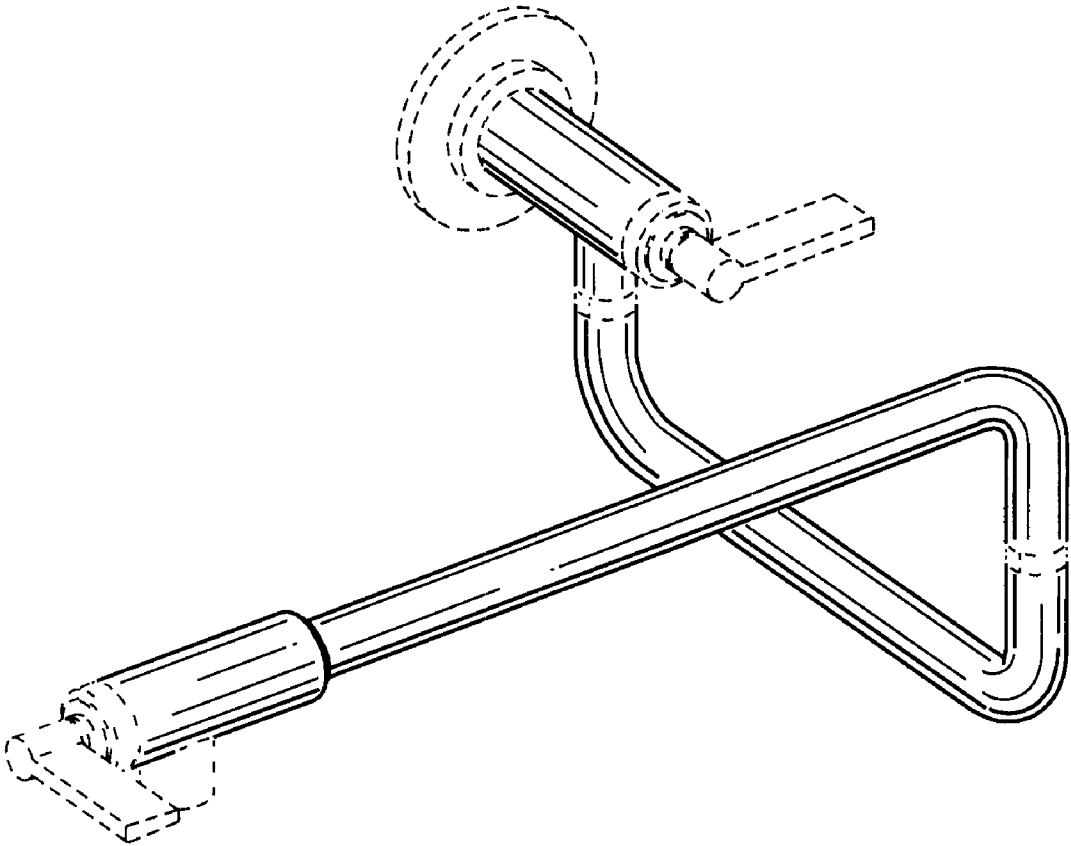


FIG. 15

UNITED STATES PATENT AND TRADEMARK OFFICE  
**CERTIFICATE OF CORRECTION**

PATENT NO. : D632,363 S  
APPLICATION NO. : 29/279818  
DATED : February 8, 2011  
INVENTOR(S) : William C. McKeone

Page 1 of 7

It is certified that error appears in the above-identified patent and that said Letters Patent is hereby corrected as shown below:

Delete the title page showing illustrative figures and substitute the attached title page therefor.

Please replace the drawings in the issued patent (Figs. 1-15) with the drawings in the accompanying Replacement drawings (Figs. 1-8).

In the Description section on the face of the patent please amend the descriptions of Figs. 1 through 8 as follows:

FIG. 1 is a left, top, front perspective view of a plumbing fitting [according to] --showing-- our new design;

FIG. 2 is a front [elevational] view thereof;

FIG. 3 is a left side [elevational] view thereof;

FIG. 4 is a right side [elevational] view thereof;

FIG. 5 is a rear [elevational] view thereof;

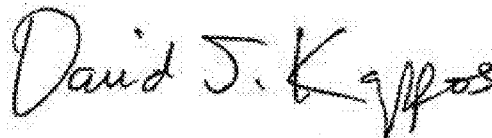
FIG. 6 is a top [plan] view thereof;

FIG. 7 is a bottom [plan] view thereof; --and--

FIG. 8 is a right, top, front perspective view of a plumbing fitting [according to another] --a second embodiment-- of our new design, the various views thereof being mirror images of the views shown in FIGS. 2-7[;]

Please remove the descriptions of Figs. 9 through 15 from the Description section on the face of the patent.

Signed and Sealed this  
Fourteenth Day of August, 2012



David J. Kappos  
*Director of the United States Patent and Trademark Office*

(12) **United States Design Patent**  
**McKeone**

(10) **Patent No.:** **US D632,363 S**  
(45) **Date of Patent:** **\*\* Feb. 8, 2011**

(54) **PLUMBING FITTING**

(75) **Inventor:** **William C. McKeone**, Sheboygan, WI (US)

(73) **Assignee:** **Kohler Co.**, Kohler, WI (US)

(\*\*) **Term:** **14 Years**

(21) **Appl. No.:** **29/279,818**

(22) **Filed:** **May 8, 2007**

(51) **LOC (9) Cl.** ..... **23-01**

(52) **U.S. Cl.** ..... **D23/238**

(58) **Field of Classification Search** ..... D23/200,  
D23/238-257; D6/512, 546, 550; D8/300,  
D8/307-308, 310-312, 321; 4/675-678;  
137/599.01, 615, 801; 16/110.1, 441  
See application file for complete search history.

(56) **References Cited**

**U.S. PATENT DOCUMENTS**

1,510,761	A *	10/1924	Burman	137/615
1,838,290	A *	12/1931	Steckel	137/599.01
D312,118	S *	11/1990	Son	D23/238
D464,711	S *	10/2002	Warsawsky	D23/239
D492,393	S *	6/2004	Herring et al.	D23/255
D497,197	S *	10/2004	Warsawsky	D23/241
D534,992	S *	1/2007	Lobermeier et al.	D23/243
D535,356	S *	1/2007	Kuran et al.	D23/238
D540,435	S	4/2007	Wilcox et al.	
D551,324	S *	9/2007	Wilcox et al.	D23/243
D560,762	S *	1/2008	Eckhaus	D23/249
D562,947	S *	2/2008	Zhang	D23/243

**OTHER PUBLICATIONS**

Kohler Co. "HiRise Deck-Mount Kitchen Pot Filler", Model No.: K-7323-4. Kohler Co. online catalog. Copyright 2007 Kohler Co.  
Kohler Co. "Stillness Widespread Lavatory Faucet", Model No.: K-942-4. Kohler Co. online catalog. Copyright 2007 Kohler Co.  
Danze. "Opulence" Pot Filler Kitchen Faucet. Faucet.com online catalog. Copyright 1994-2007 Decorative Product Source, Inc.

\* cited by examiner

*Primary Examiner*—T. Chase Nelson

*Assistant Examiner*—Mark Cavanna

(74) *Attorney, Agent, or Firm*—Quarles & Brady LLP

(57) **CLAIM**

The ornamental design for a plumbing fitting, as shown and described.

**DESCRIPTION**

In a preferred embodiment, the nature of this product is a plumbing fitting in the form of a body for a faucet such as a pot filler used to spray water into tall cookware.

FIG. 1 is a left, top, front perspective view of a plumbing fitting according to our new design;

FIG. 2 is a front elevational view thereof;

FIG. 3 is a left side elevational view thereof;

FIG. 4 is a right side elevational view thereof;

FIG. 5 is a rear elevational view thereof;

FIG. 6 is a top plan view thereof;

FIG. 7 is a bottom plan view thereof;

FIG. 8 is a right, top, front perspective view of a plumbing fitting according to another embodiment of our new design, the various views thereof being mirror images of the views shown in FIGS. 2-7;

FIG. 9 is a right, top, front perspective view of a plumbing fitting according to another embodiment of our new design;

FIG. 10 is a front elevational view thereof;

FIG. 11 is a right side elevational view thereof;

FIG. 12 is a left side elevational view thereof;

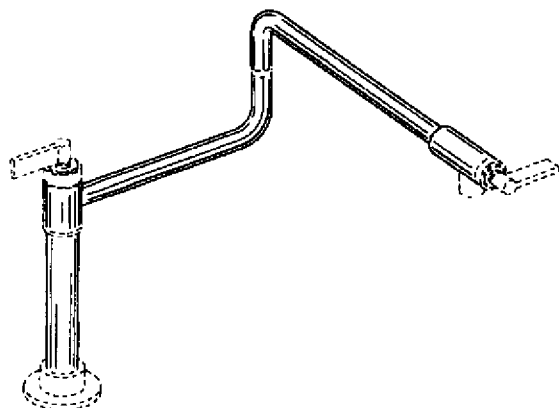
FIG. 13 is a top plan view thereof;

FIG. 14 is a bottom plan view thereof; and,

FIG. 15 is a left, top, front perspective view of a plumbing fitting according to another embodiment of our new design, the various views thereof being mirror images of the views shown in FIGS. 10-14.

The broken line representations in the figures, including broken line representations of handle and escutcheon environment, are for the purpose of illustration only, and form no part of the claimed design.

**1 Claim, 5 Drawing Sheets**



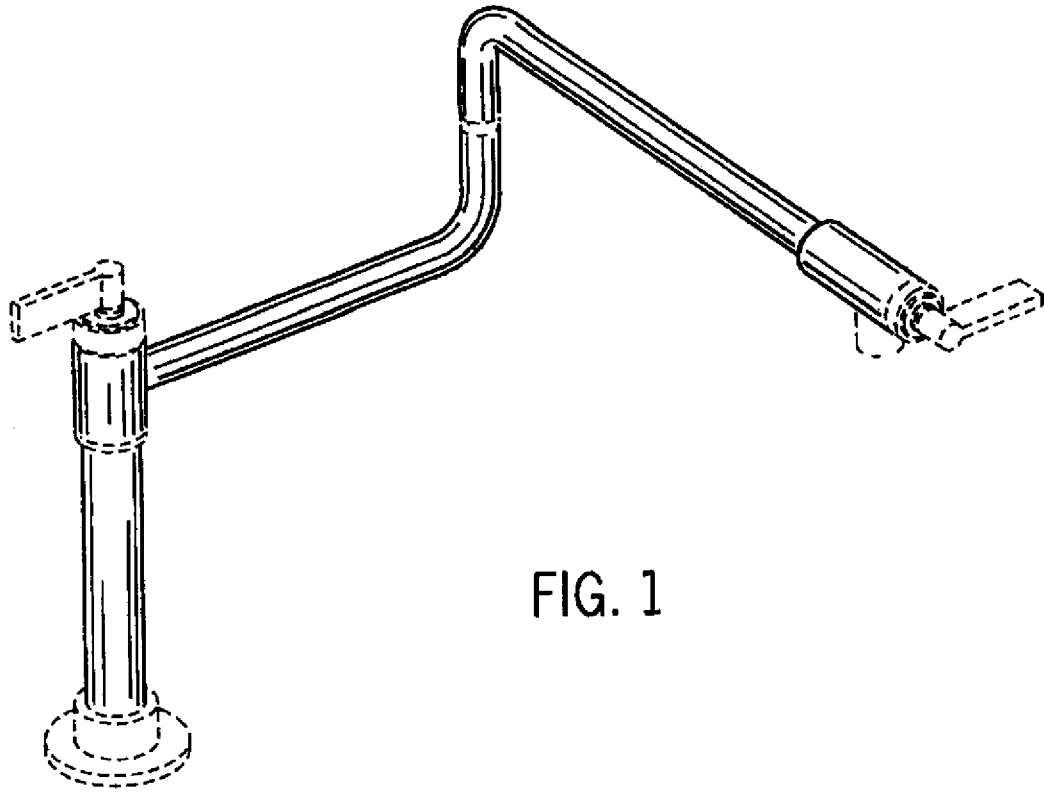


FIG. 1

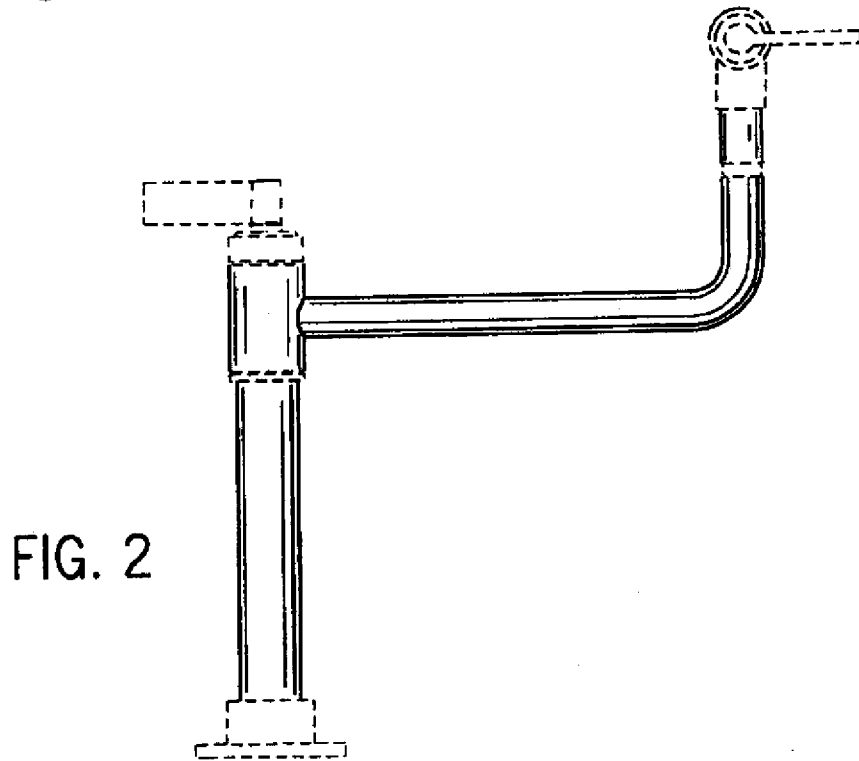


FIG. 2

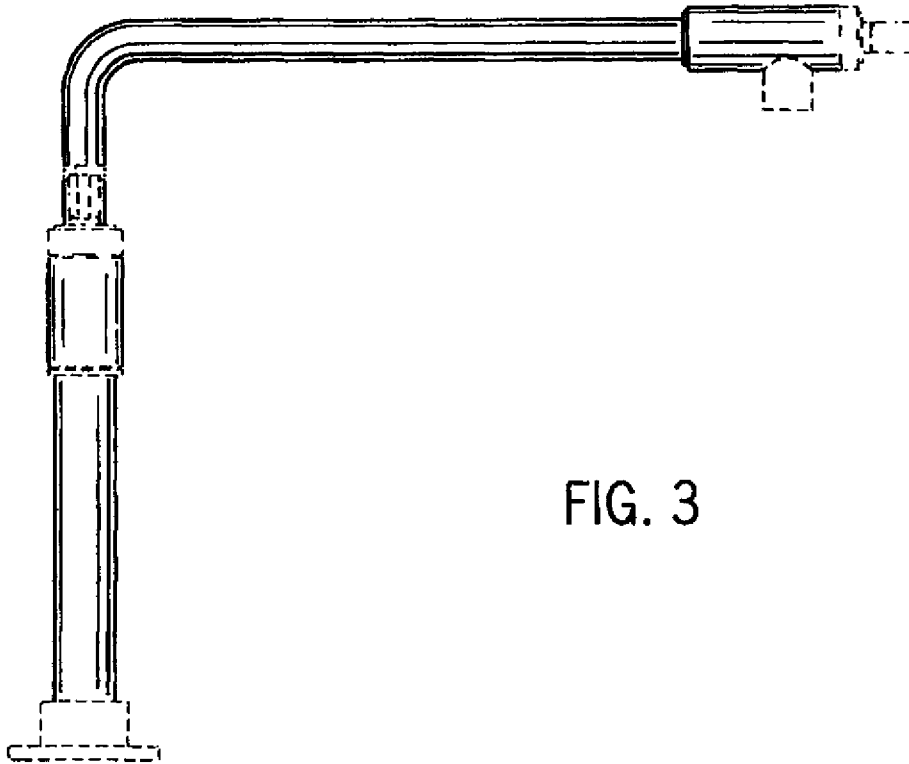


FIG. 3

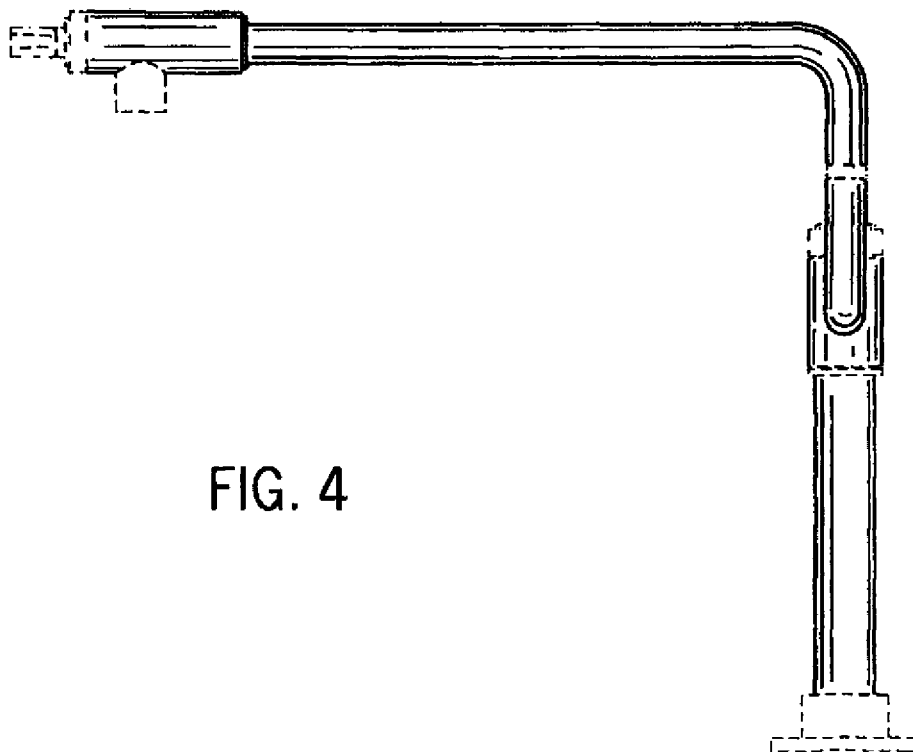


FIG. 4

FIG. 5

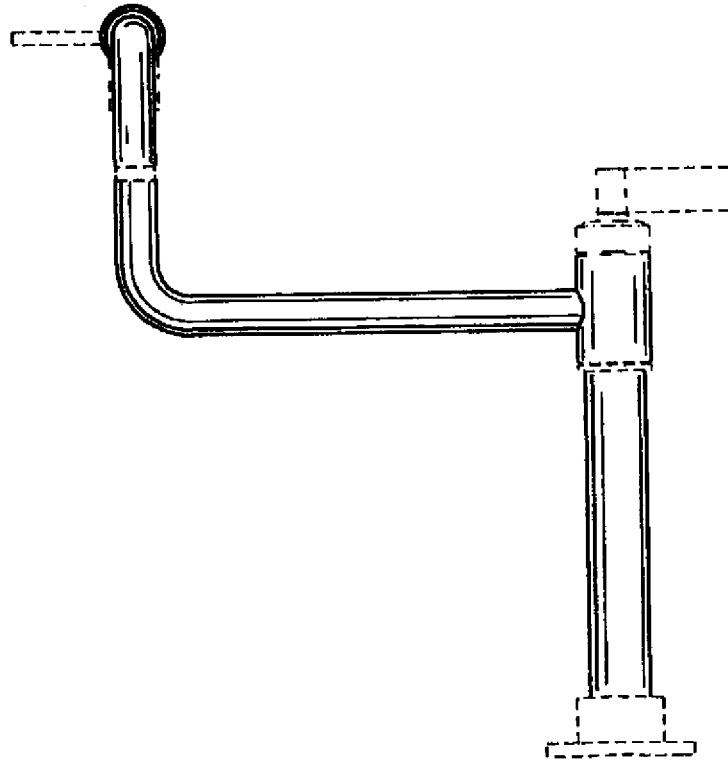
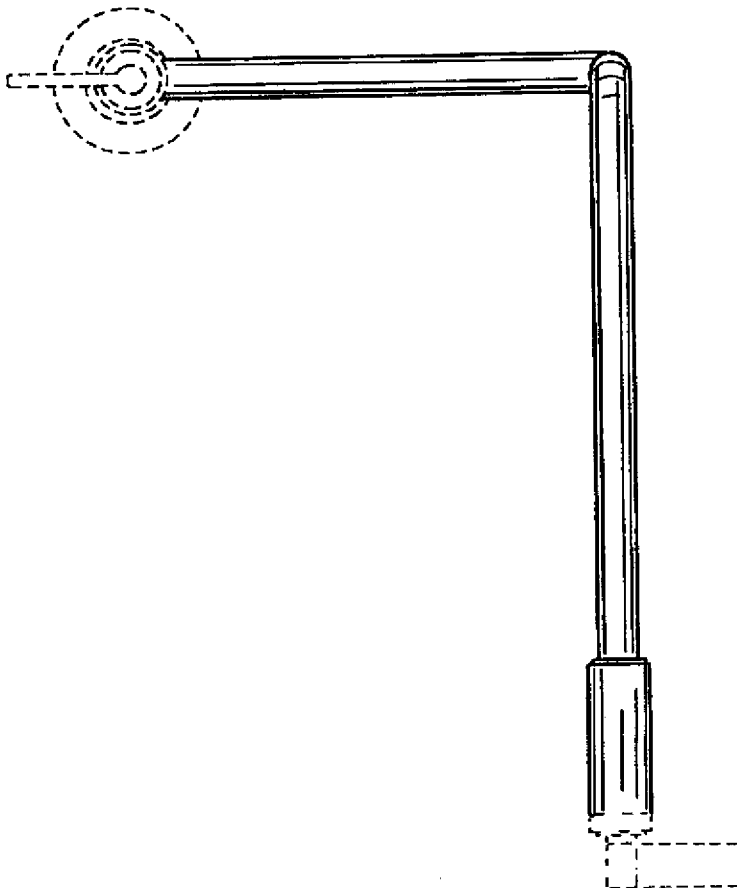


FIG. 6



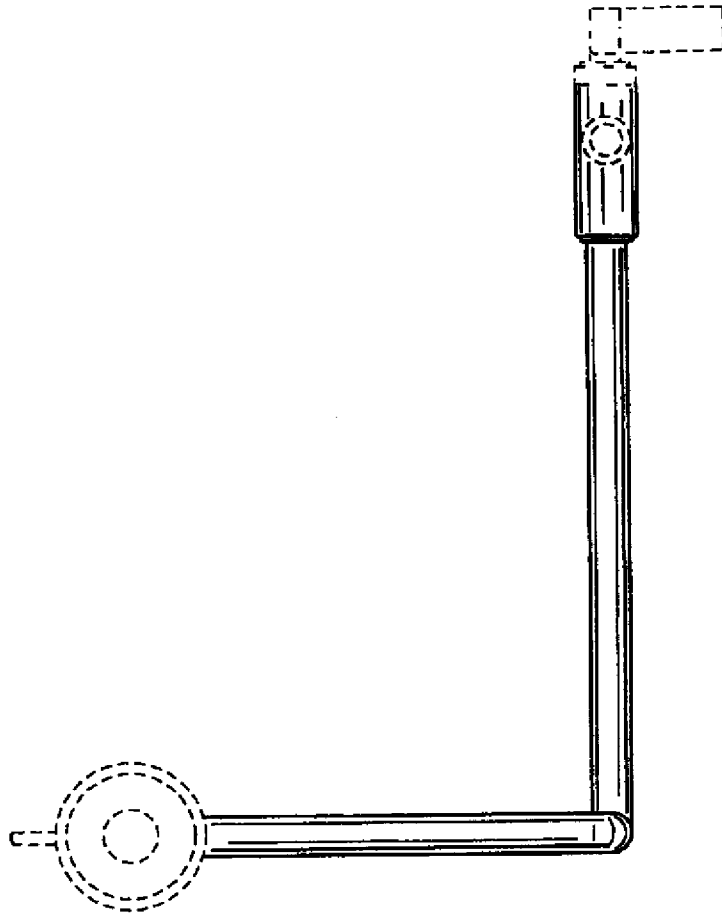


FIG. 7



