



US00D992601S

(12) **United States Design Patent** (10) **Patent No.:** **US D992,601 S**  
**Becker** (45) **Date of Patent:** **\*\* Jul. 18, 2023**

(54) **RAM-AIR INTAKE** 2012/0152632 A1\* 6/2012 Azuma ..... F02M 35/048  
180/68.3  
(71) Applicant: **Velossa Tech Engineering Inc.**, Davie, 2015/0233329 A1\* 8/2015 Morey ..... F01P 1/06  
FL (US) 123/184.53  
(72) Inventor: **Dan Joseph Becker**, Davie, FL (US) 2017/0114704 A1\* 4/2017 Morey ..... F28D 15/00  
2017/0260939 A1\* 9/2017 Williams ..... G11C 8/06  
2018/0100473 A1\* 4/2018 Kimura ..... F02M 35/10013  
2018/0112635 A1\* 4/2018 Cho ..... F02M 35/1211  
(73) Assignee: **Velossa Tech Engineering Inc.**, Davie, 2020/0032747 A1\* 1/2020 Gobbato ..... F02M 35/161  
FL (US) 2020/0079258 A1\* 3/2020 Kikuchi ..... B60N 2/5642  
2020/0132025 A1\* 4/2020 Williams ..... F02M 35/10091  
(\*\*) Term: **15 Years** 2021/0246855 A1\* 8/2021 Becker ..... F02M 35/10347  
2021/0381476 A1\* 12/2021 Karlsson ..... B01D 45/02  
2022/0145835 A1\* 5/2022 Maeda ..... F02M 35/10124

\* cited by examiner

(21) Appl. No.: **29/794,447**  
(22) Filed: **Jun. 11, 2021**  
(51) **LOC (14) Cl.** ..... **15-01**  
(52) **U.S. Cl.**  
USPC ..... **D15/5**  
(58) **Field of Classification Search**  
USPC ..... D15/1-5; D23/384, 386, 387, 393, 394,  
D23/266, 263, 262, 260, 264  
CPC ..... B60K 13/02; F02M 35/10013; F02M  
35/10262; F02M 35/104; F02M  
35/10026; F02M 35/10078; F02M  
35/10091  
See application file for complete search history.

*Primary Examiner* — Ania Aman  
(74) *Attorney, Agent, or Firm* — Bekiares Eliezer LLP

(57) **CLAIM**

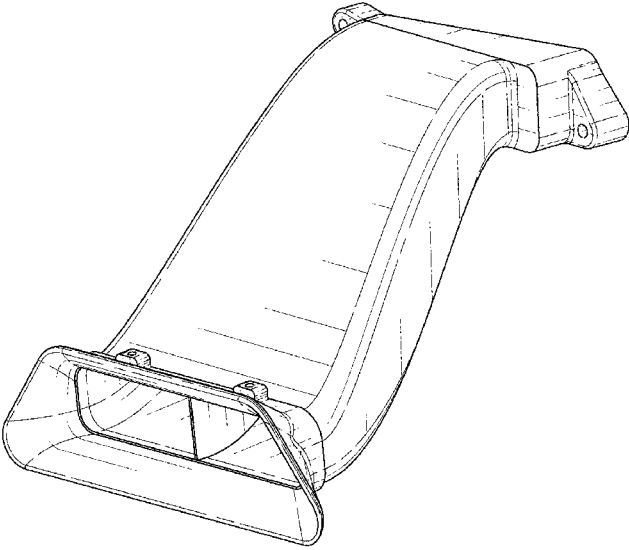
The ornamental design for a ram-air intake, as shown and described.

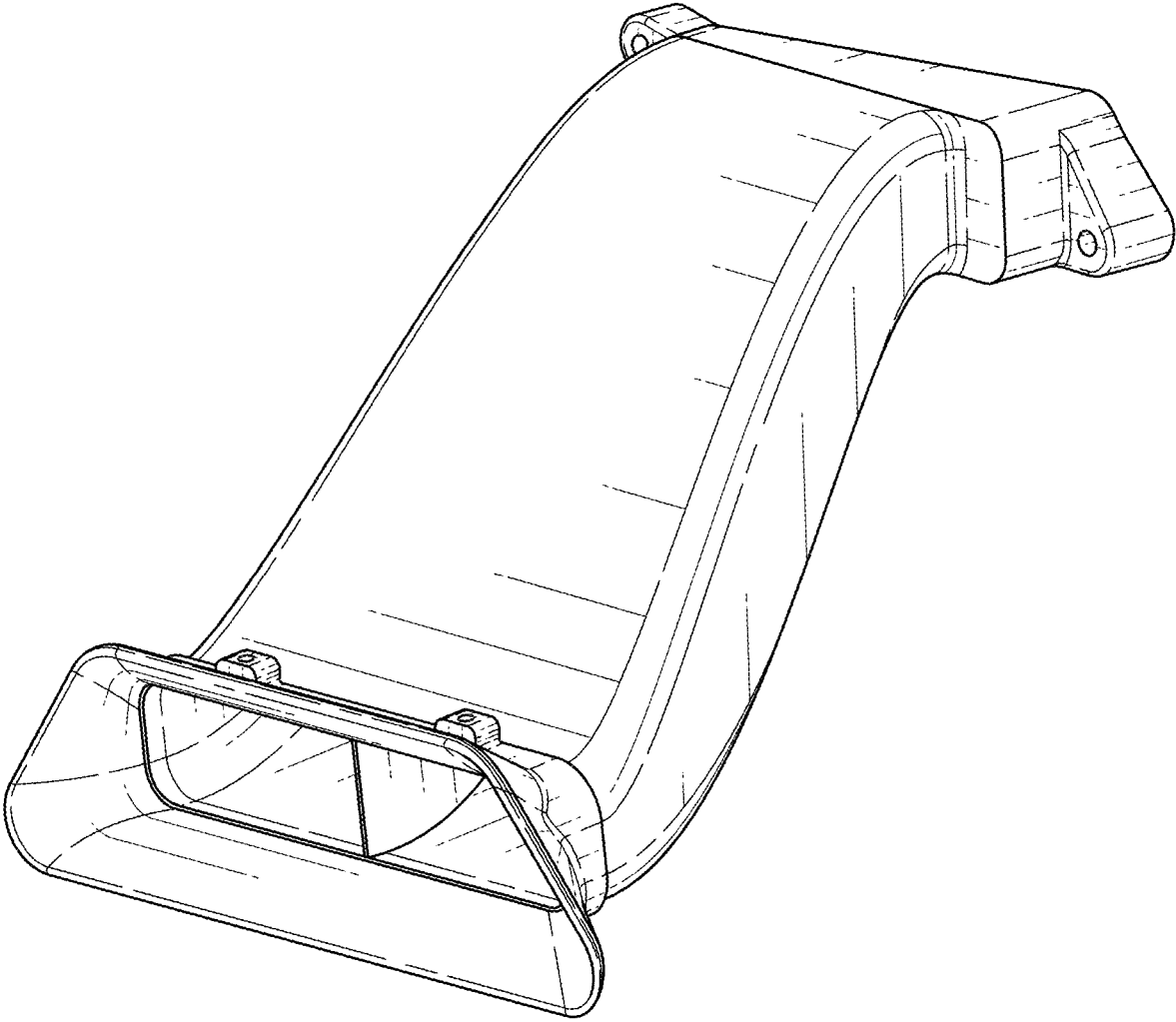
**DESCRIPTION**

This application is related to U.S. Design application Ser. No. 29/794,450 filed on Jun. 11, 2021 entitled “Ram-Air Intake” and U.S. Design application Ser. No. 29/794,452 filed on Jun. 11, 2021 entitled “Ram-Air Intake”, which are assigned to the same Assignee as this application.  
FIG. 1 is a perspective view of a ram-air intake showing my new design;  
FIG. 2 is a first side view thereof;  
FIG. 3 is a second side view thereof;  
FIG. 4 is a top view thereof;  
FIG. 5 is a bottom view thereof;  
FIG. 6 is a back view thereof; and,  
FIG. 7 is a front view thereof.  
The broken lines illustrate portions of the ram-air intake that do not form a part of the claimed design.

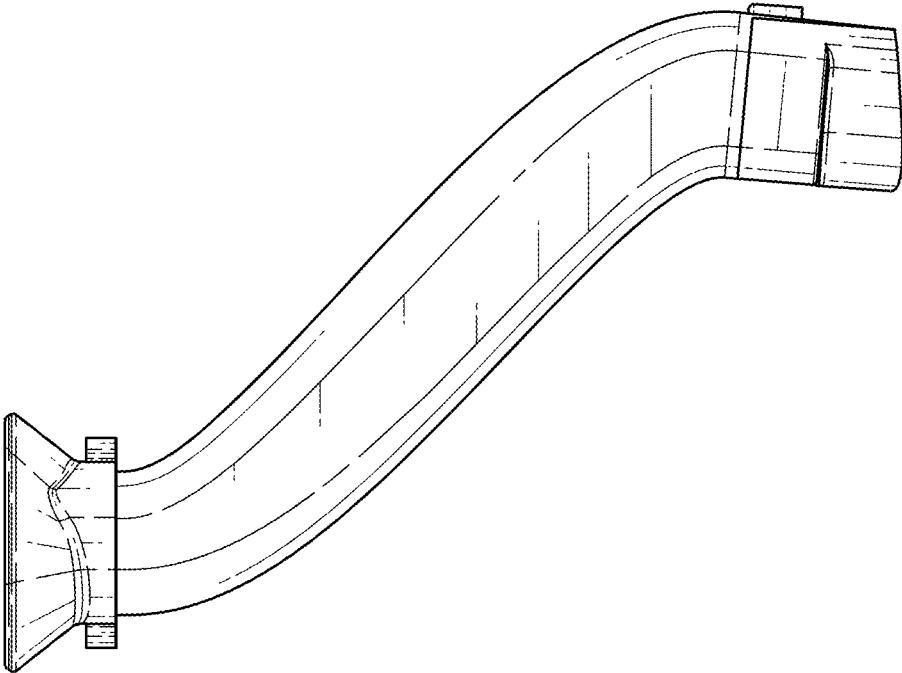
(56) **References Cited**  
U.S. PATENT DOCUMENTS  
9,909,542 B2\* 3/2018 Rother ..... F02M 35/10144  
2005/0215191 A1\* 9/2005 Kino ..... B60K 13/02  
454/143  
2006/0006011 A1\* 1/2006 Khouw ..... B60K 13/02  
180/68.3  
2006/0006012 A1\* 1/2006 Khouw ..... F02M 35/04  
180/68.3  
2009/0255501 A1\* 10/2009 Honzawa ..... F02M 35/10013  
123/184.53  
2010/0229817 A1\* 9/2010 Hirai ..... F02M 35/10131  
123/184.21  
2012/0145272 A1\* 6/2012 Chu ..... F02M 35/10268  
138/111

**1 Claim, 7 Drawing Sheets**

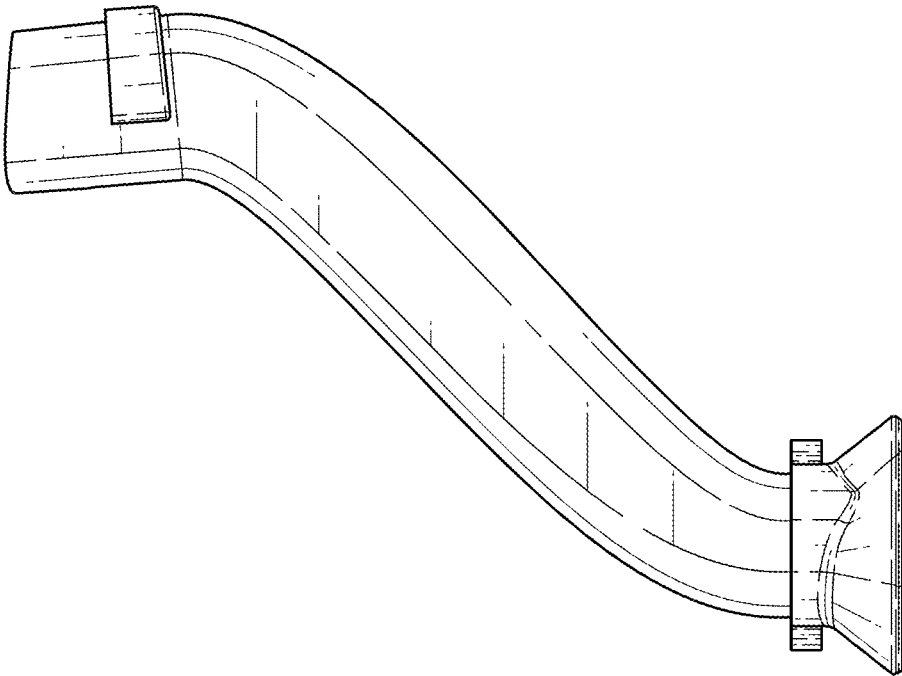




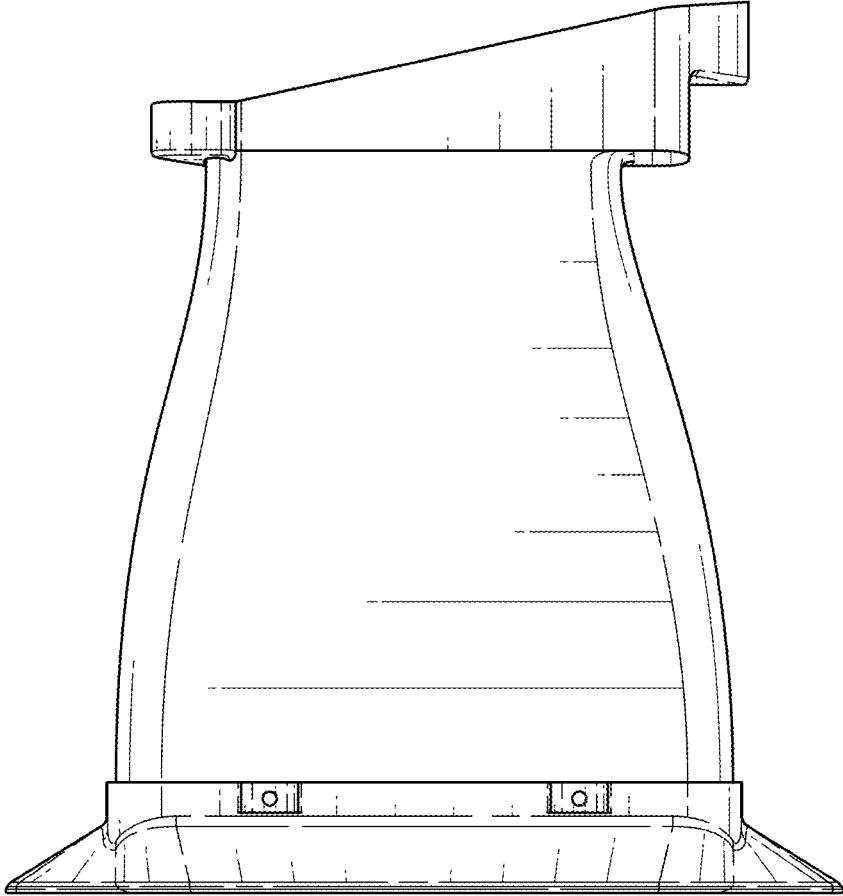
**FIG. 1**



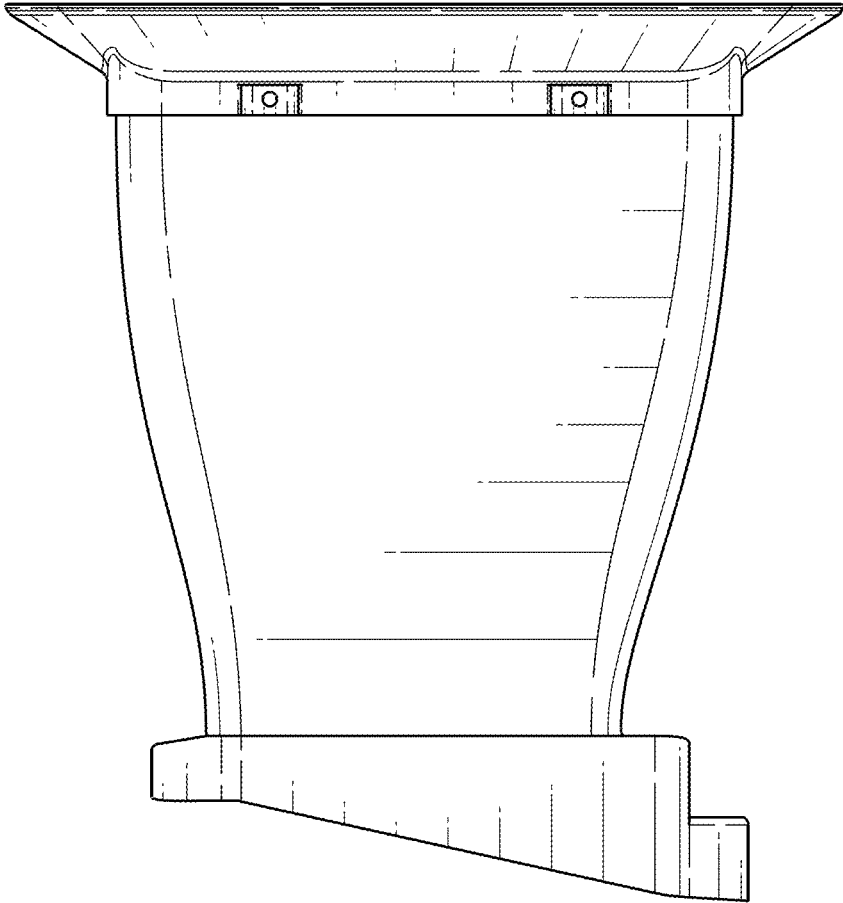
**FIG. 2**



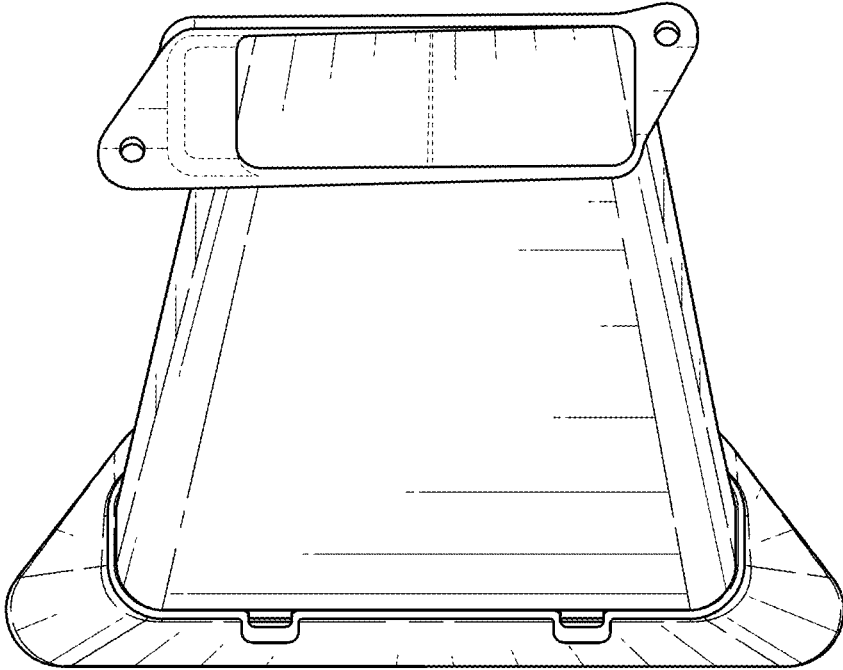
**FIG. 3**



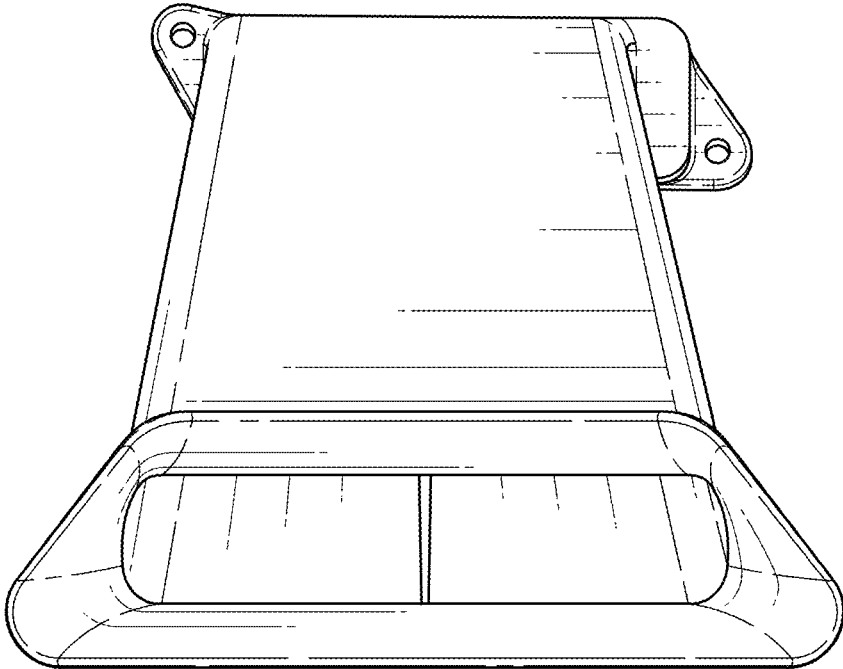
**FIG. 4**



**FIG. 5**



**FIG. 6**



**FIG. 7**